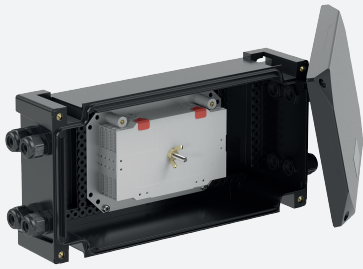


FO Splice Boxes in Glass Fiber Reinforced Polyester

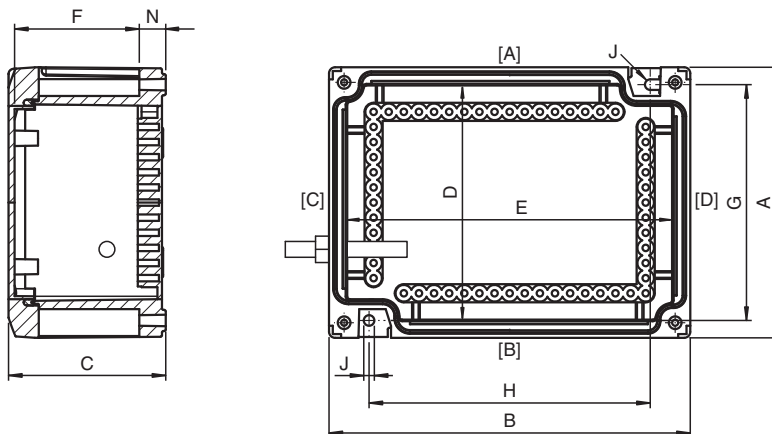
GR.TFO.18.36.10.B-S0002



- Safe protection of fiber optic cable splices in hazardous areas
- Installation in Zone 1, Zone 2, Zone 21 and Zone 22
- Ex op pr and Ex tb certified
- Carbon loaded, antistatic glass fiber reinforced polyester
- 179 mm x 359 mm x 104 mm
- Modern design with high impact resistance
- Easy installation due to easily accessible mounting points
- Easy cover opening without damage due to multiple pry points
- Left side cable gland polyamide, 2x M20; right side cable gland polyamide, 2x M20



Dimensions



Release date: 2020-05-11 Date of issue: 2020-05-11 Filename: 320197_eng.pdf

Refer to "General Notes Relating to Pepperl+Fuchs Product Information".

Pepperl+Fuchs Group
www.pepperl-fuchs.com

USA: +1 330 486 0002
pa-info@us.pepperl-fuchs.com

Germany: +49 621 776 2222
pa-info@de.pepperl-fuchs.com

Singapore: +65 6779 9091
pa-info@sg.pepperl-fuchs.com

PEPPERL+FUCHS

Dimension values see data table.

Image and drawing are generic for this device type and may deviate from the specific variant.

Legend	
A	Height
B	Width
C	Depth
D	Internal height
E	Internal width
F	Internal depth
G	Mounting holes distance, vertical
G1	Mounting holes distance to middle hole 1, vertical (not with all variants)
G2	Mounting holes distance to middle hole 2, vertical (not with all variants)
H	Mounting holes distance, horizontal
H1	Mounting holes distance to middle hole 1, horizontal (not with all variants)
H2	Mounting holes distance to middle hole 2, horizontal (not with all variants)
J	Mounting holes diameter
N	Thickness of mounting brackets
[A] ... [D]	Cable entry faces

Technical Data

Mechanical specifications

Enclosure cover	fully detachable
Cover fixing	
Screws	M6 stainless steel combination Phillips and slotted screw
Number	4
Tightening torque	3.5 Nm
Cover seal	foamed silicone
Degree of protection	IP66
Cable entry	thru-holes
Cable entry face C	
M20 quantity	2
M20 series	Cable Glands, Plastic
M20 type	CG.PEDS.M20.*
M20 clamping range	6 ... 12 mm
Cable entry face D	
M20 quantity	2
M20 series	Cable Glands, Plastic
M20 type	CG.PEDS.M20.*
M20 clamping range	6 ... 12 mm
Material	
Enclosure	carbon loaded, antistatic glass fiber reinforced polyester (GRP)
Finish	inherent color black
Grounding plate	2 mm brass optional
Mass	approx. 2.4 kg
Dimensions	
External dimension (A)	179 mm
External dimension (B)	359 mm
External dimension (C)	104 mm
Internal dimension (D)	156 mm
Internal dimension (E)	336 mm
Internal dimension (F)	71.5 mm
Mounting holes distance (G)	156 mm

Release date: 2020-05-11 Date of issue: 2020-05-11 Filename: 320197_eng.pdf

Refer to "General Notes Relating to Pepperl+Fuchs Product Information".

Pepperl+Fuchs Group
www.pepperl-fuchs.com

USA: +1 330 486 0002
pa-info@us.pepperl-fuchs.com

Germany: +49 621 776 2222
pa-info@de.pepperl-fuchs.com

Singapore: +65 6779 9091
pa-info@sg.pepperl-fuchs.com

 PEPPERL+FUCHS

Technical Data

Mounting holes distance (H)	306 mm
Mounting holes diameter (J)	7 mm
Thickness of mounting brackets (N)	18 mm
Mounting	4 screws
Grounding	none as standard optional M6 or M8 internal/external brass nickel-plated grounding bolt optional M6 or M8 internal/external stainless steel grounding bolt
Fiber optic splice tray	
Number	2
Dimensions	155 mm x 92 mm x 8 mm
Quantity of splice connections per tray	12
Type of splices	fusion with 60 mm heatshrink protectors
Fiber optic splicing protection holders per tray	2 for heatshrink splice protectors 60 mm, 6 splices each
Fiber optic strain relief per tray	2 for 12 fibers each with 0.9 mm and 1.1 mm coating
Fiber optic cables min. bending radius	35 mm
Fiber optic cables frequency range	10 ... 10000 MHz
Standards	DIN 47662 and Telecom standards
Ambient conditions	
Ambient temperature	-40 ... 65 °C (-40 ... 149 °F)
Data for application in connection with hazardous areas	
EU-type examination certificate	CML 17 ATEX 3255X BASEEFA 14 ATEX 0368U
Marking	⊕ II 2 GD Ex op pr IIC T* Gb Ex tb IIIC T** °C Db T6/T80 °C @ Ta +40 °C T5/T95 °C @ Ta +55 °C T4/T130 °C @ Ta +65 °C
International approvals	
IECEx approval	IECEx CML 17.0144X IECEx BAS 14.0169U
CCoE approval	PESO A/P/HQ/KA/104/5627 (P432459)
IA approval	MASC S/18-1639X
Conformity	
Degree of protection	EN 60529
CE marking	0102
General information	
Supplementary information	EC-Type Examination Certificate, Statement of Conformity, Declaration of Conformity, Attestation of Conformity and instructions have to be observed where applicable. For information see www.pepperl-fuchs.com .
Accessories	
Optional accessories	M6 or M8 internal/external brass nickel-plated grounding bolts M6 or M8 internal/external stainless steel grounding bolts