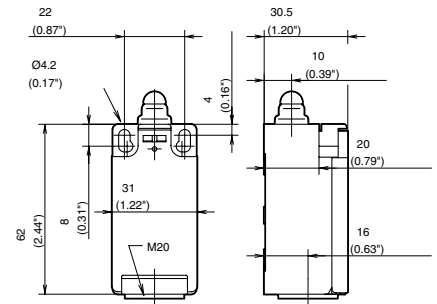




I88

- Plastic bodied
- DIN housing
- Galvanically isolated contacts
- UL, CSA approved
- Choice of many actuator styles
- Sealed to IP65



I88 RANGE

Part No.	608.6103.008	608.6303.011	608.6803.013	608.6603.046	608.6803.014	608.6153.012
Model	I88-U1Zw	I88-UV1Zw	I88-A2Zw	I88-UV15Zw	I88-E2w	I88-SU1Zw
Dimensions						
Contact arrangement						
Rated isolation voltage	500Vac	500Vac	400Vac	400Vac	400Vac	500Vac
Permanent current	10A	10A	6A	6A	6A	10A
Contact action	Slow make & break	Slow make & break	Slow make & break	Slow make & break	Slow make & break	Snap action
Galvanically isolated contacts	Yes	Yes	Yes	Yes	No	Yes
Forced break	Yes	Yes	Yes	Yes	No	Yes
Max switching frequency	100/min					
Mechanical life - No of switching cycles	10x10 ⁶	10x10 ⁶	1x10 ⁶	1x10 ⁶	1x10 ⁶	10x10 ⁶
Approvals	UL, CSA					
Operating temp	-30°C to +80°C					
Weight	0.06kg					

Part No.	608.6127.025	608.6177.026
Model	I88-U1ZDGKw	I88-SU1ZDGKw
Dimensions		
Contact arrangement		
Rated isolation voltage	500Vac	
Permanent current	10A	
Contact action	Slow make & break	Snap action
Galvanically isolated contacts	Yes	
Forced break	Yes	
Max switching frequency	100/min	
Mechanical life - No. of switching cycles	10x10 ⁶	
Approvals	UL, CSA	
Operating temperature	-30°C to +80°C	
Weight	0.07kg	

188 RANGE

Part No.	608.6117.017	608.6167.018	608.6117.050	608.6167.051	608.6121.021	608.6171.022
Model	I88-U1ZRiwK	I88-SU1ZRiwK	I88-U1ZRiwL	I88-SU1ZRiwL	I88-U1ZHw	I88-SU1ZHw
Dimensions						
Contact arrangement						
Rated isolation voltage	500Vac					
Permanent current	10A					
Contact action	Slow make & break	Snap action	Slow make & break	Snap action	Slow make & break	Snap action
Galvanically isolated contacts	Yes					
Forced break	Yes					
Max switching frequency	100/min					
Mechanical life - No. of switching cycles	10x10 ⁶					
Approvals	UL, CSA					
Operating temperature	-30°C to +80°C					
Weight	0.07kg					

188 RANGE

Part No.	608.6135.033	608.6185.034	608.6136.037	608.6121.029	608.6171.030	
Model	I88-U1ZAH	I88-SU1ZAH	I88-U1AV	I88-U1ZDGHw	I88-SU1ZDGHw	
Dimensions						
Contact arrangement						
Rated isolation voltage	500Vac					
Permanent current	10A					
Contact action	Slow make & break	Snap action	Slow make & break	Slow make & break	Snap action	
Galvanically isolated contacts	Yes					
Forced break	Yes	Yes	No	Yes	Yes	
Max switching frequency	100/min					
Mechanical life - No. of switching cycles	10x10 ⁶					
Approvals	UL, CSA					
Operating temperature	-30°C to +80°C					
Weight	0.10kg	0.10kg	0.11kg	0.07kg	0.07kg	