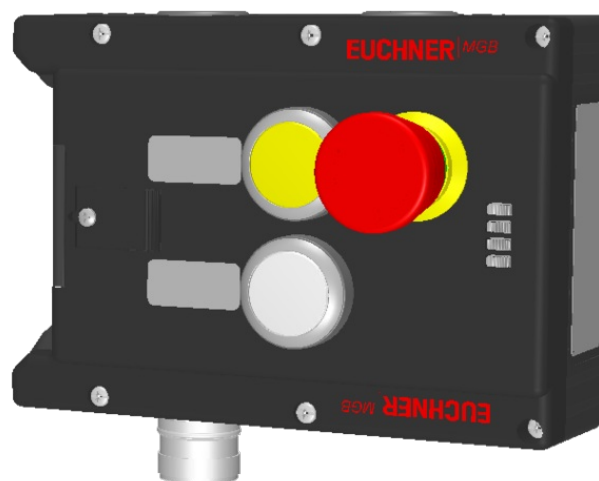


MGB-L1-ARA-AB8A1-S1-L-117312 (ORDER NO. 117312)

Locking module MGB-L1-ARA... (guard locking by spring force) with 2 pushbuttons, emergency stop, incl. label carrier, RC18

- ▶ Guard locking with guard lock monitoring
- ▶ Can be connected in series with other AR devices (e.g. CES-AR and CET-AR)
- ▶ Emergency stop according to ISO 13850
- ▶ 2 pushbuttons (illuminated, ye, wh)
- ▶ incl. adhesive labels
- ▶ With plug connector RC18
- ▶ Unicode



Description

Guard locking type

MGB-L1... The locking arm is held in the locked position by spring force and is unlocked by solenoid force (closed-circuit current principle, mechanically locked).

Door stop

A mechanical door stop is permanently integrated into the evaluation module of the MGB. A marking on the stop makes adjustment easier.

LED indicator

The LED indicator indicates all important system and status information.

Monitoring outputs

- OT Bolt tongue inserted into the evaluation module
- OI Diagnostics; there is a fault

Emergency stop device

S1 2 positively driven contacts and 1 NO contact (e.g. monitoring contact), emergency stop with turn-to-reset, not illuminated

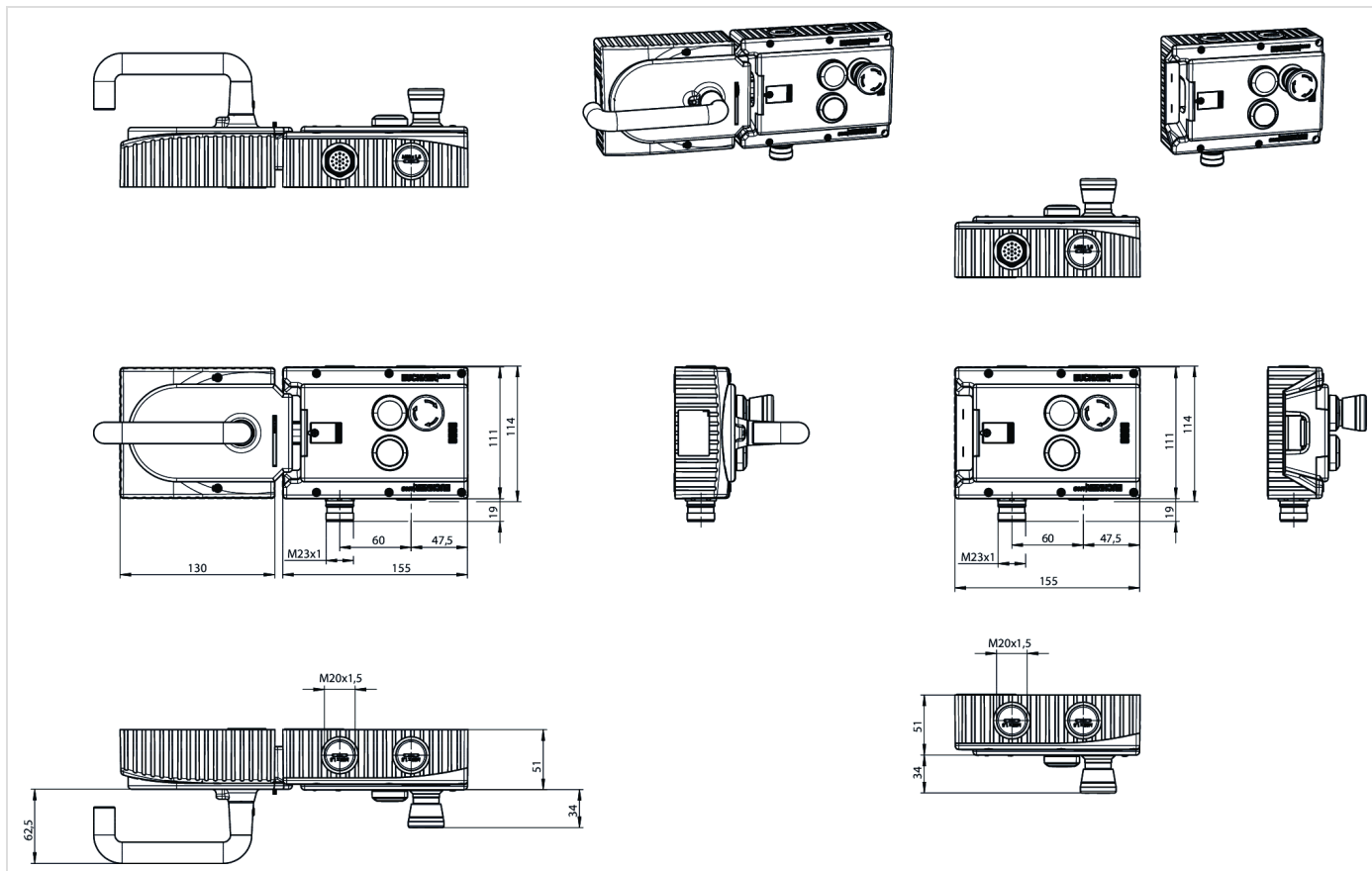
Pushbutton

- S2 1 NO contact, yellow, illuminated
- S3 1 NO contact, white, illuminated

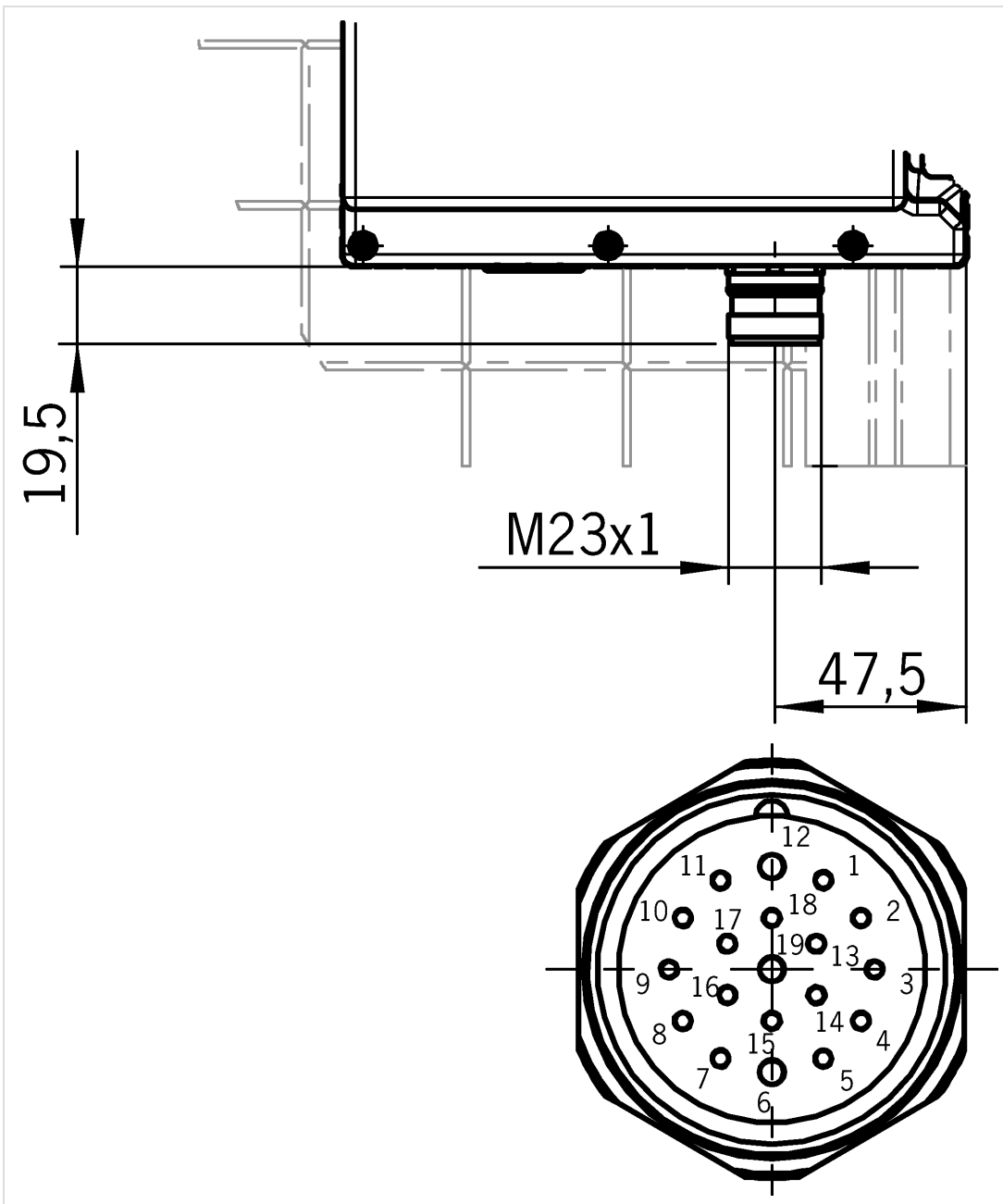
Adhesive labels

Devices with adhesive labels have pre-formed recesses. The adhesive labels enclosed (standard size 12.5 x 27 mm) can be affixed in these recesses.

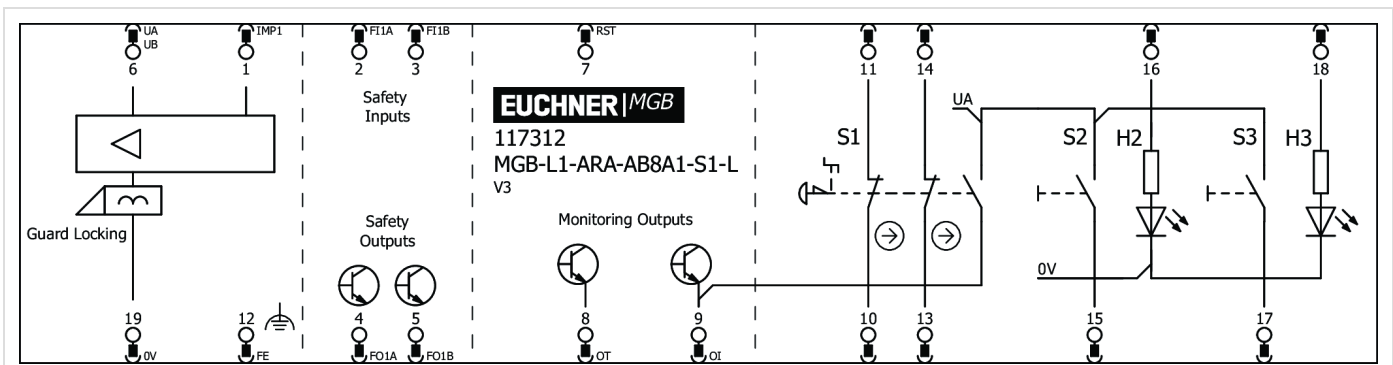
Dimension drawings



Dimension drawings



Connection examples



Technical data

Approvals



Controls and indicators

Item	Extras	Color	Designation1	Number	LED	Switching element	Version	Slide-in label
1	with monitoring contact					2 PD + 1 NO	Emergency stop	
2		yellow				1NO	Illuminated pushbutton	
3		white				1NO	Illuminated pushbutton	

Electrical connection ratings

Degree of contamination (external, according to EN 60947-1) 3

Discrepancy time

between FO1A and FO1B max. 10 ms

Rated impulse withstand voltage U_{imp} 1.5 kV

Rated insulation voltage U_i 30 V

Risk time according to EN 60947-5-3 max. 350 ms

Safety class III

Transponder coding Unicode

Utilization category

DC-13 24V 200mA
(Caution: outputs must be protected with a free-wheeling diode in case of inductive loads.)

Solenoid control input IMP1, IMP2, IMM

Test pulse interval min. 100 ms

Test pulses max. 5 ms

Controls and indicators

Breaking capacity max. 0.25 W

LED power supply 24 V DC

Switching current 1 ... 10 mA

Switching voltage U_A V

Emergency stop

Breaking capacity max. 0.25 W

LED power supply 24 V DC

Switching current 1 ... 100 mA

Switching voltage 5 ... 24 V

Monitoring outputs OD, OT, OL, OI

Output current max. 50 mA

Output type Semiconductor outputs, p-switching, short circuit-proof

Output voltage U_A -2V ... U_A V DC
(Value at a switching current of 50 mA without taking into account the cable lengths)

Safety outputs FO1A, FO1B

Output current

per safety output FO1A / FO1B 1 ... 200 mA

Output type Semiconductor outputs, p-switching, short circuit-proof

Output voltage

UF01A /UF01B LOW 0 ... 1 V DC

	UFO1A /UFO1B HIGH	UB-2V ... UB V DC (Value at a switching current of 50 mA without taking into account the cable lengths)
Test pulse interval		min. 100 ms
Test pulses		max. 1 ms
		Power supply UA
Current consumption	IUA	max. 375 mA (with energized guard locking solenoid and unloaded outputs OD, OT, OL, OI, +20 °C, 24V))
Operating voltage DC	UA	24 V DC -15% ... +10% (reverse polarity protected, regulated, residual ripple 5%, PELV))
		Power supply UB
Current consumption	IUB	max. 80 mA (no load on outputs))
Operating voltage DC	UB	24 V DC -15% ... +10% (reverse polarity protected, regulated, residual ripple 5%, PELV))

Mechanical values and environment

Ambient temperature

at UB = 24V DC -20 ... +55 °C

Connection		Plug connector RC18 (X6)
Degree of protection		IP65
Guard locking principle		Closed-circuit current principle
Installation orientation		Door hinge DIN left
Locking force F_{Zh}		2000 N
Material	Housing	Fiber glass reinforced plastic; nickel-plated die-cast zinc; stainless steel
Mechanical life		1 x 10 ⁶
	in case of use as door stop, and 1 Joule impact energy	0.1 x 10 ⁶
Switching frequency		0.25 Hz

Reliability values according to EN ISO 13849-1

Mission time	20 y
Control of guard locking	
Category	4
Performance Level	PL e
PFHd	2.8 x 10 ⁻⁹
Emergency stop	
B10d	
Emergency stop	0.13 x 10 ⁶
Monitoring of guard locking and the guard position	
Category	4
Performance Level	PL e
PFHd	3.7 x 10 ⁻⁹

Miscellaneous

Product version number	V4.0.0
Slide-in label	2 pcs. without marking

Accessories

Connection material

Connecting cable with plug connector M23 with option C1825, 1.5 m, straight



092761
C-M23F19-19XDIFPU01,5-MA-092761

- ▶ M23 plug connector, 18-pin + PE
- ▶ Straight plug connector
- ▶ PUR cable
- ▶ Cable length 1.5 m
- ▶ With flying lead
- ▶ Cores color-coded

Connecting cable with plug connector M23 with option C1825, 10 m, straight



092898
C-M23F19-19XDIFPU10,0-MA-092898

- ▶ M23 plug connector, 18-pin + PE
- ▶ Straight plug connector
- ▶ PUR cable
- ▶ Cable length 10 m
- ▶ With flying lead
- ▶ Cores color-coded

Connecting cable with plug connector M23 with option C1825, 15 m, straight



077016
C-M23F19-19XDIFPU15,0-MA-077016

- ▶ M23 plug connector, 18-pin + PE
- ▶ Straight plug connector
- ▶ PUR cable
- ▶ Cable length 15 m
- ▶ With flying lead
- ▶ Cores color-coded

Connecting cable with plug connector M23 with option C1825, 20 m, straight



092726
C-M23F19-19XDIFPU20,0-MA-092726

- ▶ M23 plug connector, 18-pin + PE
- ▶ Straight plug connector
- ▶ PUR cable
- ▶ Cable length 20 m
- ▶ With flying lead
- ▶ Cores color-coded

Connecting cable with plug connector M23 with option C1825, 25 m, straight



092727

- ▶ M23 plug connector, 18-pin + PE



092727
C-M23F19-19XDIFPU25,0-MA-092727

- ▶ M23 plug connector, 18-pin + PE
- ▶ Straight plug connector
- ▶ PUR cable
- ▶ Cable length 25 m
- ▶ With flying lead
- ▶ Cores color-coded

Connecting cable with plug connector M23 with option C1825, 3 m, straight



092816
C-M23F19-19XDIFPU03,0-MA-092816

- ▶ M23 plug connector, 18-pin + PE
- ▶ Straight plug connector
- ▶ PUR cable
- ▶ Cable length 3 m
- ▶ With flying lead
- ▶ Cores color-coded

Connecting cable with plug connector M23 with option C1825, 30 m, straight



095993
C-M23F19-19XDIFPU30,0-MA-095993

- ▶ M23 plug connector, 18-pin + PE
- ▶ Straight plug connector
- ▶ PUR cable
- ▶ Cable length 30 m
- ▶ With flying lead
- ▶ Cores color-coded

Connecting cable with plug connector M23 with option C1825, 40 m, straight



102490
C-M23F19-19XDIFPU40,0-MA-102490

- ▶ M23 plug connector, 18-pin + PE
- ▶ Straight plug connector
- ▶ PUR cable
- ▶ Cable length 40 m
- ▶ With flying lead
- ▶ Cores color-coded

Connecting cable with plug connector M23 with option C1825, 6 m, straight



077014
C-M23F19-19XDIFPU06,0-MA-077014

- ▶ M23 plug connector, 18-pin + PE
- ▶ Straight plug connector
- ▶ PUR cable
- ▶ Cable length 6 m
- ▶ With flying lead
- ▶ Cores color-coded

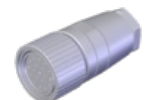
Connecting cable with plug connector M23 with option C1825, 8 m, straight



077015
C-M23F19-19XDIFPU08,0-MA-077015

- ▶ M23 plug connector, 18-pin + PE
- ▶ Straight plug connector
- ▶ PUR cable
- ▶ Cable length 8 m
- ▶ With flying lead
- ▶ Cores color-coded

Female plug RC18, straight, with option C1825



077025
RC18EF-C1825

- ▶ Plug connector M23, straight
- ▶ Number of pins: 19-pin with shield spring

Replacement crimp contacts for female plug RC18 with option C1825

094310
CRIMPKONTAKT BUCHSE RCF-C1825

- ▶ 19 crimp sockets
- ▶ Conductor cross-section 16 x 0.25 - 0.5 mm² and 3 x 0.75 - 1 mm²
- ▶ For plug connector RC18..C1825

Function expansion

Emergency release for safety system MGB



112989
MGB-A-EMERGENCYRELEASE-112989

- ▶ Quick emergency release
- ▶ sealable

Miscellaneous

Adhesive labels

114529
MGB-A-PLATESET-NN01-114529

- ▶ Adhesive labels suitable for MGB evaluation modules, bus modules and control modules
- ▶ silver, blank
- ▶ Packaging unit = 10 pcs.

Lens set labeled



158307
AY-SET-LNS-SY04-158307



120377
AY-SET-LNS-SY01-120377



126158
AY-SET-LNS-SY03-126158



125359
AY-SET-LNS-SY02-125359



160049
AY-SET-LNS-SY05-160049

Lens set, 5 colors



120344
AY-SET-LNS-0001-120344



163284
AY-SET-LNS-0003-163284

Lens set, 6 colors



120378
AY-SET-LNS-0002-120378

Mounting accessories

Mounting plate for evaluation modules MGB-L.-AR.-... and MGB-L.-AP.-...



109490
MGB-A-MOUNTINGPLATE-L-109490

- ▶ Easy and quick mounting (only two screws required)
- ▶ Quick module replacement
- ▶ Steel, powder coated
- ▶ Suitable for doors hinged on the right and left

Contacts

🏠 EUCHNER GmbH + Co. KG
Kohlhammerstraße 16
70771 Leinfelden-Echterdingen

☎ +49 711 7597-0

📠 +49 711 753316

✉ info(at)euchner.de