



### Main

Range of product	Modicon Premium Automation platform
Product or component type	Discrete input module
Discrete input number	32 current sink isolated conforming to EN/IEC 61131-2 type 1
Discrete input voltage	24 V DC positive
Sensor power supply	19...30 V
Discrete input current	3.5 mA

### Complementary

Voltage state 1 guaranteed	$\geq 11$ V
Current state 1 guaranteed	$\geq 3$ mA
Voltage state 0 guaranteed	$\leq 5$ V
Current state 0 guaranteed	$\leq 1.5$ mA
Input impedance	6300 Ohm at state 1
Response time	$\leq 7$ ms 4 ms
Insulation resistance	$< 10$ MOhm 500 V DC
Power dissipation	(1 W + 0.1 W x No of channels used)
Electrical connection	HE-10 connector
Marking	CE
Current consumption	135 mA 5 V DC 160 mA 24 V DC
Module format	Standard
Product weight	0.3 kg

### Environment

Dielectric strength	1500 V AC at 50/60 Hz
Standards	73/23/EEC 89/336/EEC 92/31/EEC 93/68/EEC CSA C22.2 No 142 EN/IEC 61131-2 IEC 60664 UL 508

Disclaimer: This documentation is not intended as a substitute for and is not to be used for determining suitability or reliability of these products for specific user applications

CSA C22.2 No 213 Class I Division 2 Group A  
 CSA C22.2 No 213 Class I Division 2 Group B  
 CSA C22.2 No 213 Class I Division 2 Group C  
 CSA C22.2 No 213 Class I Division 2 Group D

Product certifications	ABS BV DNV GL LR RINA RMRS
Ambient air temperature for operation	0...60 °C
Ambient air temperature for storage	-25...70 °C
Relative humidity	10...95 % without condensation for operation 5...95 % without condensation for storage
Operating altitude	0...2000 m
Protective treatment	TC
IP degree of protection	IP20
Pollution degree	2

### Offer Sustainability

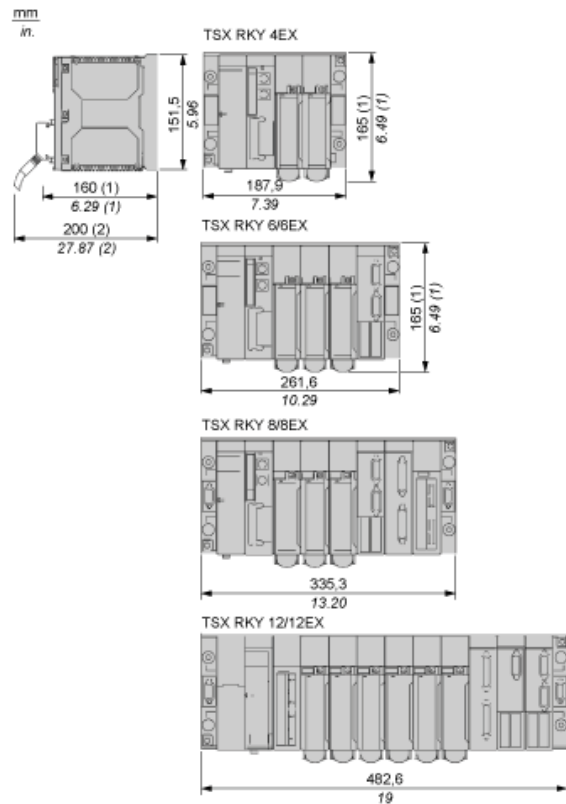
RoHS (date code: YYWW)	Compliant - since 0847 - Schneider Electric declaration of conformity <a href="#">Schneider Electric declaration of conformity</a>
REACH	Reference not containing SVHC above the threshold <a href="#">Reference not containing SVHC above the threshold</a>
Product end of life instructions	Need no specific recycling operations

### Contractual warranty

Warranty period	18 months
-----------------	-----------

Standard and Extendable Racks for Modules Mounting

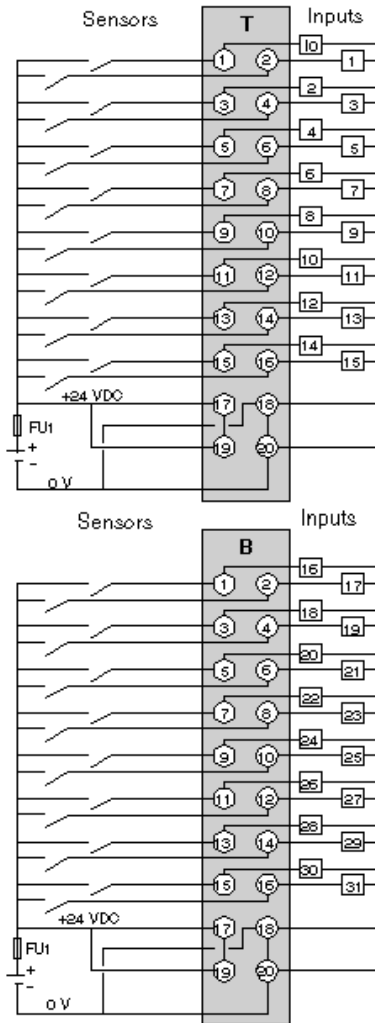
Dimensions of Modules and Racks



- (1) With screw terminal block modules.
- (2) Maximum depth for all types of modules and their associated connectors.

24 Vdc Discrete Input 32-Channel Module

Wiring Diagram



FU1 0.5 A quick-blow fuse

TSXDEY32D2K is replaced by:



Standard environment BMXDDI3202K

discrete input module M340 - 32 inputs - 24 V DC positive

Qty 1

Reason for Substitution: End of life | Substitution date: 31 December 2018 | Not same dimensions/design