

CONDUCT THREAD	AVAILABLE IN GSD, GSD, AND GSE	AVAILABLE IN GSE ONLY	AVAILABLE IN GSD, GSD, AND GSE	AVAILABLE IN GSE ONLY	AVAILABLE IN GSD, GSD, AND GSE	AVAILABLE IN GSE ONLY
<b>C</b>					<b>CODE 1, LEVER TO LEFT</b>	<b>CODE 3, LEVER TO RIGHT</b>
<b>D</b>					<b>CODE 1, LEVER TO LEFT</b>	<b>CODE 3, LEVER TO RIGHT</b>
<b>E</b>					<b>CODE 1, LEVER TO LEFT</b>	<b>CODE 3, LEVER TO RIGHT</b>
<b>A</b>					<b>CODE 1, LEVER TO LEFT</b>	<b>CODE 3, LEVER TO RIGHT</b>
<b>B</b>					<b>CODE 2, LEVER TO TOP</b>	<b>CODE 4, LEVER TO BOTTOM</b>
<b>C</b>					<b>CODE 2, LEVER TO TOP</b>	<b>CODE 4, LEVER TO BOTTOM</b>
<b>D</b>					<b>CODE 2, LEVER TO TOP</b>	<b>CODE 4, LEVER TO BOTTOM</b>

**NOTES:**  
 1 - MAXIMUM OPERATING TORQUE: .12 Nm / 1.1 in-lb  
 2 - MAXIMUM DISCONNECT TORQUE: .16 Nm / 1.5 in-lb  
 3 - MAXIMUM TIGHTENING TORQUE FOR FIXING SCREW: 0.339Nm / 3 in-lb (GSD PRODUCTS)  
 4 - IEC 60947-5-1 (GSD PRODUCTS)  
 5 - IEC 60947-5-1 (INDOOR USE ONLY), IEC 60947-5-1 FOR GSD PRODUCTS

**ENVIRONMENTAL**  
 IP66 NEMA 1, 4, 12, 13  
 TEMP RANGE: -40°C TO +85°C  
 STORAGE: -40°F TO +185°F  
 SHOCK: 50G PER IEC 68-2-27  
 VIBRATION: 100G PER IEC 68-2-6

**ELECTRICAL RATING - Ith = 10A**

SILVER CONTACTS	GOLD PLATED CONTACTS
AC FOR SWITCH CODES 01, 07, 03, 33	DC
400V AC 5A	500V DC 1.3A
120V AC 6A	125V DC 0.55A
240V AC 3A	250V DC 0.27A
480V AC 1.5A	
600V AC 1.2A	

**APPROVALS**  
 UL  
 IEC 947-5-1  
 EN50047

**CONTACT CLOSED**  
**CONTACT OPEN**  
 \*\* POSITIVE OPENING TO IEC 947-5-1

**GS SERIES CHART 2**  
 LIMIT SWITCH  
 Honeywell Division  
 ANS1 Y14.5M-1987-APPLIES

BODY CODES C AND D

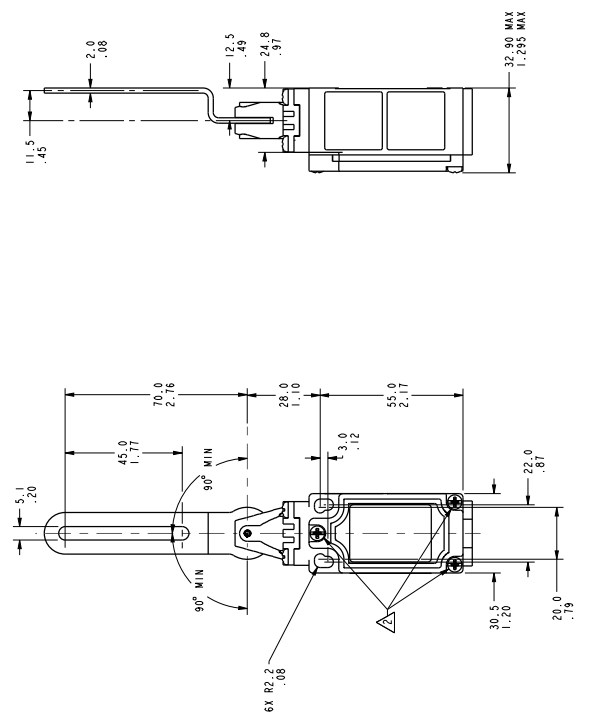
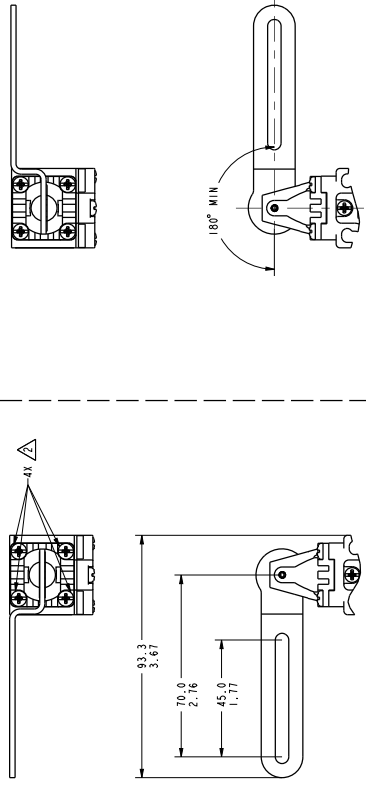


FIG. 13.5 CONDUIT THREAD

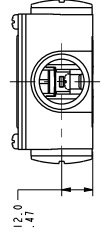
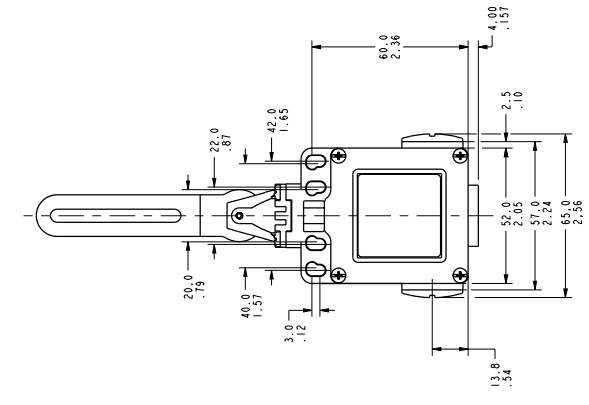
ACTUATOR CODE 2



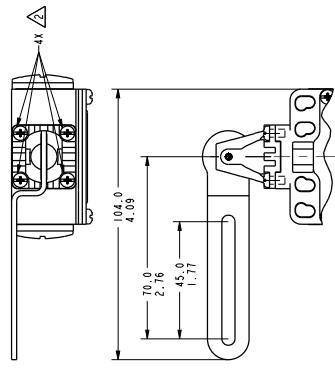
ACTUATOR CODE 1

ACTUATOR CODE 3

BODY CODE E



ACTUATOR CODE 2



ACTUATOR CODE 1

ACTUATOR CODE 3

UNITED STATES PROTECTION	
SCALE	DO NOT SCALE PRINT
TOLERANCES UNLESS OTHERWISE SPECIFIED	
FRAMES	AS SHOWN
KEYS	AS SHOWN
DESIGN UNITS	INCHES
WEIGHT	TYP

ACTUATOR CODE 3

GS SERIES CHART 2

LIMIT SWITCH

MICROSWITCH  
a Honeywell Division

THIS DRAWING COVERS A PROPRIETARY ITEM AND IS THE PROPERTY OF MICROSWITCH, A DIVISION OF HONEYWELL INTERNATIONAL CORP. IT IS TO BE USED ONLY FOR THE PURPOSES OF THE CATALOG LISTING THEREIN. NO OTHER REPRODUCTION OR TRANSMISSION IS PERMITTED WITHOUT WRITTEN PERMISSION.

ANSI Y14.5M-1987 APPLIES

REV	DATE	BY	CHKD	ISSUE
1	10/90	CMH	CMH	1
2	10/90	CMH	CMH	2
3	10/90	CMH	CMH	3
4	10/90	CMH	CMH	4
5	10/90	CMH	CMH	5
6	10/90	CMH	CMH	6
7	10/90	CMH	CMH	7
8	10/90	CMH	CMH	8
9	10/90	CMH	CMH	9
10	10/90	CMH	CMH	10
11	10/90	CMH	CMH	11
12	10/90	CMH	CMH	12
13	10/90	CMH	CMH	13
14	10/90	CMH	CMH	14
15	10/90	CMH	CMH	15
16	10/90	CMH	CMH	16
17	10/90	CMH	CMH	17
18	10/90	CMH	CMH	18
19	10/90	CMH	CMH	19
20	10/90	CMH	CMH	20