

A3 Bulkhead mounted h., IP67

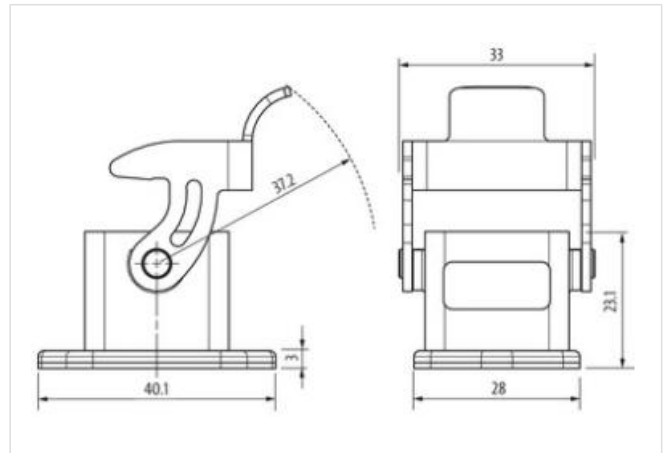
Single locking lever m.

A3
Bulkhead mounted housing
Single locking lever
IP67

Technical data will be only guaranteed with Murrelektronik components.

[Link to Product](#)

Illustration



Product may differ from Image

Technical Data

Mating cycles	min. 500
Locking of ports	Single locking lever
Protection (housing)	IP67 inserted and tightened (EN 60529)

General data

Material (gasket)	NBR
Temperature range	-40...+100 °C
Material (housing)	Zinc die casting
Housing type	Bulkhead mounted housing
Size	A3
Locking material	Steel (galvanized)
Climatic category	40/100/21 (EN 60068-1)
Material (housing surface)	powder-coated
Dimensions HxWxD	23.1×40.1×33 mm

Commercial data

country of origin	CZ
customs tariff number	85389099
EAN	4048879643016
eClass	27143424
Packaging unit	1.000