



AZM300Z-I2-ST-1P2P-DU

- Repeated individual coding with RFID technology
- Coding level "High" according to ISO 14119
- Connector M12, 8-pole
- Power to unlock
- Guard locking monitored
- Diagnostic output
- Hygienic design
- Protection class IP 69
- Suitable for mounting to profile systems
- Thermoplastic enclosure
- RFID-technology for needs-based protection against tampering
- 3 different directions of actuation
- Compact design
- 3 LEDs to show operating conditions
- Suitable for hinged and sliding guards
- Series-wiring
- Manual release

Data

Ordering data

Product type description	AZM300Z-I2-ST-1P2P-DU
Article number (order number)	103044800
EAN (European Article Number)	4030661563756
eCl@ss number, version 12.0	27-27-26-03
eCl@ss number, version 11.0	27-27-26-03
eCl@ss number, version 9.0	27-27-26-03
ETIM number, version 7.0	EC002593
ETIM number, version 6.0	EC002593

Approvals - Standards

Certificates	TÜV cULus ECOLAB EAC FCC IC
--------------	--

General data

Standards	EN ISO 13849-1 EN ISO 14119 EN IEC 60947-5-3 EN IEC 61508
Coding	Individual coding, multiple teaching
Coding level according to EN ISO 14119	High
Working principle	RFID
Frequency band RFID	125 kHz
Transmitter output RFID, maximum	-6 dB/m
Enclosure material	Plastic, glass-fibre reinforced thermoplastic, self-extinguishing
Gross weight	550 g
Time to readiness, maximum	5,000 ms
Duration of risk, maximum	200 ms
Reaction time, switching off safety outputs via actuator, maximum	100 ms
Reaction time, switching off safety outputs via safety inputs, maximum	1.5 ms

General data - Features

Power to unlock	Yes
Solenoid interlock monitored	Yes
Latching	Yes
Manual release	Yes
Short circuit detection	Yes
Cross-circuit detection	Yes

Series-wiring	Yes
Safety functions	Yes
Integral system diagnostics, status	Yes
Number of fail-safe digital outputs	2

Safety classification

Standards	EN ISO 13849-1 EN IEC 61508
-----------	--------------------------------

Safety classification - Interlocking function

Performance Level, up to	e
Category	4
PFH value	5.20×10^{-10} /h
PFD value	4.50×10^{-5}
Safety Integrity Level (SIL), suitable for applications in	3
Mission time	20 Year(s)

Safety classification - Guard locking function

Performance Level, up to	d
Category	2
PFH value	2.00×10^{-9} /h
PFD value	1.80×10^{-4}
Safety Integrity Level (SIL), suitable for applications in	2
Mission time	20 Year(s)

Mechanical data

Mechanical life, minimum	1,000,000 Operations
Note (Mechanical life)	When using as door stop: ≥ 50.000 operations (door mass ≤ 5 kg and actuating speed ≤ 0.5 m/s)

Angular misalignment between solenoid interlock and actuator, maximum	2 °
Holding force F_{Zh} in accordance with EN ISO 14119	1,150 N
Holding force F_{max} , maximum	1,500 N
Latching force, adjustable, position 1	25 N
Latching force, adjustable, position 2	50 N
Type of the fixing screws	2x M6
Tightening torque of the fixing screws, minimum	6 Nm
Tightening torque of the fixing screws, maximum	7 Nm

Mechanical data - Switching distances according EN IEC 60947-5-3

Assured switching distance "ON" S_{ao}	1 mm
Assured switching distance "OFF" S_{ar}	20 mm
Switch distance, typical	2 mm

Mechanical data - Connection technique

Termination	Connector M12, 8-pole, A-coded
Length of sensor chain, maximum	200 m
Note (length of the sensor chain)	Cable length and cross-section change the voltage drop depending on the output current
Note (series-wiring)	Unlimited number of devices, observe external line fusing, max. 31 devices in case of serial diagnostic SD

Mechanical data - Dimensions

Length of sensor	120 mm
Width of sensor	87.5 mm
Height of sensor	35 mm

Ambient conditions

Degree of protection	IP67 IP69 IP66
Ambient temperature, minimum	+0 °C
Ambient temperature, maximum	+60 °C
Storage and transport temperature, minimum	-10 °C
Storage and transport temperature, maximum	+90 °C
Relative humidity, maximum	93 %
Note (Relative humidity)	non-condensing non-icing
Resistance to vibration to EN 60068-2-6	10 ... 150 Hz, amplitude 0.35 mm
Resistance to shock	30 g / 11 ms
Protection class	III
Permissible installation altitude above sea level, maximum	2,000 m

Ambient conditions - Insulation values

Rated insulation voltage U_i	32 VDC
Rated impulse withstand voltage U_{imp}	0.8 kV
Overvoltage category	III
Degree of pollution to IEC/EN 60664-1	3

Electrical data

Operating voltage, minimum	20.4 VDC
Operating voltage, maximum	26.4 VDC
Note (Power supply, general)	stabilised PELV power supply

No-load supply current I_0 , maximum	100 mA
Current consumption with magnet ON, average	200 mA
Current consumption with magnet ON, peak	350 mA / 200 ms
Required rated short-circuit current to EN 60947-5-1	100 A
External wire and device fuse rating	2 A gG
Switching frequency, maximum	0.5 Hz

Electrical data - Magnet control

Designation, Magnet control	IN
Switching thresholds	-3 V ... 5 V (Low) 15 V ... 30 V (High)
Current consumption at 24V	10 mA
Magnet switch-on time	100 %
Test pulse duration, maximum	5 ms
Test pulse interval, minimum	40 ms
Classification ZVEI CB24I, Sink	C0
Classification ZVEI CB24I, Source	C1 C2 C3

Electrical data - Safety digital inputs

Designation, Safety inputs	X1 and X2
Switching thresholds	-3 V ... 5 V (Low) 15 V ... 30 V (High)
Current consumption at 24V	5 mA
Test pulse duration, maximum	1 ms
Test pulse interval, minimum	100 ms
Classification ZVEI CB24I, Sink	C1

Classification ZVEI CB24I, Source	C1
	C2
	C3

Electrical data - Safety digital outputs

Designation, Safety outputs	Y1 and Y2
Design of control elements	short-circuit proof, p-type
Voltage drop U_d , maximum	2 V
Leakage current I_r , maximum	0.5 mA
Voltage, Utilisation category DC-12	24 VDC
Current, Utilisation category DC-12	0.25 A
Voltage, Utilisation category DC-13	24 VDC
Current, Utilisation category DC-13	0.25 A
Test pulse duration, maximum	0.5 ms
Test pulse interval, typical	1000 ms
Classification ZVEI CB24I, Source	C2
Classification ZVEI CB24I, Sink	C1
	C2

Electrical data - Diagnostic outputs

Designation, Diagnostic outputs	OUT
Voltage drop U_d , maximum	2 V
Voltage, Utilisation category DC-12	24 VDC
Current, Utilisation category DC-12	0.05 A
Voltage, Utilisation category DC-13	24 VDC
Current, Utilisation category DC-13	0.05 A

Status indication

Note (LED switching conditions display)	Operating condition: LED green
	Error / functional defect: LED red
	Supply voltage UB: LED green

(2)

without	Standard coding
I1	Individual coding
I2	Individual coding, multiple teaching

(3)

1P2P	1 p-type diagnostic output and 2 p-type safety outputs
SD2P	serial diagnostic output and 2 p-type safety outputs

(4)

without	Power to unlock
A	Power to lock

(5)

without	Manual release
N	Emergency release
T	Emergency exit
T 8	Emergency exit, distance 8.5 mm

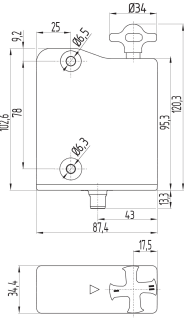
Pictures

Product picture (catalogue individual photo)



ID: kazm3f26
| 905.6 kB | .jpg | 352.425 x 440.619 mm - 999 x 1249 px - 72 dpi
| 59.1 kB | .png | 74.083 x 92.428 mm - 210 x 262 px - 72 dpi

Dimensional drawing basic component



ID: 5azm3g02

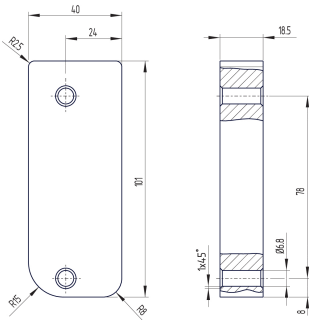
| 73.9 kB | .ai | 210.002 x 297 mm - 595 x 841 px - 72 dpi

| 5.8 kB | .png | 74.083 x 124.531 mm - 210 x 353 px - 72 dpi

| 190.4 kB | .jpg | 352.778 x 593.372 mm - 1000 x 1682 px - 72 dpi

| 10.7 kB | .png | 29.803 x 50.038 mm - 352 x 591 px - 300 dpi

Dimensional drawing miscellaneous

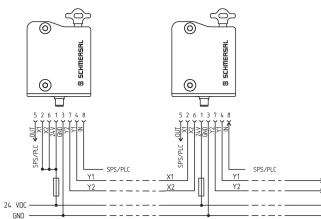


ID: kazm3g01

| 23.7 kB | .cdr |

| 133.3 kB | .jpg | 352.778 x 366.889 mm - 1000 x 1040 px - 72 dpi

Wiring example

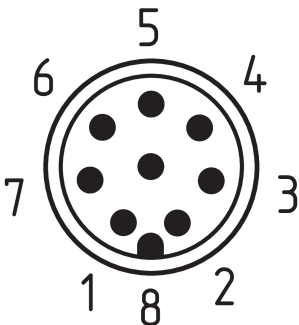


ID: kazm3l01

| 37.8 kB | .cdr |

| 111.9 kB | .jpg | 352.778 x 231.422 mm - 1000 x 656 px - 72 dpi

Contact arrangement



ID: km23-k8b

| 5.3 kB | .png | 73.731 x 79.728 mm - 209 x 226 px - 72 dpi

| 139.8 kB | .jpg | 352.778 x 380.647 mm - 1000 x 1079 px - 72 dpi

K.A. Schmersal GmbH & Co. KG, Möddinghofe 30, 42279 Wuppertal

The details and data referred to have been carefully checked. Images may diverge from original. Further technical data can be found in the manual. Technical amendments and errors possible.

Generated on: 31/08/2022, 08:45