



### Models Available

- BZW48/2-E** DIN48 Black AC Panel Mounted
- BZW48/2-A** DIN48 Black AC - DIN Rail Mount
- BZG48/2-E** DIN48 Black DC Panel Mounted
- BZG48/2-A** DIN48 Black DC - DIN Rail Mount

- HE72ETM/A** DIN72 White AC Panel Mounted
- HE72ETM/D** DIN72 White DC Panel Mounted
- HE96ETM/A** DIN96 White AC Panel Mounted
- HE96ETM/D** DIN96 White DC Panel Mounted

### Product Features

- Hours run monitoring
- Standard DIN square sizes
- Non-resettable
- Many options available (see page 16)

For dimensions see pages 17-18

## Hours Run Meters (Electromechanical)

Hours run meters are suitable for monitoring equipment and scheduling of events. The meters are ideal for recording running time, maintenance intervals or machine utilisation. The electromechanical movement ensures the count is retained in the event of power loss. They are available in several sizes of DIN enclosure and are available to operate on a comprehensive variety of supply voltages and frequencies, including DC.

The DIN48 black hourmeters are available to panel mount or surface/ DIN rail mount. Optional 55mm and 72mm bezels enable circular hole mounting and optional gaskets are also available for all models. The DIN48 hourmeters have finger-proof terminals whilst the DIN72 and DIN96 hourmeters are supplied with a terminal cover.

## Hours Run Meters – for monitoring hours of operation on machines

### Specification

#### Counting Range:

- 99,999.99 hours with power indication

#### Numerals:

- DIN48: 3.5mm high (with magnifier)
- DIN72/DIN96: 4mm high

#### Enclosure:

- Flame retardant ABS to DIN 43700

#### Enclosure Code:

- DIN48: IP65 front
- DIN72/DIN96: IP54 front (IP65 optional)

#### Mounting:

- DIN rail: BZW48/2-A & BZG48/2-A
- Panel mounting: all others

#### Operating Voltages:

- 24, 48, 110, 230, 415Vac ( $\pm 10\%$ )
- 10-80, 80-220Vdc ( $\pm 10\%$ )
- 10-50Vdc (HE72ETM & HE96ETM only)

#### Test Voltage:

- 2.5kV rms for 1 minute

#### Frequency:

- 50 or 60Hz

#### Power Consumption:

- Approximately 10mA at rated voltage

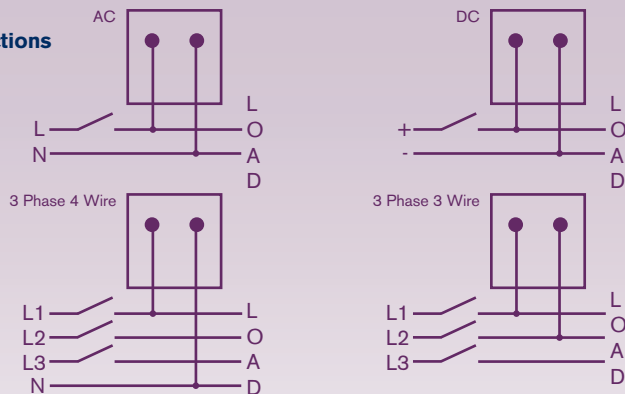
#### Terminals:

- Polarity marked screw clamp

#### Weight:

- DIN48 60g, DIN72 150g, DIN96 190g

### Connections

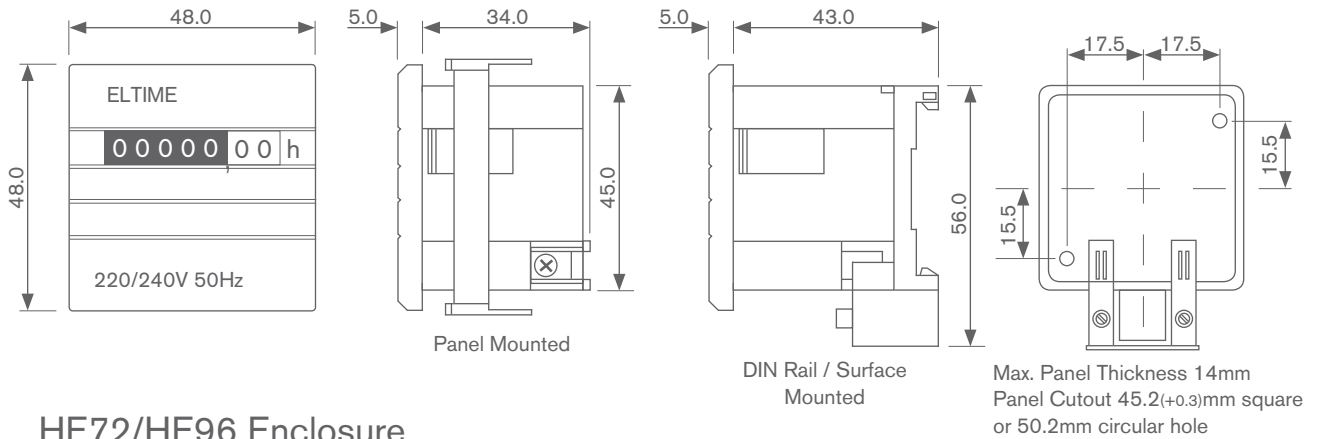


### Ordering information

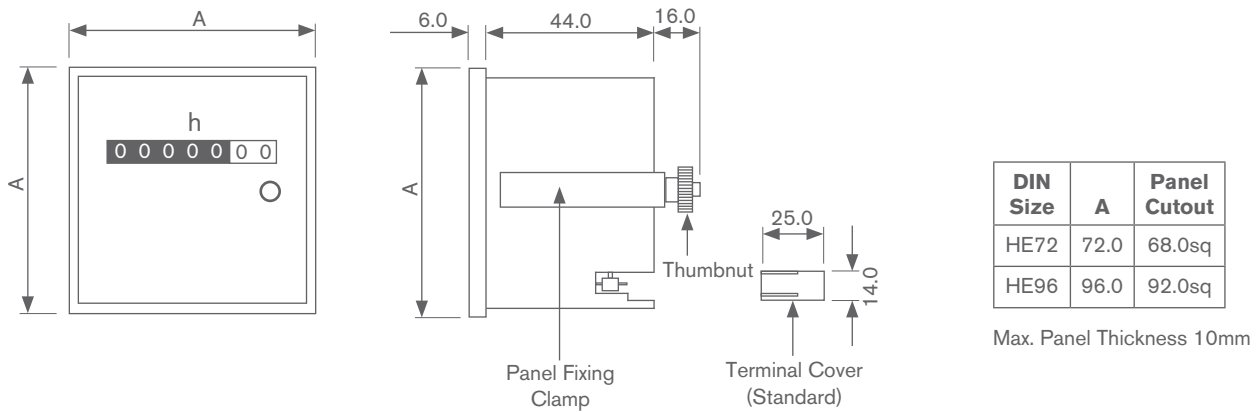
Code	DIN Square Size & Mounting Type	Voltage	Frequency
BZW48/2-E	48 x 48mm AC Panel Mounting	-	-
BZW48/2-A	48 x 48mm AC DIN Rail/Surface Mounting	-	-
BZG48/2-E	48 x 48mm DC Panel Mounting	-	-
BZG48/2-A	48 x 48mm DC DIN Rail/Surface Mounting	-	-
HE72ETM/A	72 x 72mm AC Panel Mounting	-	-
HE72ETM/D	72 x 72mm DC Panel Mounting	-	-
HE96ETM/A	96 x 96mm AC Panel Mounting	-	-
HE96ETM/D	96 x 96mm DC Panel Mounting	-	-
Specify	-	24, 48, 110, 230, 415Vac	-
Specify	-	10-80, 80-220Vdc	-
Specify	-	10-50Vdc (HE72ETM & HE96ETM only)	-
Specify	-	-	DC, 50 or 60Hz
<b>Example</b>	<b>BZW48/2-E</b>	<b>230V</b>	<b>50Hz</b>

# Dimensions

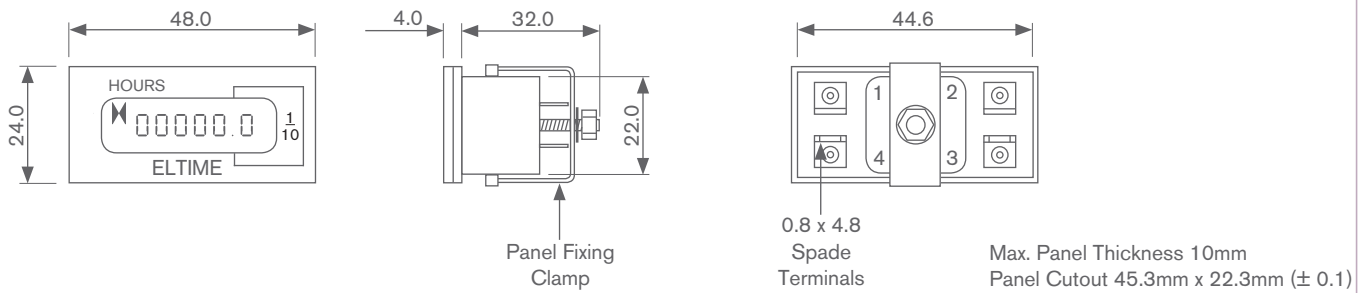
## BZW48/BZG48 Enclosure



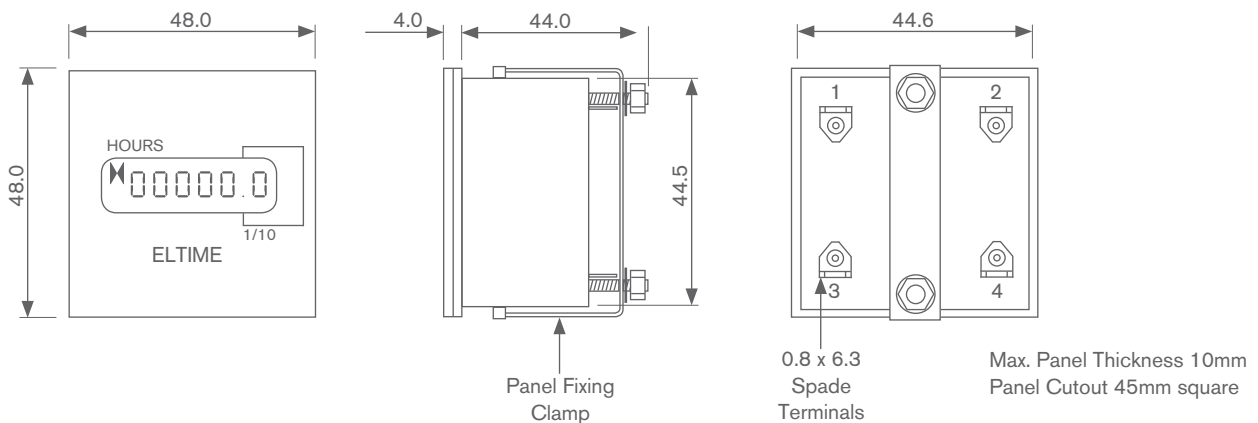
## HE72/HE96 Enclosure



## DH24 Enclosure



## DH48 Enclosure



All dimensions in mm

## General Specification

### Reference Standards

Performance / Accuracy:	BS EN 60051-1, BS 89 and DIN 43780
Enclosure:	DIN 43700
Vibration Resistance:	DIN 43780
Measuring Ranges:	DIN 43701
Safety:	IEC 414
Dial Symbols:	IEC 51

### Environmental

Calibration Temperature:	23°C
Operating Temperature:	-25°C to 50°C
Temperature Coefficient:	±0.03%/ °C
Relative Humidity:	0 - 90% non-condensing

### Input

Input Burden:	See individual specifications
Overload:	See individual specifications
Response Time:	< 2seconds

### Scales

Dials:	White with black legends
Reference Standard:	DIN 43802
Scale Length:	DIN48 - 37mm DIN72 - 65mm DIN96 - 90mm

### Enclosure

Enclosure:	Flame retardant white ABS plastic case with black bezel Plain glass window is standard* but a polycarbonate window is available. (*Polycarbonate window is standard on EL meters)
Enclosure Code:	Case IP52 (IP65 with gasket optional) to IEC529 and BS5490
Insulation Test:	2kV rms 50Hz 1min (to IEC 414)
Markings:	CE marked

Specification subject to change without notice.