

## Directional valves → Supplementary products

**4/2-way valve, Series 840**

► Qn = 200 l/min ► pipe connection ► compressed air connection output: Ø6x1 ► Electr. connection: Plug, EN 175301-803, form C ► Manual override: with detent ► single solenoid



Version	Diaphragm poppet valve
Pilot	internal
Sealing principle	soft sealing
Mounting on manifold strip	PRS strip
Working pressure min./max.	1.5 bar / 10 bar *
Control pressure min./max.	1.5 bar / 10 bar
Ambient temperature min./max.	-15 °C / +50 °C *
Medium temperature min./max.	-15 °C / +50 °C *
Medium	Compressed air
Max. particle size	50 µm
Oil content of compressed air	0 mg/m <sup>3</sup> - 1 mg/m <sup>3</sup>
Connector standard	EN 175301-803, form C
Degree of protection with electrical connector/plug	IP 65
Duty cycle	100 %
Switch-on time	12 ms
Switch-off time	12 ms
Materials:	
Housing	Polyoxymethylene
Seals	Acrylonitrile Butadiene Rubber

\* The maximum working pressure depends on the ambient temperature. The following values are applicable:  
 -15 °C - 50 °C: Working pressure 1.5 - 8 bar possible.  
 -15 °C - 40 °C: Working pressure 1.5 - 10 bar possible.

**Technical Remarks**

- The pressure dew point must be at least 15 °C under ambient and medium temperature and may not exceed 3 °C.
- The oil content of air pressure must remain constant during the life cycle.
- Use only the approved oils from Bosch Rexroth, see chapter „Technical information“.
- Versions with voltage of less than 50 V DC do not have a protective ground

Operating voltage			Voltage tolerance		Power consumption	Switch-on power		Holding power	
DC	AC 50 Hz	AC 60 Hz	DC	AC 60 Hz	DC	AC 50 Hz	AC 60 Hz	AC 50 Hz	AC 60 Hz
					W	VA	VA	VA	VA
12 V	-	-	-10% / +10%	-	1.6	-	-	-	-
24 V	-	-	-10% / +10%	-	1.6	-	-	-	-
-	24 V	24 V	-	-10% / +15%	-	3	2.6	2.2	1.9
-	110 V	110 V	-	-10% / +15%	-	3.1	2.6	2.2	1.9
-	230 V	230 V	-	-10% / +15%	-	3.2	2.8	2.3	2
-	230 V	230 V	-	-10% / +15%	-	3.5	3	2.5	2.2

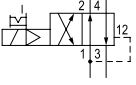
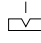
## Supplementary products

Part numbers marked in bold are available from the central warehouse in Germany, see the shopping basket for more detailed information  
 Pneumatics catalog, online PDF, as of 2012-07-05, © Bosch Rexroth AG, subject to change

## Directional valves → Supplementary products

**4/2-way valve, Series 840**

► Qn = 200 l/min ► pipe connection ► compressed air connection output: Ø6x1 ► Electr. connection: Plug, EN 175301-803, form C ► Manual override: with detent ► single solenoid

	MO	Compressed air connection				Operating voltage			Hold- ing pow- er	Hold- ing pow- er	Switch- on power	Part No.
		Input	Output	Exhaust	Pilot control exhaust	DC	AC 50 Hz	AC 60 Hz				
		Ø6x1	Ø6x1	Ø6x1	Ø 4,5	12 V	-	-	-	-	-	<b>5728400410</b>
						24 V	-	-	-	-	-	<b>5728400420</b>
						24 V	-	-	-	-	-	<b>5728400620</b>
						-	24 V	24 V	2.2	1.9	3	<b>5728405420</b>
						-	110 V	110 V	2.2	1.9	3.1	<b>5728405470</b>
						-	230 V	230 V	2.3	2	3.2	<b>5728405480</b>
						-	230 V	230 V	2.5	2.2	3.5	<b>5728405680</b>

Part No.	Switch-on power	Flow rate value	Weight	Note
	AC 60 Hz	Qn		
		[l/min]	[kg]	
<b>5728400410</b>	-	200	0.096	-
<b>5728400420</b>	-		0.097	-
<b>5728400620</b>	-		0.097	1)
<b>5728405420</b>	2.6		0.095	-
<b>5728405470</b>	2.6		0.096	-
<b>5728405480</b>	2.8		0.095	-
<b>5728405680</b>	3		0.095	1)

MO = Manual override

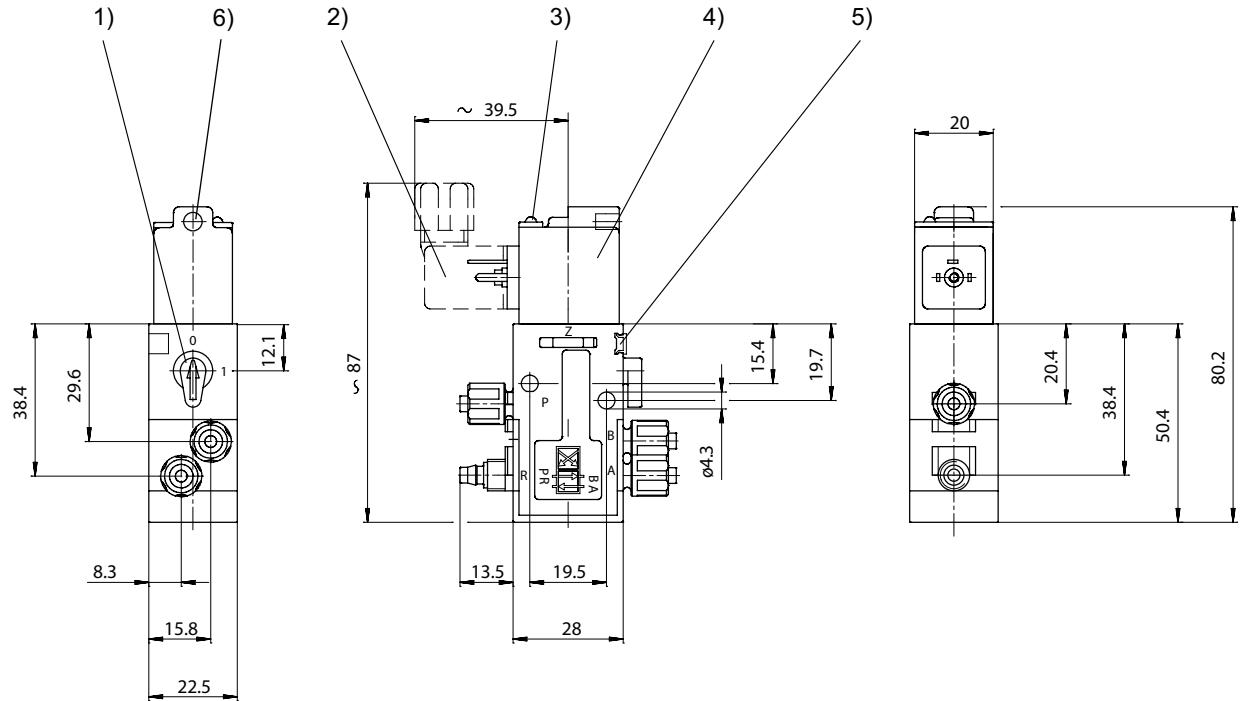
1) LED status display: Red

Nominal flow Qn at 6 bar and Δp = 1 bar

## Directional valves → Supplementary products

**4/2-way valve, Series 840**

►  $Q_n = 200 \text{ l/min}$  ► pipe connection ► compressed air connection output:  $\text{Ø}6 \times 1$  ► Electr. connection: Plug, EN 175301-803, form C ► Manual override: with detent ► single solenoid

**Dimensions**

- 1) manual override 2) el. connector 3) LED display 4) coil can be rotated at  $180^\circ$  intervals  
5) mounting space for name plate 6) hold for M5 fitting or silencer  $\text{Ø} 4.5 \text{ mm}$

D572\_840

## Supplementary products

Part numbers marked in bold are available from the central warehouse in Germany, see the shopping basket for more detailed information  
Pneumatics catalog, online PDF, as of 2012-07-05, © Bosch Rexroth AG, subject to change