

SERIES HS35R

Dynapar™ brand

Heavy Duty Hollowshaft Encoder

Key Features

- Phased Array Sensor for Reliable Signal Output
- Rugged Design Withstands up to 400G Shock and 20G Vibration
- Unbreakable Code Disc up to 5000 PPR
- Heavy Duty Design Rated for IP67
- Customizable Mounting Options including Torque Arm with Optional Grounding Strap

IND
Industrial Duty



CE
EN 61326-1



SPECIFICATIONS

STANDARD OPERATING CHARACTERISTICS

Code: Incremental, Optical

Resolution: 1 to 5000 PPR (pulses/revolution) See Ordering Information

Format: Two channel quadrature (AB) with optional Index (Z), and complementary outputs

Phase Sense: A leads B for CW shaft rotation viewing the shaft clamp end of the encoder

Quadrature Phasing:

For resolutions 200 to 300 PPR and 1200 PPR and above: 90° ±30° electrical; all other resolutions: 90° ±15°

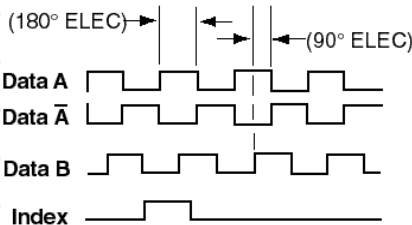
Symmetry:

For resolutions 200-300 PPR and above: 1024 PPR: 180° ±25° electrical; all other resolutions: 180° ±18°

Index: 150° to 330° A leads B, CW (from clamp end) (Reverse Phasing, A leads B for CCW also available: See Code 7 in Ordering Information)

Waveforms: Squarewave with rise and fall times less than 1 microsecond into a load capacitance of 1000 pf

DATA AND INDEX Not all complements shown A shown for reference



Index Width: 150° to 330°

A leads B, CW (from clamp end)

(Reverse Phasing, A leads B for CCW also available: See Code 7 in Ordering Information)

ELECTRICAL

Input Power: 5-26VDC, 5-15VDC. 80 mA max., not including output loads.

Outputs:

- 7272 Push-Pull: 40mA, sink or source
- 7272 Differential Line Driver: 40 mA, sink or source
- 7273 Open Collector: 40mA, sink max
- 4469 Differential Line Driver: 100mA, sink or source
- High-Power Mosfet Line Driver

Frequency Response: 125 kHz (data & index)

Noise Immunity: Tested to EN61326-1

Electrical Immunity: Reverse polarity, short circuit protected with 7272 or 7273 line drivers only

Termination: MS Connector; M12 Connector; cable exit w/seal. See Ordering Information

Mating Connector:

- 6 pin MS, style MS3106A-14S-6S (MCN-N4)
- 7 pin MS, style MS3106A-16S-1S (MCN-N5)
- 10 pin MS, style MS3106A-18-1S (MCN-N6)
- 10 pin, NEMA4 style (MCN-N6N4)
- 10 pin Bayonet, MS3116-F12-10S (MCN-B1)
- 12 Pin CCW M23 Connector (MCN-C2)
- Cable w/ 5 pin M12 Connector (112859-XXXX)
- Cable w/ 8 pin M12 Connector (112860-XXXX)

Note: "MS" type mating connectors and pre-built cables are rated NEMA 12. "M12" Cable assemblies are rated IP67

MECHANICAL

Bore Diameter: 6mm to 28mm, 1/4" to 1-1/8", electrically isolated

Mating Shaft Length: 1.25", Minimum, 1.60", Recommended

Shaft Speed: 6000 RPM, Maximum (Enclosure Rating is IP64 at speed over 5000 RPM)

Starting Torque: 8.0 in-oz. maximum (at 25°C)

Running Torque: 5.0 in-oz. maximum (at ambient)

Bearings: ABEC 1

Housing and Cover: Powder Coated Aluminum

Shaft Material: 6061-T6 Aluminum

Disc Material: Mylar (unbreakable)

Weight: 1.76lb (28 Oz) Typical

ENVIRONMENTAL

Standard Operating Temperature: -40 to +85°C (0 to +70°C with 4469 line driver, see "Ordering Information"). At shaft speed above 3000 RPM, derate 10°C per 1000 RPM

Extended Temperature Range: -40 to +100°C (See ordering information)

Storage temperature: -40 to +100°C

Shock: 400G, 6mSec

Vibration: 5 to 3000 Hz, 20G

Humidity: Up to 98% (non-condensing)

Enclosure Rating: IP67 (IP64 at shaft speed above 5000 RPM)

Ordering Information

To order, complete the model number with code numbers from the table below:

Code 1: Model	Code 2: PPR	Code 3: Bore Size	Code 4: Fixing	Code 5: Output Format	Code 6: Termination	Code 7: Options
HS35R	□□□□	□	□	□	□	□□
Ordering Information						
HS35R Heavy-Duty Hollowshaft Encoder	0001 0500	0 6mm	0 None	0 ABZ, 5-26VDC push-pull (7272)	0 6 Pin Connector	Blank No Option
	0003 0512	1 1/4"	1 4.5" C-face tether	1 ABZ, 5-26VDC O/C (7273)	1 7 Pin Connector	
	0010 0600	2 5/16"	2 8.5" C-face tether	2 ABZ, 5-26VDC O/C w/2.2kOhm (7273)	2 10 Pin Connector	Available when Code 5 is 0-9, A-G and when Code 6 is 0-2 or 5-7
	0012 0900	3 8mm	3 Slotted tether (to fit standard AC motor fan cover)	H Same as "0" with Extended temp range	3 12 Pin Connector	
	0015 1000	4 3/8"	Not available when Code 5 is D,E,F,G, Q, R	J Same as "1" with Extended temp range	4 10 Pin Bayonet Connector	
	0032 1024	5 10mm		K Same as "2" with Extended temp range	5 6 Pin+Mating Connector	
	0050 1200	6 12mm	Available when Code 5 is D,E,F,G, Q, R	Not available when Code 6 is H	6 7 Pin+Mating Connector	
	0060 1500	7 1/2"			4 Differential AB only, 5-26VDC, 5-26VDC out (7272)	
	0100 2000	8 5/8"	4 Same as 1 w/cover	5 Differential AB only, 5-26VDC in, 5VDC out (7272)	8 12 Pin+Mating Connector	
	0120 2048	9 15mm	5 Same as 3 w/cover	A Differential AB only, 5-26VDC in, 5VDC out (4469)	9 10 Pin Bayonet+Mating Connector	
	0200 2400	A 16mm	C Same as A with 56C cover (Single Only)	C Differential AB only, 5-15VDC in, 5-15VDC out (4469)	A 0.5m (18") Cable	
	0240 2500	C 19mm	Available when Code 5 is D,E,F,G, Q, R	L Same as "4" with Extended temp range	C 1m (36") Cable	
	0250 3072	D 3/4"		6 Same as 1 w/dual cover	M Same as "5" with Extended temp range	D 2m (72") Cable
	0300 4000	E 20mm	7 Same as 3 w/dual cover	Not available when Code 6 is 0, 1, 5, 6, or H	E Dual isolated outputs, same as "6"	
	0360 4096	F 7/8"	8 Same as 2 w/ 180 C-face cover (single or dual output)		6 Differential ABZ, 5-26VDC in, 5VDC out (7272)	F 0.3m (13") Cable with 10-Pin Bulk-head Connector and Mate
5000	G 24mm	A Rod tether	7 Differential ABZ, 5-26VDC in, 5-26VDC out (7272)	G 0.3m (13") Cable		
	H 1"	B Rod tether with ground strap.	8 Differential ABZ, 5-26VDC in, 5VDC out (4469)	H 5 Pin M12 Connector		
	J 1-1/8"	D Same as B with 56C cover (Single Output)	9 Differential ABZ, 5-15VDC in, 5-15VDC out (4469)	J 8 Pin M12 Connector		
	M 14mm	Not Electrically Isolated	D Dual isolated outputs, same as "6"			
	N 18mm		E Dual isolated outputs, same as "7"			
	P 25mm		F Dual isolated outputs, same as "8"			
	R 28mm	G Dual isolated outputs, same as "9"	N Same as "6" with Extended temp range			
		K 1-1/4"	P Same as "7" with Extended temp range			
			Q Same as "D" with Extended temp range			
			R Same as "E" with Extended temp range			
			W ABZ, 10-24VDC Line Driver for cable runs up to 500 ft/120m using the Dynapar cable assemblies listed below			

Cable Assemblies with MS Connector*

108594-XXXX	6 Pin MS, Cable Assy. For Use with Single Ended Outputs
112123-XXXX	6 Pin MS, Cable Assy. For Use with Differential Line Driver w/o Index Outputs
108595-XXXX	7 Pin MS, Cable Assy. For Use with Single Ended Outputs
108596-XXXX	7 Pin MS, Cable Assy. For Use with Differential Line Driver w/o Index Outputs
1400635-XXXX	10 Pin MS, Cable Assy. For Use with Differential Line Driver with Index Outputs
114448-XXXX	10 Bayonet, Cable Assy. For Use with Differential Line Driver with Index Outputs
109209-XXXX	NEMA4 10 pin MS, Cable Assy. For Use with Differential Line Driver with Index Outputs

Cable Assemblies with M23 Connector*

108615-XXXX	12 M23, Cable Assy. For Use with Differential Line Driver with Index Outputs, CCW
--------------------	---

Cable Assemblies with M12 Connector*

112859-XXXX	5 Pin M12, Cable Assy. For Use with Single Ended Outputs
112860-XXXX	8 Pin M12, Cable Assy. For Use with Single Ended Outputs
112860-XXXX	8 Pin M12, Cable Assy. For Use with Differential Line Driver Outputs

Mating Connectors (no cable)

MCN-N4	6 pin, style MS3106A-14S-6S
MCN-N5	7 pin, style MS3106A-16S-1S
MCN-N6	10 pin, style MS3106A-18-1S
MCN-N6N4	10 pin, NEMA4 style
MCN-B1	10 pin bayonet, style MS3116-F12-10S
MCN-C2	12 Pin CCW M23 Connector

Accessory Kits:

114573-0001	Tether Kit, 4.5" C-Face Single Point with 3/8" Bolt
114574-0001	Tether Kit, Slotted with T-bolts for Standard AC Motor Fan Covers
114575-0001	Tether Kit, 8.5" C-Face Single Point with 1/2" Bolt
114591-0001	Cover Kit, Fan Cover
114592-0001	Cover Kit, Fan Cover
114593-0001	Dual Cover Kit, 56 C-Face
114928-0001	Dual Cover Kit, 180 C-Face
114594-0001	Dual Cover Kit, Fan Cover
116233-0001	Rod Tether Only
116233-0002	Rod Tether + 56 C-Face Cover (Single)
116233-0004	Rod Tether + Grounding Strap
116233-0005	Rod Tether + Grounding Strap +56 C-Face Cover (Single)

*Note: Standard cable length is 10 feet but may be ordered in any length in 5 foot increments. For example, for a 20 foot cable, replace XXXX with -0020.

SERIES HS35R



ELECTRICAL CONNECTIONS

6, 7 & 10 Pin MS Connectors and Cables - Code 6 = 0 to 9, A to G

Connector & mate/accessory cable assembly pin numbers and wire color information is provided here for reference. Models with direct cable exit carry the same color coding as shown for each output configuration.

Encoder Function	Cable #108594-XXXX 6 Pin Single Ended		Cable #112123-XXXX 6 Pin Dif Line Drv w/o Index		Cable #108596-XXXX 7 Pin Dif Line Drv w/o Index		Cable #108595-XXXX 7 Pin (If Used)		**Cable #109209-XXXX or 1400635XXXX 10 Pin Differential Line Driver w/ Index		Cable #114448-XXXX 10 Pin Bayonet		Cable #108615-XXXX 12 Pin CCW		Cable Exit with Seal
	Pin	Wire Color	Pin	Wire Color	Pin	Wire Color	Pin	Wire Color	Pin	Wire Color	Pin	Wire Color	Pin	Wire Color	Wire Color
Sig. A	E	BRN	E	BRN	A	BRN	A	BRN	A	BRN	A	BRN	5	BRN	BRN
Sig. B	D	ORN	D	ORN	B	ORN	B	ORN	B	ORN	B	ORN	8	ORN	ORN
Sig. Z*	C	YEL	—	—	—	—	C	YEL	C	YEL	C	YEL	3	YEL	YEL
Power +V	B	RED	B	RED	D	RED	D	RED	D	RED	D	RED	12	RED	RED
N/C	F	—	—	—	—	—	E	—	E	—	E	—	7	—	—
Com	A	BLK	A	BLK	F	BLK	F	BLK	F	BLK	F	BLK	10	BLK	BLK
Case	—	—	—	—	G	GRN	G	GRN	G	GRN	G	GRN	9	—	GRN
Sig. \bar{A}	—	—	C	BRN/WHT	C	BRN/WHT	—	—	H	BRN/WHT	H	BRN/WHT	6	BRN/WHT	BRN/WHT
Sig. \bar{B}	—	—	F	ORN/WHT	E	ORN/WHT	—	—	I	ORN/WHT	J	ORN/WHT	1	ORN/WHT	ORN/WHT
Sig. \bar{Z}^*	—	—	—	—	—	—	—	—	J	YEL/WHT	K	YEL/WHT	4	YEL/WHT	YEL/WHT
0V Sense	—	—	—	—	—	—	—	—	—	—	—	—	2	BLK/WHT	—
5V Sense	—	—	—	—	—	—	—	—	—	—	—	—	11	GRN	—

5 & 8 Pin M12 Accessory Cables when Code 6 = H or J

Connector pin numbers and cable assembly wire color information is provided here for reference.

Encoder Function	Cable # 112859-XXXX 5 Pin Single Ended		Cable # 112860-XXXX 8 Pin Single Ended		Cable # 112860-XXXX 8 Pin Differential	
	Pin	Wire Color	Pin	Wire Color	Pin	Wire Color
Sig. A	4	BLK	1	BRN	1	BRN
Sig. B	2	WHT	4	ORG	4	ORG
Sig. Z*	5	GRY	6	YEL	6	YEL
Power +V	1	BRN	2	RED	2	RED
Com	3	BLU	7	BLK	7	BLK
Sig. \bar{A}	—	—	—	—	3	BRN/WHT
Sig. \bar{B}	—	—	—	—	5	ORG/WHT
Sig. \bar{Z}^*	—	—	—	—	8	YEL/WHT

1) Cable Configuration (Table 1): PVC jacket, 105 °C rated, overall foil shield; 3 twisted pairs 24 AWG (output signals), plus 2 twisted pairs 22 AWG (input power)

2) Cable Configuration (Table 2): PVC jacket, 105°C rated, overall foil shield; 24 AWG conductors, minimum

3) Standard cable length is 10 feet but may be ordered in any length in 5 foot increments. For example, for a 20 foot cable, replace -XXXX with -0020

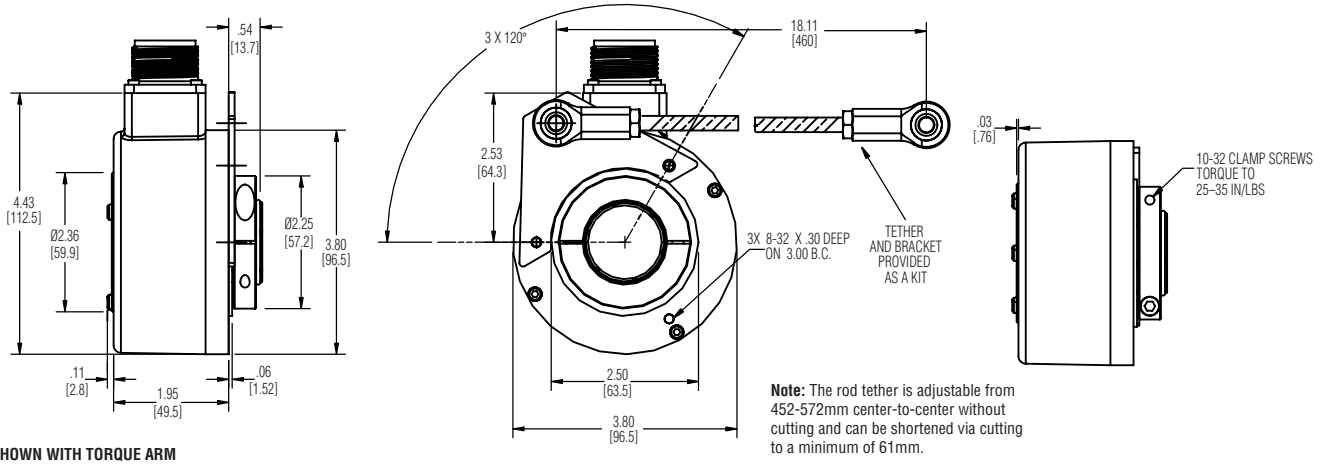
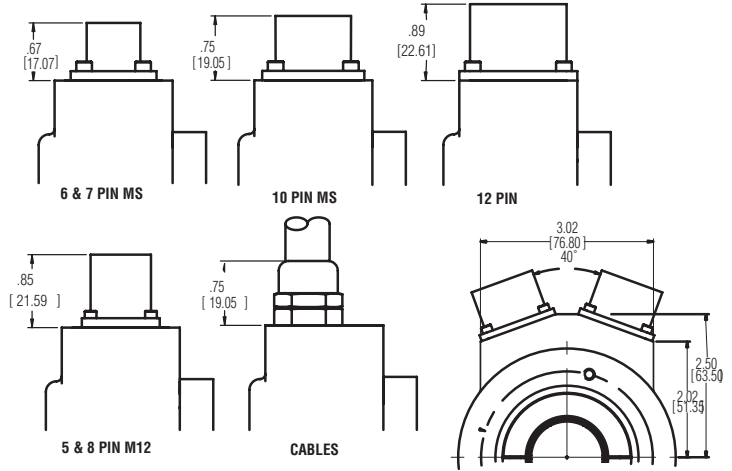
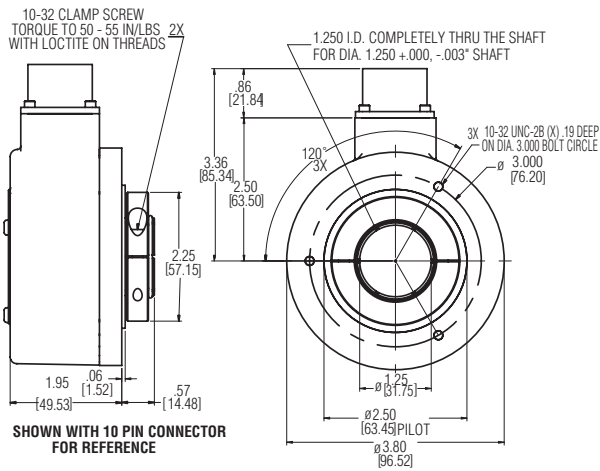
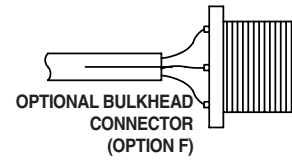
4) *Index not provided on all models. See ordering information.

5) **For watertight applications, use NEMA4 10 pin cable & connector 109209-XXXX.

6) "MS" Type mating connectors and pre-build cables are rated NEMA 12

7) "M12" Cable assemblies are rated IP67

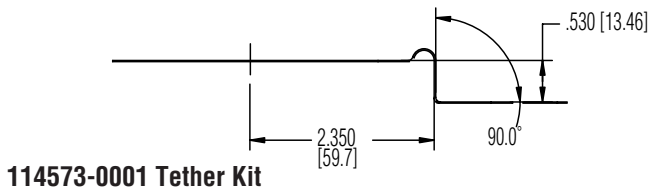
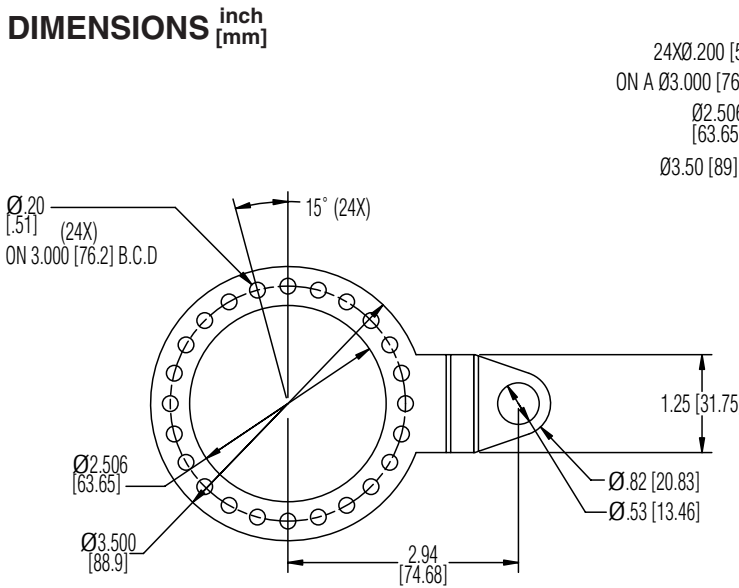
DIMENSIONS inch [mm]



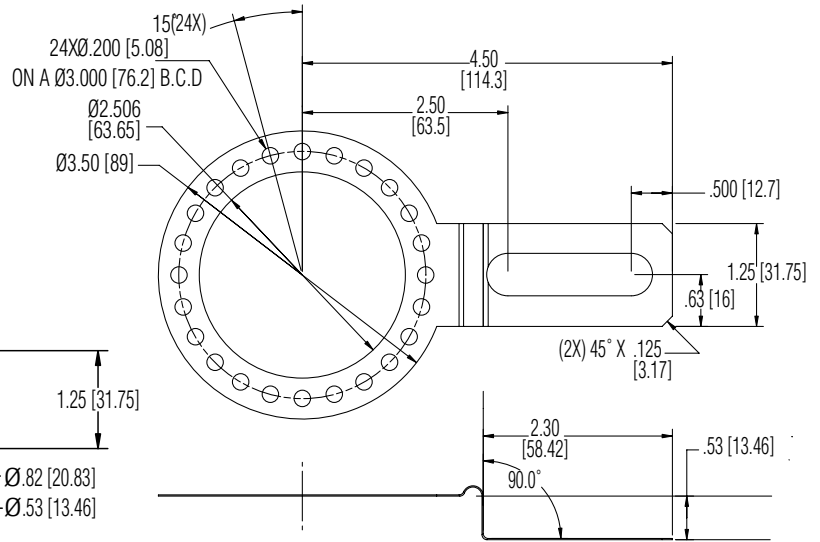
SERIES HS35R



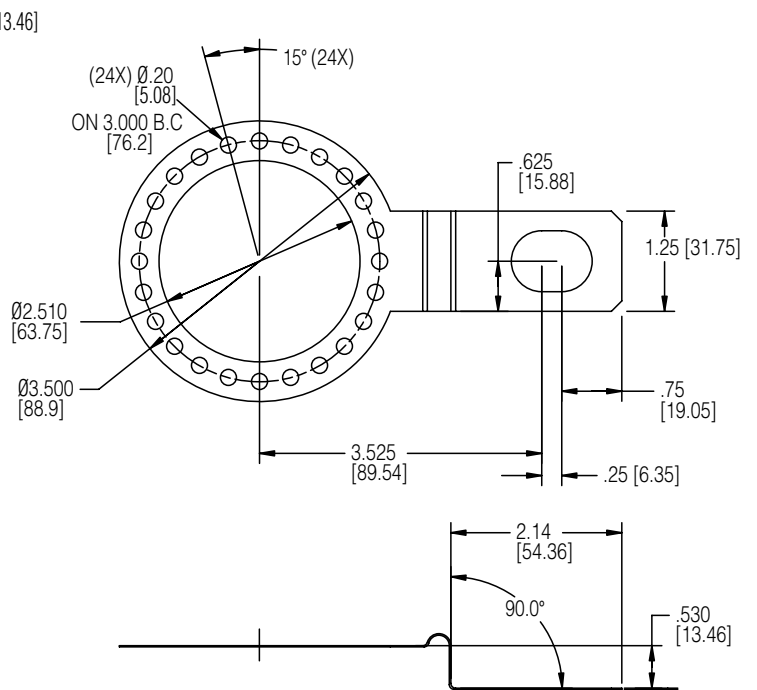
DIMENSIONS inch [mm]



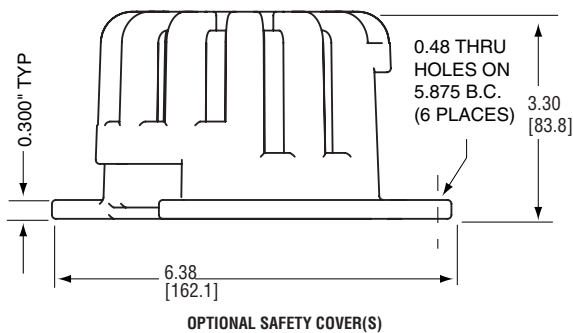
114573-0001 Tether Kit



114574-0001 Slotted Tether Kit



114575-0001 Tether Kit



OPTIONAL SAFETY COVER(S)



WWW.DYNAPAR.COM

Headquarters: 1675 Delany Road • Gurnee, IL 60031-1282 • USA

Customer Service:
Tel.: +1.800.873.8731
Fax: +1.847.662.4150
custserv@dynapar.com

Technical Support
Tel.: +1.800.234.8731
Fax: +1.847.662.4150
northstar.techsupport@dynapar.com

European Sales Representative
Hengstler GmbH
Uhlstrandstrasse 49, 78554 Aldingen
Germany
www.hengstler.com

Dynapar™ brand is a trademark of DYNAPAR. All rights reserved. Specifications subject to change without notice. Document No. 702761-0002, Rev. Z ©2017 Dynapar