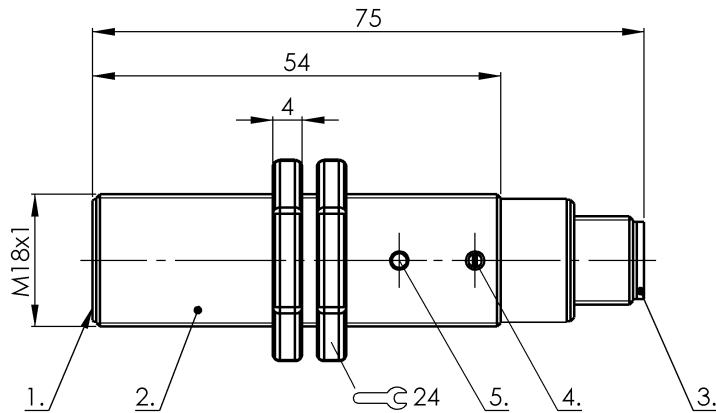


BCS M18B4G2-PSC80C-S04G BCS0047



1) Sensing surface 2) Housing 3) Cover 4) Potentiometer 5) LED function indicator



Electrical connection

Connection	M12x1-Connector, 4-pole, A-coded
Polarity reversal protected	yes
Short-circuit protection	yes

Electrical data

MTTF (40 °C)	300 a
Operating voltage U_b	10...35 VDC
Protected against miswiring	yes
Rated insulation voltage U_i	75 V DC
Rated operating current I_e DC	300 mA
Utilization category	DC -13

Environmental conditions

Ambient temperature	-30...70 °C
---------------------	-------------

Functional safety

Diagnostic coverage	0 %
Functional safety	no

General data

Approval/Conformity	CE cULus
---------------------	-------------

Basic standard

IEC 60947-5-2

Material

Cover material	PA
Housing material	Stainless steel (1.4301)
Material cover	PA

Mechanical data

Installation	for flush mounting
--------------	--------------------

Output/Interface

Switching output	PNP Normally open (NO)
------------------	------------------------

Range/Distance

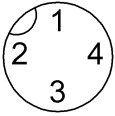
Range	8 mm
Rated operating distance S_n	8 mm
Temperature drift max. (% of S_r)	15 %

For further information on MTTF/B10d, please refer to the MTTF / B10d Certificate.

Specification of the MTTF value and the B10d value do not represent any binding quality and/or life expectancy guarantees.

BCS M18B4G2-PSC80C-S04G
BCS0047

Connector view



Wiring Diagram

