

## Type 2+3 AC Surge Protector DS40VG series

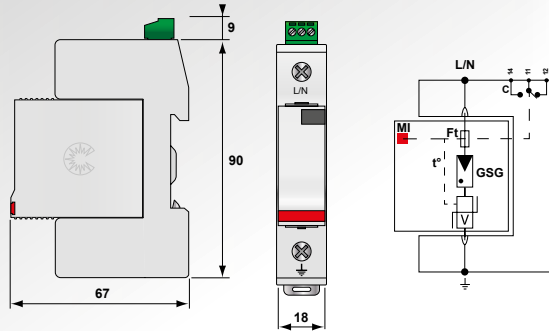


# CITEL

**Imax  
40 kA**



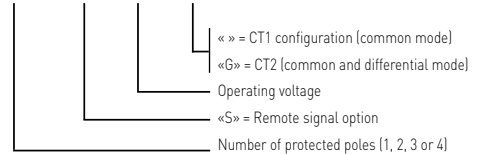
DS41VG-120



GSG: Specific GDT  
V: Varistor  
Ft: Thermal fuse  
C: Remote signaling contact  
t°: Disconnection system  
Mi : Mechanical indicator

- Type 2 + 3 surge protector
- In 20 kA / I<sub>max</sub> 40 kA
- Pluggable module
- Follow and operating current : none
- No ageing
- Optional remote signaling state
- Optimized to TOV
- EN 61643-11, IEC 61643-11 and UL 1449 ed.4 compliance

### DS4x VGx-xxx/G



## Characteristics

CITEL Model	DS41VG-230	DS41VG-120
Description	Type 2+3 AC surge protector - one-phase - pluggable	
Network	230/400 V	120/208V
Max. AC operating voltage	Uc 255 Vac	150 Vac
Temporary Over Voltage (TOV) Characteristics - 5 sec.	UT 335 Vac withstand	180 Vac withstand
Temporary Over Voltage (TOV) Characteristics - 120 mn	UT 440 Vac withstand	230 Vac withstand
Residual current - Leakage current at U <sub>c</sub>	I <sub>pe</sub> None	None
Follow current	I <sub>f</sub> None	None
Nominal discharge current - 15 x 8/20 μs impulses	I <sub>n</sub> 20 kA	20 kA
Max. discharge current - max. withstand @ 8/20 μs by pole	I <sub>max</sub> 40 kA	40 kA
Withstand on Combination waveform - Class III test	U <sub>oc</sub> 6 kV	6 kV
Protection level @ I <sub>n</sub>	U <sub>p-in</sub> 0.8 kV	0.6 kV
Protection level	U <sub>p</sub> 1.25 kV	1.25 kV
Admissible short-circuit current	I <sub>scrr</sub> 25000 A	25000 A
<b>Associated disconnectors</b>		
Thermal disconnector	internal	
Fuses	Fuses Type gG - 50 A*	
Installation ground fault breaker	Type «S» or delayed	
<b>Mechanical characteristics</b>		
Dimensions	see diagram	
Connection to Network	By screw terminals: 2.5-25 mm <sup>2</sup> / by bus	
Disconnection indicator	1 mechanical indicator	
Remote signaling of disconnection	option DS41VGS-230 : output on changeover contact	option DS41VGS-120 : output on changeover contact
Spare unit	DSM40VG-230	DSM40VG-120
Mounting	Symmetrical rail 35 mm (EN60715)	
Operating temperature	-40/+85°C	
Protection rating	IP20	
Housing material	Thermoplastic UL94-V0	
Standards compliance	IEC 61643-11 / EN 61643-11 / UL1449 ed.4	
Certification	EAC	
<b>Part number</b>	331751	331651

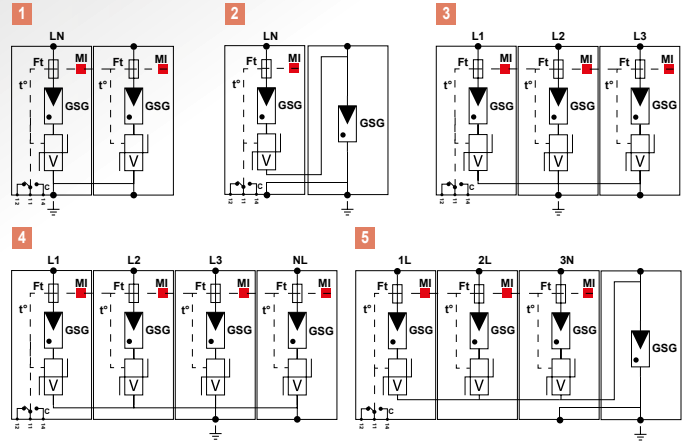
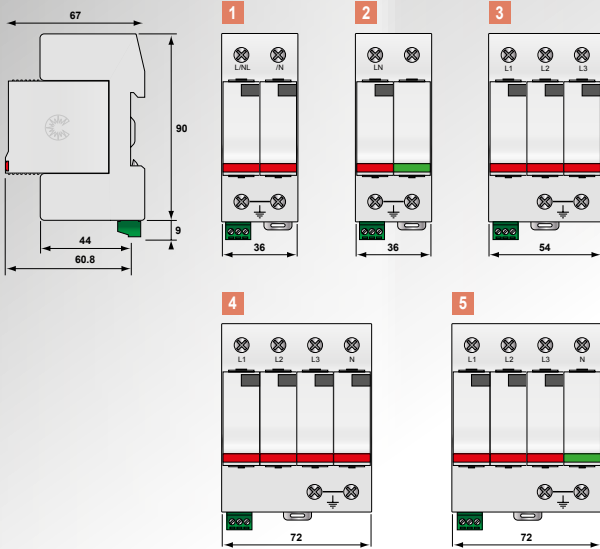
Note 1: Rating in compliance with NF C15-100 art.534.1.3.5.

In order to increase service continuity, higher rating can be used. For further information, please consult product instructions.





## Type 2+3 Multipolar Surge Protector DS42VG, DS43VG, DS44VG



GSG: Specific GDT  
 V: Varistor  
 Ft: Thermal fuse  
 C: Remote signaling contact  
 t°: Disconnection system  
 Mi: Mechanical indicator



DS44VG-230/G



Model	P/N	Network	AC system	Protection Mode	I <sub>total</sub>	Up L/PE	Up L/N	Up N/PE	Diagram
DS44VG-230/G	461562	230/400 V 3-phase+N	TT-TNS	L/N and N/PE	100 kA	-	1.25 kV	1.5 kV	5
DS44VG-120/G	461662	120/208 V 3-phase+N	TT-TNS	L/N and N/PE	100 kA	-	1.25 kV	1.5 kV	
DS44VG-230	461552	230/400 V 3-phase+N	TNS	L/PE and N/PE	160 kA	1.25 kV	-	1.25 kV	4
DS44VG-120	461652	120/208 V 3-phase+N	TNS	L/PE and N/PE	160 kA	1.25 kV	-	1.25 kV	
DS43VG-230	461553	230/400V 3-phase	TNC	L/PE	120 kA	1.25 kV	-	-	3
DS43VG-120	461653	120/208V 3-phase	TNC	L/PE	120 kA	1.25 kV	-	-	
DS42VG-230/G	461511	230 V single phase	TT-TN	L/N and N/PE	80 kA	-	1.25 kV	1.5 kV	2
DS42VG-120/G	461661	120V single phase	TT-TN	L/N and N/PE	80 kA	-	1.25 kV	1.5 kV	
DS42VG-230	461551	230V single phase	TN	L/PE and N/PE	80 kA	1.25 kV	-	1.25 kV	1
DS42VG-120	461651	120V single phase	TN	L/PE and N/PE	80 kA	1.25 kV	-	1.25 kV	