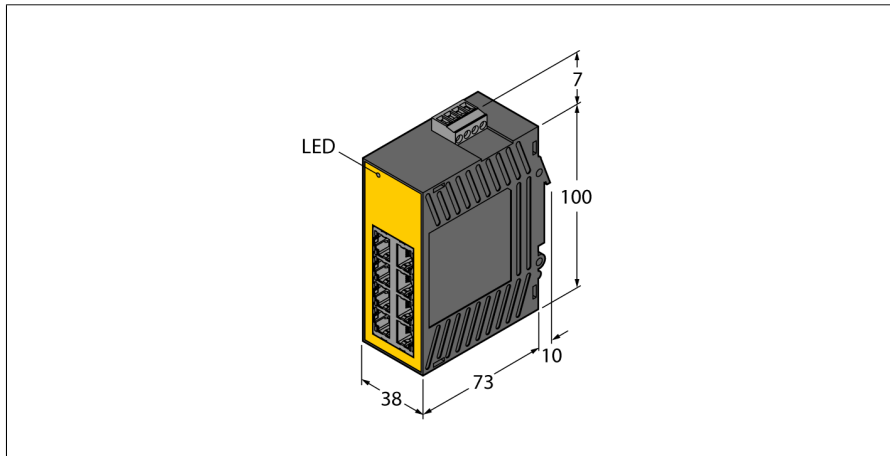


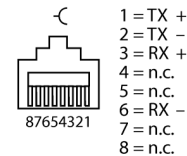
Industrial Ethernet Unmanaged switch SE20-84XT-RJ822



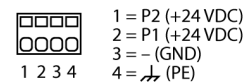
- 10/100 Mbps
- Auto-Negotiation, 10/100 M, half/full duplex
- Auto-Crossing, Auto-Polarity
- Auto-Addressing, aging and migration
- Store-and-Forward data transmission
- IEEE 802.3, 802.3u, 802.3x
- 8 ports
- Ethernet connection: shielded RJ45 sockets
- Power Supply: Removable screw terminals
- Protection class: IP20

Type designation	SE20-84XT-RJ822
Ident no.	U3-10866
Supply voltage	24 VDC
Admissible range	10...30 VDC
Power consumption	≤ 4 W
Transient Protection	15,000 Wp
Spike Protection	5.000 W (10 times for 10 µs)
Voltage supply connection	Pluggable screw terminal strip
Fieldbus transmission rate	10 Mbps/100 Mbps
Ethernet Compliance	IEEE 802.3 (10 Mbps Ethernet) IEEE 802.3u (100 Mbps Ethernet) IEEE 802.3.3 x (Full-Duplex with Flow Control)
Communication Ports	8 ports (unmanaged)
Fieldbus connection technology	RJ45 port
MAC Addresses	1024
Memory bandwidth	3.2 Gbps
Latency (typical)	@100 Mbit/s: 5 µs + frame time; @10 Mbit/s: 16 µs + frame time
Electrical isolation	1500 VRMS 1 min.
Electromagnetic compatibility (EMC)	FCC part 15, ICES-003, EN55022, EN61000-6, CE
Dimensions	38.1x76.2x101.6 mm
Weight	261 g
Operating temperature	-40...+60 °C
Storage temperature	-40...+85 °C
Relative humidity	5...95% (non-condensing)
Vibration and shock testing	Acc. to IEC 60068-2-6
Protection class	IP20
Mounting	Mounting on a DIN rail and mounting plate
Housing material	UL94V0 Lexan
Approvals and certificates	UL508/CSA C22.2/14; EN61010-1; UL1604/CSA C22.2/213 (Class 1, Div. 2); EN60079-15 (Zone 2, Category 3); CE (ATEX)
Life cycle MTBF	>1M Hours GB at 35°C per MIL-HNDBK-217F2

RJ45 Fieldbus



Power Supply



Functional principle

Ethernet switches can be used to simplify Ethernet networks and reduce traffic. They perform an important role in traffic management by forwarding messages only to the port that needs them.