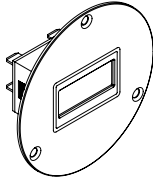
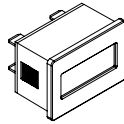


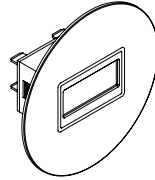
34xx-0xxx
Two Hole Mount



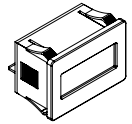
34xx-1xxx
Three Hole Mount



34xx-2xxx
Rectangular Flush Mount



34xx-3xxx
Round Flush Mount



34xx-5xxx
Rectangular Snap-in Mount

Common Specification

Display	LCD 0.28" [7mm] high figures black on light background			
Input Options	MODEL	RANGE	INPUT LOW	INPUT HIGH
	34x0	10-300VDC 20-300VAC	<3VDC <3VAC	>10VDC >20VAC
	34x1	Dry Contact	n/a	n/a
	34x3	3-30VDC	<2VDC	>=3VDC
Power	Self-powered battery life 10+ years			
Terminations	Standard 0.250" [6.4mm] spades			
Approvals	UL & cUL recognized (file # ELIY2.E36690), CE, SAE, NEMA 4/4X/IP66 compliant			
Environmental	Temperature (Storage & Operating): -40°F to + 185°F [-40°C to +85°C] Humidity: 95% RH per SAE J1378 Shock: 44 to 55g's per SAE J1378 Dielectric: 1000VAC 50/60 Hz for 1 minute (34x0 only) Compliance: Compliant to the European WEEE and RoHS Directives Protection Against: Alternator load dump 150V EMI (Electromagnetic Interface) +400V @ 500Hz inductive switching and reverse polarity (34x0 only)			
EMC Compliance	EN61326:2012			
Enclosure	NEMA 4/4X, 12 & IP66 compliant from the front when properly mounted using the optional gasket. (Not applicable in the Snap-In Model)			
Weight	1 oz. [28g]			
Reset Options	34xx-xx0x - Non Reset 34xx-xx1x - Remote Reset / Dry Contact (switch)			

3400 (Totalizer) Specification

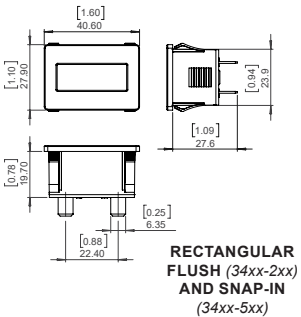
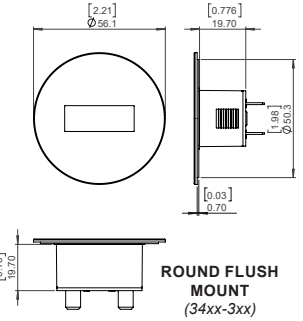
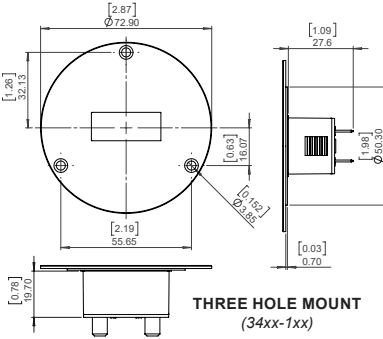
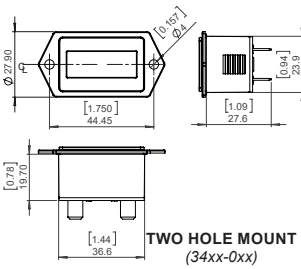
Display	8 digits (99999999)
Max pulse rate	40 pulses per second (Hz)

3410 (Hour Meter) Specification

Display	9999999.9 (hours & 1/10's)
Run Indicator	Blinking decimal point
Accuracy	$\pm 0.1\%$ @ room temperature $\pm 0.2\%$ over the specified temperature range

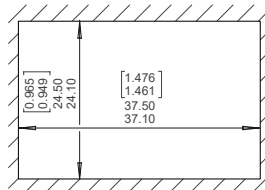
Dimensions

(All dimensions are nominal)



RECTANGULAR FLUSH (34xx-2xx) AND SNAP-IN (34xx-5xx)

Panel Cut-out



Max panel thickness, snap-in housing: .125" [3.18]
 Max panel thickness, without gasket: .375" [9.5]
 Min panel thickness, with or without gasket: .04" [1.0]

Mounting Clip



Clip included (not supplied with snap-in model)

Gaskets (Optional)



Gasket 5003-009
 Max panel thickness: .275" [7.9]
 Gasket thickness: .118" [3.00]



Gasket 5003-010
 Max panel thickness: .275" [7.9]
 Gasket thickness: .118" [3.00]

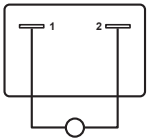


Gasket 5003-017
 Max panel thickness: .313" [6.5]
 Gasket thickness: .062" [1.57]

Wiring Diagrams

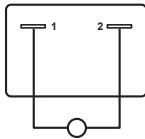
Inputs do not have a polarity and can be wired either way round.

34x3-xxxx



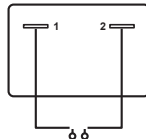
3-30VDC Input

34x0-xxxx



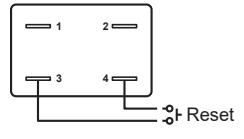
10-300VDC / 20-300VAC Input

34x1-xxxx




Dry Contact Input


34xx-xx1x



Note: Do not connect AC or DC voltages to terminals 3 or 4



CAUTION: RISK OF ELECTRIC SHOCK. INSTALLATION MUST BE CARRIED OUT BY SUITABLY QUALIFIED AND COMPETENT PERSONEL ONLY. HAZARDOUS VOLTAGES MAY BE PRESENT ON THE CONNECTION. THIS PRODUCT CONTAINS AN INTERNAL LITUM BATTERY. DISPOSE OF IN ACCORDANCE WITH LOCAL REQUIREMENTS





Trumeter (Europe)

Trumeter, Pilot Mill, Alfred Street, Bury, Lancashire
 BL9 9EF, United Kingdom
 Tel: +44 161 674 0960
 Email: sales.uk@trumeter.com

Trumeter (Americas)

Trumeter, 702 S. Military Trail, Deerfield Beach, Florida
 FL 33442, USA
 Tel: +1 954 725 6699
 Email: sales.usa@trumeter.com

Asia Pacific Distributor

Innovative Design Technologies Sdn. Bhd, Lot 5881,
 Lorong Iks Bukit Minyak 1
 Taman Perindustrian Iks, 14000 Bukit Tengah
 Penang, Malaysia
 Web: www.idtworld.com
 Tel: + 604 5015700
 Email: info@idtworld.com