

Leadership in fusible  
circuit protection



**EATON**

*Powering Business Worldwide*





# Energizing a world that demands more.

## We deliver:

- **Electrical solutions** that use less energy, improve power reliability and make the places we live and work safer and more comfortable
- **Hydraulic and electrical solutions** that enable machines to deliver more productivity without wasting power
- **Aerospace solutions** that make aircraft lighter, safer and less costly to operate, and help airports operate more efficiently
- **Vehicle drivetrain and powertrain solutions** that deliver more power to cars, trucks and buses, while reducing fuel consumption and emissions

Discover today's Eaton.

## Powering business worldwide

As a global power management company, we help customers worldwide manage the power needed for buildings, aircraft, trucks, cars, machinery and businesses.

Eaton's innovative technologies help customers manage electrical, hydraulic and mechanical power more reliably, efficiently, safely and sustainably.

We provide integrated solutions that help make energy, in all its forms, more practical and accessible.

With 2014 sales of \$22.6 billion, Eaton has approximately 100,000 employees around the world and sells products in more than 175 countries.

[Eaton.com](http://Eaton.com)

# EATON

*Powering Business Worldwide*

Eaton's Bussmann business is the leading source of fusible circuit protection solutions in the global marketplace. Eaton's Bussmann series products are approved for use around the world and meet agency requirements and international standards: IEC, VDE, DIN, UL, CSA, BS and others.

Eaton's Bussmann business European headquarters are in Burton-on-the-Wolds, Leicestershire (UK).

Eaton's Bussmann business manufactures over 50,000 part numbers covering extensive fusible circuit protection solutions for a wide range of applications: residential, industrial, motor protection, power conversion and distribution.

Eaton's Bussmann business has been a leading exponent in the design, development and manufacture of low voltage fuse links and their associated accessories for more than 100 years and has supplied fuse links to more than 90 countries worldwide.

Eaton's Bussmann business team of specialist Engineers and Field Applications Engineers plays a leading role in international standardisation of low voltage fuse links offering comprehensive advice on selection and applications.

With a continual commitment to meet our customers' needs with innovative high quality products with ISO 902 'approval systems', Eaton's Bussmann business is the supplier of choice for circuit protection solutions.

# Table of contents

Industrial and motor applications to BS88 - Standard	6
Offset bolted tags fuse links.....	6
Centre bolted tags fuse links.....	10
Offset bladed tags fuse links.....	18
Special DC range offset/centre bolted tags fuse links.....	21
Offset bolted tags fuse links.....	23
Special tags fuse links.....	24
Industrial and motor applications to BS88 - <b>Red spot</b>	<b>28</b>
Offset bolted tags fuse links.....	28
Centre bolted tags fuse links.....	34
BS88 Fuse holders	44
Camaster fuse holders.....	44
Safeloc fuse holders.....	47
Safeclip fuse holders.....	50
Red spot fuse holders.....	58
Street lighting applications to BS88	69
Cylindrical fuse links.....	69
Offset bolted tags fuse links.....	70
Domestic applications to BS 1361	71
Consumer unit fuse links.....	71
Utility applications to BS88 (BS 1361) - House service cut-out fuse links	72
KR85 and LR85 fuse links.....	72
Modular house service cut-out.....	73
Utility applications to BS88 - J Type fuse links part 5	75
Cylindrical slotted and non slotted types fuse links.....	75
Cylindrical industrial fuse links	81
Class gG, sizes 8 x 31, 10 x 38, 14 x 51 and 22 x 58 mm fuse links.....	81
Class aM, sizes 8 x 31, 10 x 38, 14 x 51 and 22 x 58 mm fuse links.....	86
Modular cylindrical fuse holders	91
10 x38 mm CH Modular fuse holders.....	91
14 x 51 mm CH Modular fuse holders.....	92
22 x 58 mm CH Modular fuse holders.....	94



NH Fuse links	95
NH Product range overview .....	95
400 V a.c., class gG/gL, 2 to 630 Amps, sizes 000 to 3 NH fuse links .....	96
500 V a.c., class gG/gL, 2 to 1250 Amps, sizes 000 to 4 NH fuse links .....	98
690 V a.c., class gG/gL, 2 to 800 Amps, sizes 000 to 4 NH fuse links .....	101
500 and 690 V a.c., class aM, 6 to 500 Amps, sizes 000 to 3 NH fuse links .....	103
NH fuse links dimensions .....	104
NH Fuse bases and accessories	109
SD and TD fuse bases and accessories .....	109
NH Fuse gear	115
EBF Vertical NH Fuse rails .....	115
EBV Vertical NH Fuse switch disconnectors .....	118
EBH000 Horizontal fuse switch disconnectors .....	123
EBH00 to 4 Horizontal fuse switch disconnectors .....	127
EBH00 to 4 Horizontal fuse switch disconnectors .....	133
D & DO Fuse links and bases	135
Type D - Time delay / fast acting / ultra rapid fuse links, bases and accessories .....	139
Type DO - Time delay / ultra rapid fuse links, bases and accessories .....	141
Application information	145
Cross reference	148
Index	150
Contact details	151

# Industrial and motor applications to BS88 - Standard

## Offset bolted tags fuse links

### Specifications

#### Description

Fuse links for general industrial applications with Q1 fusing factor, general purpose (gG) and motor protection (gM) characteristics for general industrial and motor applications.

#### Technical data

Rated voltage:

- gG: up to 550 V a.c. see tables for details
- gM: up to 500 V a.c. see tables for details

Rated current: 2 to 200 A, see tables for details

Breaking capacity: 80 kA up to 550 V a.c. see tables for details

#### Standard/agency information

Meets BS88 Part 1 and 2, IEC 60269 parts 1 and 2

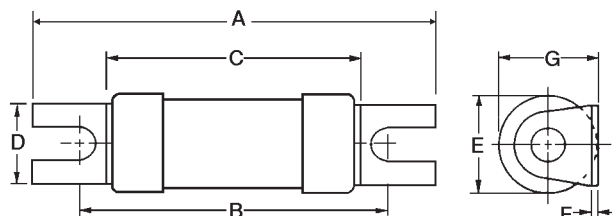
### Product selection

**NITD, class gG, 550 V a.c., 2 to 32 A - class gM, 415 V a.c., 20 to 32 A**



Catalogue numbers	Rated voltage	Rated current (Amps)	Breaking capacity	Operating class	BS Reference	Fixing centre (mm)	Pack quantity	Compatible fuse holders
NITD2	550 V a.c.	2	80 kA at 550 V a.c.	gG	A1	44	20	CM32FC range see page 44
NITD4	550 V a.c.	4	80 kA at 550 V a.c.	gG	A1	44	20	
NITD6	550 V a.c.	6	80 kA at 550 V a.c.	gG	A1	44	20	RS20H range see page 58
NITD10	550 V a.c.	10	80 kA at 550 V a.c.	gG	A1	44	20	
NITD16	550 V a.c.	16	80 kA at 550 V a.c.	gG	A1	44	20	
NITD20	550 V a.c.	20	80 kA at 550 V a.c.	gG	A1	44	20	
NITD25	550 V a.c.	25	80 kA at 550 V a.c.	gG	A1	44	20	CM32FC range see page 44
NITD32	550 V a.c.	32	80 kA at 550 V a.c.	gG	A1	44	20	
NITD20M25	415 V a.c.	20M25	80 kA at 415 V a.c.	gM	A1	44	20	
NITD20M32	415 V a.c.	20M32	80 kA at 415 V a.c.	gM	A1	44	20	
NITD32M40	415 V a.c.	32M40	80 kA at 415 V a.c.	gM	A1	44	20	
NITD32M50	415 V a.c.	32M50	80 kA at 415 V a.c.	gM	A1	44	20	
NITD32M63	415 V a.c.	32M63	80 kA at 415 V a.c.	gM	A1	44	20	

#### Dimensions - mm



Catalogue numbers	A	B	C	D	E	F	G
NITD2-32 and NITD20M25-32	55	44	34.6	11.2	13.8	0.8	14
NITD32M40-63	55	44	35.6	11.2	17.5	1.2	18.5

Data sheet: 4106



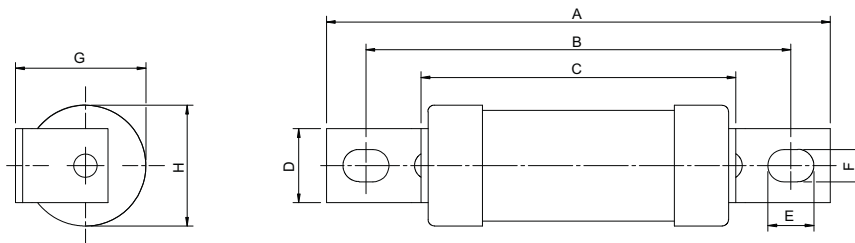
## Offset bolted tags fuse links

### AAO, class gG, 550 V a.c., 2 to 32 A - class gM, 500 V a.c., 32 A



Catalogue numbers	Rated voltage	Rated current (Amps)	Breaking capacity	Operating class	BS Reference	Fixing centre (mm)	Pack quantity	Compatible fuse holders
AA02	550 V a.c.	2	80 kA at 550 V a.c.	gG	A2	73	20	CM32F range see page 44
AA04	550 V a.c.	4	80 kA at 550 V a.c.	gG	A2	73	20	
AA06	550 V a.c.	6	80 kA at 550 V a.c.	gG	A2	73	20	RS32 range see page 58
AA010	550 V a.c.	10	80 kA at 550 V a.c.	gG	A2	73	20	
AA016	550 V a.c.	16	80 kA at 550 V a.c.	gG	A2	73	20	
AA020	550 V a.c.	20	80 kA at 550 V a.c.	gG	A2	73	20	
AA025	550 V a.c.	25	80 kA at 550 V a.c.	gG	A2	73	20	
AA032	550 V a.c.	32	80 kA at 550 V a.c.	gG	A2	73	20	
AA032M40	500 V a.c.	32M40	80 kA at 500 V a.c.	gM	A2	73	20	
AA032M50	500 V a.c.	32M50	80 kA at 500 V a.c.	gM	A2	73	20	
AA032M63	500 V a.c.	32M63	80 kA at 500 V a.c.	gM	A2	73	20	

#### Dimensions - mm



Catalogue numbers	A	B	C	D	E	F	G	H
AA02-32	85	73	35.5	8.7	8	5.5	14	13.7
AA032M40-63	85	73.5	54.5	8.7	8	5.5	22.3	21

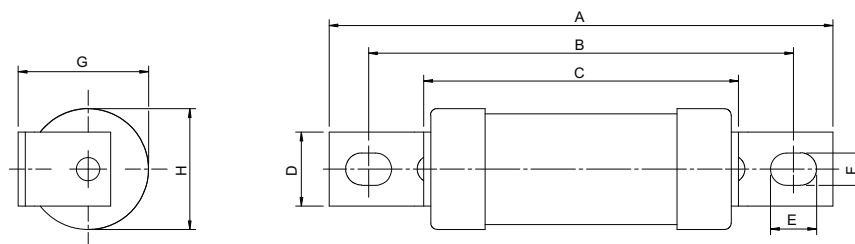
Data sheet: 4109

### BAO, class gG, 500 V a.c., 40 to 63 A - class gM, 500 V a.c., 63 A



Catalogue numbers	Rated voltage	Rated current (Amps)	Breaking capacity	Operating class	BS Reference	Fixing centre (mm)	Pack quantity	Compatible fuse holders
BA040	500 V a.c.	40	80 kA at 500 V a.c.	gG	A3	73	20	CM63F range see page 44
BA050	500 V a.c.	50	80 kA at 500 V a.c.	gG	A3	73	20	
BA063	500 V a.c.	63	80 kA at 500 V a.c.	gG	A3	73	20	RS63 range see page 58
BA063M80	500 V a.c.	63M80	80 kA at 500 V a.c.	gM	A3	73	20	
BA063M100	500 V a.c.	63M100	80 kA at 500 V a.c.	gM	A3	73	20	

#### Dimensions - mm



Catalogue numbers	A	B	C	D	E	F	G	H
BA040-63 and BA063M80-100	87	73.5	54.5	12.7	8	5.5	22.3	21

Data sheet: 4112

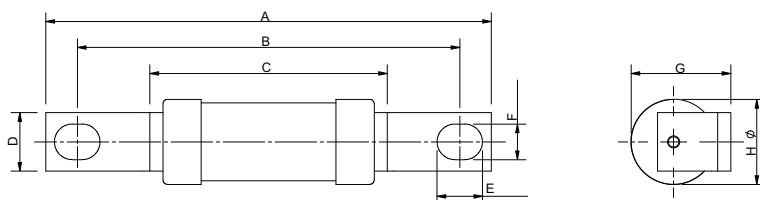
## Offset bolted tags fuse links

### CEO, class gG, 500 V a.c., 32 to 100 A - class gM, 415 V a.c., 100 A



Catalogue numbers	Rated voltage	Rated current (Amps)	Breaking capacity	Operating class	BS Reference	Fixing centre (mm)	Pack quantity	Compatible fuse holder
CEO32	500 V a.c.	32	80 kA at 500 V a.c.	gG	A4	94	10	RS100 range see page 58
CEO40	500 V a.c.	40	80 kA at 500 V a.c.	gG	A4	94	10	
CEO50	500 V a.c.	50	80 kA at 500 V a.c.	gG	A4	94	10	
CEO63	500 V a.c.	63	80 kA at 500 V a.c.	gG	A4	94	10	
CEO80	500 V a.c.	80	80 kA at 500 V a.c.	gG	A4	94	10	
CEO100	500 V a.c.	100	80 kA at 500 V a.c.	gG	A4	94	10	
CEO100M125	415 V a.c.	100M125	80 kA at 415 V a.c.	gM	A4	94	10	
CEO100M160	415 V a.c.	100M160	80 kA at 415 V a.c.	gM	A4	94	10	
CEO100M200	415 V a.c.	100M200	80 kA at 415 V a.c.	gM	A4	94	10	

#### Dimensions - mm



Catalogue numbers	A	B	C	D	E	F	G	H
CEO32-100	109.5	94	58.5	14.3	11	8.7	24.5	21
CEO100M125-160	109	94	58	14.3	11	8.7	26.8	25.8
CEO100M200	110	94	47	19	10	9	29.5	31

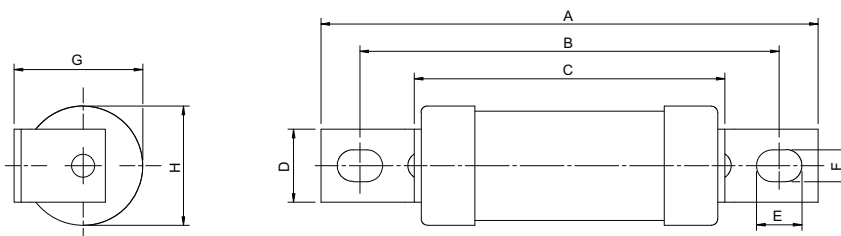
Data sheet: 4115

### OSD, class gG, 500 V a.c., 80 and 100 A - class gM, 415 V a.c., 100 A



Catalogue numbers	Rated voltage	Rated current (Amps)	Breaking capacity	Operating class	Fixing centre (mm)	Pack quantity	Compatible fuse holder
OSD80	500 V a.c.	80	80 kA at 500 V a.c.	gG	73	20	CM100F range see page 44
OSD100	500 V a.c.	100	80 kA at 500 V a.c.	gG	73	20	
OSD100M125	415 V a.c.	100M125	80 kA at 415 V a.c.	gM	73	20	
OSD100M160	415 V a.c.	100M160	80 kA at 415 V a.c.	gM	73	20	

#### Dimensions - mm



Catalogue numbers	A	B	C	D	E	F	G	H
OSD80-100	95	73	54.5	12.7	7.8	5.5	22.3	21
OSD100M125-160	94.5	73	54	12.7	7.8	5.5	24.7	25.7

Data sheet: 4107



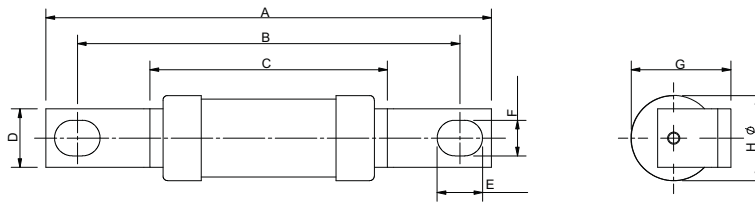
## Offset bolted tags fuse links

**DEO, class gG, 415 V a.c., 125 to 200 A - class gM, 415 V a.c., 200 A**



Catalogue numbers	Rated voltage	Rated current (Amps)	Breaking capacity	Operating class	Fixing centre (mm)	Pack quantity
DEO125	415 V a.c.	125	80 kA at 415 V a.c.	gG	94	5
DEO160	415 V a.c.	160	80 kA at 415 V a.c.	gG	94	5
DEO200	415 V a.c.	200	80 kA at 415 V a.c.	gG	94	5
DEO200M315	415 V a.c.	200M315	80 kA at 415 V a.c.	gM	94	5

### Dimensions - mm



Catalogue numbers	A	B	C	D	E	F	G	H
DEO125-200 and DEO200M315	110	94	47	19	10	9	29.5	31

Data sheet: 4117

## Centre bolted tags fuse links

### Specifications

#### Description

Fuse links for general industrial applications with Q1 fusing factor, general purpose (gG) and motor protection (gM) characteristics for general industrial and motor applications.

#### Technical data

Rated voltage:

- gG: up to 690 V a.c. / 400 V d.c. see tables for details
- gM: up to 550 V a.c./250 V d.c. see tables for details

Consult Eaton's Bussmann business for max time constant data  
buletechnical@eaton.com

Rated current: 2 to 1250 A, see tables for details

Breaking capacity: up to 80 kA see tables for details

#### Standard/agency information

Meets BS88 Part 1 and 2, IEC 60269 parts 1 and 2, in accordance with RoHS 2011/65/IEC.

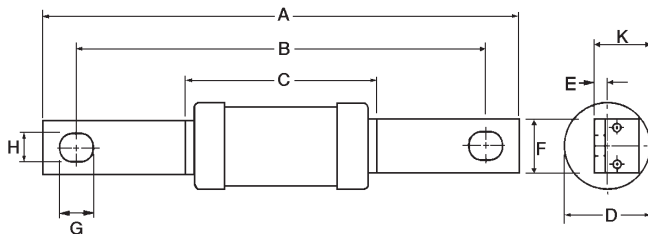
### Product selection

#### AC, class gG, 500 / 550 V a.c and 250 V d.c., 2 to 32 A



Catalogue numbers	Rated voltage	Rated current (Amps)	Breaking capacity	Operating class	Fixing centre (mm)	Pack quantity
AC2	550 V a.c. / 250 V d.c.	2	80 kA at 550 V a.c.	gG	97	20
AC4	550 V a.c. / 250 V d.c.	4	80 kA at 550 V a.c.	gG	97	20
AC6	550 V a.c. / 250 V d.c.	6	80 kA at 550 V a.c.	gG	97	20
AC10	550 V a.c. / 250 V d.c.	10	80 kA at 550 V a.c.	gG	97	20
AC16	550 V a.c. / 250 V d.c.	16	80 kA at 550 V a.c.	gG	97	20
AC20	550 V a.c. / 250 V d.c.	20	80 kA at 550 V a.c.	gG	97	20
AC25	500 V a.c. / 250 V d.c.	25	80 kA at 500 V a.c.	gG	97	20
AC32	500 V a.c. / 250 V d.c.	32	80 kA at 500 V a.c.	gG	97	20

#### Dimensions - mm



Catalogue numbers	A	B	C	D	E	F	G	H	K
AC2-32	113.5	97	55.5	21	1.6	12.7	13.5	7	11.2

Data sheet: 4110



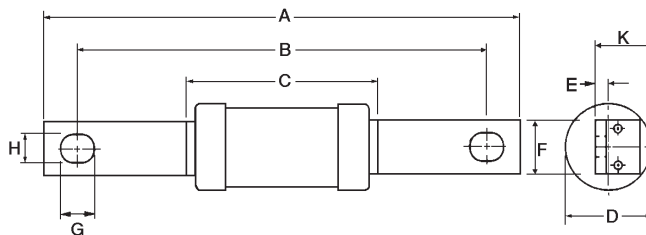
## Centre bolted tags fuse links

**BC, class gG, 500 V a.c and 250 V d.c., 40 to 63 A - class gM 500 V a.c. and 250 V d.c. 63 A**



Catalogue numbers	Rated voltage	Rated current (Amps)	Breaking capacity	Operating class	Fixing centre (mm)	Pack quantity
BC40	500 V a.c. / 250 V d.c.	40	80 kA at 500 V a.c.	gG	97	20
BC50	500 V a.c. / 250 V d.c.	50	80 kA at 500 V a.c.	gG	97	20
BC63	500 V a.c. / 250 V d.c.	63	80 kA at 500 V a.c.	gG	97	20
BC63M80	500 V a.c. / 250 V d.c.	63M80	80 kA at 500 V a.c.	gM	97	20
BC63M100	500 V a.c. / 250 V d.c.	63M100	80 kA at 500 V a.c.	gM	97	20

### Dimensions - mm



Catalogue numbers	A	B	C	D	E	F	G	H	K
BC40-63 and BC63M80-100	113.5	97	55	21	1.6	7	13.5	12.7	11.2

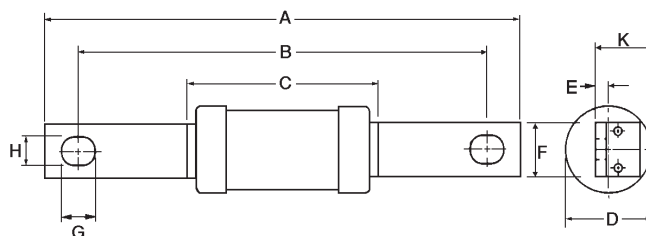
Data sheet: 4113

**AD, class gG, 500 / 550 V a.c and 250 V d.c., 2 to 32 A**



Catalogue numbers	Rated voltage	Rated current (Amps)	Breaking capacity	Operating class	Fixing centre (mm)	Pack quantity	Compatible fuse holder
AD2	550 V a.c. / 250 V d.c.	2	80 kA at 550 V a.c.	gG	111	20	RS200 range see page 58
AD4	550 V a.c. / 250 V d.c.	4	80 kA at 550 V a.c.	gG	111	20	
AD6	550 V a.c. / 250 V d.c.	6	80 kA at 550 V a.c.	gG	111	20	
AD10	550 V a.c. / 250 V d.c.	10	80 kA at 550 V a.c.	gG	111	20	
AD16	550 V a.c. / 250 V d.c.	16	80 kA at 550 V a.c.	gG	111	20	
AD20	550 V a.c. / 250 V d.c.	20	80 kA at 550 V a.c.	gG	111	20	
AD25	500 V a.c. / 250 V d.c.	25	80 kA at 500 V a.c.	gG	111	20	
AD32	500 V a.c. / 250 V d.c.	32	80 kA at 500 V a.c.	gG	111	20	

### Dimensions - mm



Catalogue numbers	A	B	C	D	E	F	G	H	K
AD2-32	128.5	111	55	21	1.4	14.2	11.8	8.7	11.2

Data sheet: 4111

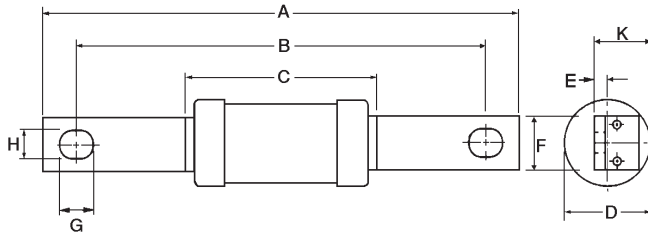
## Centre bolted tags fuse links

### BD, class gG, 500 V a.c and 250 V d.c., 40 to 63 A



Catalogue numbers	Rated voltage	Rated current (Amps)	Breaking capacity	Operating class	Fixing centre (mm)	Pack quantity	Compatible fuse holder
BD40	500 V a.c. / 250 V d.c.	40	80 kA at 500 V a.c.	gG	111	20	RS200 range see page 58
BD50	500 V a.c. / 250 V d.c.	50	80 kA at 500 V a.c.	gG	111	20	
BD63	500 V a.c. / 250 V d.c.	63	80 kA at 500 V a.c.	gG	111	20	

#### Dimensions - mm



Catalogue numbers	A	B	C	D	E	F	G	H	K
BD40-63	128.5	111	55	21	1.4	14.2	11.8	8.7	11.2

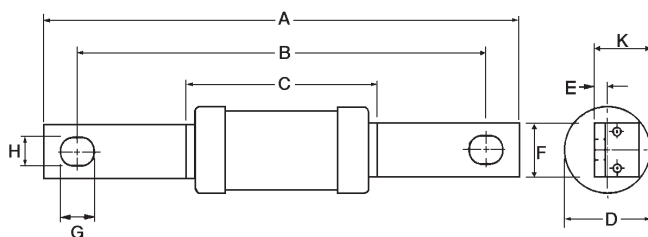
Data sheet: 4114

### CD, class gG, 500 V a.c, 80 and 100 A, class gM, 415 V a.c., 100 A



Catalogue numbers	Rated voltage	Rated current (Amps)	Breaking capacity	Operating class	BS reference	Fixing centre (mm)	Pack quantity	Compatible fuse holder
CD80	500 V a.c.	80	80 kA at 500 V a.c.	gG	B1	111	10	RS200 range see page 58
CD100	500 V a.c.	100	80 kA at 500 V a.c.	gG	B1	111	10	
CD100M125	415 V a.c.	100M125	80 kA at 415 V a.c.	gM	B1	111	10	
CD100M160	415 V a.c.	100M160	80 kA at 415 V a.c.	gM	B1	111	10	
CD100M200	415 V a.c.	100M200	80 kA at 415 V a.c.	gM	B1	111	5	

#### Dimensions - mm



Catalogue numbers	A	B	C	D	E	F	G	H	K
CD80-100	126	111	58.5	21	3.2	14.3	11.1	8.7	19.5
CD100M125-160	126	111	58.5	26	3.2	14.3	11.1	8.7	22
CD100M200	136	111	47	31	3.2	19	12.5	8.7	22.5

Data sheet: 4116

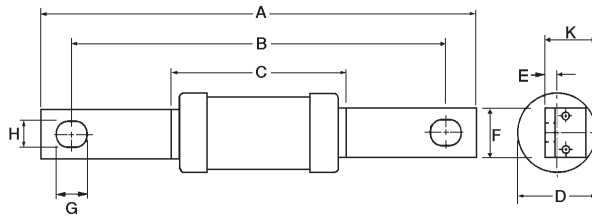
## Centre bolted tags fuse links

**DD, class gG, 415 V a.c., 125 to 200 A, class gM, 415 V a.c., 200 A**



Catalogue numbers	Rated voltage	Rated current (Amps)	Breaking capacity	Operating class	BS reference	Fixing centre (mm)	Pack quantity	Compatible fuse holder
DD125	415 V a.c.	125	80 kA at 415 V a.c.	gG	B2	111	5	RS200 range see page 58
DD160	415 V a.c.	160	80 kA at 415 V a.c.	gG	B2	111	5	
DD200	415 V a.c.	200	80 kA at 415 V a.c.	gG	B2	111	5	
DD200M250	415 V a.c.	200M250	80 kA at 415 V a.c.	gM	B2	111	5	
DD200M315	415 V a.c.	200M315	80 kA at 415 V a.c.	gM	B2	111	5	

### Dimensions - mm



Catalogue numbers	A	B	C	D	E	F	G	H	K
DD125-200 and DD200M250-315	136	111	47	31	3.2	19	12.5	9	22.5

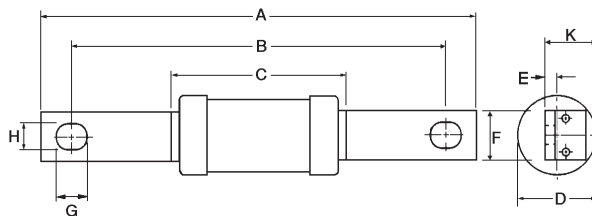
Data sheet: 4118

**ED, class gG, 415 V a.c., 250 to 400 A, class gM, 415 V a.c., 315 and 400 A**



Catalogue numbers	Rated voltage	Rated current (Amps)	Breaking capacity	Operating class	BS reference	Fixing centre (mm)	Pack quantity
ED250	415 V a.c.	250	80 kA at 415 V a.c.	gG	B3/B4	111	1
ED315	415 V a.c.	315	80 kA at 415 V a.c.	gG	B3/B4	111	1
ED355	415 V a.c.	355	80 kA at 415 V a.c.	gG	B3/B4	111	1
ED400	415 V a.c.	400	80 kA at 415 V a.c.	gG	B3/B4	111	1
ED315M400	415 V a.c.	315M400	80 kA at 415 V a.c.	gM	B3/B4	111	1
ED400M500	415 V a.c.	400M500	80 kA at 415 V a.c.	gM	B3/B4	111	1

### Dimensions - mm



Catalogue numbers	A	B	C	D	E	F	G	H	K
ED250	136	111	47	31	4.7	19	12.5	9	22.5
ED315-400 to ED315M400	136	111	50	38	4.7	25.4	12.5	9	31
ED400M500	136	114	75	59	4.7	25.4	12.5	9	31

Data sheet: 4119

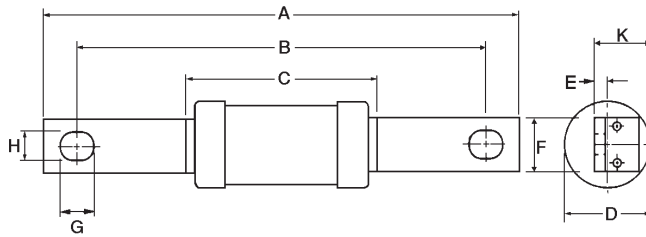
## Centre bolted tags fuse links

### EFS, class gG, 415 V a.c, 125 to 315 A

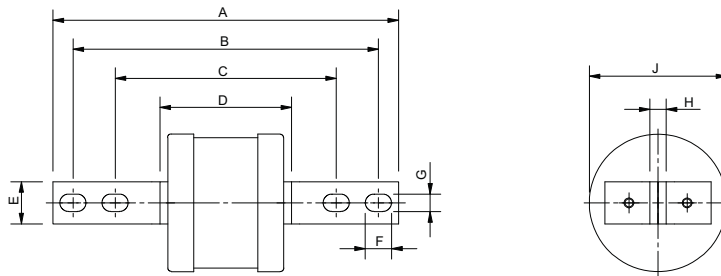


Catalogue numbers	Rated voltage	Rated current (Amps)	Breaking capacity	Operating class	Fixing centre (mm)	Pack quantity	Compatible fuse holder
EFS125	415 V a.c.	125	80 kA at 415 V a.c.	gG	133	1	RS400 range see page 58
EFS160	415 V a.c.	160	80 kA at 415 V a.c.	gG	133	1	
EFS200	415 V a.c.	200	80 kA at 415 V a.c.	gG	133	1	
EFS250	415 V a.c.	250	80 kA at 415 V a.c.	gG	133	1	
EFS315	415 V a.c.	315	80 kA at 415 V a.c.	gG	133 / 184	1	

#### Dimensions - mm



Catalogue numbers	A	B	C	D	E	F	G	H	K
EFS125-250	158	133	47	31	3.2	19	12.5	10.5	22.5



Catalogue numbers	A	B	C	D	E	F	G	H	J
EFS315	209	184	133	50	25.4	12.5	10.5	4.7	38

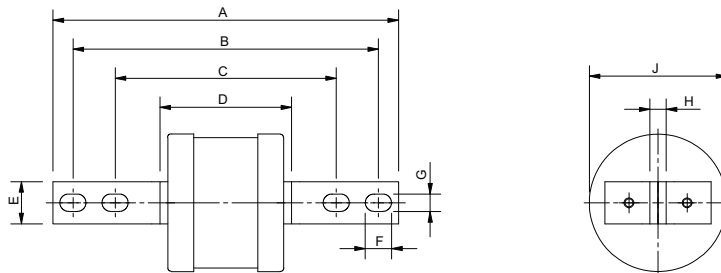
Data sheet: 4121

### EF, class gG, 415 V a.c, 355 and 400 A - class gM, 550 V a.c., 400 A



Catalogue numbers	Rated voltage	Rated current (Amps)	Breaking capacity	Operating class	BS reference	Fixing centre (mm)	Pack quantity	Compatible fuse holder
EF355	415 V a.c.	355	80 kA at 415 V a.c.	gG	C1	133/184	1	RS400 range see page 58
EF400	415 V a.c.	400	80 kA at 415 V a.c.	gG	C1	133/184	1	
EF400M500	550 V a.c.	400M500	80 kA at 550 V a.c.	gM	C1	133/184	1	

#### Dimensions - mm



Catalogue numbers	A	B	C	D	E	F	G	H	J
EF355-400	209	184	133	50	25.4	12.5	10.5	4.7	38
EF400M500	210	184	133	75	25.4	15.5	10.5	4.7	59

Data sheet: 4120

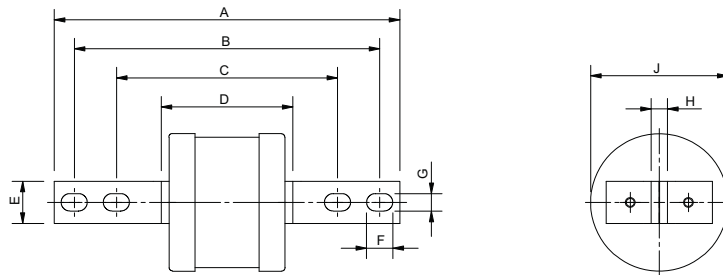
## Centre bolted tags fuse links

**FF, class gG, 690 V a.c., 400 V d.c., 450 to 630 A**



Catalogue numbers	Rated voltage	Rated current (Amps)	Breaking capacity	Operating class	BS reference	Fixing centre (mm)	Pack quantity
FF450	690 V a.c. / 400 V d.c.	450	80 kA at 690 V a.c.	gG	C2	133/184	1
FF500	690 V a.c. / 400 V d.c.	500	80 kA at 690 V a.c.	gG	C2	133/184	1
FF560	690 V a.c. / 400 V d.c.	560	80 kA at 690 V a.c.	gG	C2	133/184	1
FF630	690 V a.c. / 400 V d.c.	630	80 kA at 690 V a.c.	gG	C2	133/184	1

### Dimensions - mm



Catalogue numbers	A	B	C	D	E	F	G	H	J
FF450-630	210	185	134	77.5	25.4	15.5	10.5	6.4	74

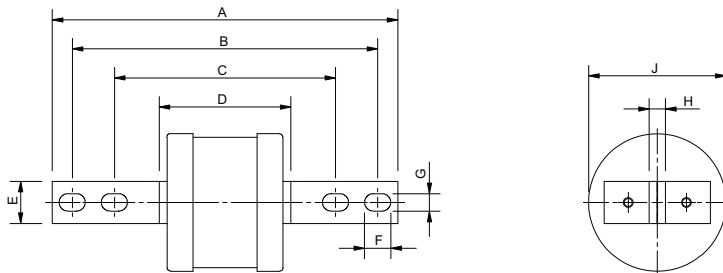
Data sheet: 4102

**GF, class gG, 550 V a.c and 250 V d.c., 710 and 800 A**



Catalogue numbers	Rated voltage	Rated current (Amps)	Breaking capacity	Operating class	BS reference	Fixing centre (mm)	Pack quantity
GF710	550 V a.c. / 250 V d.c.	710	80 kA at 550 V a.c.	gG	C3	133/184	1
GF800	550 V a.c. / 250 V d.c.	800	80 kA at 550 V a.c.	gG	C3	133/184	1

### Dimensions - mm



Catalogue numbers	A	B	C	D	E	F	G	H	J
GF710-800	210	185	134	80.5	25.4	15.5	10.5	9.5	83

Data sheet: 4103



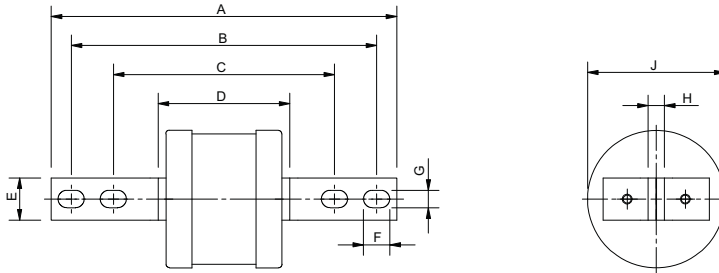
## Centre bolted tags fuse links

### FG, class gG, 550 V a.c and 400 V d.c., 450 to 630 A



Catalogue numbers	Rated voltage	Rated current (Amps)	Breaking capacity	Operating class	Fixing centre (mm)	Pack quantity
FG450	550 V a.c. / 400 V d.c.	450	80 kA at 550 V a.c.	gG	167/231	1
FG500	550 V a.c. / 400 V d.c.	500	80 kA at 550 V a.c.	gG	167/231	1
FG560	550 V a.c. / 400 V d.c.	560	80 kA at 550 V a.c.	gG	167/231	1
FG630	550 V a.c. / 400 V d.c.	630	80 kA at 550 V a.c.	gG	167/231	1

#### Dimensions - mm



Catalogue numbers	A	B	C	D	E	F	G	H	J
FG450-630	262	231	167	77.5	38	15.5	10.5	6.4	74

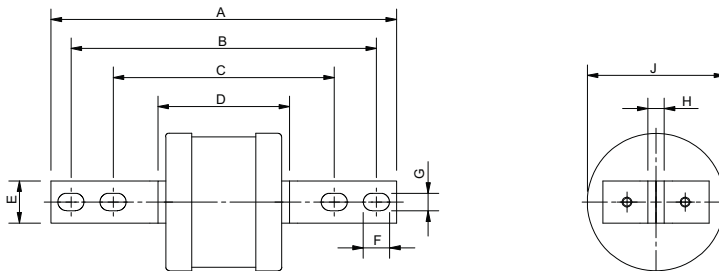
Data sheet: 4122

### GG, class gG, 550 V a.c., 710 to 1250 A



Catalogue numbers	Rated voltage	Rated current (Amps)	Breaking capacity	Operating class	Fixing centre (mm)	Pack quantity
GG710	550 V a.c.	710	80 kA at 550 V a.c.	gG	165/231	1
GG800	550 V a.c.	800	80 kA at 550 V a.c.	gG	165/231	1
GG1000	550 V a.c.	1000	80 kA at 550 V a.c.	gG	165/231	1
GG1250	550 V a.c.	1250	80 kA at 550 V a.c.	gG	165/231	1

#### Dimensions - mm



Catalogue numbers	A	B	C	D	E	F	G	H	J
GG710-800	262	231	167	77.5	38	15.5	10.5	6.4	83
GG1000-1250	262	231	165	84	38	15.5	10.5	12.7	100

Data sheet: 4104

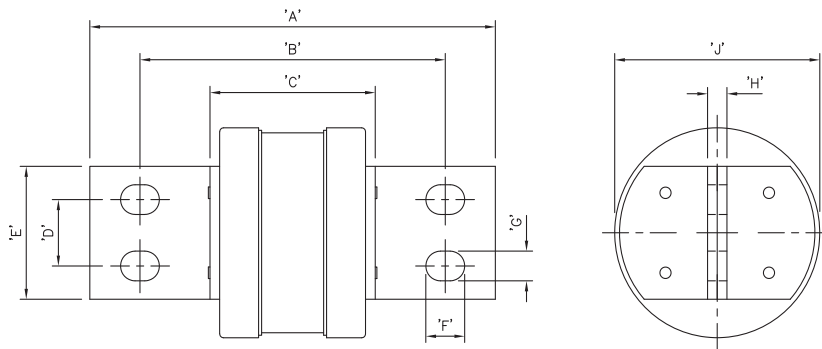
## Centre bolted tags fuse links

**GH, class gG, 550 V a.c., 710 to 1250 A**



Catalogue numbers	Rated voltage	Rated current (Amps)	Breaking capacity	Operating class	BS reference	Fixing centre (mm)	Pack quantity
GH710	550 V a.c.	710	80 kA at 550 V a.c.	gG	DI	149	1
GH800	550 V a.c.	800	80 kA at 550 V a.c.	gG	DI	149	1
GH1000	550 V a.c.	1000	80 kA at 550 V a.c.	gG	DI	149	1
GH1250	550 V a.c.	1250	80 kA at 550 V a.c.	gG	DI	149	1

### Dimensions - mm



Catalogue numbers	A	B	C	D	E	F	G	H	J
GH710-800	198	149	81	32	63.5	19	14	9.5	83
GH1000-1250	198	149	81	32	63.5	19	14	9.5	100

Data sheet: 4108

## Offset bladed tags fuse links

### Specifications

#### Description

Fuse links for general industrial applications with Q1 fusing factor, general purpose (gG) and street lighting applications.

#### Technical data

Rated voltage:

- gG: up to 550 V a.c., see tables for details
- gM: 415 V a.c., see tables for details

Rated current: 2 to 125 A

Breaking capacity: up to 80 kA (see tables for ratings)

#### Standard/agency information

Meets BS88 Part 1 and 2, IEC 60269 parts 1 and 2, in accordance with RoHS 2011/65/IEC.

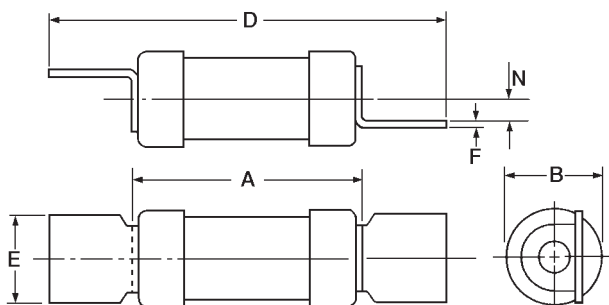
### Product selection

#### SSD, class gG, 240 V a.c., 2 to 32 A



Catalogue numbers	Rated voltage	Rated current (Amps)	Breaking capacity	Operating class	BS reference	Pack quantity	Compatible fuse holder
SSD2	240 V a.c.	2	33 kA at 240 V a.c.	gG	E1	20	SC20 range see page 50
SSD4	240 V a.c.	4	33 kA at 240 V a.c.	gG	E1	20	
SSD6	240 V a.c.	6	33 kA at 240 V a.c.	gG	E1	20	
SSD10	240 V a.c.	10	33 kA at 240 V a.c.	gG	E1	20	
SSD16	240 V a.c.	16	33 kA at 240 V a.c.	gG	E1	20	
SSD20	240 V a.c.	20	33 kA at 240 V a.c.	gG	E1	20	
SSD25	240 V a.c.	25	33 kA at 240 V a.c.	gG	E1	20	
SSD32	240 V a.c.	32	33 kA at 240 V a.c.	gG	E1	20	

#### Dimensions - mm



Catalogue numbers	A	B	D	E	F	N
SSD2-32	23	12	47	13	0.8	3.2

Data sheet: 4105

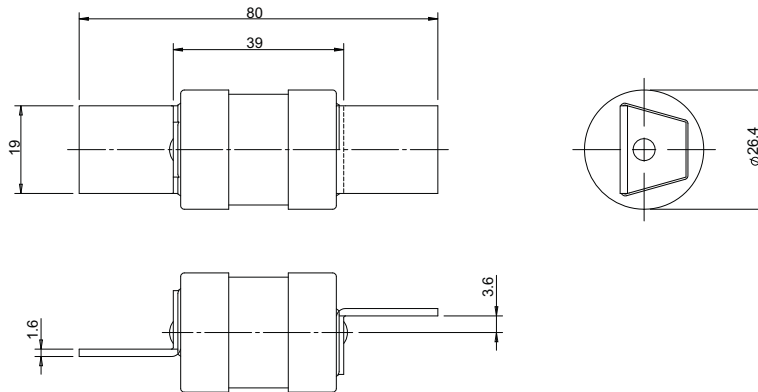
## Offset bladed tags fuse links

### XS, class gG, 440 V a.c, 6 to 100 A, 415 V a.c. 125 A



Catalogue numbers	Rated voltage	Rated current (Amps)	Breaking capacity	Operating class	Pack quantity	Compatible fuse holder
XS6	440 V a.c.	6	80 kA at 440 V a.c.	gG	10	SC125H-D see page 50
XS16	440 V a.c.	16	80 kA at 440 V a.c.	gG	10	
XS20	440 V a.c.	20	80 kA at 440 V a.c.	gG	10	
XS32	440 V a.c.	32	80 kA at 440 V a.c.	gG	10	
XS40	440 V a.c.	40	80 kA at 440 V a.c.	gG	10	
XS50	440 V a.c.	50	80 kA at 440 V a.c.	gG	10	
XS63	440 V a.c.	63	80 kA at 440 V a.c.	gG	10	
XS80	440 V a.c.	80	80 kA at 440 V a.c.	gG	10	
XS100	440 V a.c.	100	80 kA at 440 V a.c.	gG	10	
XS125	415 V a.c.	125	80 kA at 415 V a.c.	gG	10	

### Dimensions - mm



### NSD, class gG, 550 V a.c., 2 to 32 A - class gM, 415 V a.c., 20 and 32 A



Catalogue numbers	Rated voltage	Rated current (Amps)	Breaking capacity	Operating class	BS reference	Pack quantity	Compatible fuse holders
NSD2	550 V a.c.	2	80 kA at 550 V a.c.	gG	F1	20	32NNS range see page 47
NSD4	550 V a.c.	4	80 kA at 550 V a.c.	gG	F1	20	
NSD6	550 V a.c.	6	80 kA at 550 V a.c.	gG	F1	20	SC32 range see page 50
NSD10	550 V a.c.	10	80 kA at 550 V a.c.	gG	F1	20	
NSD16	550 V a.c.	16	80 kA at 550 V a.c.	gG	F1	20	
NSD20	550 V a.c.	20	80 kA at 550 V a.c.	gG	F1	20	
NSD25	550 V a.c.	25	80 kA at 550 V a.c.	gG	F1	20	
NSD32	550 V a.c.	32	80 kA at 550 V a.c.	gG	F1	20	
NSD20M25	415 V a.c.	20M25	80 kA at 415 V a.c.	gM	F1	20	32NNS range see page 47
NSD20M32	415 V a.c.	20M32	80 kA at 415 V a.c.	gM	F1	20	
NSD20M36	415 V a.c.	20M36	80 kA at 415 V a.c.	gM	F1	20	
NSD32M36	415 V a.c.	32M36	80 kA at 415 V a.c.	gM	F1	20	
NSD32M40	415 V a.c.	32M40	80 kA at 415 V a.c.	gM	F1	20	
NSD32M50	415 V a.c.	32M50	80 kA at 415 V a.c.	gM	F1	20	
NSD32M63	415 V a.c.	32M63	80 kA at 415 V a.c.	gM	F1	20	

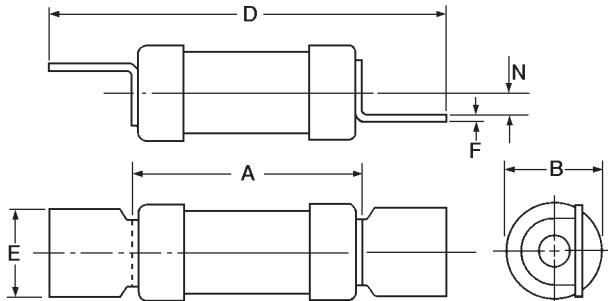
See dimensions page 20

Data sheet: 4100

## Offset bladed tags fuse links

**NSD, class gG, 550 V a.c., 2 to 32 A - class gM, 415 V a.c., 20 and 32 A**

**Dimensions - mm**



Catalogue numbers	A	B	D	E	F	N
NSD2-32 and NSD20M25-32	34.5	13.8	59.5	12.7	0.8	3.5
NSD32M36-63	34.5	17.5	58.2	12.7	0.8	3.5

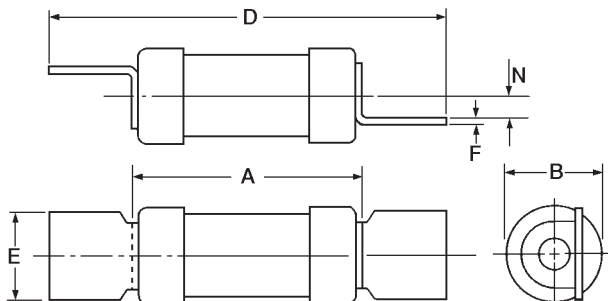
Data sheet: 4100

**ESD, class gG, 415 - 550 V a.c, 2 to 63 A - class gM, 415 V a.c., 63 A**



Catalogue numbers	Rated voltage	Rated current (Amps)	Breaking capacity	Operating class	BS reference	Pack quantity	Compatible fuse holders
ESD2	550 V a.c.	2	80 kA at 550 V a.c.	gG	F2	20	63ENS range see page 47
ESD4	550 V a.c.	4	80 kA at 550 V a.c.	gG	F2	20	63ENS range see page 47
ESD6	550 V a.c.	6	80 kA at 550 V a.c.	gG	F2	20	SC63 range see page 50
ESD10	550 V a.c.	10	80 kA at 550 V a.c.	gG	F2	20	SC63 range see page 50
ESD16	550 V a.c.	16	80 kA at 550 V a.c.	gG	F2	20	
ESD20	550 V a.c.	20	80 kA at 550 V a.c.	gG	F2	20	
ESD25	550 V a.c.	25	80 kA at 550 V a.c.	gG	F2	20	
ESD32	550 V a.c.	32	80 kA at 550 V a.c.	gG	F2	20	
ESD40	415 V a.c.	40	80 kA at 550 V a.c.	gG	F2	20	
ESD50	415 V a.c.	50	80 kA at 550 V a.c.	gG	F2	20	
ESD63	415 V a.c.	63	80 kA at 550 V a.c.	gG	F2	20	
ESD63M80	415 V a.c.	63M80	80 kA at 415 V a.c.	gM	F2	20	63ENS range see page 47
ESD63M100	415 V a.c.	63M100	80 kA at 415 V a.c.	gM	F2	20	63ENS range see page 47

**Dimensions - mm**



Catalogue numbers	A	B	D	E	F	N
ESD2-32	35.5	13.8	68	15	1.2	3.5
ESD40-63	35.5	17.5	68	15	1.2	3.5
ESD63M80-100	35.5	21	68	15	1.2	3.5

Data sheet: 4101



## Special DC range offset/centre bolted tags fuse links

### Specifications

#### Description

Fuse links for industrial DC applications available in offset and centre bolted tags for the protection of DC electrical circuits.

#### Technical data

Rated voltage: 500 V d.c. (max 20 mS time constant)\*  
 Rated current: 10 to 63 A  
 Breaking capacity: 40 kA at 500 V d.c.

#### Standard/agency information

Meets BS88 Part 1 and 2, in accordance with RoHS 2011/65/IEC.

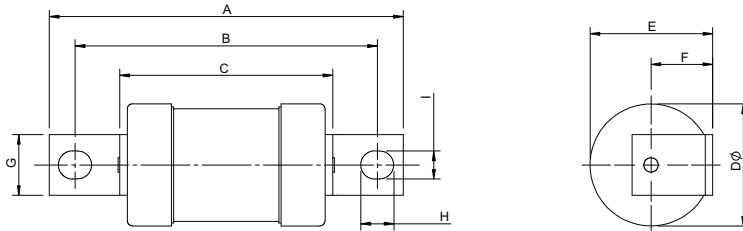
### Product selection

#### HS07, class gG, 500 V d.c, 10 to 32 A, offset bolted tags



Catalogue numbers	Rated voltage	Rated current (Amps)	Breaking capacity*	Operating class	Fixing centre (mm)	Pack quantity	Compatible fuse holder
10HS07	500 V d.c.	10	40 kA at 500 V d.c.*	gG	73	20	CM32F range see page 44
16HS07	500 V d.c.	16	40 kA at 500 V d.c.*	gG	73	20	
20HS07	500 V d.c.	20	40 kA at 500 V d.c.*	gG	73	20	
25HS07	500 V d.c.	25	40 kA at 500 V d.c.*	gG	73	20	
32HS07	500 V d.c.	32	40 kA at 500 V d.c.*	gG	73	20	

#### Dimensions - mm



Catalogue numbers	A	B	C	D	E	F	G	H	I
10-32HS07	82.3	73	52	22	22.4	11.5	8.7	7.7	5.4

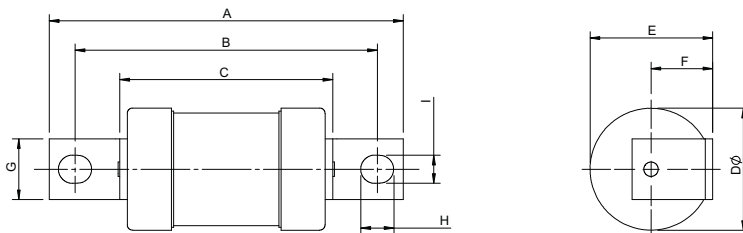
Data sheet: E5785017

#### KS07, class gG, 500 V d.c, 40 to 63 A, offset bolted tags



Catalogue numbers	Rated voltage	Rated current (Amps)	Breaking capacity*	Operating class	Fixing centre (mm)	Pack quantity	Compatible fuse holder
40KS07	500 V d.c.	40	40 kA at 500 V d.c.*	gG	73	20	CM63F range see page 44
50KS07	500 V d.c.	50	40 kA at 500 V d.c.*	gG	73	20	
63KS07	500 V d.c.	63	40 kA at 500 V d.c.*	gG	73	20	

#### Dimensions - mm



Catalogue numbers	A	B	C	D	E	F	G	H	I
40-63KS07	86	73	54.2	25.8	26.9	14	12.7	10.5	5.5

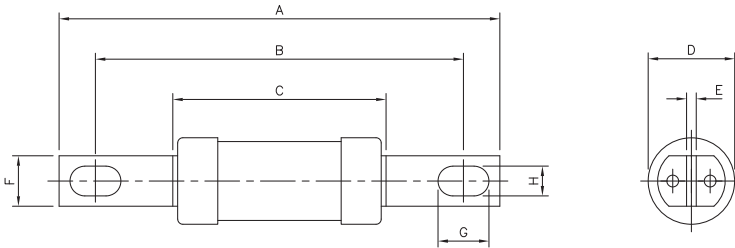
Data sheet: E5785017

## Special DC range offset/centre bolted tags fuse links

### KS08, class gG, 500 V d.c., 40 to 63 A, Centre bolted tags

Catalogue numbers	Rated voltage	Rated current (Amps)	Breaking capacity*	Operating class	Fixing centre (mm)	Pack quantity
40KS08	500 V d.c.	40	40 kA at 500 V d.c.*	gG	93 mm	20
50KS08	500 V d.c.	50	40 kA at 500 V d.c.*	gG	93 mm	20
63KS08	500 V d.c.	63	40 kA at 500 V d.c.*	gG	93 mm	20

#### Dimensions - mm



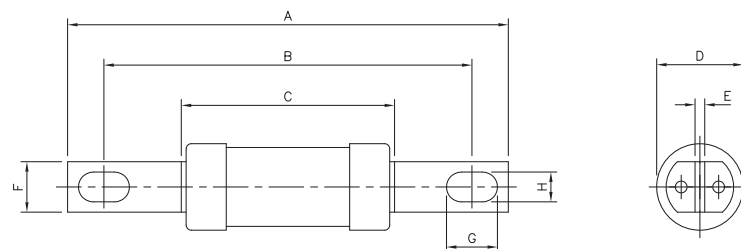
Catalogue numbers	A	B	C	D	E	F	G	H
40-63KS08	111	93	54	25	2.4	12.7	13	7.5

Data sheet: E5785017

### KS09, class gG, 500 V d.c., 10 to 63 A, Centre bolted tags

Catalogue numbers	Rated voltage	Rated current (Amps)	Breaking capacity*	Operating class	Fixing centre (mm)	Pack quantity
10KS09	500 V d.c.	10	40 kA at 500 V d.c.*	gG	111 mm	20
16KS09	500 V d.c.	16	40 kA at 500 V d.c.*	gG	111 mm	20
20KS09	500 V d.c.	20	40 kA at 500 V d.c.*	gG	111 mm	20
25KS09	500 V d.c.	25	40 kA at 500 V d.c.*	gG	111 mm	20
32KS09	500 V d.c.	32	40 kA at 500 V d.c.*	gG	111 mm	20
40KS09	500 V d.c.	40	40 kA at 500 V d.c.*	gG	111 mm	20
50KS09	500 V d.c.	50	40 kA at 500 V d.c.*	gG	111 mm	20
63KS09	500 V d.c.	63	40 kA at 500 V d.c.*	gG	111 mm	20

#### Dimensions - mm



Catalogue numbers	A	B	C	D	E	F	G	H
10-32KS09	127	111	53.7	22	2.4	14	15.2	8.7
40-63KS09	128	111	54.2	25	2.4	14	15.2	8.7

Data sheet: E5785017

\* Breaking capacity: max 20mS time constant

## Offset bolted tags fuse links

### Specifications

#### Description

Fuse links for industrial applications with 690 V a.c. that meets dimensional and performance requirements of BS88 and IEC 60269-1-2 standards for the protection of large industrial installations up to 690 V a.c.

#### Technical data

Rated voltage: 690 V a.c.  
 Rated current: 2 to 32 A  
 Breaking capacity: 80 kA at 690 V a.c.

#### Standard/agency information

Meets BS88 Part 1 and 2, IEC 60269 parts 1 and 2, in accordance with RoHS 2011/65/IEC.

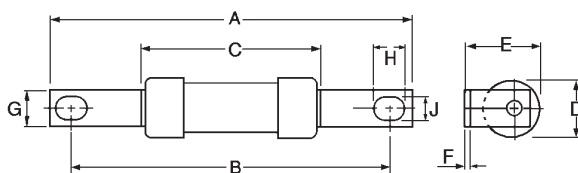
### Product selection

#### H07, class gG, 690 V a.c., 2 to 32 A



Catalogue numbers	Rated voltage	Rated current (Amps)	Breaking capacity	Operating class	Fixing centre (mm)	Pack quantity	Compatible fuse holder
2H07-660	690 V a.c.	2	80 kA at 690 V a.c.	gG	73	20	CM32F range see page 44
4H07-660	690 V a.c.	4	80 kA at 690 V a.c.	gG	73	20	
6H07-660	690 V a.c.	6	80 kA at 690 V a.c.	gG	73	20	
10H07-660	690 V a.c.	10	80 kA at 690 V a.c.	gG	73	20	
16H07-660	690 V a.c.	16	80 kA at 690 V a.c.	gG	73	20	
20H07-660	690 V a.c.	20	80 kA at 690 V a.c.	gG	73	20	
25H07-660	690 V a.c.	25	80 kA at 690 V a.c.	gG	73	20	
32H07-660	690 V a.c.	32	80 kA at 690 V a.c.	gG	73	20	

#### Dimensions - mm



Catalogue numbers	A	B	C	D	E	F	G	H	J
2-32H07-660	82.3	73	52	22	22.4	11.5	8.7	7.7	5.4

Data sheet: 4150

## Special tags fuse links

### Specifications

#### Description

Fuse links for industrial applications with 690 V a.c. that meets dimensional and performance requirements of BS88 and IEC 60269-1-2 standards for large industrial installations up to 690 V a.c.

#### Technical data

Rated voltage: 690 V a.c. / 400 V d.c.  
 Rated current: 125 to 800 A  
 Breaking capacity: 80 kA

#### Standard/agency information

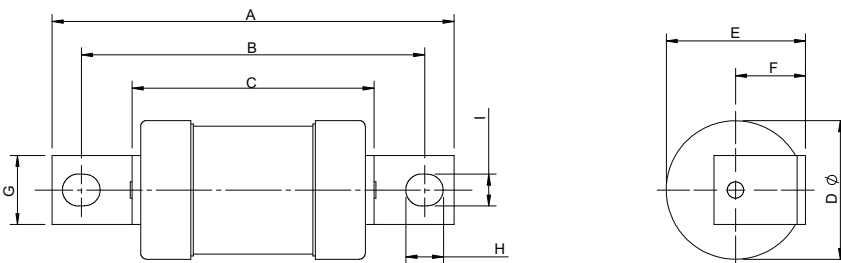
Meets BS88 Part 1 and 2, IEC 60269 parts 1 and 2, in accordance with RoHS 2011/65/IEC.

### Product selection

#### M13, class gG, 690 V a.c. and 400 V d.c., 125 to 200 A, offset bolted tags

Catalogue numbers	Rated voltage	Rated current (Amps)	Breaking capacity	Operating class	Fixing centre (mm)	Pack quantity
125M13	690 V a.c. / 400 V d.c.	125	80 kA at 690 V a.c.	gG	99	5
160M13	690 V a.c. / 400 V d.c.	160	80 kA at 690 V a.c.	gG	99	5
200M13	690 V a.c. / 400 V d.c.	200	80 kA at 690 V a.c.	gG	99	5

#### Dimensions - mm



Catalogue numbers	A	B	C	D	E	F	G	H	I
125-200M13	120	99.5	69.5	38	27	8.2	25.4	12	8.7

Data sheet: 4163

#### N15, class gG, 690 V a.c. and 400 V d.c., 250 and 315 A, offset bolted tags

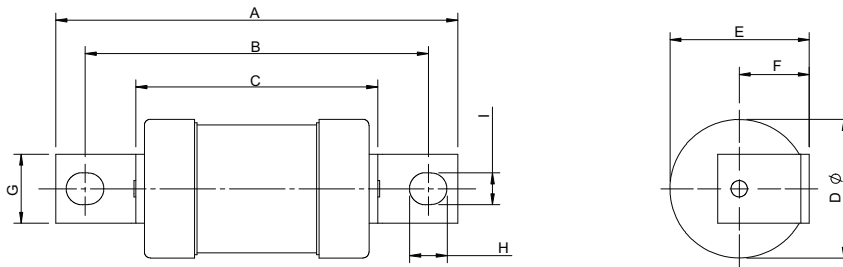
Catalogue numbers	Rated voltage	Rated current (Amps)	Breaking capacity	Operating class	Fixing centre (mm)	Pack quantity
250N15	690 V a.c. / 400 V d.c.	250	80 kA at 690 V a.c.	gG	100	1
315N15	690 V a.c. / 400 V d.c.	315	80 kA at 690 V a.c.	gG	100	1

Data sheet: 4164

## Special tags fuse links

### N15, class gG, 690 V a.c. and 400 V d.c., 250 and 315 A, offset bolted tags

#### Dimensions - mm



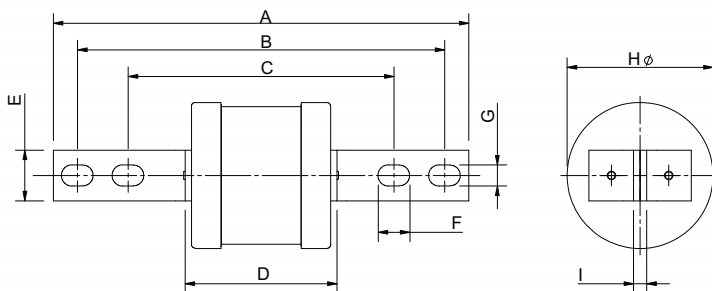
Catalogue numbers	A	B	C	D	E	F	G	H	I
250-315N15	120	100	79	49	41	16.4	25.4	15	9.5

Data sheet: 4164

### P35, class gG, 690 V a.c. and 400 V d.c., 355 and 400 A, centre bolted tags

Catalogue numbers	Rated voltage	Rated current (Amps)	Breaking capacity	Operating class	Fixing centre (mm)	Pack quantity
355P35	690 V a.c. / 400 V d.c.	355	80 kA at 690 V a.c.	gG	133/184	1
400P35	690 V a.c. / 400 V d.c.	400	80 kA at 690 V a.c.	gG	133/184	1

#### Dimensions - mm



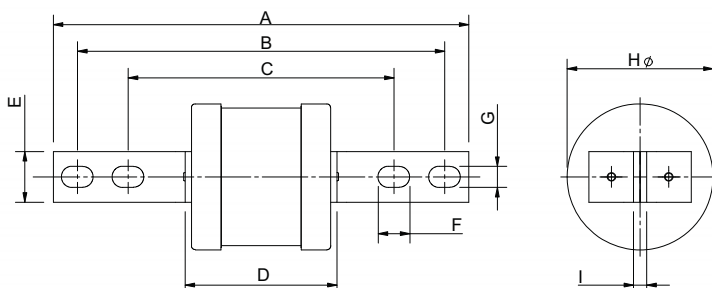
Catalogue numbers	A	B	C	D	E	F	G	H	I
355-400P35	210	184	133	75	19	15.8	10.5	59	4.7

Data sheet: 4161

### R40, class gG, 690 V a.c. and 400 V d.c., 450 and 500 A, centre bolted tags

Catalogue numbers	Rated voltage	Rated current (Amps)	Breaking capacity	Operating class	Fixing centre (mm)	Pack quantity
450R40	690 V a.c. / 400 V d.c.	450	80 kA at 690 V a.c.	gG	133/184	1
500R40	690 V a.c. / 400 V d.c.	500	80 kA at 690 V a.c.	gG	133/184	1

#### Dimensions - mm



Catalogue numbers	A	B	C	D	E	F	G	H	I
450-500R40	210	184	133	81	19	15.8	10.5	74	9.5

Data sheet: 4162



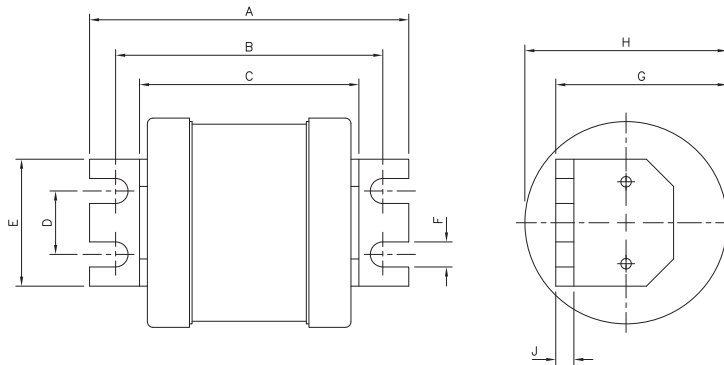
## Special tags fuse links

### N20, class gG, 690 V a.c. and 400 V d.c., 120 to 315 A, special offset tags



Catalogue numbers	Rated voltage	Rated current (Amps)	Breaking capacity	Operating class	Fixing centre (mm)	Pack quantity
125N20	690 V a.c. / 400 V d.c.	125	80 kA at 690 V a.c.	gG	92.5	1
160N20	690 V a.c. / 400 V d.c.	160	80 kA at 690 V a.c.	gG	92.5	1
200N20	690 V a.c. / 400 V d.c.	200	80 kA at 690 V a.c.	gG	92.5	1
250N20	690 V a.c. / 400 V d.c.	250	80 kA at 690 V a.c.	gG	92.5	1
315N20	690 V a.c. / 400 V d.c.	315	80 kA at 690 V a.c.	gG	92.5	1

#### Dimensions - mm



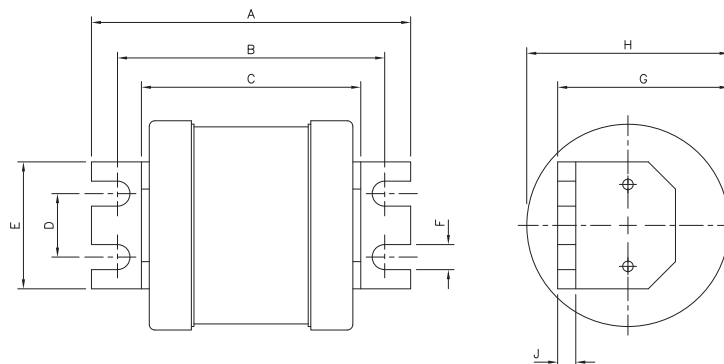
Catalogue numbers	A	B	C	D	E	F	G	H	J
125-315N20	110	92.5	75	22	44.5	8.8	49	49	6.4

Data sheet: 4166

### P20, class gG, 690 V a.c. and 400 V d.c., 355 and 400 A, special offset tags

Catalogue numbers	Rated voltage	Rated current (Amps)	Breaking capacity	Operating class	Fixing centre (mm)	Pack quantity
355P20	690 V a.c. / 400 V d.c.	355	80 kA at 690 V a.c.	gG	92.5	1
400P20	690 V a.c. / 400 V d.c.	400	80 kA at 690 V a.c.	gG	92.5	1

#### Dimensions - mm



Catalogue numbers	A	B	C	D	E	F	G	H	J
355-400P20	111	92.5	76	22	44.5	8.8	47	59	6.4

Data sheet: 4167

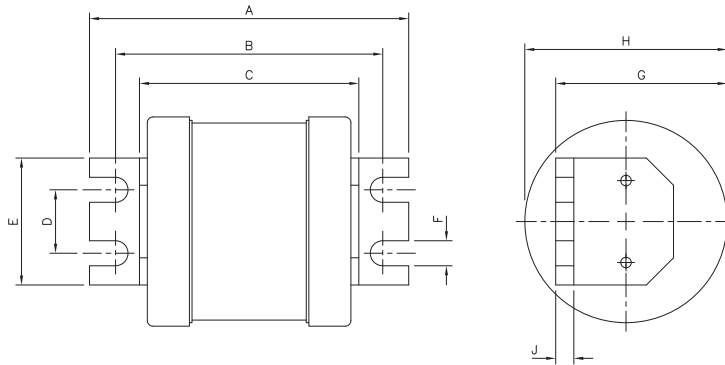
## Special tags fuse links

### R20, class gG, 690 V a.c. and 400 V d.c., 450 to 630 A, special offset tags



Catalogue numbers	Rated voltage	Rated current (Amps)	Breaking capacity	Operating class	Fixing centre (mm)	Pack quantity
450R20	690 V a.c. / 400 V d.c.	450	80 kA at 690 V a.c.	gG	94	1
500R20	690 V a.c. / 400 V d.c.	500	80 kA at 690 V a.c.	gG	94	1
560R20	690 V a.c. / 400 V d.c.	560	80 kA at 690 V a.c.	gG	94	1
630R20	690 V a.c. / 400 V d.c.	630	80 kA at 690 V a.c.	gG	94	1

#### Dimensions - mm



Catalogue numbers	A	B	C	D	E	F	G	H	J
450-630R20	112	94	77	22	44.5	8.8	62	74	6.4

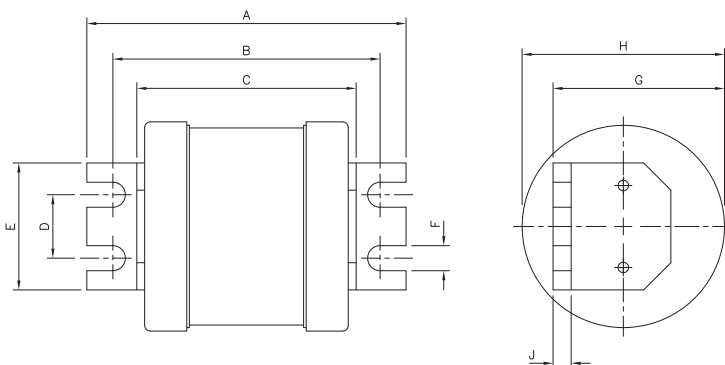
Data sheet: 4168

### S20, class gG, 550 V a.c. and 250 V d.c., 710 and 800 A, special offset tags



Catalogue numbers	Rated voltage	Rated current (Amps)	Breaking capacity	Operating class	Fixing centre (mm)	Pack quantity
710S20	550 V a.c. / 250 V d.c.	710	80 kA at 550 V a.c.	gG	94	1
800S20	550 V a.c. / 250 V d.c.	800	80 kA at 550 V a.c.	gG	94	1

#### Dimensions - mm



Catalogue numbers	A	B	C	D	E	F	G	H	J
710-800S20	112	94	77	22	44.5	8.8	66	83	6.4

Data sheet: E5785045

# Industrial and motor applications to BS88 - Red spot

## Offset bolted tags fuse links

### Specifications

#### Description

A range of BS fuse links in sizes A1 to A4 specifically designed for the protection of general industrial applications e.g. power distribution, cable protection, motor protection.

#### Technical data

Rated voltage:

- Size A1: 550 V a.c. / 250 V d.c.
- Size A2 to A4: 660-690 V a.c. / up to 460 V d.c. see tables for details

Rated current: 2 to 200 A

Breaking capacity: 80 kA up to 690 V a.c., see tables for details

#### Standard/agency information

BS88-1 and 2, IEC 60269-2

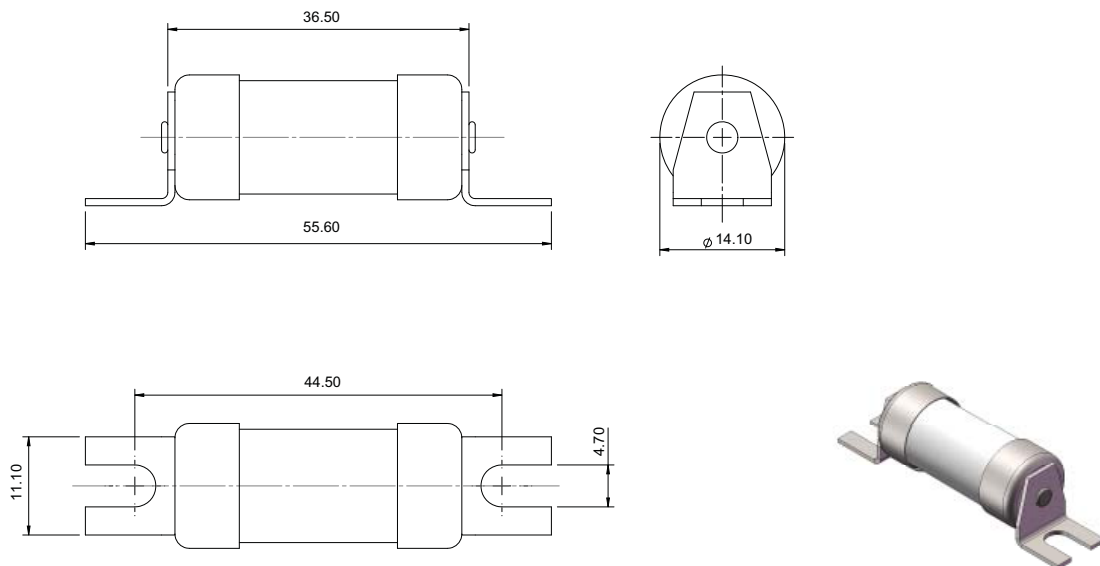
### Product selection

#### NIT, class gG, 550 V a.c. and 250 V d.c., 2 to 20 A



Catalogue numbers	Rated voltage	Rated current (Amps)	Breaking capacity	Operating class	BS reference	Fixing centre (mm)	Pack quantity	Compatible fuse holders
NIT2	550 V a.c. / 250 V d.c.	2	80 kA at 550 V a.c.	gG	A1	44	20	CM32FC range see page 44
NIT4	550 V a.c. / 250 V d.c.	4	80 kA at 550 V a.c.	gG	A1	44	20	
NIT6	550 V a.c. / 250 V d.c.	6	80 kA at 550 V a.c.	gG	A1	44	20	RS20 range see page 58
NIT10	550 V a.c. / 250 V d.c.	10	80 kA at 550 V a.c.	gG	A1	44	20	
NIT16	550 V a.c. / 250 V d.c.	16	80 kA at 550 V a.c.	gG	A1	44	20	
NIT20	550 V a.c. / 250 V d.c.	20	80 kA at 550 V a.c.	gG	A1	44	20	

#### Dimensions - mm



Data sheet: 10020

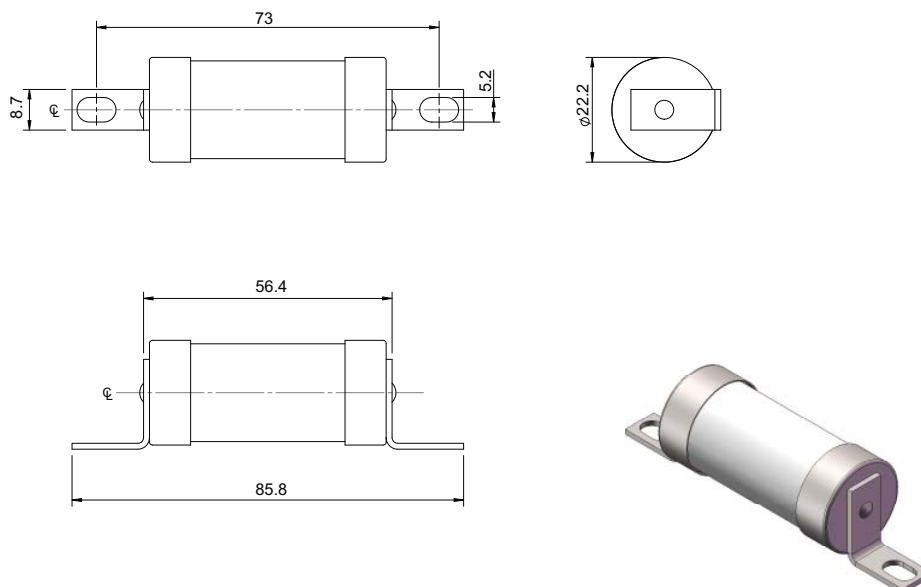
## Offset bolted tags fuse links

**TIA, class gG, 660-690 V a.c. and 460 V d.c., 2 to 32 A - class gM, 660-690 V a.c. and 460 V d.c., 32 A**



Catalogue numbers	Rated voltage	Rated current (Amps)	Breaking capacity	Operating class	BS reference	Fixing centre (mm)	Pack quantity	Compatible fuse holders
TIA2	660-690 V a.c. / 460 V d.c.	2	80 kA at 690 V a.c.	gG	A2	73	20	CM32F range see page 44
TIA4	660-690 V a.c. / 460 V d.c.	4	80 kA at 690 V a.c.	gG	A2	73	20	
TIA6	660-690 V a.c. / 460 V d.c.	6	80 kA at 690 V a.c.	gG	A2	73	20	RS32 range see page 58
TIA10	660-690 V a.c. / 460 V d.c.	10	80 kA at 690 V a.c.	gG	A2	73	20	
TIA16	660-690 V a.c. / 460 V d.c.	16	80 kA at 690 V a.c.	gG	A2	73	20	
TIA20	660-690 V a.c. / 460 V d.c.	20	80 kA at 690 V a.c.	gG	A2	73	20	
TIA25	660-690 V a.c. / 460 V d.c.	25	80 kA at 690 V a.c.	gG	A2	73	20	
TIA32	660-690 V a.c. / 460 V d.c.	32	80 kA at 690 V a.c.	gG	A2	73	20	
TIA32M35	660-690 V a.c. / 460 V d.c.	32M35	80 kA at 690 V a.c.	gM	A2	73	20	
TIA32M40	660-690 V a.c. / 460 V d.c.	32M40	80 kA at 690 V a.c.	gM	A2	73	20	
TIA32M50	660-690 V a.c. / 460 V d.c.	32M50	80 kA at 690 V a.c.	gM	A2	73	20	
TIA32M63	660-690 V a.c. / 460 V d.c.	32M63	80 kA at 690 V a.c.	gM	A2	73	20	

### Dimensions - mm



Data sheet: 10020

**TIS, class gG, 660-690 V a.c. and 460 V d.c., 35 to 63 A - class gM, 660-690 V a.c. and 460 V d.c., 63 A**



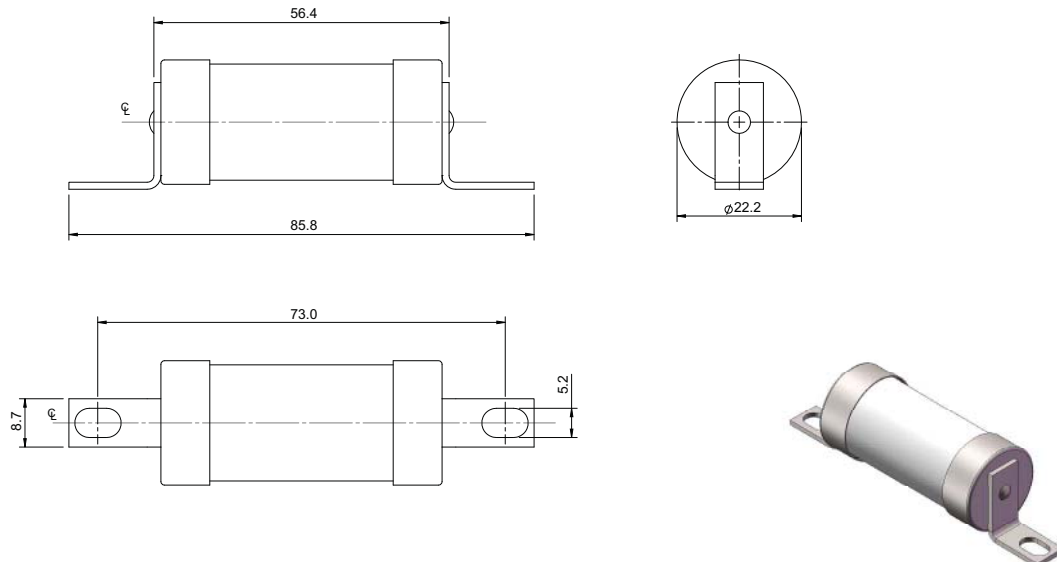
Catalogue numbers	Rated voltage	Rated current (Amps)	Breaking capacity	Operating class	BS reference	Fixing centre (mm)	Pack quantity	Compatible fuse holder
TIS35	660-690 V a.c. / 460 V d.c.	35	80 kA at 690 V a.c.	gG	A3	73	20	RS63 range see page 58
TIS40	660-690 V a.c. / 460 V d.c.	40	80 kA at 690 V a.c.	gG	A3	73	20	
TIS50	660-690 V a.c. / 460 V d.c.	50	80 kA at 690 V a.c.	gG	A3	73	20	
TIS63	660-690 V a.c. / 460 V d.c.	63	80 kA at 690 V a.c.	gG	A3	73	20	
TIS63M80	660-690 V a.c. / 460 V d.c.	63M80	80 kA at 690 V a.c.	gM	A3	73	20	
TIS63M100	660-690 V a.c. / 460 V d.c.	63M100	80 kA at 690 V a.c.	gM	A3	73	20	

Data sheet: 10020

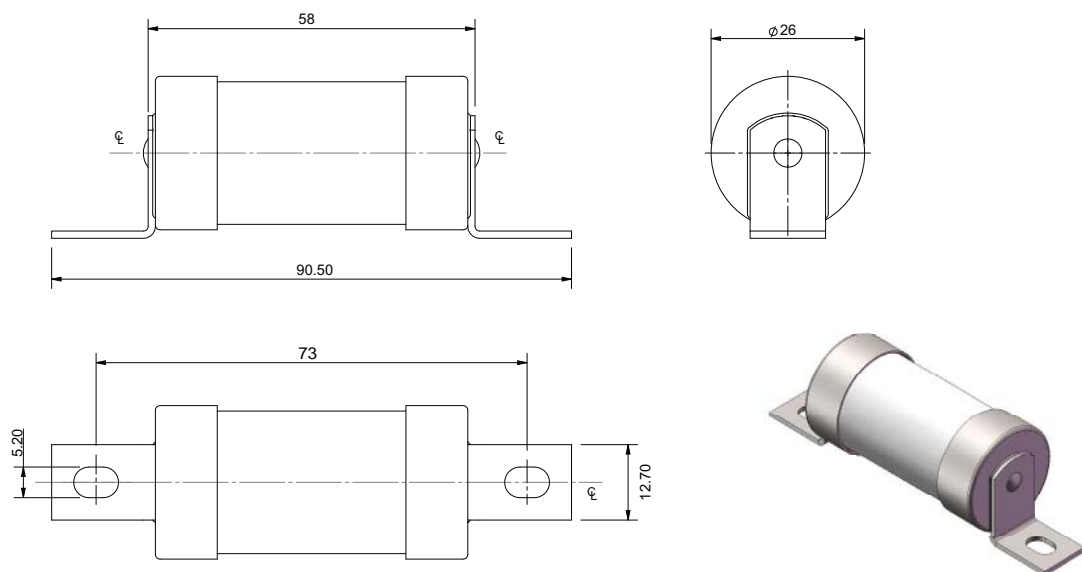
## Offset bolted tags fuse links

**TIS, class gG, 660-690 V a.c. and 460 V d.c., 35 to 63 A - class gM, 660-690 V a.c. and 460 V d.c., 63 A**

### Dimensions - mm



### TIS35 to TIS63



### TIS63M80 and TIS63M100

Data sheet: 10020



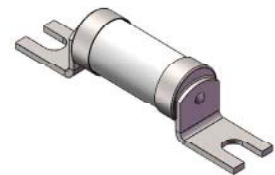
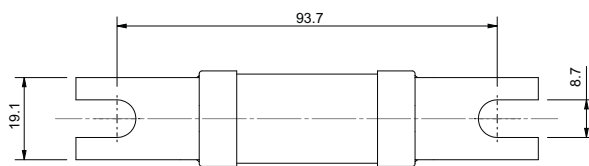
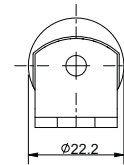
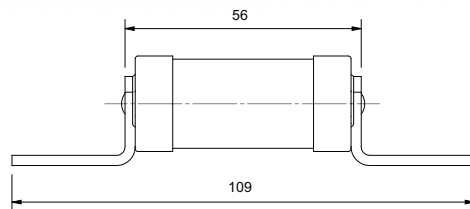
## Offset bolted tags fuse links

**TCP, class gG, 660-690 V a.c. and 350-460 V d.c., 32 to 100 A - class gM, 660-690 V a.c. and 350 V d.c., 100 A**

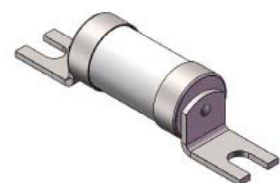
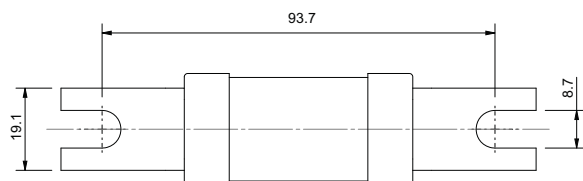
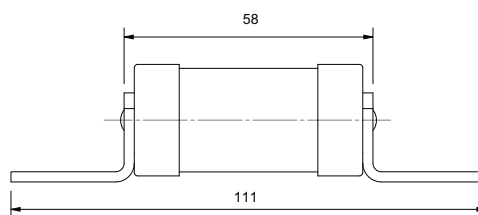


Catalogue numbers	Rated voltage	Rated current (Amps)	Breaking capacity	Operating class	BS reference	Fixing centre (mm)	Pack quantity	Compatible fuse holder
TCP32	660-690 V a.c. / 460 V d.c.	32	80 kA at 690 V a.c.	gG	A4	94	20	RS100 range see page 58
TCP40	660-690 V a.c. / 460 V d.c.	40	80 kA at 690 V a.c.	gG	A4	94	20	
TCP50	660-690 V a.c. / 460 V d.c.	50	80 kA at 690 V a.c.	gG	A4	94	20	
TCP63	660-690 V a.c. / 460 V d.c.	63	80 kA at 690 V a.c.	gG	A4	94	20	
TCP80	660-690 V a.c. / 350 V d.c.	80	80 kA at 690 V a.c.	gG	A4	94	20	
TCP100	660-690 V a.c. / 350 V d.c.	100	80 kA at 690 V a.c.	gG	A4	94	20	
TCP100M125	660-690 V a.c. / 350 V d.c.	100M125	80 kA at 690 V a.c.	gM	A4	94	20	
TCP100M160	660-690 V a.c. / 350 V d.c.	100M160	80 kA at 690 V a.c.	gM	A4	94	20	
TCP100M200	660-690 V a.c. / 350 V d.c.	100M200	80 kA at 690 V a.c.	gM	A4	94	20	

### Dimensions - mm



### TCP32 to TCP63



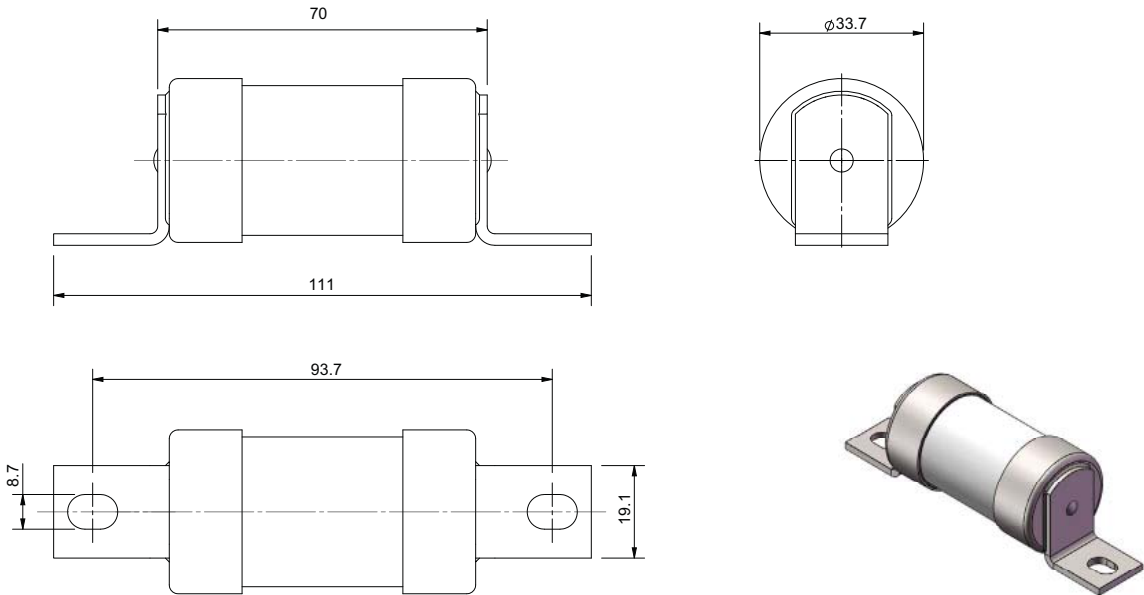
### TCP80 and TCP100

Data sheet: 10020

## Offset bolted tags fuse links

**TCP**, class gG, 660-690 V a.c. and 350-460 V d.c., 32 to 100 A - class gM, 660-690 V a.c. and 350 V d.c., 100 A

### Dimensions - mm



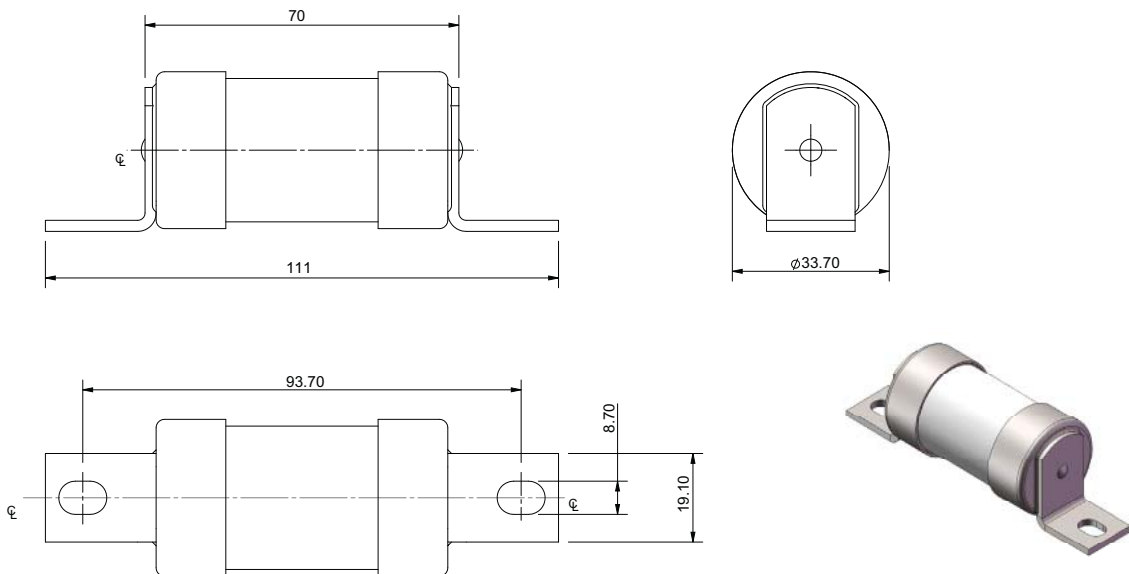
### TCP100M125 to TCP100M200

**TFP**, class gG, 660-690 V a.c. and 350 V d.c., 125 to 200 A - class gM, 660-690 V a.c. and 350 V d.c., 200 A



Catalogue numbers	Rated voltage	Rated current (Amps)	Breaking capacity	Operating class	Fixing centre (mm)	Pack quantity
TFP125	660-690 V a.c. / 350 V d.c.	125	80 kA at 690 V a.c.	gG	94	10
TFP160	660-690 V a.c. / 350 V d.c.	160	80 kA at 690 V a.c.	gG	94	10
TFP200	660-690 V a.c. / 350 V d.c.	200	80 kA at 690 V a.c.	gG	94	10
TFP200M250	660-690 V a.c. / 350 V d.c.	200M250	80 kA at 690 V a.c.	gM	94	1

### Dimensions - mm



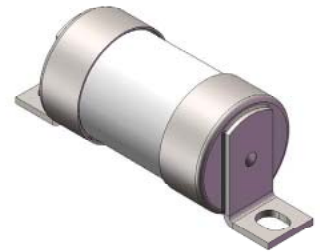
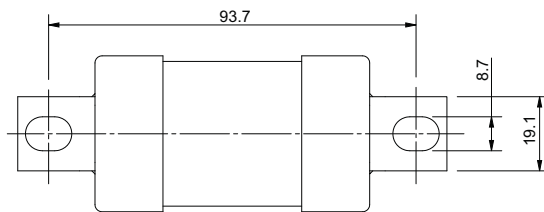
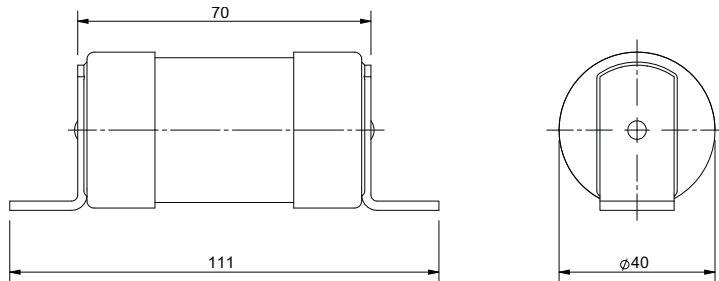
### TFP125 to TFP200

Data sheet: 10020

## Offset bolted tags fuse links

**TFP**, class gG, 660-690 V a.c. and 350 V d.c., 125 to 200 A - class gM, 660-690 V a.c. and 350 V d.c., 200 A

### Dimensions - mm



### TFP200M250

Data sheet: 10020

# Centre bolted tags fuse links

## Specifications

### Description

A range of centre tagged BS fuse links in sizes B1 to B4, C1 to C3 and D1 specifically designed for the protection of general industrial applications, e.g. power distribution, cable protection, motor protection.

### Technical data

Rated voltage:

- gG: up to 690 V a.c. / 460 V d.c., see tables for details
- gM: up to 690 V a.c. / 550 V d.c., see tables for details

Rated current: 2 to 1250 A

Breaking capacity: 80 kA up to 690 V a.c., see tables for details

### Standard/agency information

BS88-2 and IEC 60269-2

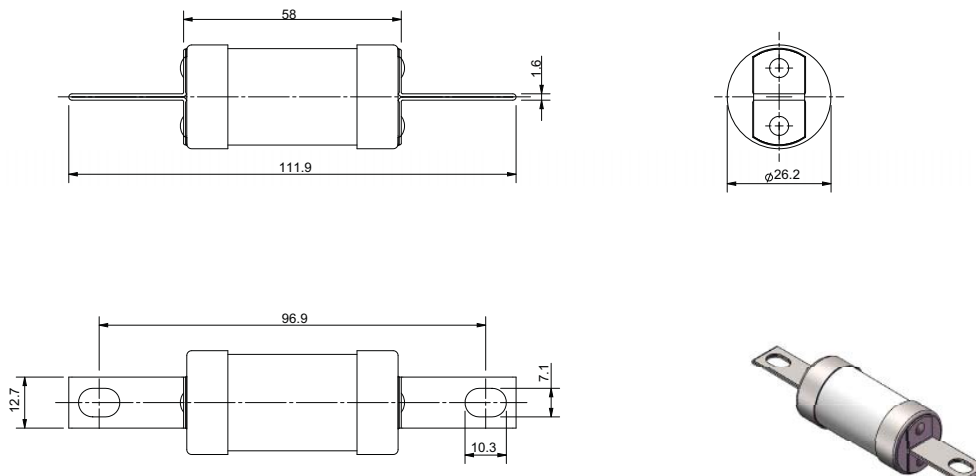
## Product selection

### TB, class gG, 660 V a.c. and 460 V d.c., 2 to 63 A



Catalogue numbers	Rated voltage	Rated current (Amps)	Breaking capacity	Operating class	Fixing centre (mm)	Pack quantity
TB2	660 V a.c. / 460 V d.c.	2	80 kA at 660 V a.c.	gG	97	20
TB4	660 V a.c. / 460 V d.c.	4	80 kA at 660 V a.c.	gG	97	20
TB6	660 V a.c. / 460 V d.c.	6	80 kA at 660 V a.c.	gG	97	20
TB10	660 V a.c. / 460 V d.c.	10	80 kA at 660 V a.c.	gG	97	20
TB16	660 V a.c. / 460 V d.c.	16	80 kA at 660 V a.c.	gG	97	20
TB20	660 V a.c. / 460 V d.c.	20	80 kA at 660 V a.c.	gG	97	20
TB25	660 V a.c. / 460 V d.c.	25	80 kA at 660 V a.c.	gG	97	20
TB32	660 V a.c. / 460 V d.c.	32	80 kA at 660 V a.c.	gG	97	20
TB40	660 V a.c. / 460 V d.c.	40	80 kA at 660 V a.c.	gG	97	20
TB50	660 V a.c. / 460 V d.c.	50	80 kA at 660 V a.c.	gG	97	20
TB63	660 V a.c. / 460 V d.c.	63	80 kA at 660 V a.c.	gG	97	20

### Dimensions - mm



Data sheet: 10078

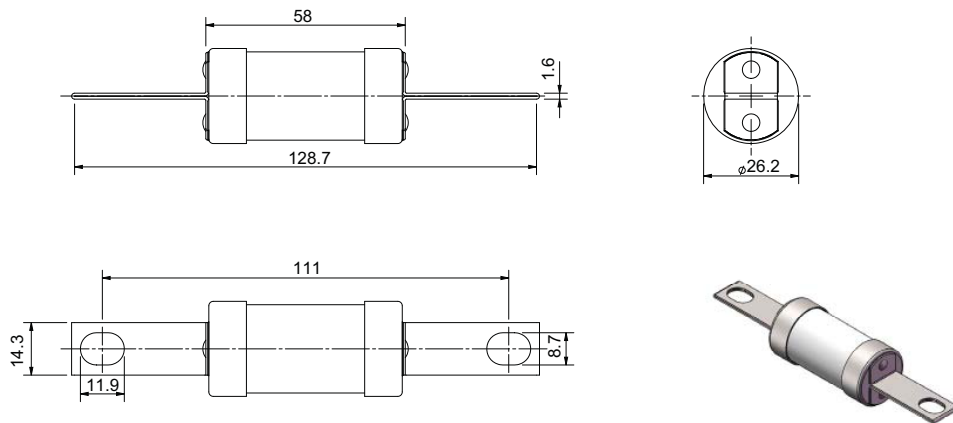
## Centre bolted tags fuse links

### TBC, class gG, 660 V a.c. and 460 V d.c., 2 to 63 A



Catalogue numbers	Rated voltage	Rated current (Amps)	Breaking capacity	Operating class	Fixing centre (mm)	Pack quantity	Compatible fuse holder
TBC2	660 V a.c. / 460 V d.c.	2	80 kA at 660 V a.c.	gG	111	20	RS200 range see page 58
TBC4	660 V a.c. / 460 V d.c.	4	80 kA at 660 V a.c.	gG	111	20	
TBC6	660 V a.c. / 460 V d.c.	6	80 kA at 660 V a.c.	gG	111	20	
TBC10	660 V a.c. / 460 V d.c.	10	80 kA at 660 V a.c.	gG	111	20	
TBC16	660 V a.c. / 460 V d.c.	16	80 kA at 660 V a.c.	gG	111	20	
TBC20	660 V a.c. / 460 V d.c.	20	80 kA at 660 V a.c.	gG	111	20	
TBC25	660 V a.c. / 460 V d.c.	25	80 kA at 660 V a.c.	gG	111	20	
TBC32	660 V a.c. / 460 V d.c.	32	80 kA at 660 V a.c.	gG	111	20	
TBC40	660 V a.c. / 460 V d.c.	40	80 kA at 660 V a.c.	gG	111	20	
TBC50	660 V a.c. / 460 V d.c.	50	80 kA at 660 V a.c.	gG	111	20	
TBC63	660 V a.c. / 460 V d.c.	63	80 kA at 660 V a.c.	gG	111	20	

#### Dimensions - mm



Data sheet: 10078

### TC, class gG, 660-690 V a.c. and 350 V d.c., 80 and 100 A - class gM, 660-690 V a.c. and 350 V d.c., 100 A



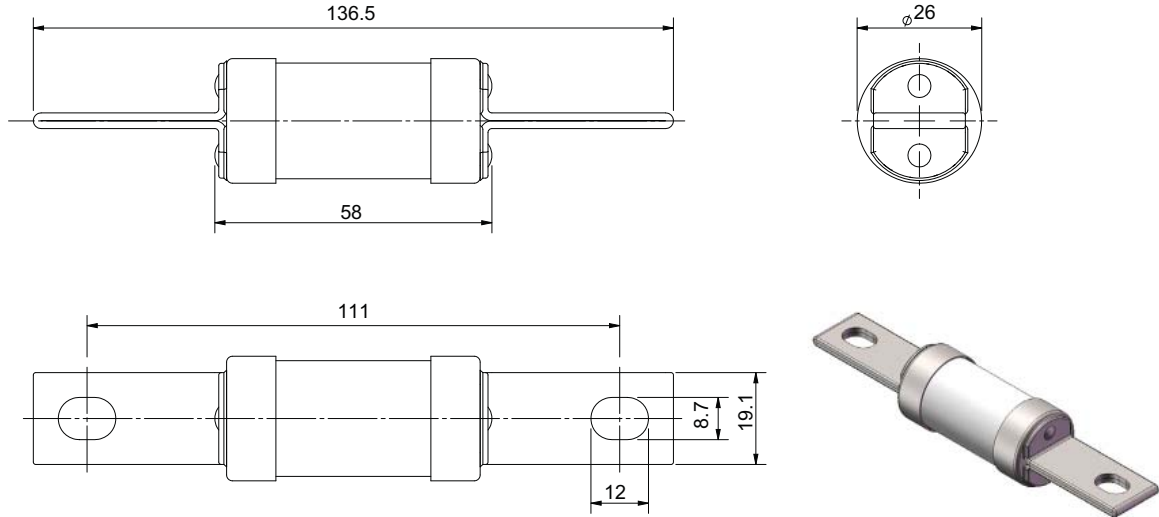
Catalogue numbers	Rated voltage	Rated current (Amps)	Breaking capacity	Operating class	BS reference	Fixing centre (mm)	Pack quantity	Compatible fuse holder
TC80	660-690 V a.c. / 350 V d.c.	80	80 kA at 690 V a.c.	gG	B1	111	10	RS200 range see page 58
TC100	660-690 V a.c. / 350 V d.c.	100	80 kA at 690 V a.c.	gG	B1	111	10	
TC100M125	660-690 V a.c. / 350 V d.c.	100M125	80 kA at 690 V a.c.	gM	B1	111	10	
TC100M160	660-690 V a.c. / 350 V d.c.	100M160	80 kA at 690 V a.c.	gM	B1	111	10	
TC100M200	660-690 V a.c. / 350 V d.c.	100M200	80 kA at 690 V a.c.	gM	B1	111	10	

Data sheet: 10078

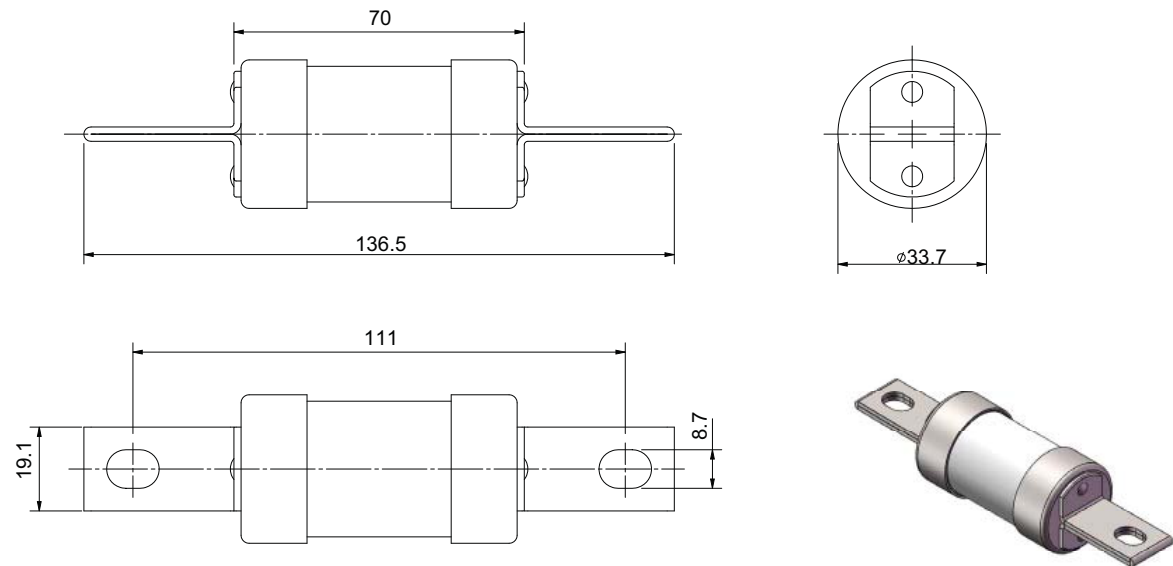
## Centre bolted tags fuse links

**TC, class gG, 660-690 V a.c. and 350 V d.c., 80 and 100 A - class gM, 660-690 V a.c. and 350 V d.c., 100 A**

### Dimensions - mm



### TC80 and TC100



### TC100M125 to TC100M200

Data sheet: 10078

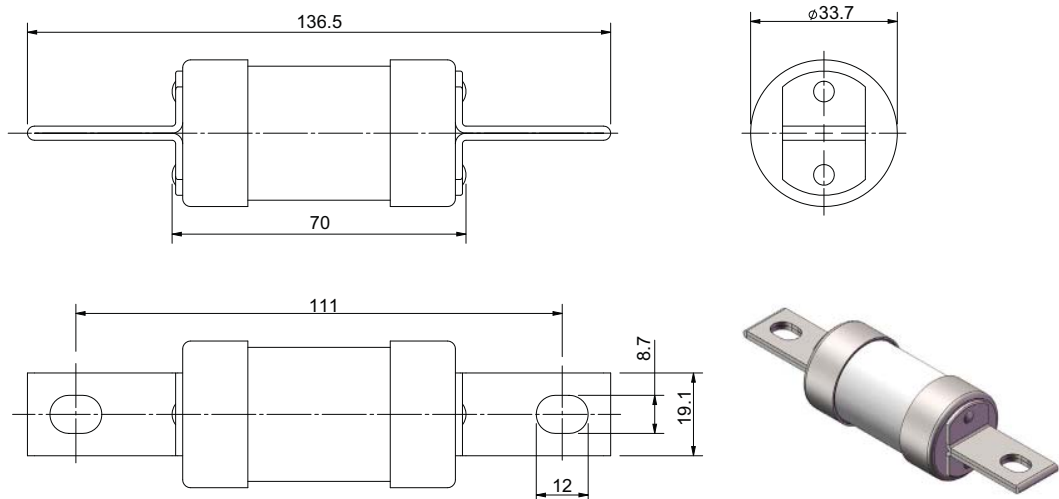
## Centre bolted tags fuse links

**TF, class gG, 660-690 V a.c and 350 V d.c., 125 to 200 A - class gM, 500-660-690 V a.c and 460 V d.c., 200 A**

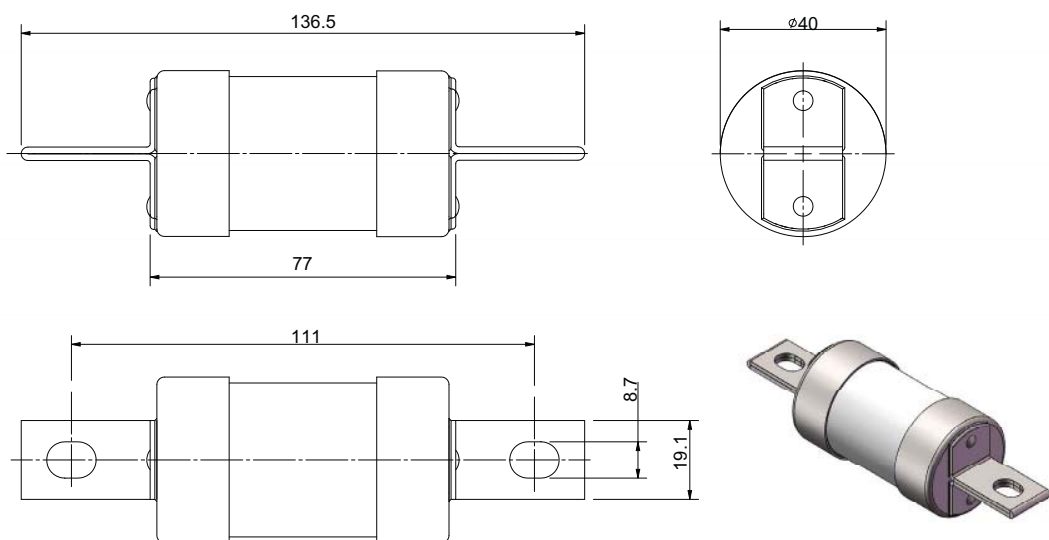


Catalogue numbers	Rated voltage	Rated current (Amps)	Breaking capacity	Operating class	BS reference	Fixing centre (mm)	Pack quantity	Compatible fuse holder
TF125	660-690 V a.c., 350 V d.c.	125	80 kA at 690 V a.c.	gG	B2	111	10	RS200 range see page 58
TF160	660-690 V a.c., 350 V d.c.	160	80 kA at 690 V a.c.	gG	B2	111	10	
TF200	660-690 V a.c., 350 V d.c.	200	80 kA at 690 V a.c.	gG	B2	111	10	
TF200M250	660-690 V a.c., 460 V d.c.	200M250	80 kA at 690 V a.c.	gM	B2	111	10	
TF200M315	550 V a.c.	200M315	80 kA at 550 V a.c.	gM	B2	111	10	

### Dimensions - mm



### TF125 to TF200



### TF200M250 and TF200M315

Data sheet: 10078

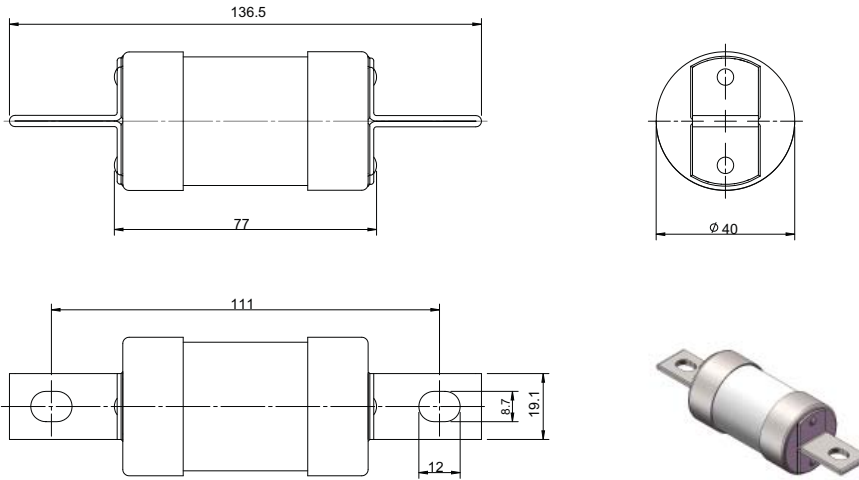
## Centre bolted tags fuse links

**TKF, class gG, 660-690 V a.c and 460 V d.c., 250 and 315 A - class gM, 660-690 V a.c and 460 V d.c., 315 A**

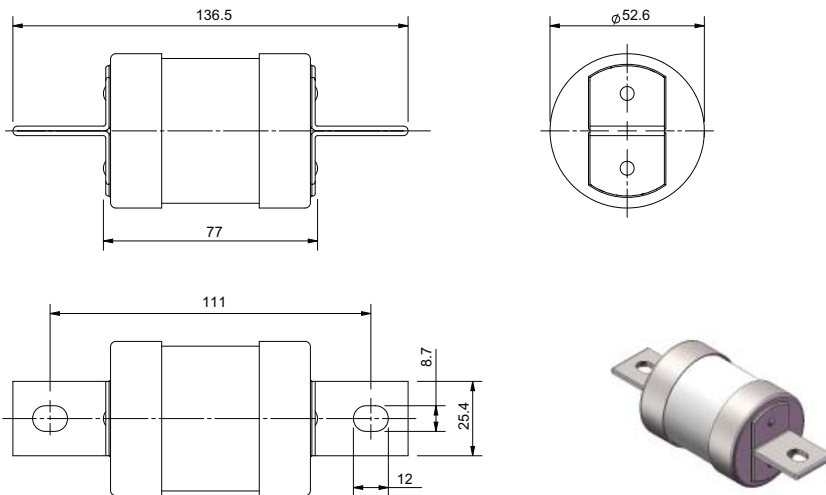


Catalogue numbers	Rated voltage	Rated current (Amps)	Breaking capacity	Operating class	BS reference	Fixing centre (mm)	Pack quantity
TKF250	660-690 V a.c. / 460 V d.c.	250	80 kA at 690 V a.c.	gG	B3	111	5
TKF315	660-690 V a.c. / 460 V d.c.	315	80 kA at 690 V a.c.	gG	B3	111	5
TKF315M355	660-690 V a.c. / 460 V d.c.	315M355	80 kA at 690 V a.c.	gM	B3	111	5

### Dimensions - mm



### TKF250



### TKF315 and TKF315M355

Data sheet: 10078



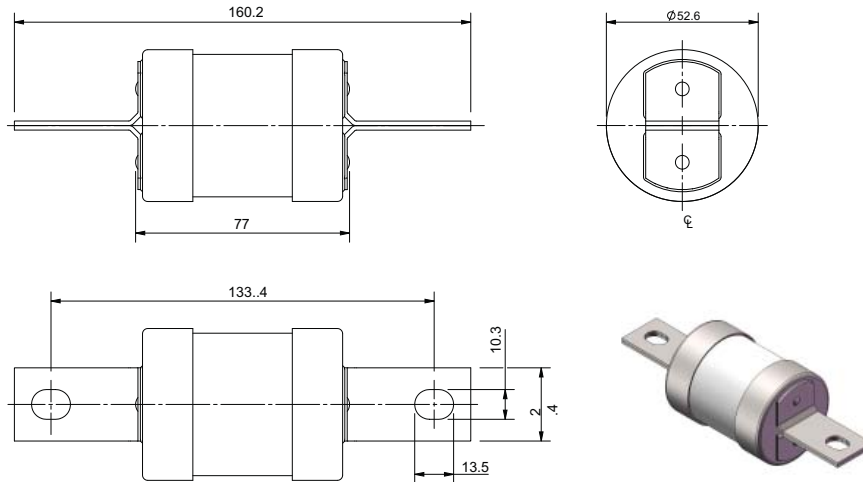
## Centre bolted tags fuse links

**TKM**, class gG, 660-690 V a.c and 460 V d.c., 250 and 315 A - class gM, 660-690 V a.c and 460 V d.c., 315 A



Catalogue numbers	Rated voltage	Rated current (Amps)	Breaking capacity	Operating class	Fixing centre (mm)	Pack quantity	Compatible fuse holder
TKM250	660-690 V a.c. / 460 V d.c.	250	80 kA at 690 V a.c.	gG	133	1	RS400 range see page 58
TKM315	660-690 V a.c. / 460 V d.c.	315	80 kA at 690 V a.c.	gG	133	1	
TKM315M355	660-690 V a.c. / 460 V d.c.	315M355	80 kA at 690 V a.c.	gM	133	1	

### Dimensions - mm

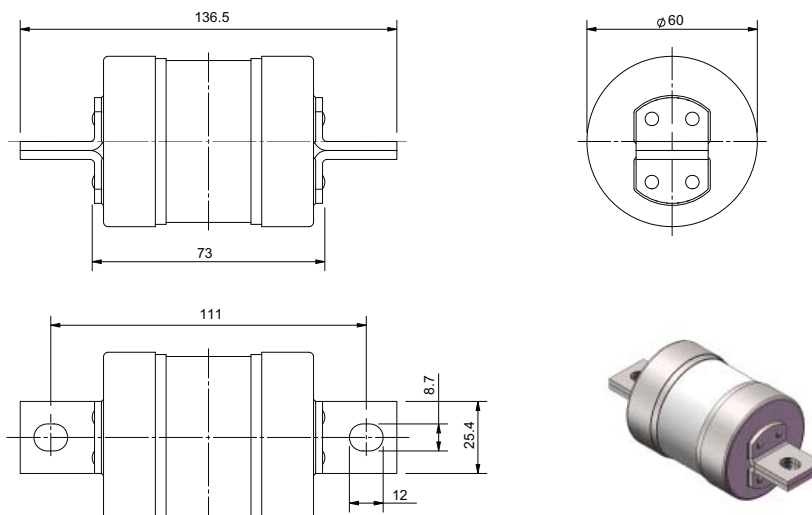


Data sheet: 10078

**TMF**, class gG, 660-690 V a.c and 460 V d.c., 355 and 400 A - class gM, 660-690 V a.c and 460 V d.c., 400 A

Catalogue numbers	Rated voltage	Rated current (Amps)	Breaking capacity	Operating class	BS reference	Fixing centre (mm)	Pack quantity
TMF355	660-690 V a.c. / 460 V d.c.	355	80 kA at 690 V a.c.	gG	B4	111	1
TMF400	660-690 V a.c. / 460 V d.c.	400	80 kA at 690 V a.c.	gG	B4	111	1
TMF400M450	660-690 V a.c. / 460 V d.c.	400M450	80 kA at 690 V a.c.	gM	B4	111	1

### Dimensions - mm



Data sheet: 10078

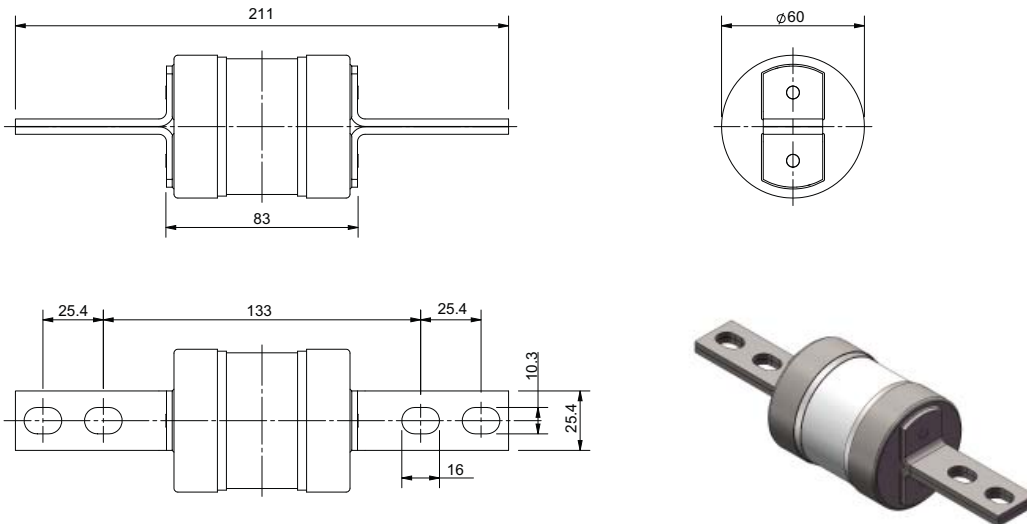
## Centre bolted tags fuse links

**TM, class gG, 660-690 V a.c and 460 V d.c., 355 and 400 A - class gM, 660-690 V a.c and 460 V d.c., 400 A**



Catalogue numbers	Rated voltage	Rated current (Amps)	Breaking capacity	Operating class	BS reference	Fixing centre (mm)	Pack quantity	Compatible fuse holder
TM355	660-690 V a.c. / 460 V d.c.	355	80 kA at 690 V a.c.	gG	C1	133/184	1	RS400 see page 58
TM400	660-690 V a.c. / 460 V d.c.	400	80 kA at 690 V a.c.	gG	C1	133/184	1	
TM400M450	660-690 V a.c. / 460 V d.c.	400M450	80 kA at 690 V a.c.	gM	C1	133/184	1	

### Dimensions - mm

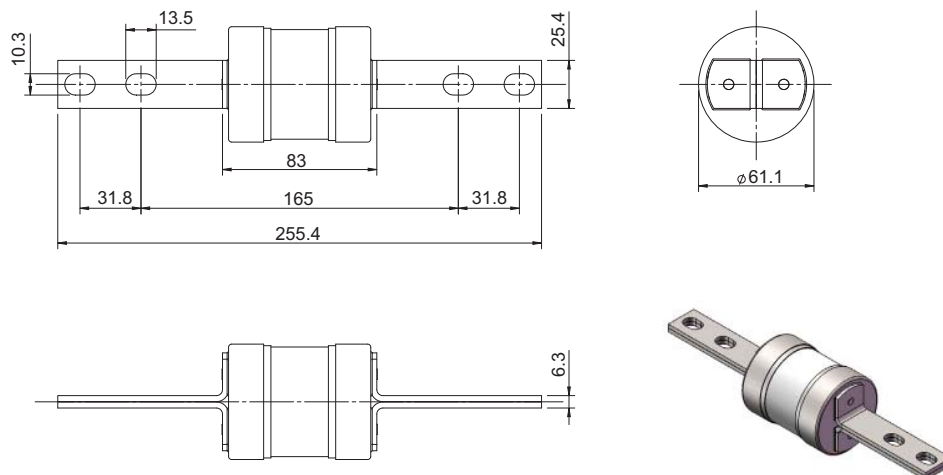


Data sheet: 10078

**TMT, class gG, 660 V a.c., 355 and 400 A**

Catalogue numbers	Rated voltage	Rated current (Amps)	Breaking capacity	Operating class	Fixing centre (mm)	Pack quantity
TMT355	660 V a.c.	355	80 kA at 660 V a.c.	gG	165	1
TMT400	660 V a.c.	400	80 kA at 660 V a.c.	gG	165	1

### Dimensions - mm



Data sheet: 10078

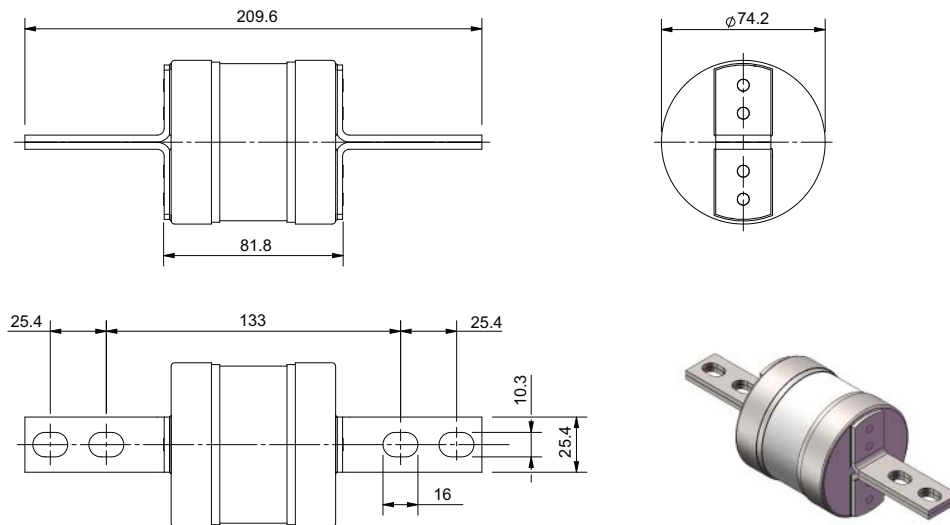
## Centre bolted tags fuse links

**TTM, class gG, 660-690 V a.c and 450 V d.c., 450 to 630 A - class gM, 660-690 V a.c and 450 V d.c., 630 A**



Catalogue numbers	Rated voltage	Rated current (Amps)	Breaking capacity	Operating class	BS reference	Fixing centre (mm)	Pack quantity
TTM450	660-690 V a.c. / 450 V d.c.	450	80 kA at 690 V a.c.	gG	C2	133/184	1
TTM500	660-690 V a.c. / 450 V d.c.	500	80 kA at 690 V a.c.	gG	C2	133/184	1
TTM560	660-690 V a.c. / 450 V d.c.	560	80 kA at 690 V a.c.	gG	C2	133/184	1
TTM630	660-690 V a.c. / 450 V d.c.	630	80 kA at 690 V a.c.	gG	C2	133/184	1
TTM630M670	660-690 V a.c. / 450 V d.c.	630M670	80 kA at 690 V a.c.	gM	C2	133/184	1

### Dimensions - mm



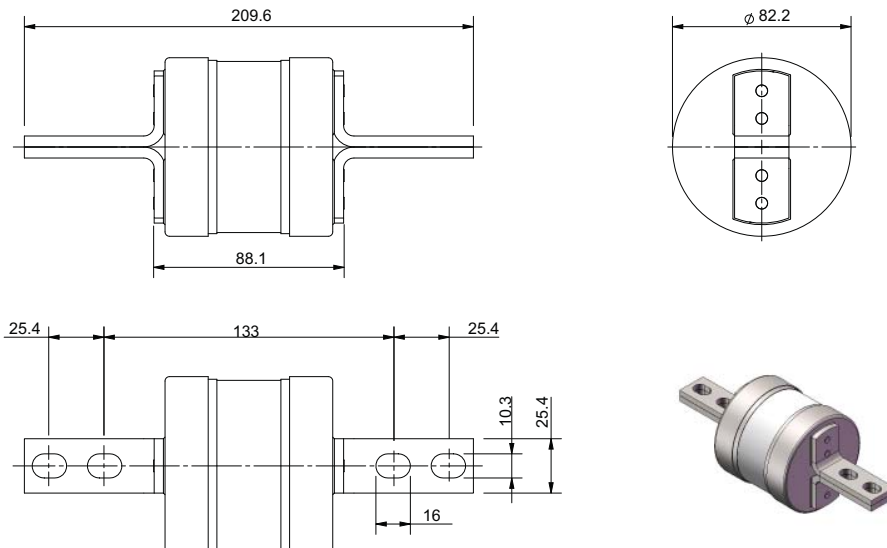
Data sheet: 10078

**TLM, class gG, 660-690 V a.c. and 350 V d.c., 670 to 750 A**



Catalogue numbers	Rated voltage	Rated current (Amps)	Breaking capacity	Operating class	BS reference	Fixing centre (mm)	Pack quantity
TLM670	660-690 V a.c. / 350 V d.c.	670	80 kA at 690 V a.c.	gG	C3	133/184	1
TLM710	660-690 V a.c. / 350 V d.c.	710	80 kA at 690 V a.c.	gG	C3	133/184	1
TLM750	660-690 V a.c. / 350 V d.c.	750	80 kA at 690 V a.c.	gG	C3	133/184	1

### Dimensions - mm



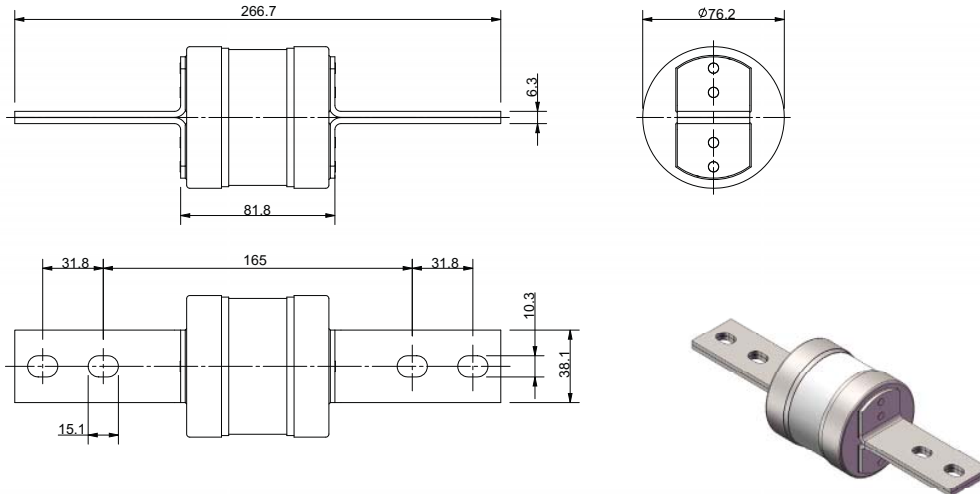
Data sheet: 10078

## Centre bolted tags fuse links

**TT, class gG, 660 V a.c. and 450 V d.c., 500 to 630 A**

Catalogue numbers	Rated voltage	Rated current (Amps)	Breaking capacity	Operating class	Fixing centre (mm)	Pack quantity
TT500	660 V a.c. / 450 V d.c.	500	80 kA at 660 V a.c.	gG	165	1
TT560	660 V a.c. / 450 V d.c.	560	80 kA at 660 V a.c.	gG	165	1
TT630	660 V a.c. / 450 V d.c.	630	80 kA at 660 V a.c.	gG	165	1

### Dimensions - mm



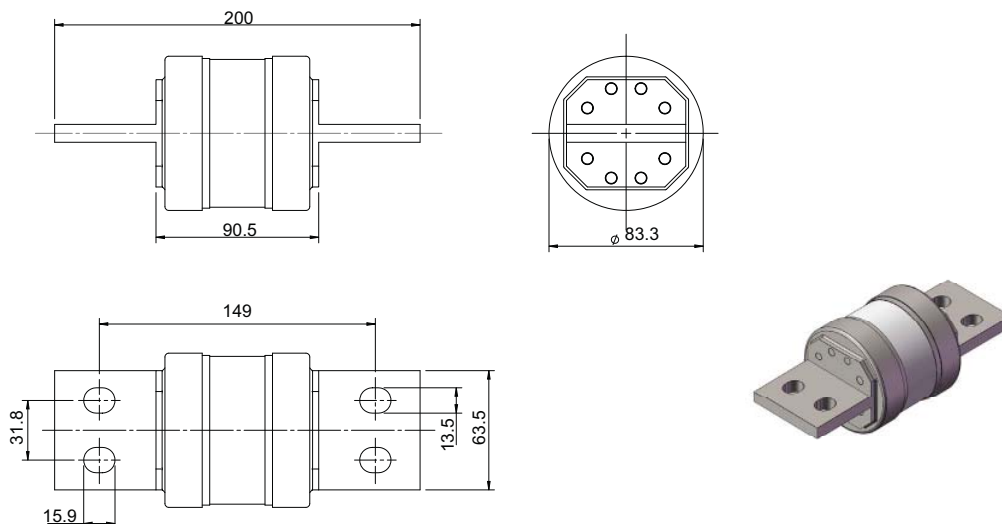
Data sheet: 10078

**TLU, class gG, 660 V a.c. and 350 V d.c., 560 to 800 A**



Catalogue numbers	Rated voltage	Rated current (Amps)	Breaking capacity	Operating class	BS reference	Fixing centre (mm)	Pack quantity
TLU560	660 V a.c. / 350 V d.c.	560	80 kA at 660 V a.c.	gG	D1	149	1
TLU630	660 V a.c. / 350 V d.c.	630	80 kA at 660 V a.c.	gG	D1	149	1
TLU750	660 V a.c. / 350 V d.c.	750	80 kA at 660 V a.c.	gG	D1	149	1
TLU800	660 V a.c. / 350 V d.c.	800	80 kA at 660 V a.c.	gG	D1	149	1

### Dimensions - mm



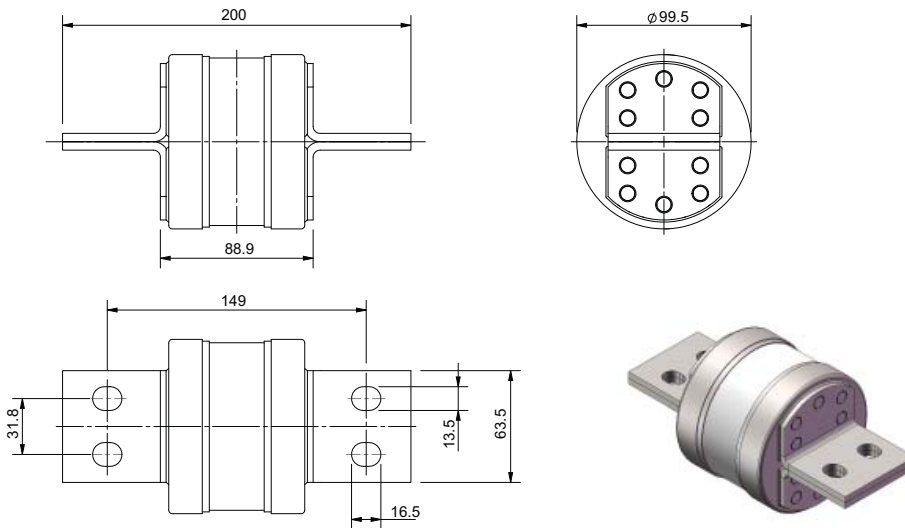
Data sheet: 10078

## Centre bolted tags fuse links

**TXU, class gG, 660-690 V a.c. and 300 V d.c., 1000 and 1250 A**

Catalogue numbers	Rated voltage	Rated current (Amps)	Breaking capacity	Operating class	BS reference	Fixing centre (mm)	Pack quantity
TXU1000	660-690 V a.c. / 300 V d.c.	1000	80 kA at 690 V a.c.	gG	D1	149	1
TXU1250	660-690 V a.c. / 300 V d.c.	1250	80 kA at 690 V a.c.	gG	D1	149	1

### Dimensions - mm



Data sheet: 10078

# BS88 Fuse holders

## Camaster fuse holders

### Specifications

#### Description

BS Fuse holders specifically designed to fit BS fuse links.

#### Technical data

Rated voltage: 690 V a.c.  
Rated current: 20 to 100 A



#### Standard/agency information

ASTA certified to IEC 60269.

### Product selection

Catalogue numbers	Description	Colour	Rated current (Amps)	Rated voltage	Minimum conductor size (mm <sup>2</sup> )	Maximum conductor size (mm <sup>2</sup> )	Pack quantity	Compatible fuse links
CM20F	Front connected*	Black	20	690 V a.c.	0.5	16	10	NITD, NIT,
CM32FC	Front connected compact*	Black	32	690 V a.c.	0.5	16	10	NITD, NIT
CM32FCG	Front connected compact*	Green	32	690 V a.c.	0.5	16	10	NITD, NIT
CM32FCW	Front connectd compact*	White	32	690 V a.c.	0.5	16	10	NITD, NIT,
CM32F	Front connected*	Black	32	690 V a.c.	1.5	16	10	AAO, TIA
CM32FG	Front connected*	Green	32	690 V a.c.	1.5	16	10	AAO, TIA
CM32FW	Front connected*	White	32	690 V a.c.	1.5	16	10	AAO, TIA
CM63F	Front connected*	Black	63	690 V a.c.	1.5	70	10	BAO, TIS
CM63FW	Front connected*	White	63	690 V a.c.	1.5	70	10	BAO, TIS
CM100F	Front connected*	Black	100	690 V a.c.	1.5	70	5	OSD
CM100FW	Front connected*	White	100	690 V a.c.	1.5	70	5	OSD

\* Back studs can be retrofitted as standard

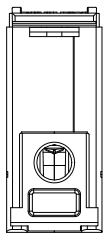
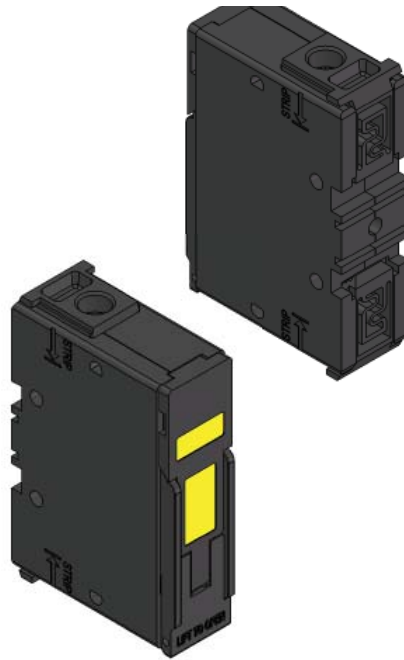
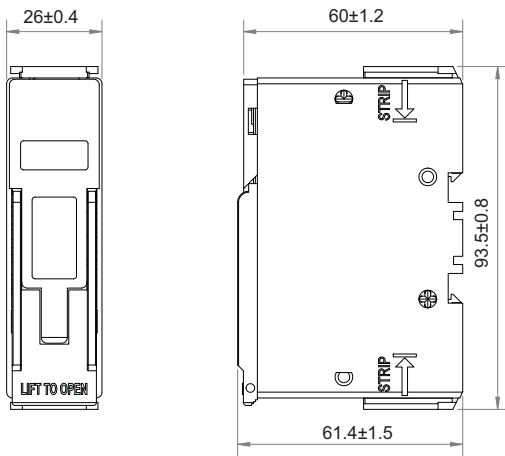
### Accessories

Catalogue numbers	Description	Pack quantity
32BSC	Back stud for 20-32 A compact Camaster	10
32BS	Back stud conversion kit for 32 A Camaster	10
63-100BS	Back stud for 63-100 A Camaster	5
32CMLC	Neutral link for 32 A compact Camaster	10
32CML	Neutral link for 32 A Camaster	1
63-100CML	Neutral link for 63-100 A Camaster	1
32LSCC	Lockable safety carrier 20-32 A compact	3
32LSC	Lockable safety carrier 32 A	3
63-100LSC	Lockable safety carrier 63 - 100 A	3
NI	Neon indicator for 32 - 100 A	3

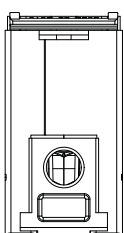
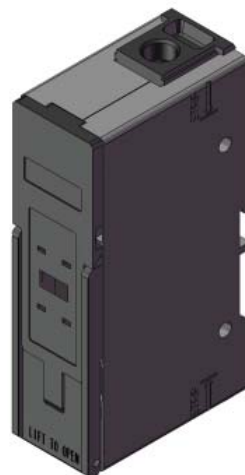
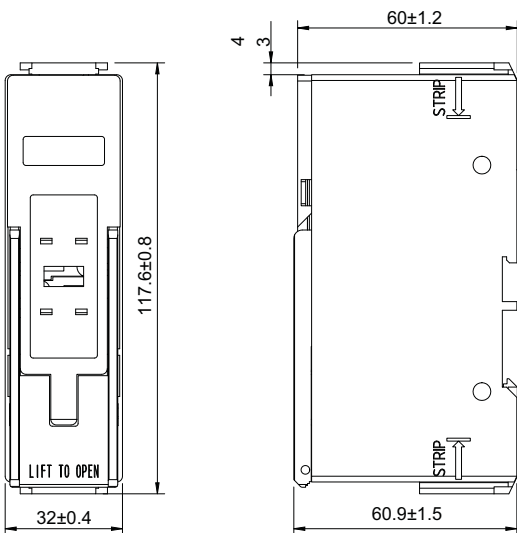


## Camaster fuse holders

### Dimensions - mm



### CM20F and CM32FC

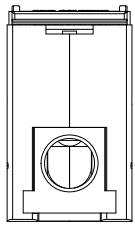
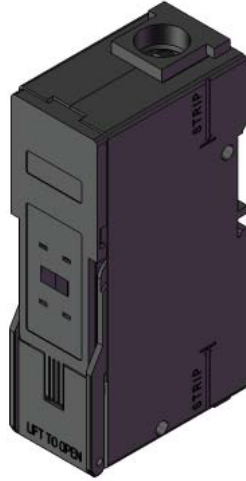
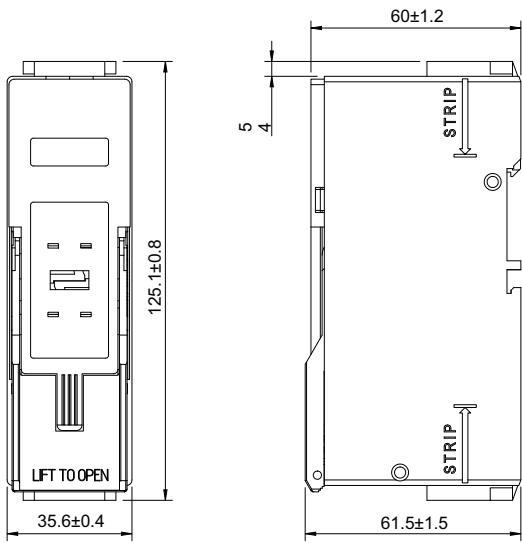


### CM32F

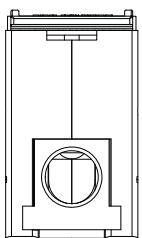
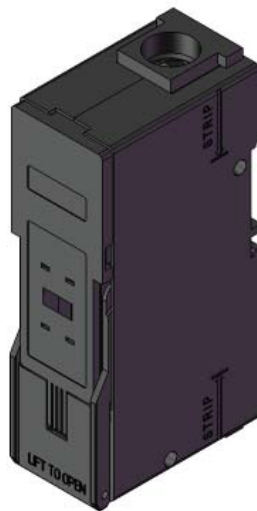
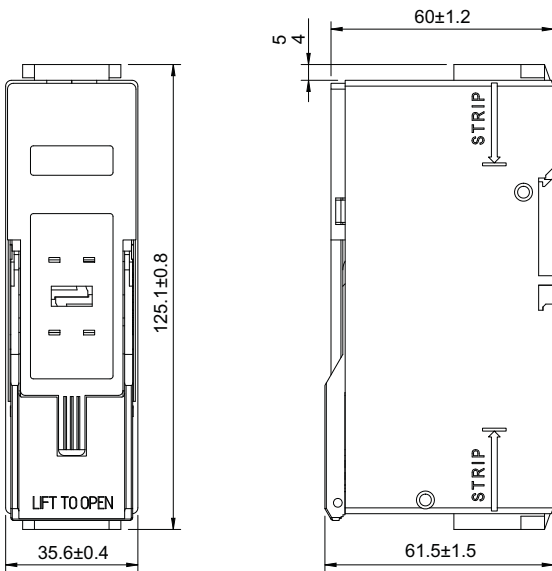
Data sheet: 10415

# Camaster fuse holders

## Dimensions - mm



### CM63F



### CM100F

Data sheet: 10415



## Safeloc fuse holders

### Specifications

#### Description

BS Fuse holders specifically designed to fit BS fuse links.

#### Technical data

Rated voltage: 550 V a.c.

Rated current: 32 to 63 A

#### Standard/agency information

ASTA certified to IEC 60269.



### Product selection

Catalogue numbers	Description	Colour	Rated current (Amps)	Rated voltage	Minimum conductor size (mm <sup>2</sup> )	Maximum conductor size (mm <sup>2</sup> )	Pack quantity	Compatible fuse links
32NNSBS	Back stud/back stud	Black	32	550 V a.c.	0.5	16	10	NSD
32NNSBSGREEN	Back stud/back stud	Green	32	550 V a.c.	0.5	16	10	NSD
32NNSBSWHITE	Back stud/back stud	White	32	550 V a.c.	0.5	16	10	NSD
32NNSF	Front connected/front connected	Black	32	550 V a.c.	0.5	16	10	NSD
32NNSFGREEN	Front connected/front connected	Green	32	550 V a.c.	0.5	16	10	NSD
32NNSFWHITE	Front connected/front connected	White	32	550 V a.c.	0.5	16	10	NSD
32NNSFBS	Front connected/back stud	Black	32	550 V a.c.	0.5	16	10	NSD
32NNSFBSWHITE	Front connected/back stud	White	32	550 V a.c.	0.5	16	10	NSD
63ENSBS	Back stud/back stud	Black	63	550 V a.c.	1.5	35	5	ESD
63ENSBSWHITE	Back stud/back stud	White	63	550 V a.c.	1.5	35	5	ESD
63ENSF	Front connected/front connected	Black	63	550 V a.c.	1.5	35	5	ESD
63ENSFWHITE	Front connected/front connected	White	63	550 V a.c.	1.5	35	5	ESD
63ENSFBS	Front connected/back stud	Black	63	550 V a.c.	1.5	35	5	ESD
63ENSFBSWHITE	Front connected/back stud	White	63	550 V a.c.	1.5	35	5	ESD



**Front connected**  
32NNSF



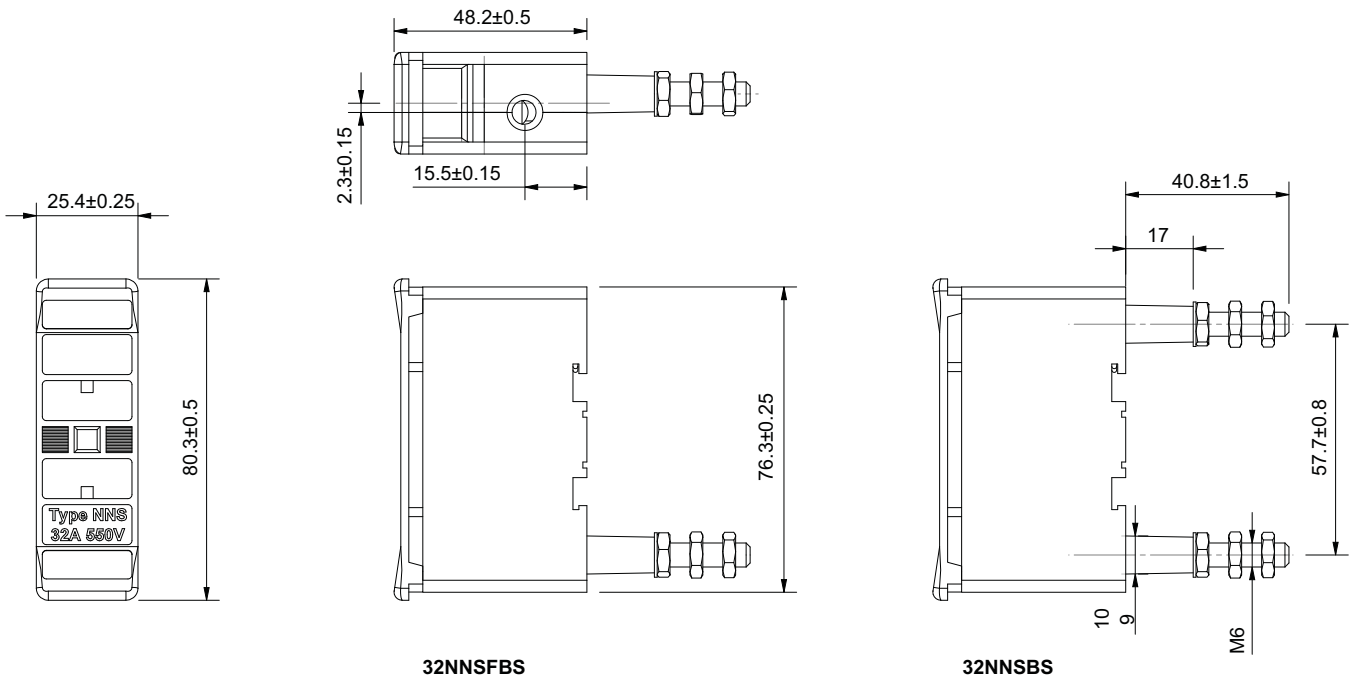
**One back stud**  
32NNSFBSWHITE



**Two back studs**  
32NNSBSWHITE

# Safeloc fuse holders

## Dimensions - mm



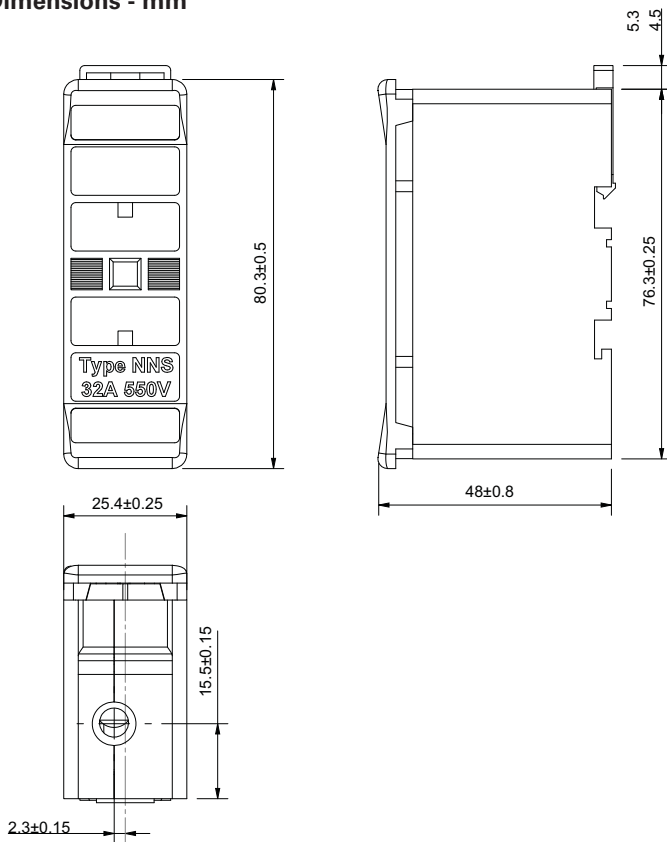
**32NNSFBSWHITE**  
Front connected/back stud



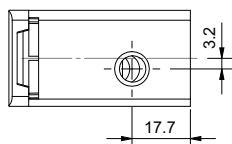
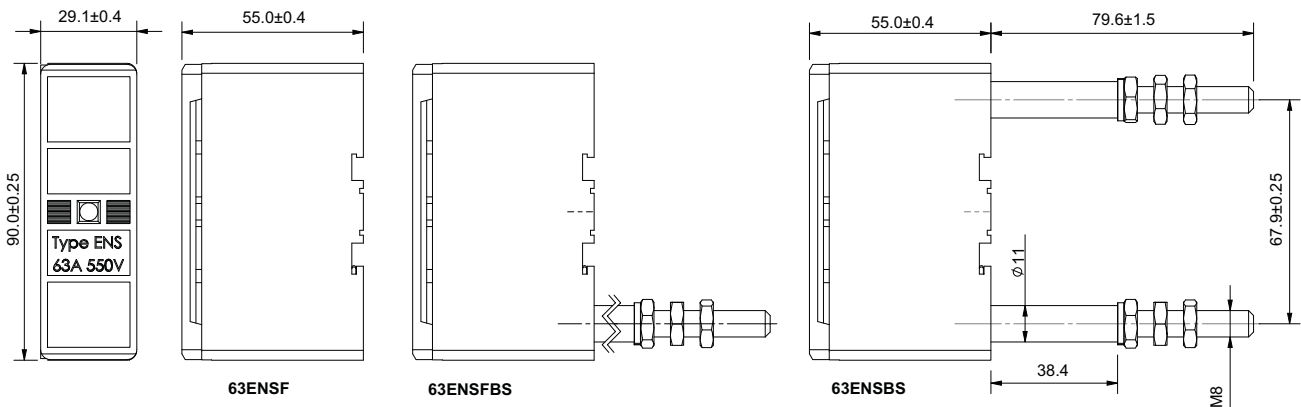
**32NNSBS**  
Back stud/back stud

# Safeloc fuse holders

## Dimensions - mm



**32NNSF**  
Front connected/front connected



**63ENSFWHITE**  
Front connected/front connected



**63ENSFBS**  
Front connected/back stud



**63ENSBS**  
Back stud/back stud

# Safeclip fuse holders

## Specifications

### Description

BS Fuse holders specifically designed to fit BS fuse links.

### Technical data

Rated voltage: 550 V a.c.  
Rated current: 20 to 125 A

### Standard/agency information

BS88 and IEC 60269-1



## Product selection

Catalogue numbers	Description	Colour	Rated current (Amps)	Rated voltage	Minimum conductor size (mm <sup>2</sup> )	Maximum conductor size (mm <sup>2</sup> )	Pack quantity	Compatible fuse links
SC20H	Front connected	Black	20	550 V a.c.	0.5	16	10	SSD
SC20HWH	Front connected	White	20	550 V a.c.	0.5	16	10	SSD
SC20HGN	Front connected	Green	20	550 V a.c.	0.5	16	10	SSD
SC20P	Back stud connected	Black	20	550 V a.c.	0.5	16	10	SSD
SC20PWH	Back stud connected	White	20	550 V a.c.	0.5	16	10	SSD
SC20PGN	Back stud connected	Green	20	550 V a.c.	0.5	16	10	SSD
SC20BH	Busbar/front connected	Black	20	550 V a.c.	0.5	16	10	SSD
SC32H-D	Front connected	Black	32	550 V a.c.	0.5	16	10	NSD
SC32H-DWH	Front connected	White	32	550 V a.c.	0.5	16	10	NSD
SC32H-DGN	Front connected	Green	32	550 V a.c.	0.5	16	10	NSD
SC32P	Back stud connected	Black	32	550 V a.c.	0.5	16	10	NSD
SC32PWH	Back stud connected	White	32	550 V a.c.	0.5	16	10	NSD
SC32PGN	Back stud connected	Green	32	550 V a.c.	0.5	16	10	NSD
SC32BH	Busbar/front connected	Black	32	550 V a.c.	0.5	16	10	NSD
SC32PH-D	Front/back stud connected	Black	32	550 V a.c.	0.5	16	10	NSD
SC32PH-DWH	Front/back stud connected	White	32	550 V a.c.	0.5	16	10	NSD
SC63H-D	Front connected	Black	63	550 V a.c.	2.5	25	10	ESD
SC63H-DWH	Front connected	White	63	550 V a.c.	2.5	25	10	ESD
SC63P	Back stud connected	Black	63	550 V a.c.	2.5	25	10	ESD
SC63BH	Busbar/front connected	Black	63	550 V a.c.	2.5	25	10	ESD
SC100H	Front connected	Black	100	550 V a.c.	2.5	50	5	OSD
SC125H-D	Front connected	Black	125	550 V a.c.	2.5	70	1	XS



**Front connected**  
SC20H



**Front/Back stud connected**  
SC32PH-D



**Back stud connected**  
SC20P



**Busbar/Front connected**  
SC32BH

# Safeclip fuse holders

## Accessories

Catalogue numbers	Type	To be used with fuse links	To be used with fuse holders	Pack quantity
SSC-LINK	Copper links	N/A	SC20	10
NSC-LINK	Copper links	N/A	SC32	10
ESC-LINK	Copper links	N/A	SC63	10
OSC-LINK	Copper links	N/A	SC100	10
XSC-LINK	Copper links	N/A	SC125	10
SC32LOCK	Padlockable inserts	N/A	SC32	10
SC63LOCK	Padlockable inserts	N/A	SC63	10
SCA63CAR	Adaptor carrier	NS	SC63	10
DIN-20-32	DIN-Rail adaptor*	N/A	SC20 and RS20	10

\* To fit NS fuses in SC63 holder

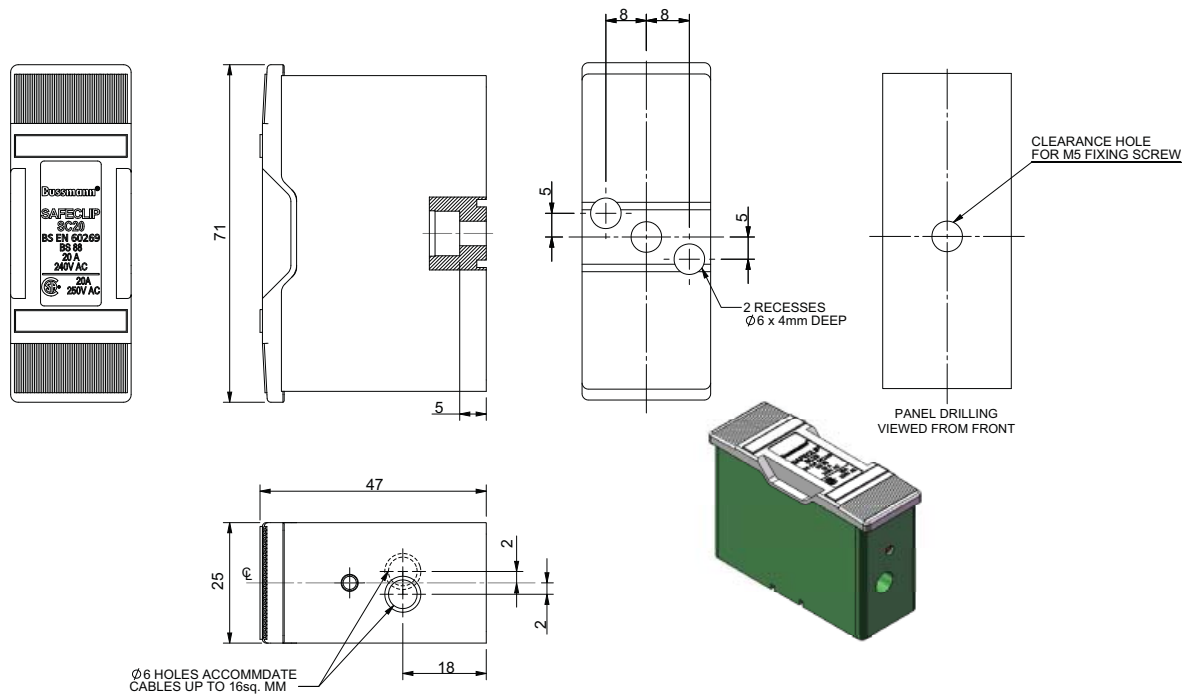


SSC-LINK

NSC-LINK

DIN-20-32

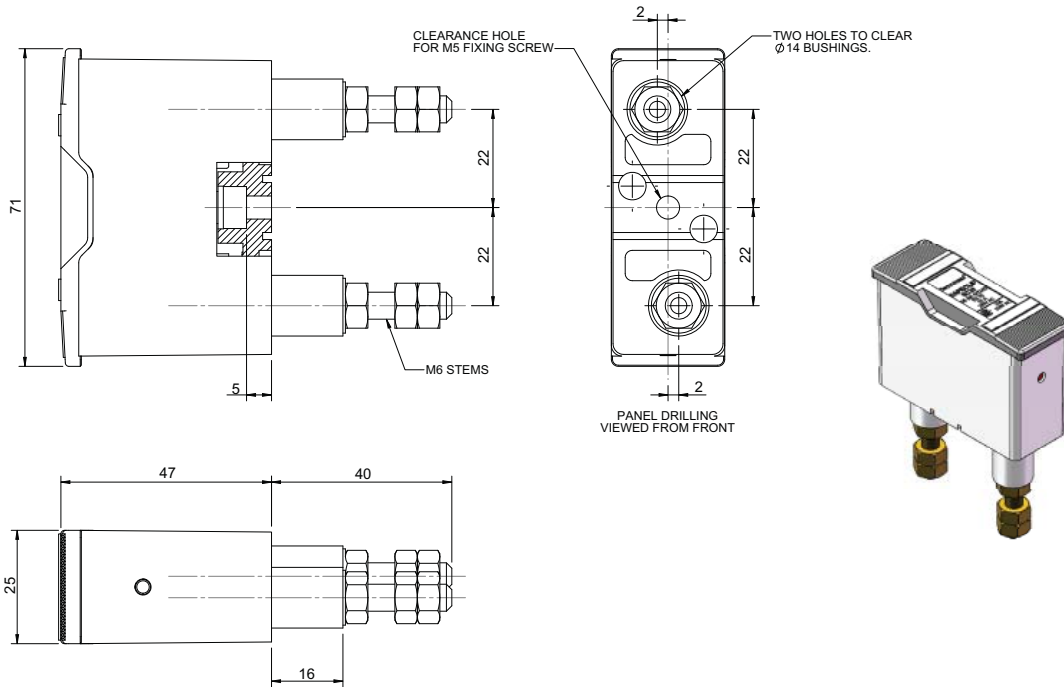
## Dimensions - mm



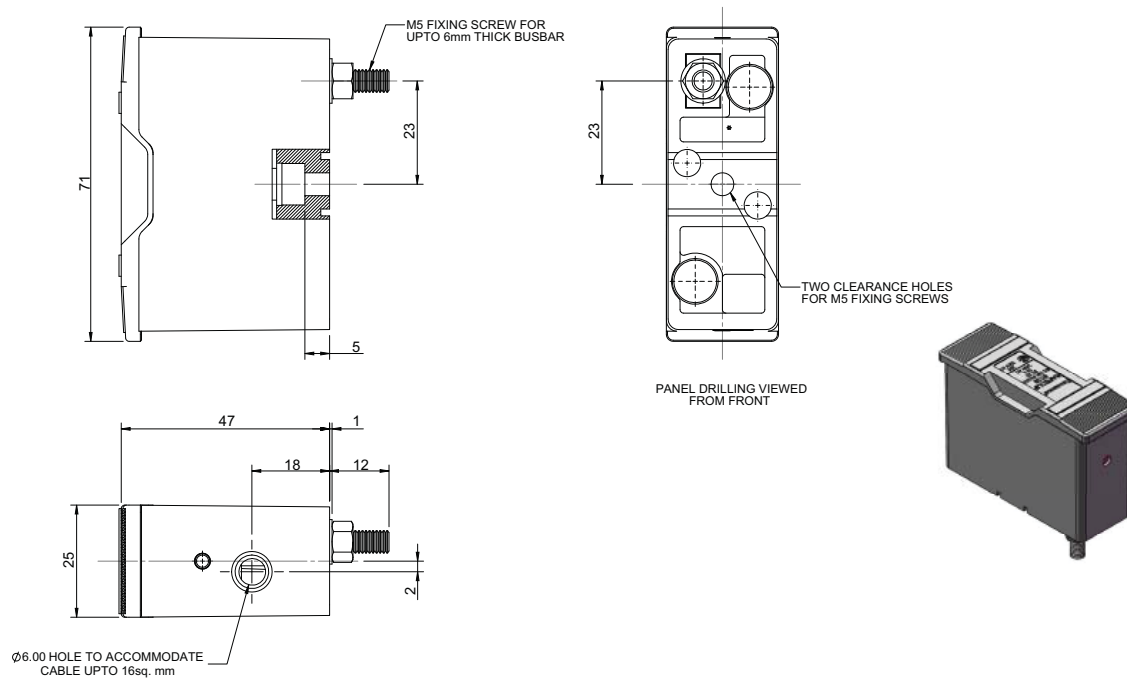
SC20H 20 A, Front connected

# Safeclip fuse holders

## Dimensions - mm



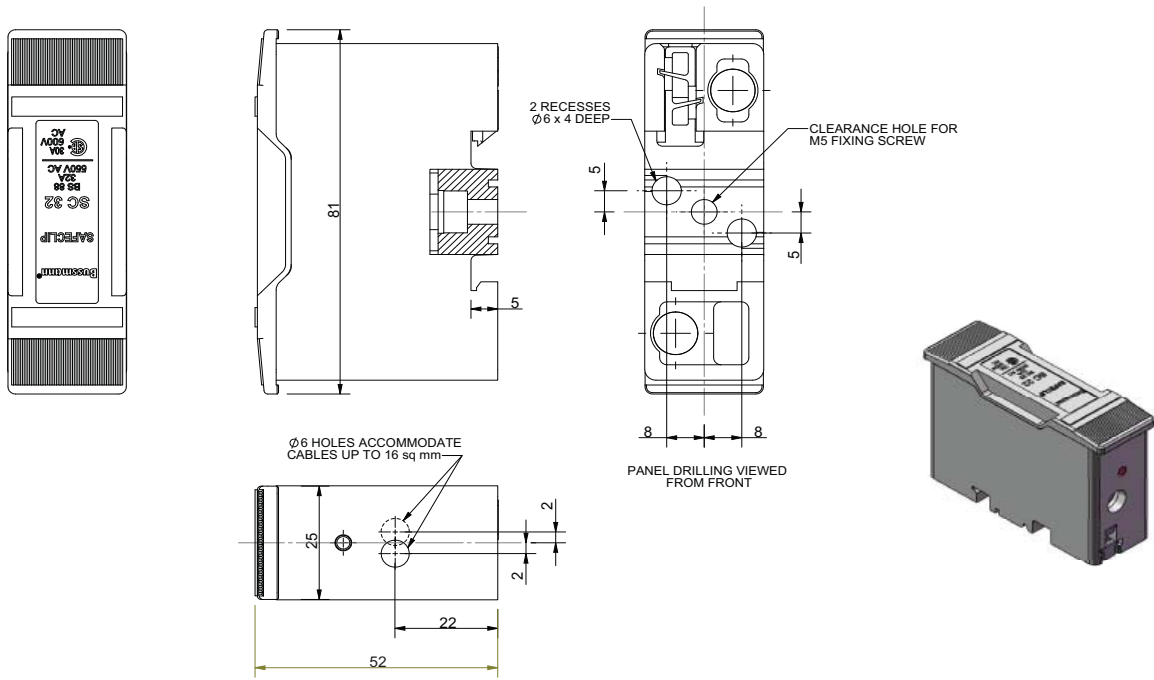
**SC20P 20 A, Back stud connected**



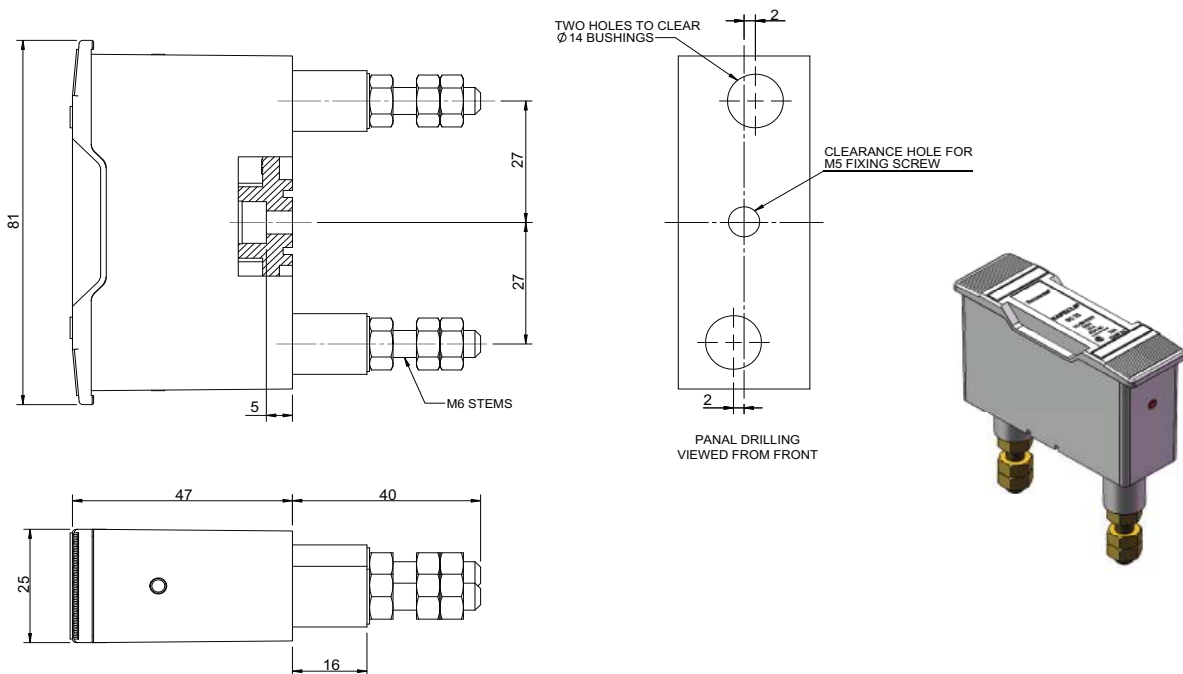
**SC20BH 20 A, Busbar/front connected**

# Safeclip fuse holders

## Dimensions - mm



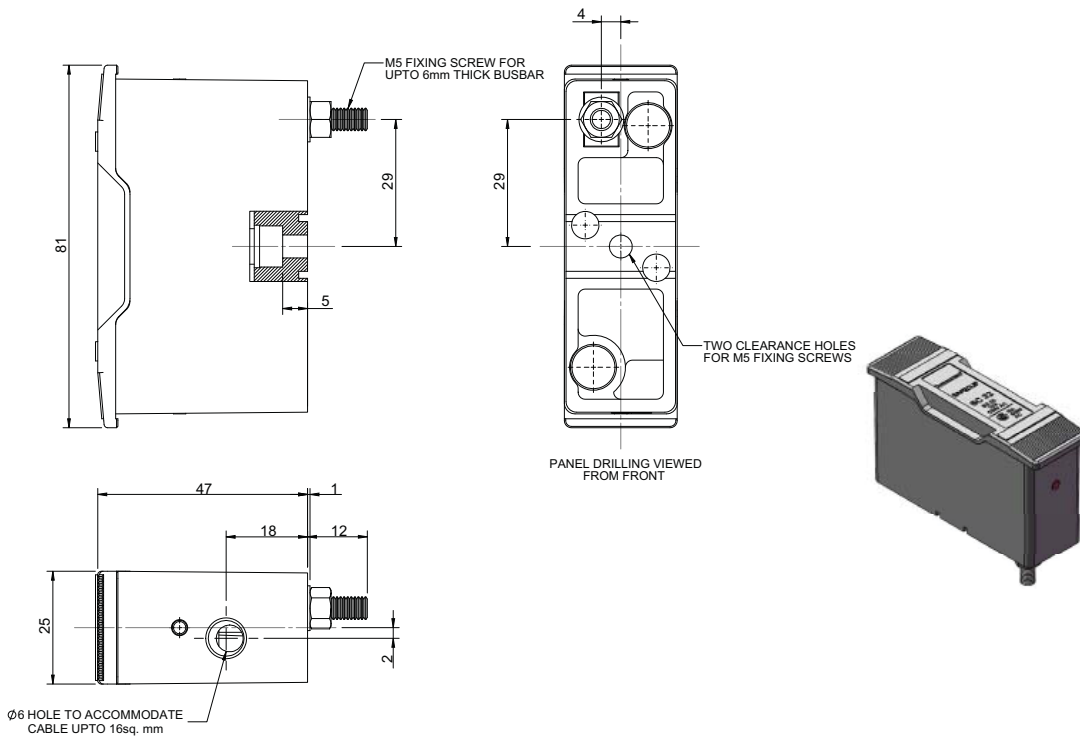
### SC32H-D 32 A, Front connected



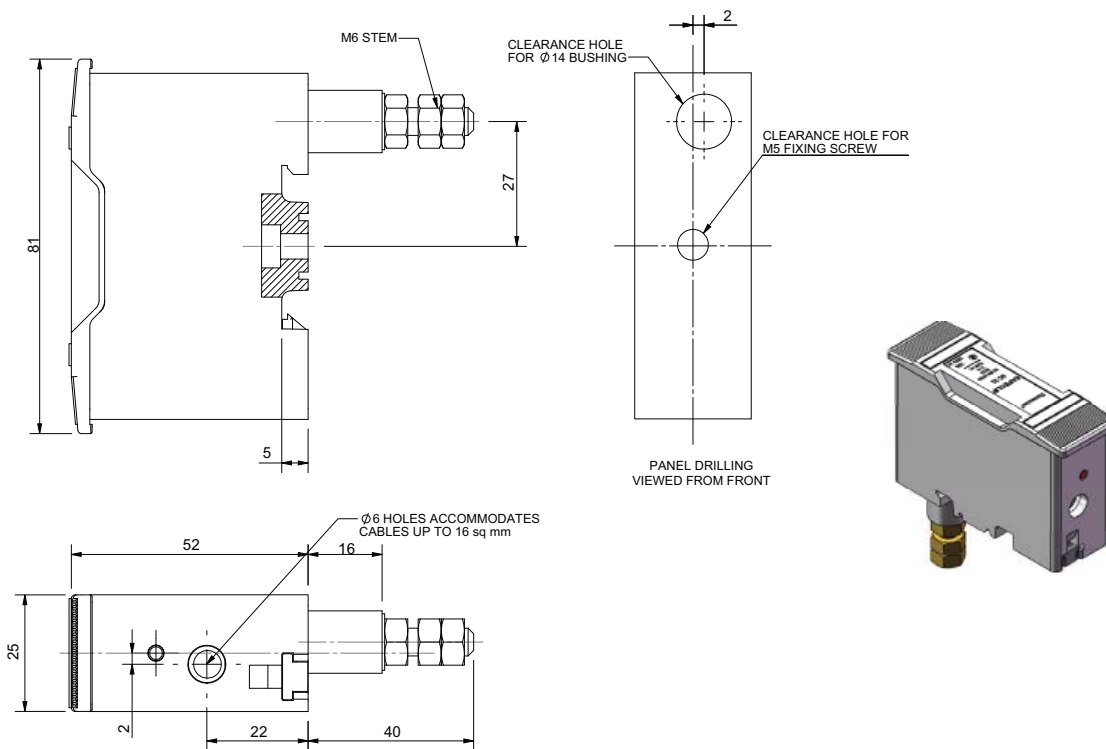
### SC32P 32 A, Back stud connected

# Safeclip fuse holders

## Dimensions - mm



### SC32BH 32 A, Busbar/Front connected



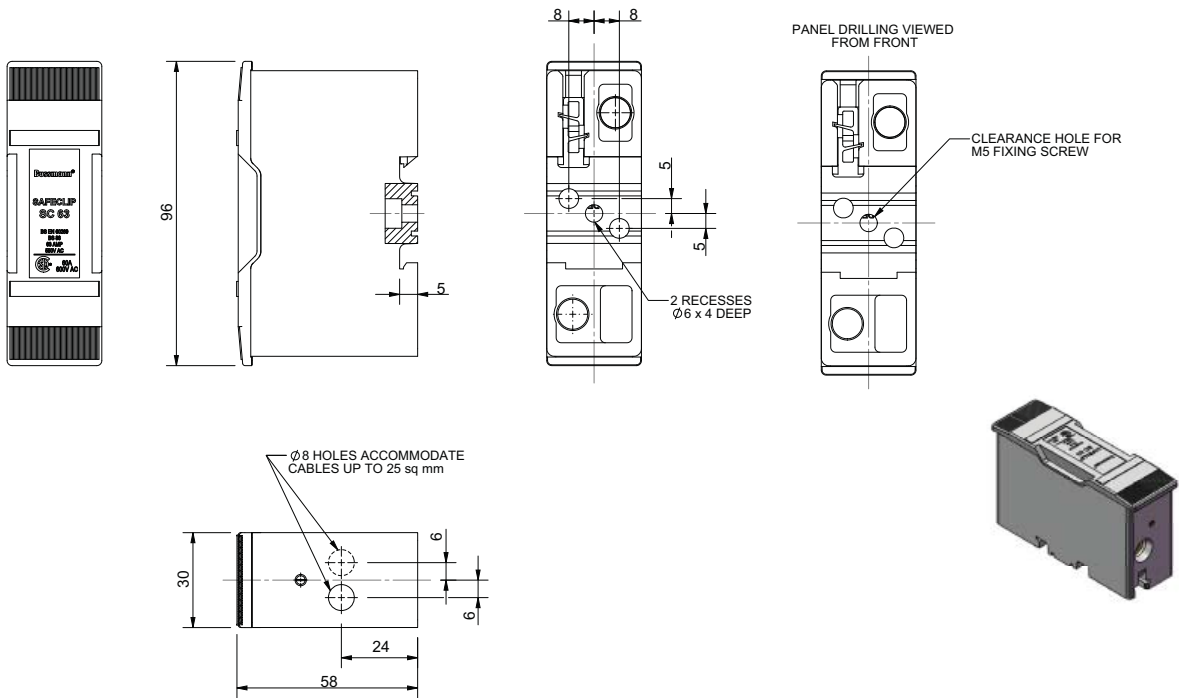
### SC32PH-D 32 A, Front/Back stud connected

Data sheet: 10137

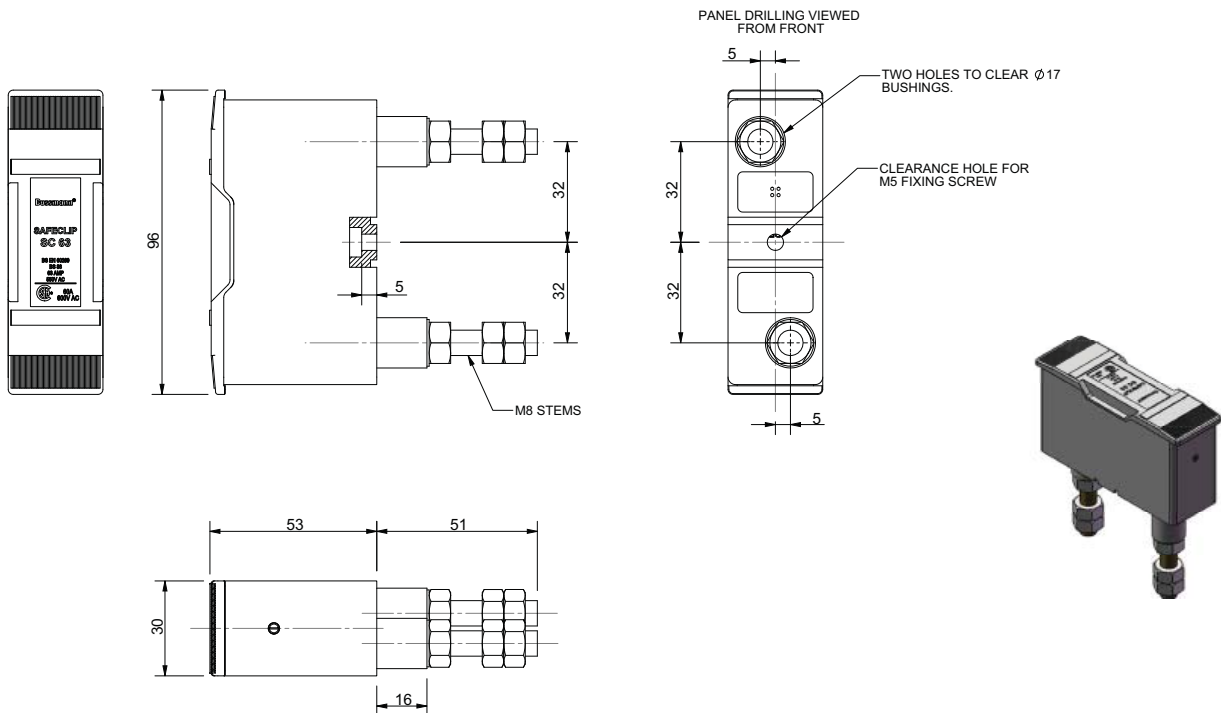


# Safeclip fuse holders

## Dimensions - mm



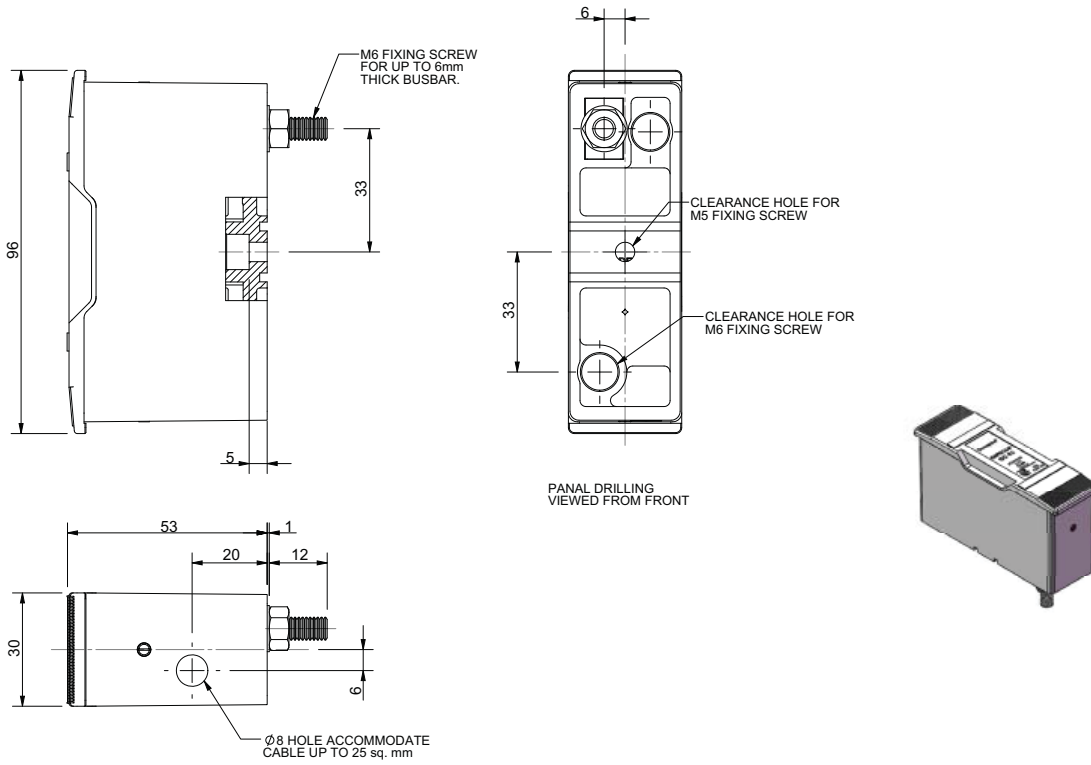
## SC63H-D 63 A, Front connected



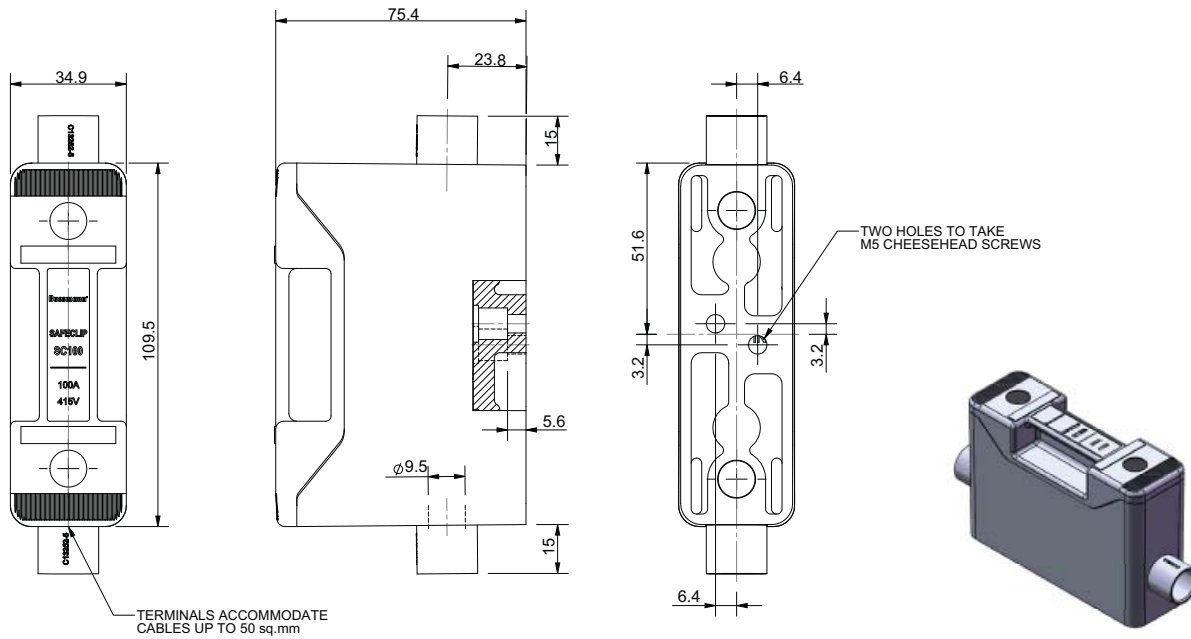
## SC63P 63 A, Back stud connected

# Safeclip fuse holders

## Dimensions - mm



## SC63BH 63 A Busbar/front connected

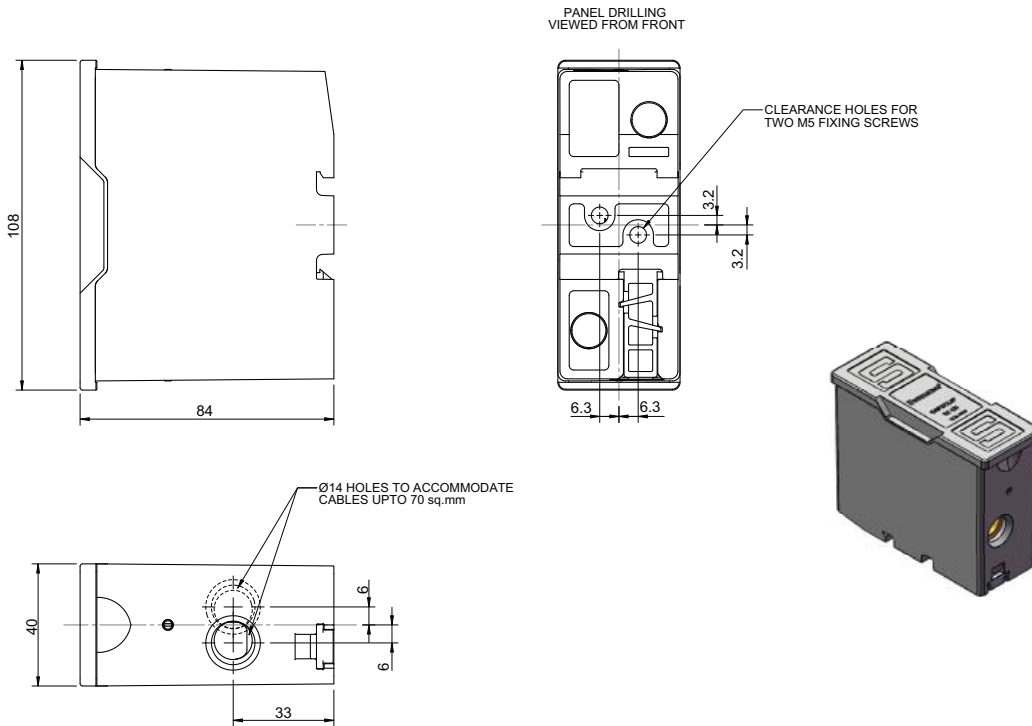


## SC100H 100 A, Front connected

Data sheet: 10137

# Safeclick fuse holders

## Dimensions - mm



## SC125H-D 125 A, Front connected

## Red spot fuse holders

### Specifications

#### Description

BS Fuse holders specifically designed to fit BS fuse links.

#### Technical data

Rated voltage: 660-690 V a.c. / 460 V d.c.

Rated current: 20 to 400 A

#### Standard/agency information

BS88 and IEC 60269-1



### Product selection

Catalogue numbers	Description	Colour	Rated current (Amps)	Rated voltage	Minimum conductor size (mm <sup>2</sup> )	Maximum conductor size (mm <sup>2</sup> )	Pack quantity	Compatible fuse links
RS20H	Front connected	Black	20	660-690 V a.c./460 V d.c.	1	10	10	NITD*, NIT
RS20HWH	Front connected	White	20	660-690 V a.c./460 V d.c.	1	10	10	NITD*, NIT
RS20HGN	Front connected	Green	20	660-690 V a.c./460 V d.c.	1	10	10	NITD*, NIT
RS20HGY	Front connected	Grey	20	660-690 V a.c./460 V d.c.	1	10	10	NITD*, NIT
RS20P-G	Back stud connected	Black	20	660-690 V a.c./460 V d.c.	1	10	10	NITD*, NIT
RS20P-GWH	Back stud connected	White	20	660-690 V a.c./460 V d.c.	1	10	10	NITD*, NIT
RS20P-GGN	Back stud connected	Green	20	660-690 V a.c./460 V d.c.	1	10	10	NITD*, NIT
RS20P-GGY	Back stud connected	Grey	20	660-690 V a.c./460 V d.c.	1	10	10	NITD*, NIT
RS20PH-G	Front/back stud connected	Black	20	660-690 V a.c./460 V d.c.	1	10	10	NITD*, NIT
RS20F	Back stud connected, flush mounted	Black	20	660-690 V a.c./460 V d.c.	1	10	10	NITD*, NIT
RS20FWH	Back stud connected, flush mounted	White	20	660-690 V a.c./460 V d.c.	1	10	10	NITD*, NIT
RS20FGN	Back stud connected, flush mounted	Green	20	660-690 V a.c./460 V d.c.	1	10	10	NITD*, NIT
RS20FGY	Back stud connected, flush mounted	Grey	20	660-690 V a.c./460 V d.c.	1	10	10	NITD*, NIT
RS32H	Front connected	Black	32	660-690 V a.c./460 V d.c.	1	16	10	TIA, AAO, H07-660
RS32HWH	Front connected	White	32	660-690 V a.c./460 V d.c.	1	16	10	TIA, AAO, H07-660
RS32HGN	Front connected	Green	32	660-690 V a.c./460 V d.c.	1	16	10	TIA, AAO, H07-660
RS32P	Back stud connected	Black	32	660-690 V a.c./460 V d.c.	1	16	10	TIA, AAO, H07-660
RS32PWH	Back stud connected	White	32	660-690 V a.c./460 V d.c.	1	16	10	TIA, AAO, H07-660
RS32PGN	Back stud connected	Green	32	660-690 V a.c./460 V d.c.	1	16	10	TIA, AAO, H07-660
RS32PH	Front/back stud connected	Black	32	660-690 V a.c./460 V d.c.	1	16	10	TIA, AAO, H07-660
RS63H	Front connected	Black	63	660-690 V a.c./460 V d.c.	4	50	10	TIS, BAO
RS63HWH	Front connected	White	63	660-690 V a.c./460 V d.c.	4	50	10	TIS, BAO
RS63P	Back stud connected	Black	63	660-690 V a.c./460 V d.c.	4	50	10	TIS, BAO
RS63PWH	Back stud connected	White	63	660-690 V a.c./460 V d.c.	4	50	10	TIS, BAO
RS63PH	Front/back stud connected	Black	63	660-690 V a.c./460 V d.c.	4	50	10	TIS, BAO
RS63PHWH	Front/back stud connected	White	63	660-690 V a.c./460 V d.c.	4	50	10	TIS, BAO
RS100H	Front connected	Black	100	660-690 V a.c./460 V d.c.	6	70	5	TCP, CEO
RS100HWH	Front connected	White	100	660-690 V a.c./460 V d.c.	6	70	5	TCP, CEO
RS100P	Back stud connected	Black	100	660-690 V a.c./460 V d.c.	6	70	5	TCP, CEO
RS100PWH	Back stud connected	White	100	660-690 V a.c./460 V d.c.	6	70	5	TCP, CEO
RS100PH	Front/back stud connected	Black	100	660-690 V a.c./460 V d.c.	6	70	5	TCP, CEO
RS200H	Front connected	Black	200	660-690 V a.c./460 V d.c.	10	120	1	TF, DD
RS200HWH	Front connected	White	200	660-690 V a.c./460 V d.c.	10	120	1	TF, DD
RS200P	Back stud connected	Black	200	660-690 V a.c./460 V d.c.	10	120	1	TF, DD
RS200PWH	Back stud connected	White	200	660-690 V a.c./460 V d.c.	10	120	1	TF, DD
RS200PH	Front/back stud connected	Black	200	660-690 V a.c./460 V d.c.	10	120	1	TF, DD
RS400H	Front connected	Black	400	660-690 V a.c./460 V d.c.	25	240	1	TM, EF
RS400P	Back stud connected	Black	400	660-690 V a.c./460 V d.c.	25	240	1	TM, EF
RS400PH	Front/back stud connected	Black	400	660-690 V a.c./460 V d.c.	25	240	1	TM, EF

Data sheet: 10024

\* NITD up to 20 A only

## Red spot fuse holders

### Accessories

Catalogue numbers	Description	Pack quantity	Compatible fuse links	Compatible fuse holders
RS20LOCK	Padlockable inserts	20	N/A	RS20
RS32LOCK	Padlockable inserts	10	N/A	RS32
RS63LOCK	Padlockable inserts	10	N/A	RS63
RS100LOCK	Padlockable inserts	10	N/A	RS100
RS20RED	Red warning carriers	10	N/A	RS20
RS32RED	Red warning carriers	10	N/A	RS32
RS63RED	Red warning carriers	10	N/A	RS63
RS100RED	Red warning carriers	1	N/A	RS100
P5372-10	Fuse link adaptors kits	1	TIA, TIS, AAO, BAO	RS100
TCA2	Fuse link adaptor kits	1	AD, BD, CD, DD, TBC, TC, TF	RS400



RS-LOCK



RS-RED

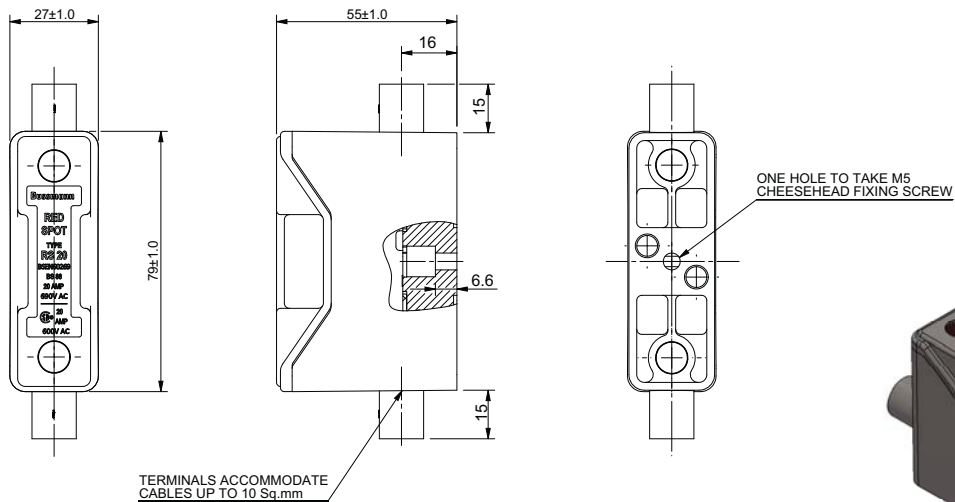


P5372--10



TCA2

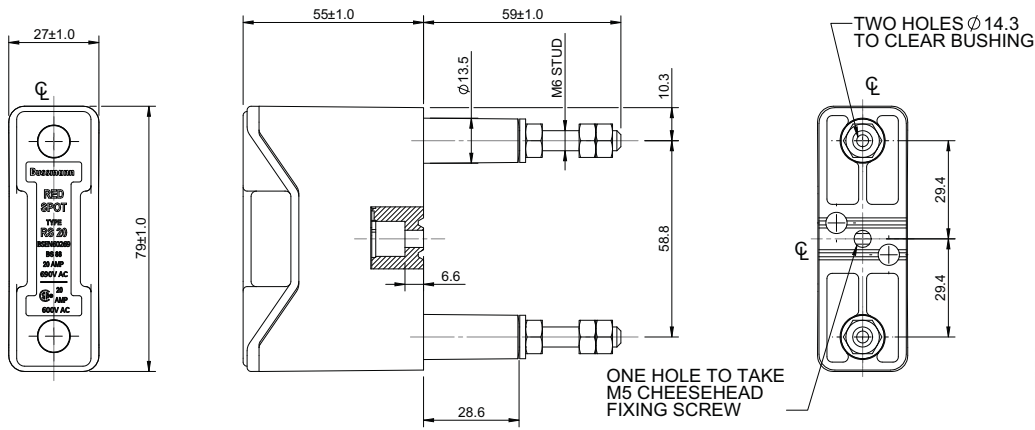
### Dimensions - mm



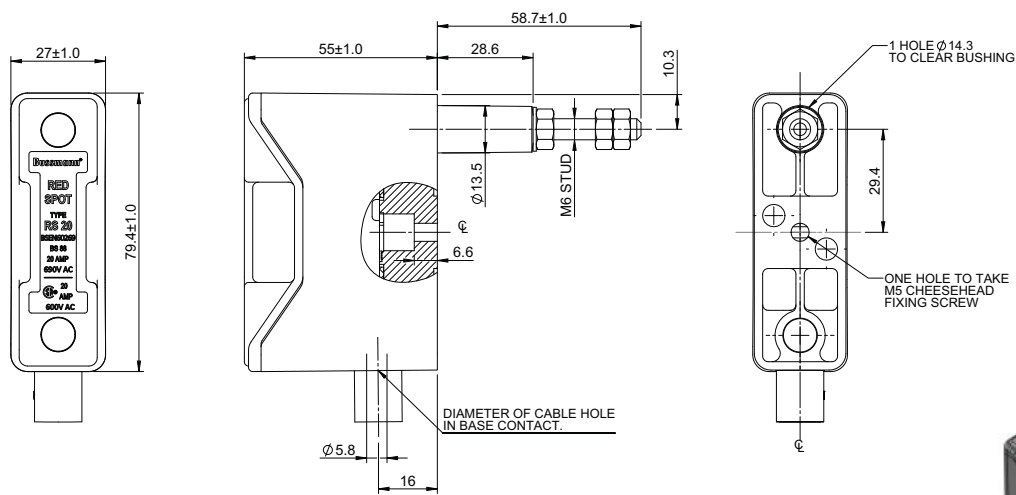
### RS20H 20 A, Front connected

# Red spot fuse holders

## Dimensions - mm



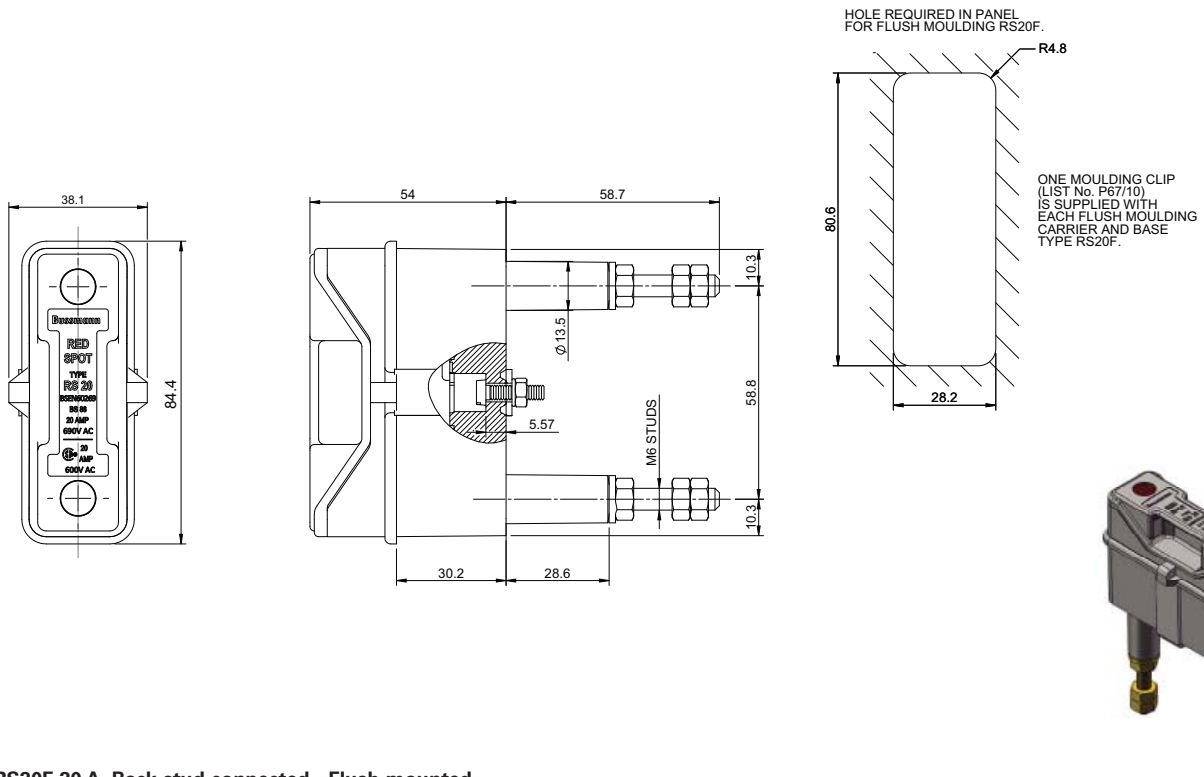
RS20P-G 20 A, Back stud connected



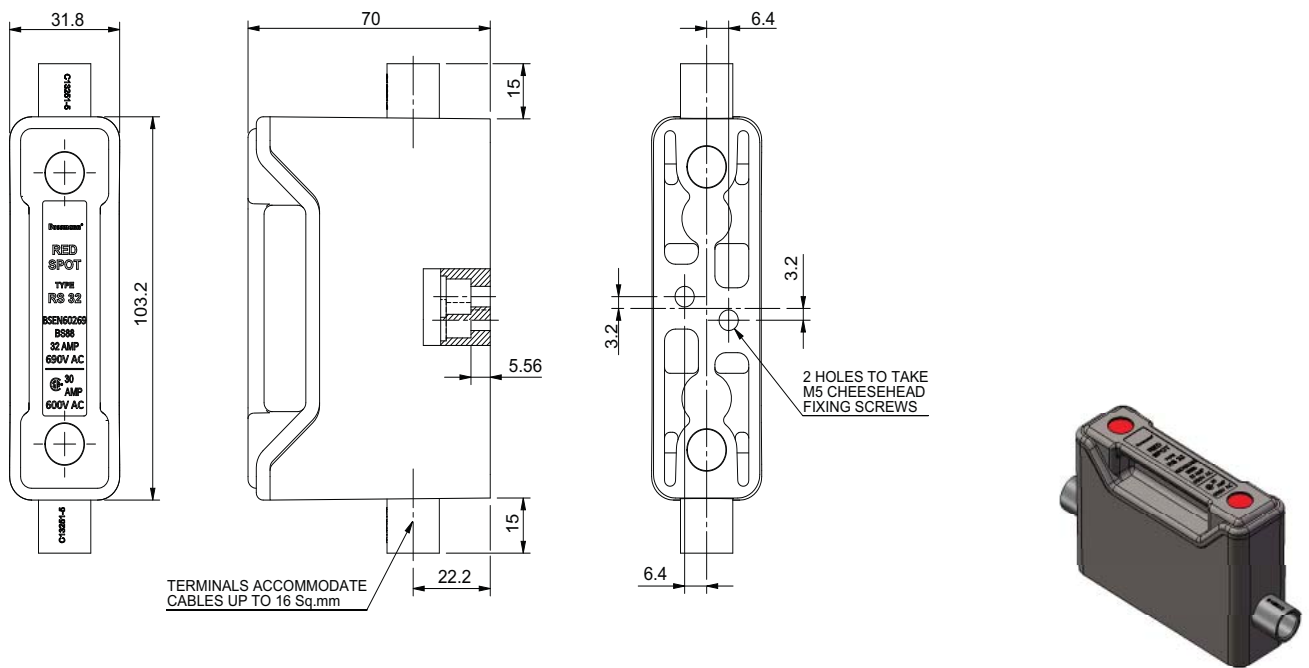
RS20PH-G 20 A, Front / Back stud connected

# Red spot fuse holders

## Dimensions - mm



RS20F 20 A, Back stud connected - Flush mounted

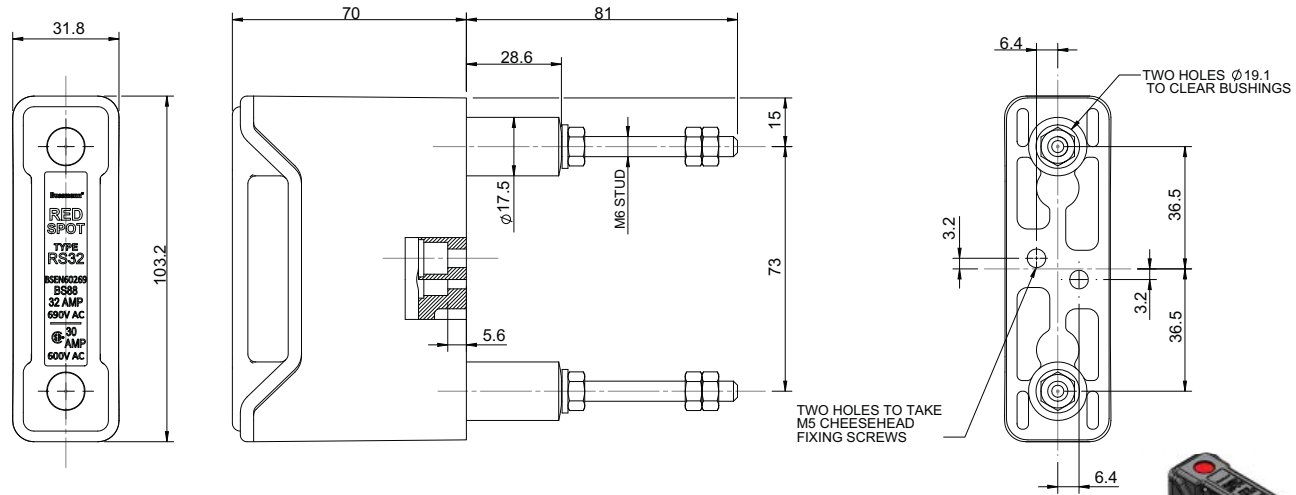


RS32H 32 A, Front connected

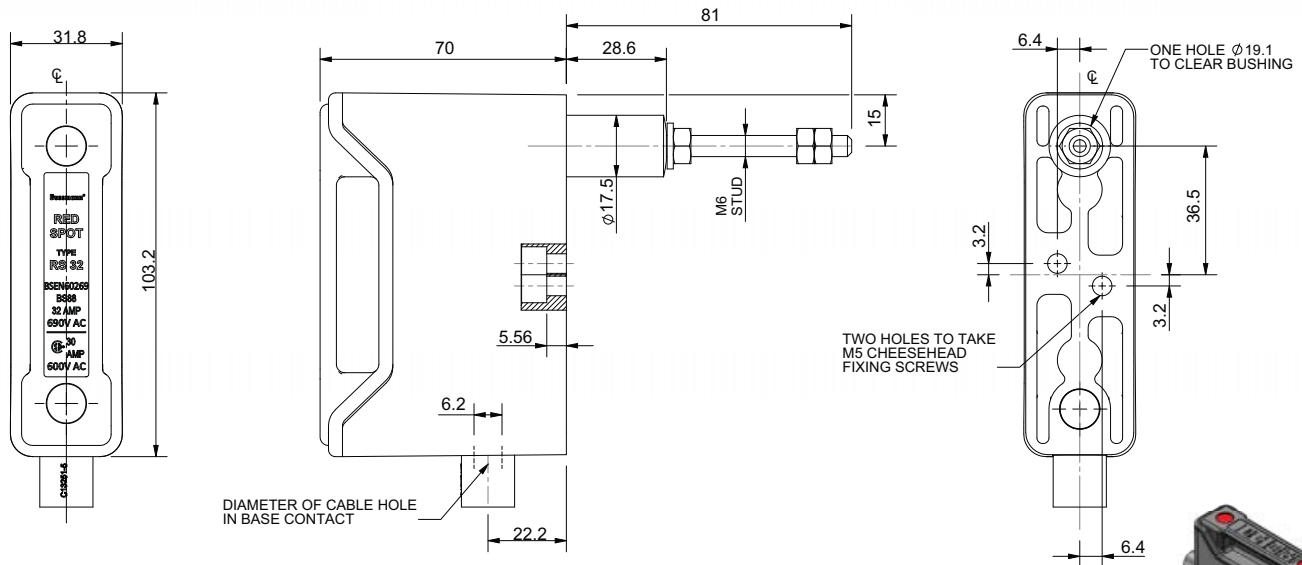
Data sheet: 10024

# Red spot fuse holders

## Dimensions - mm



RS32P 32 A, Back stud connected



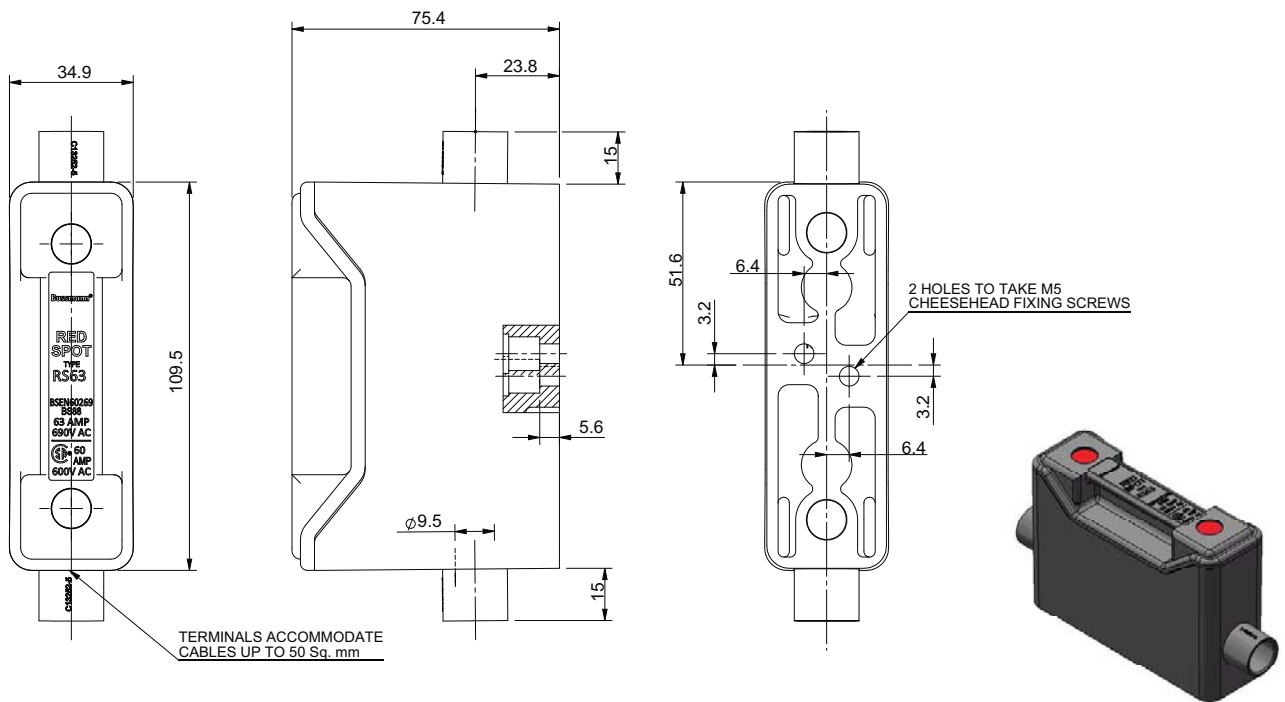
RS32PH 32 A, Front / Back stud connected



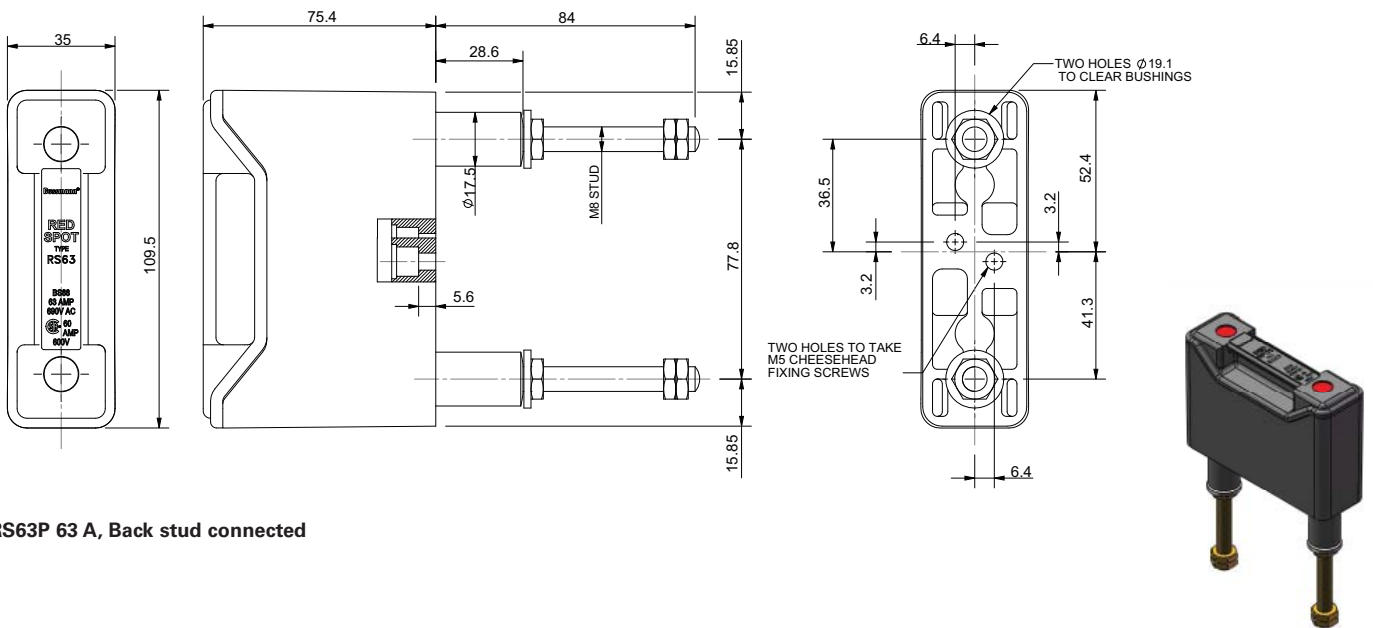


# Red spot fuse holders

## Dimensions - mm



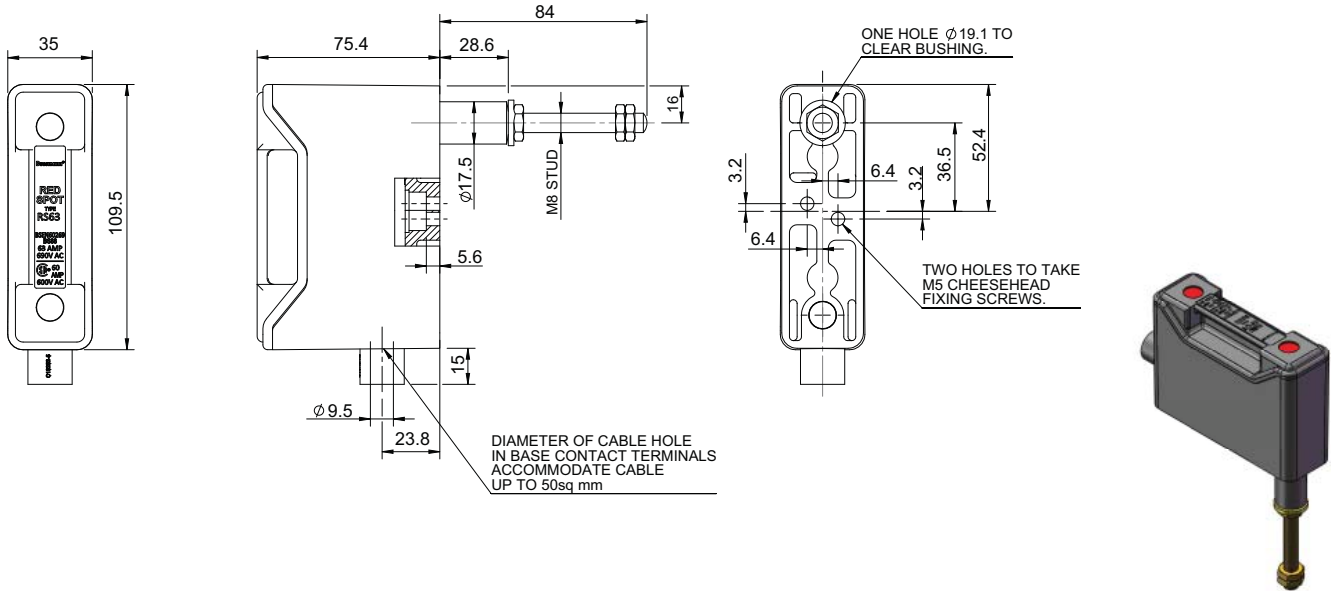
### RS63H 63 A, Front connected



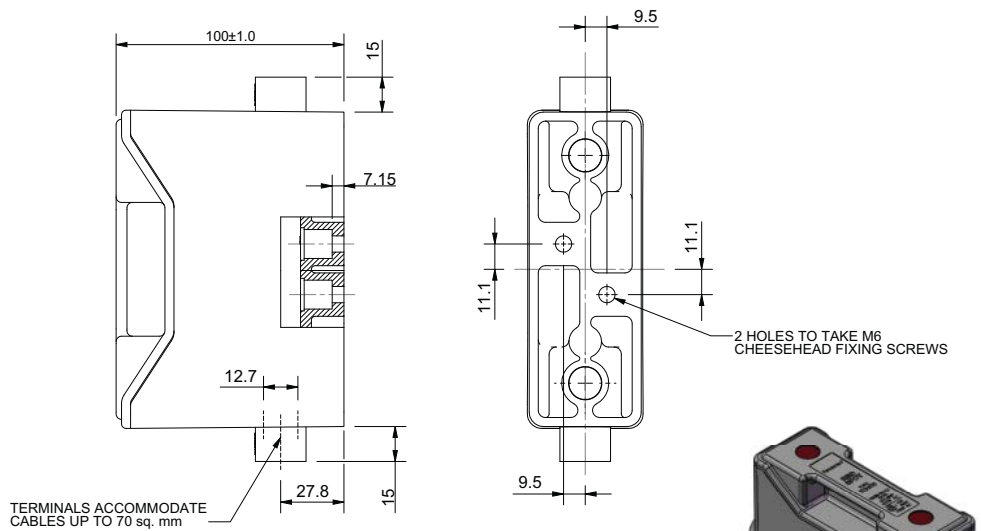
### RS63P 63 A, Back stud connected

# Red spot fuse holders

## Dimensions - mm



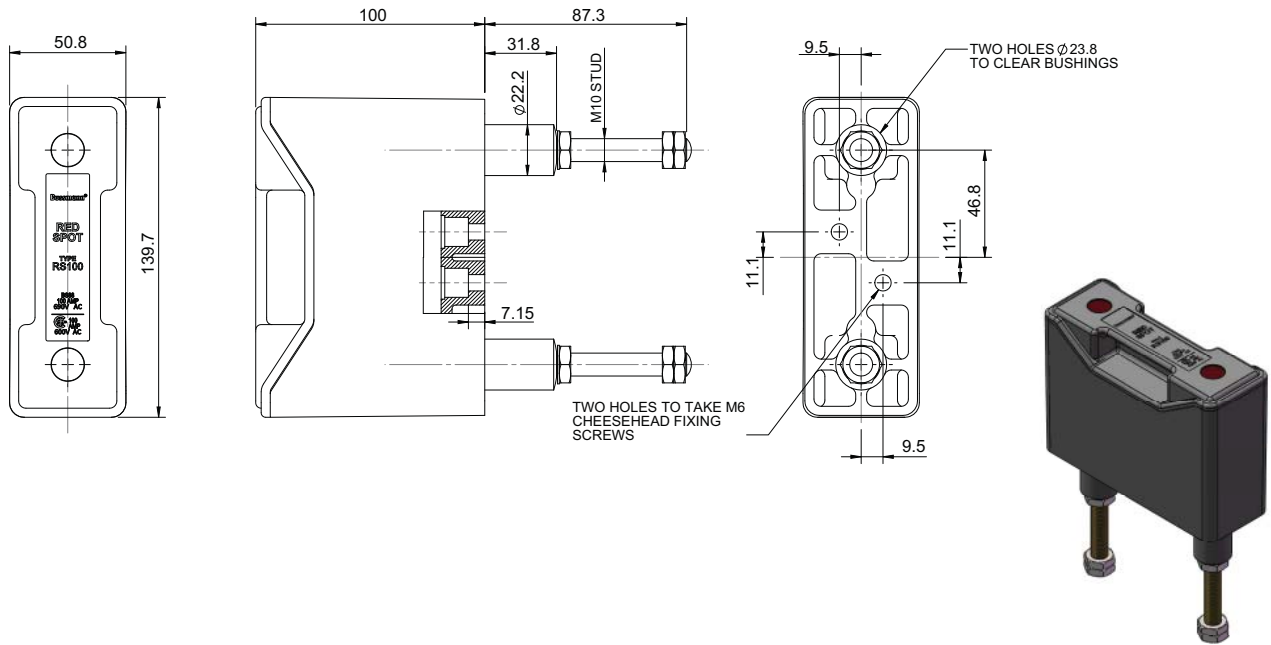
## RS63PH 63 A, Front / back stud connected



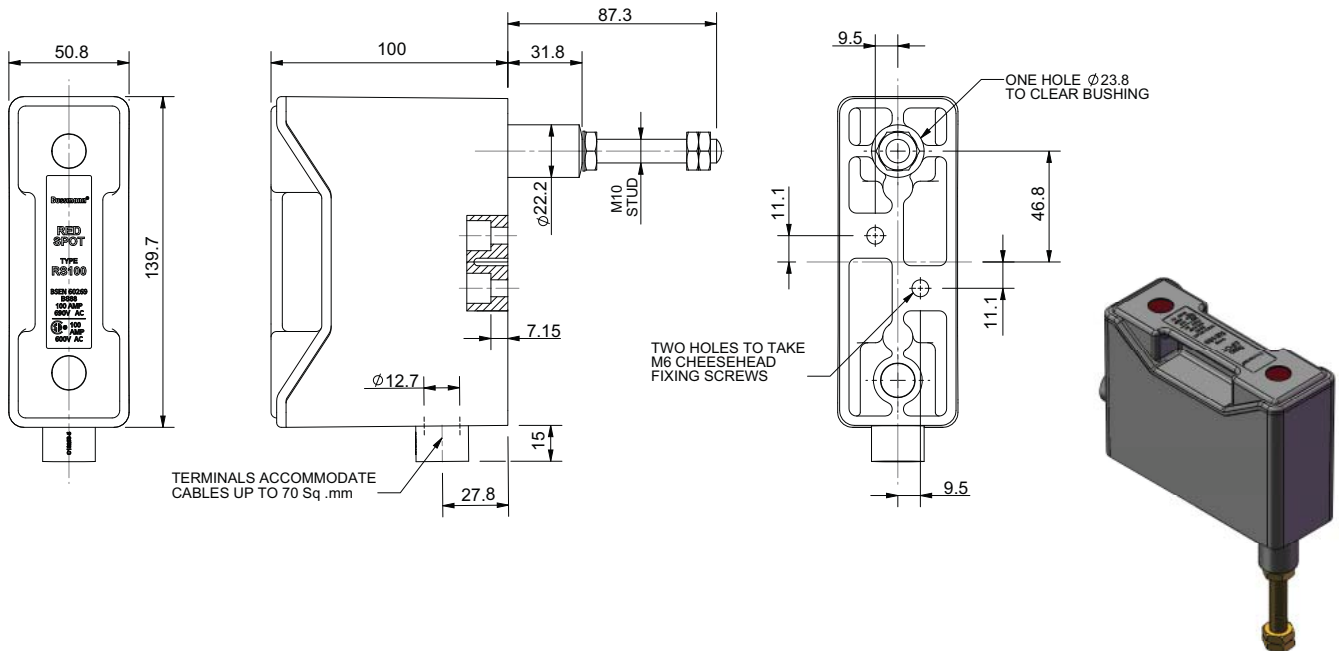
## RS100H 100 A, Front connected

# Red spot fuse holders

## Dimensions - mm



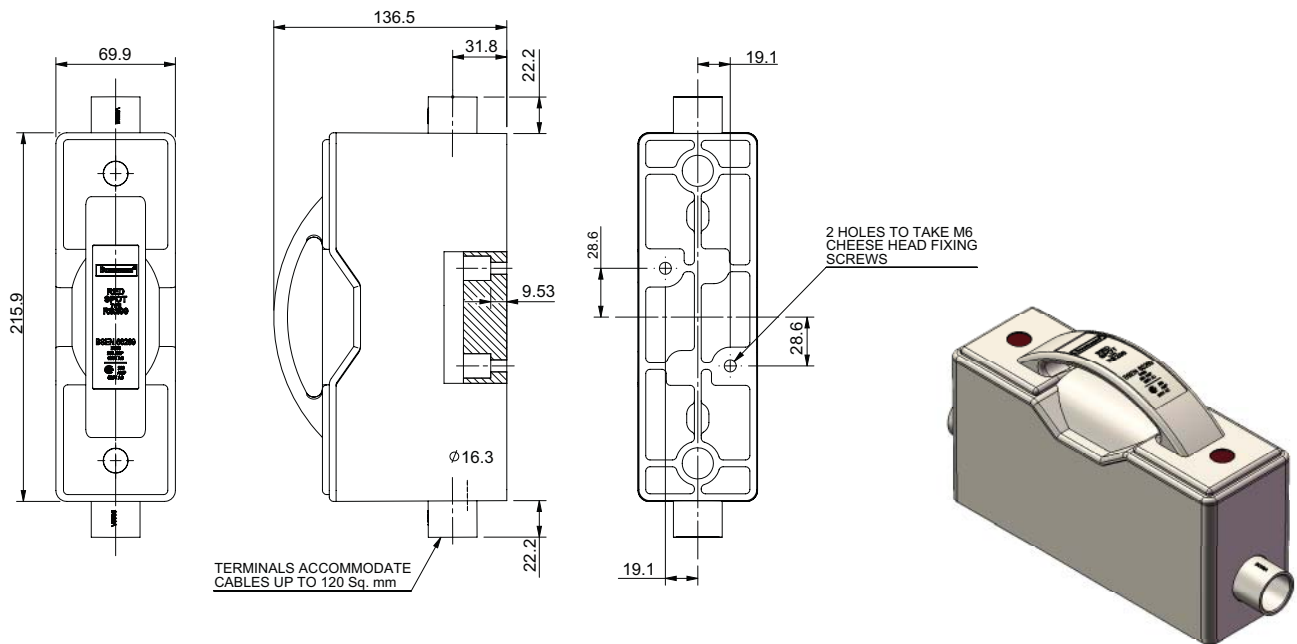
## RS100P 100 A, Back stud connected



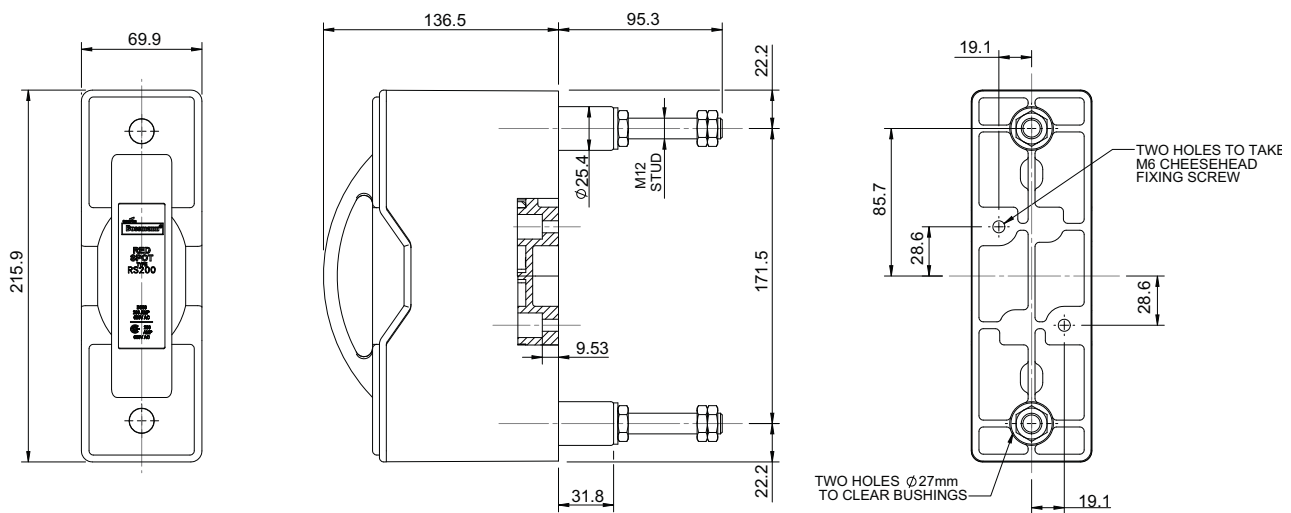
## RS100PH 100 A, Front / Back stud connected

## Red spot fuse holders

### Dimensions - mm



### RS200H 200 A, Front connected

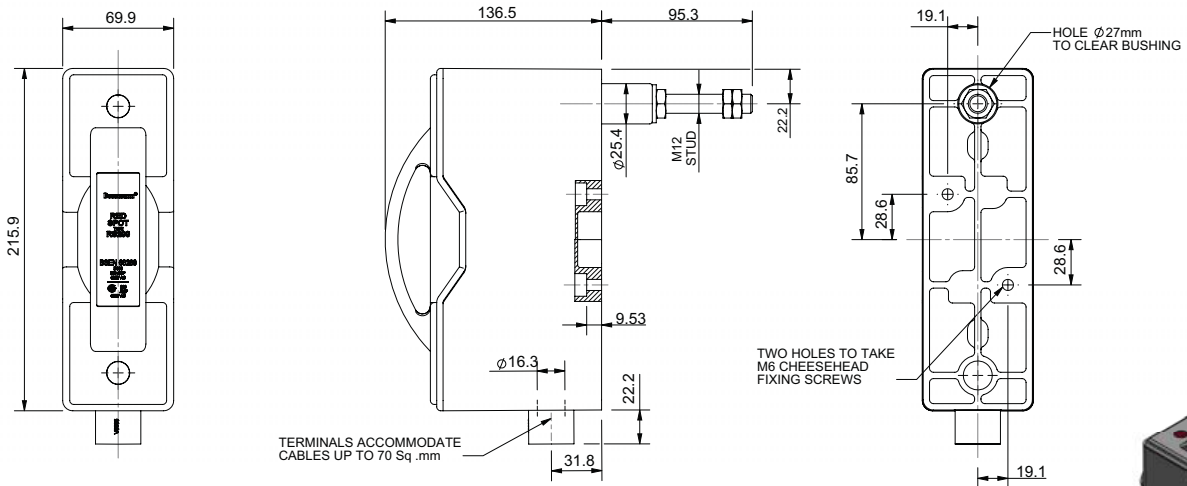


### RS200P Back stud connected

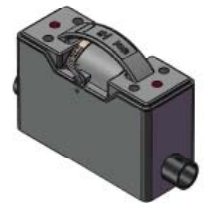
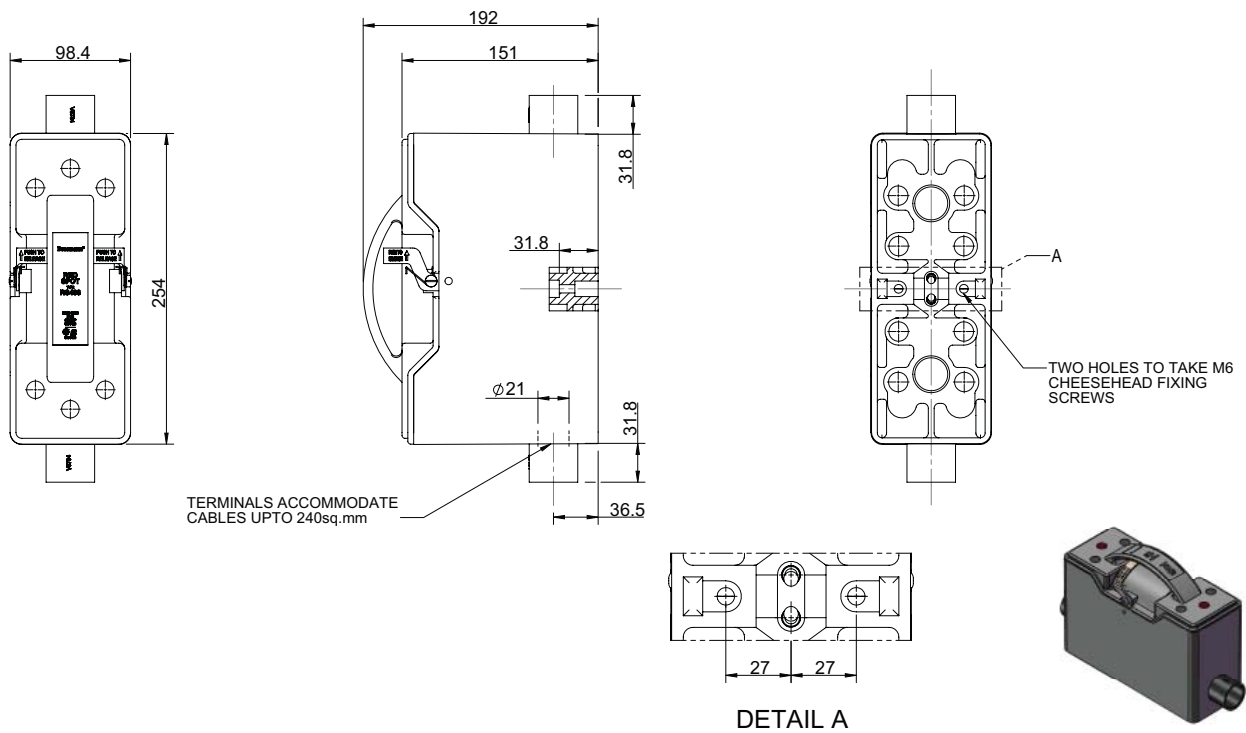


# Red spot fuse holders

## Dimensions- mm



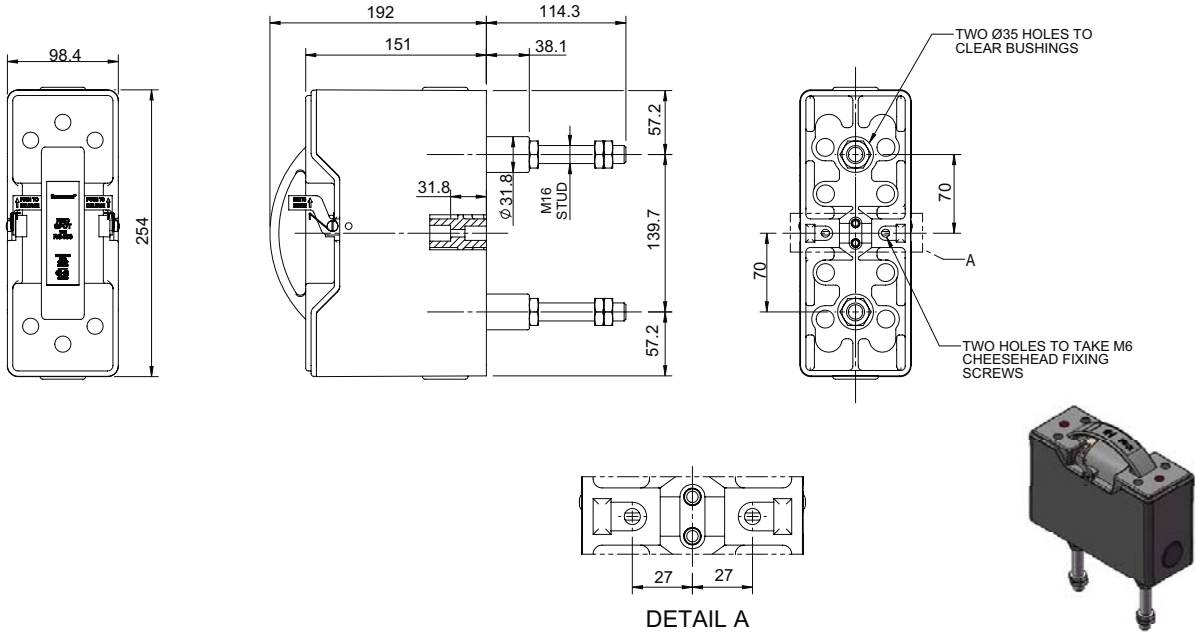
## RS200PH Front/back stud connected



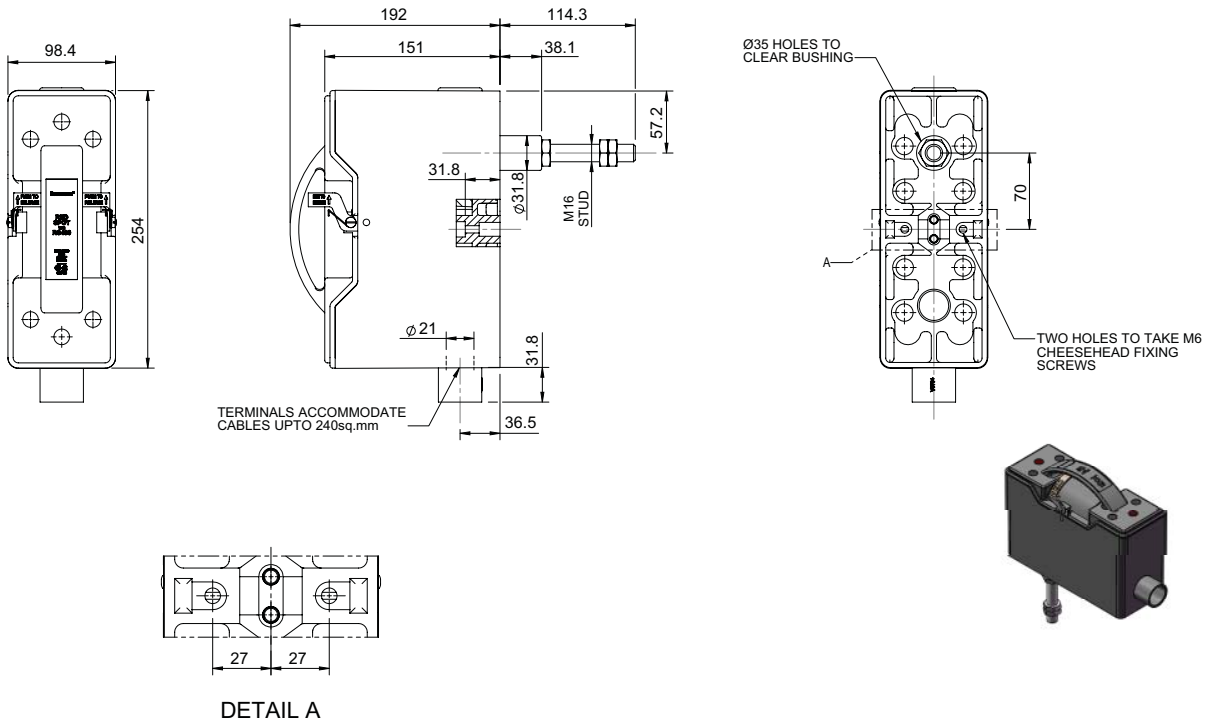
## RS400H Front connected

# Red spot fuse holders

## Dimensions - mm



### RS400P Back stud connected



### RS400PH Front/back stud connected

# Street lighting applications to BS88

## Cylindrical fuse links

### Specifications

#### Description

General fuse links for general street lighting applications with Q1 fusing purpose

#### Technical data

Rated voltage: 415 V a.c.  
 Rated current: 2 to 32 A  
 Breaking capacity: 80 kA at 415 V a.c.

#### Standard/agency information

Meets BS88 Part 1 and 2, IEC 60269 parts 1

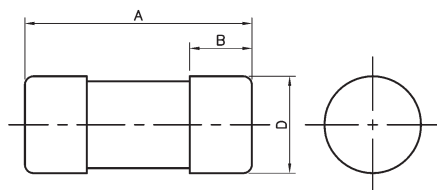
### Product selection

#### SMD, class gG, 415 V a.c., 2 to 32 A



Catalogue numbers	Rated voltage	Rated current (Amps)	Breaking capacity	Operating class	Pack quantity
SMD2	415 V a.c.	2	80 kA at 415 V a.c.	gG	20
SMD4	415 V a.c.	4	80 kA at 415 V a.c.	gG	20
SMD6	415 V a.c.	6	80 kA at 415 V a.c.	gG	20
SMD10	415 V a.c.	10	80 kA at 415 V a.c.	gG	20
SMD16	415 V a.c.	16	80 kA at 415 V a.c.	gG	20
SMD20	415 V a.c.	20	80 kA at 415 V a.c.	gG	20
SMD25	415 V a.c.	25	80 kA at 415 V a.c.	gG	20
SMD32	415 V a.c.	32	80 kA at 415 V a.c.	gG	20

#### Dimensions - mm



Catalogue numbers	A	B	D
SMD	29	12.7	16

## Offset bolted tags fuse links

### Specifications

#### Description

General fuse links for general street lighting applications with Q1 fusing purpose

#### Technical data

Rated voltage: 240 V a.c.  
 Rated current: 2 to 32 A  
 Breaking capacity: 33 kA at 240 V a.c.

#### Standard/agency information

Meets BS88 Part 1 and 2, IEC 60269 parts 1

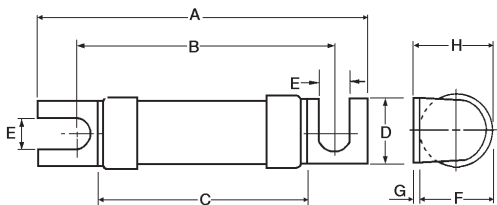
### Product selection

#### STD, class gG, 240 V a.c., 2 to 32 A



Catalogue numbers	Rated voltage	Rated current (Amps)	Breaking capacity	Operating class	Pack quantity
STD2	240 V a.c.	2	33 kA at 240 V a.c.	gG	20
STD4	240 V a.c.	4	33 kA at 240 V a.c.	gG	20
STD6	240 V a.c.	6	33 kA at 240 V a.c.	gG	20
STD10	240 V a.c.	10	33 kA at 240 V a.c.	gG	20
STD16	240 V a.c.	16	33 kA at 240 V a.c.	gG	20
STD20	240 V a.c.	20	33 kA at 240 V a.c.	gG	20
STD25	240 V a.c.	25	33 kA at 240 V a.c.	gG	20
STD32	240 V a.c.	32	33 kA at 240 V a.c.	gG	20

#### Dimensions - mm



Catalogue numbers	A	B	C	D	E	F	G	H
STD	47	35	24	11	4.7	12	0.8	13

Data sheet: 4123



# Domestic applications to BS 1361

## Consumer unit fuse links

### Specifications

#### Description

Cylindrical fuse links for domestic applications in compliance with BS 1361 for the protection of domestic distribution systems.

#### Technical data

Rated voltage: 240 V a.c.  
 Rated current: 5 to 45 A  
 Breaking capacity: 16.5 kA at 240 V a.c.

#### Standard/agency information

Approved to BS 1361

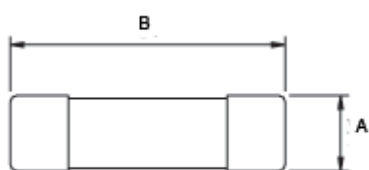
### Product selection

#### Class gG, 240 V a.c., 5 to 45 A



Catalogue numbers	Rated voltage	Rated current (Amps)	Breaking capacity	Operating class	Colour	Pack quantity
C55	240 V a.c.	5	16.5 kA at 240 V a.c.	gG	White	10
C1515	240 V a.c.	15	16.5 kA at 240 V a.c.	gG	Blue	10
C1520	240 V a.c.	20	16.5 kA at 240 V a.c.	gG	Yellow	10
C3030	240 V a.c.	30	16.5 kA at 240 V a.c.	gG	Red	10
C4545	240 V a.c.	45	16.5 kA at 240 V a.c.	gG	Green	10
BK-C55	240 V a.c.	5	16.5 kA at 240 V a.c.	gG	White	100
BK-C1515	240 V a.c.	15	16.5 kA at 240 V a.c.	gG	Blue	100
BK-C1520	240 V a.c.	20	16.5 kA at 240 V a.c.	gG	Yellow	100
BK-C3030	240 V a.c.	30	16.5 kA at 240 V a.c.	gG	Red	100
BK-C4545	240 V a.c.	45	16.5 kA at 240 V a.c.	gG	Green	100

#### Dimensions - mm



Catalogue numbers	A	B
C55	5.35	23
C1515	10.2	26
C1520	10.32	26
C3030	12.7	29
C4545	16.67	35

# Utility applications to BS88 (part 3) - House service cut-out fuse links

## KR85 and LR85 fuse links

### Specifications

#### Description

Cylindrical fuse links to be used in connection with house service cut-out for utility/residential applications.

#### Technical data

Rated voltage: 415 V a.c.  
 Rated current: 5 to 100 A  
 Breaking capacity: 33 kA at 415 V a.c.

#### Standard/agency information

Asta certified and tested in accordance to BS 88 part 3

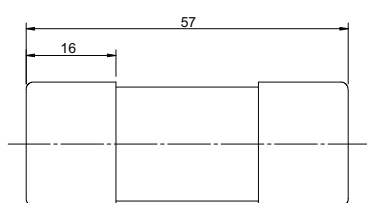
### Product selection

#### KR85 and LR85, Class gG, 415 V a.c., 5 to 100 A

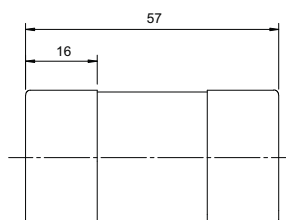
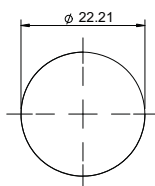


Catalogue numbers	Rated voltage	Rated current (Amps)	Breaking capacity	Operating class	BS 1361 type	Pack quantity
5KR85	415 V a.c.	5	33 kA at 415 V a.c.	gG	IIa	20
10KR85	415 V a.c.	10	33 kA at 415 V a.c.	gG	IIa	20
15KR85	415 V a.c.	15	33 kA at 415 V a.c.	gG	IIa	20
20KR85	415 V a.c.	20	33 kA at 415 V a.c.	gG	IIa	20
25KR85	415 V a.c.	25	33 kA at 415 V a.c.	gG	IIa	20
30KR85	415 V a.c.	30	33 kA at 415 V a.c.	gG	IIa	20
40KR85	415 V a.c.	40	33 kA at 415 V a.c.	gG	IIa	20
45KR85	415 V a.c.	45	33 kA at 415 V a.c.	gG	IIa	20
50KR85	415 V a.c.	50	33 kA at 415 V a.c.	gG	IIa	20
60KR85	415 V a.c.	60	33 kA at 415 V a.c.	gG	IIa	20
80KR85	415 V a.c.	80	33 kA at 415 V a.c.	gG	IIa	20
90KR85	415 V a.c.	90	33 kA at 415 V a.c.	gG	IIa	20
100KR85	415 V a.c.	100	33 kA at 415 V a.c.	gG	IIa	20
30LR85	415 V a.c.	30	33 kA at 415 V a.c.	gG	IIb	20
40LR85	415 V a.c.	40	33 kA at 415 V a.c.	gG	IIb	20
50LR85	415 V a.c.	50	33 kA at 415 V a.c.	gG	IIb	20
60LR85	415 V a.c.	60	33 kA at 415 V a.c.	gG	IIb	20
80LR85	415 V a.c.	80	33 kA at 415 V a.c.	gG	IIb	20
100LR85	415 V a.c.	100	33 kA at 415 V a.c.	gG	IIb	20

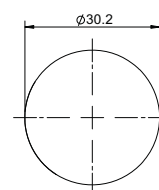
#### Dimensions - mm



KR85



LR85



Data sheet: 720114

## Modular house service cut-out

### Specifications

#### Description

Modular fuse holders to be used with our KR85 and LR85 range.

#### Technical data

Rated voltage: 240 and 415 V a.c.  
Rated current: 60 to 100 A

#### Standard/agency information

Made in accordance with BS 7657

### Product selection

#### 415 V a.c., 60/80 and 100 A

Catalogue numbers	Description	Rated voltage	Rated current (Amps)	Pack quantity	Compatible fuse links
6080SP	Single pole unit 60/80 A	240/415 V a.c.	60/80	10	KR85
100SP	Single pole unit 100 A	240/415 V a.c.	100	10	LR85
CNE-HS	Combined neutral and earth module	240/415 V a.c.	N/A	10	KR85 and LR85
SNE-HS	Separate neutral and earth module	240/415 V a.c.	N/A	10	KR85 and LR85



60/80SP



100SP



CNE



SNE

### Accessories

Catalogue numbers	Description	Pack quantity
SP-HS-COVER	Single pole crutch cover	10
TP-HS-COVER	Three pole crutch cover	10
SPBP-HS	Single pole base cover	10
TPBP-HS	Three pole base cover	10
TC-HS	Terminal connector	50
BUSBAR-HS	Busbar link	50
LTS-HS	Live terminal shroud	50
TOOL-HS	Cable plug extraction tool	1



SP-HS-COVER



SPBP-HS



TP-HS-COVER



TPBP-HS



TC-HS



BUSBAR-HS



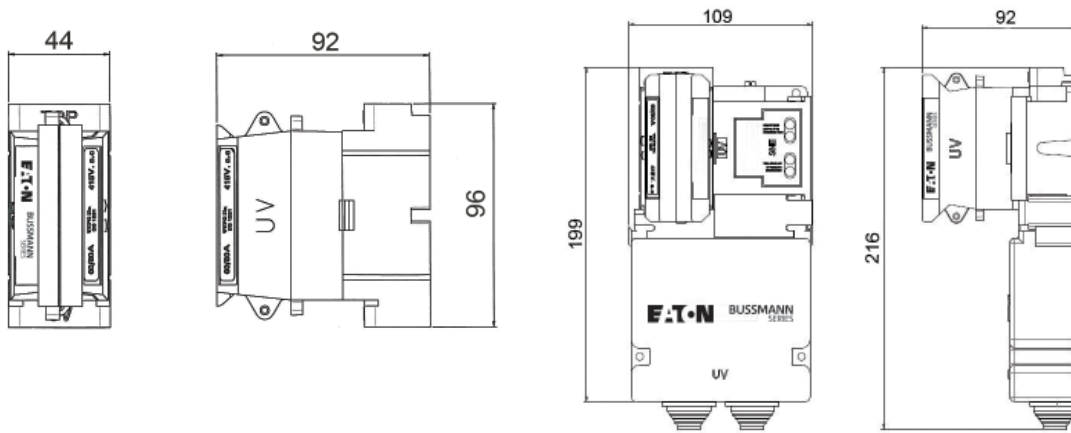
LTS-HS



TOOL-HS

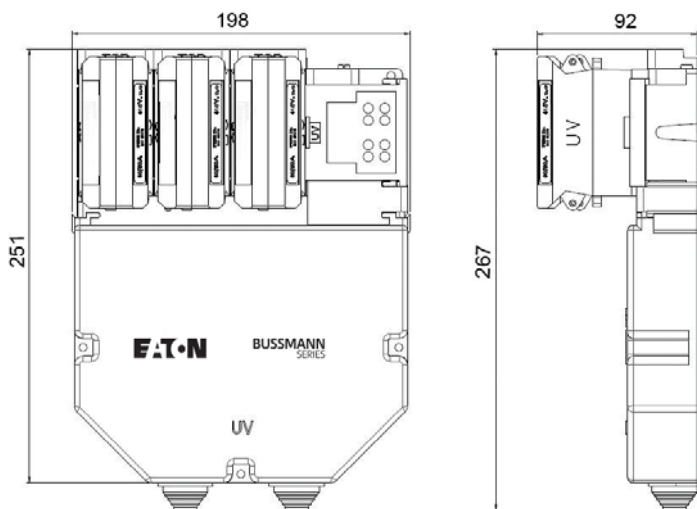
## Modular house service cut-out

### Dimensions - mm



Single-pole configuration

Single-pole and CNE or SNE configuration



Three-pole and CNE or SNE configuration

# Utility applications to BS88 - J Type fuse links part 5

## Cylindrical slotted and non slotted types fuse links

### Specifications

#### Description

Cylindrical type fuse links designed to be used with wedge type fuse carriers on BS applications. These fuse links will be used by Electrical Authorities in distribution pillars, open type substation boards, heavy duty cut-outs and underground connection boxes. Can also be fitted in pole or wall mounted outdoor service fuse links.

#### Technical data

Rated voltage: 415 V a.c.  
 Rated current: 20 to 800 A  
 Breaking capacity: 80 kA at 415 V a.c.

#### Standard/agency information

ASTA certified and tested to BS88 part 5

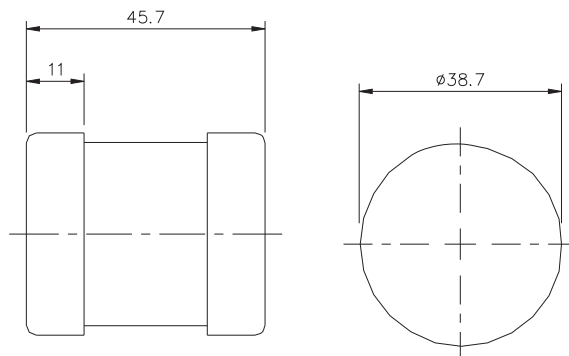
### Product selection

#### MJ25-6, Class gG, 415 V a.c., 20 to 250 A



Catalogue numbers	Rated voltage	Rated current (Amps)	Breaking capacity	Operating class	Pack quantity
20MJ25-6	415 V a.c.	20	80 kA at 415 V a.c.	gG	20
32MJ25-6	415 V a.c.	32	80 kA at 415 V a.c.	gG	20
40MJ25-6	415 V a.c.	40	80 kA at 415 V a.c.	gG	20
63MJ25-6	415 V a.c.	63	80 kA at 415 V a.c.	gG	20
80MJ25-6	415 V a.c.	80	80 kA at 415 V a.c.	gG	20
100MJ25-6	415 V a.c.	100	80 kA at 415 V a.c.	gG	20
125MJ25-6	415 V a.c.	125	80 kA at 415 V a.c.	gG	20
160MJ25-6	415 V a.c.	160	80 kA at 415 V a.c.	gG	20
200MJ25-6	415 V a.c.	200	80 kA at 415 V a.c.	gG	20
250MJ25-6	415 V a.c.	250	80 kA at 415 V a.c.	gG	20

#### Dimensions - mm



Data sheet: 4177

## Cylindrical slotted and non slotted types fuse links

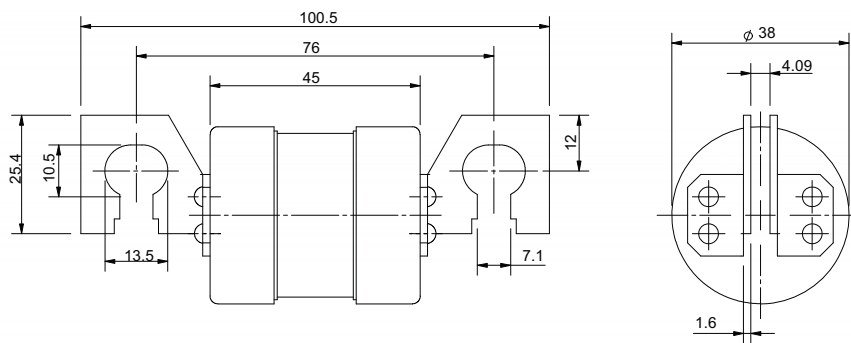
### Product selection



#### MJ29, Class gG, 415 V a.c., 20 to 250 A

Catalogue numbers	Rated voltage	Rated current (Amps)	Breaking capacity	Operating class	Fixing centre (mm)	Pack quantity
20MJ29-6	415 V a.c.	20	80 kA at 415 V a.c.	gG	76	10
32MJ29-6	415 V a.c.	32	80 kA at 415 V a.c.	gG	76	10
63MJ29-6	415 V a.c.	63	80 kA at 415 V a.c.	gG	76	10
80MJ29-6	415 V a.c.	80	80 kA at 415 V a.c.	gG	76	10
100MJ29-6	415 V a.c.	100	80 kA at 415 V a.c.	gG	76	10
160MJ29-6	415 V a.c.	160	80 kA at 415 V a.c.	gG	76	10
200MJ29-6	415 V a.c.	200	80 kA at 415 V a.c.	gG	76	10
250MJ29-6	415 V a.c.	250	80 kA at 415 V a.c.	gG	76	10

#### Dimensions - mm



Data sheets: E5785209 and E5779001

#### MJ30, Class gG, 415 V a.c., 32 to 315 A, cylindrical slotted type



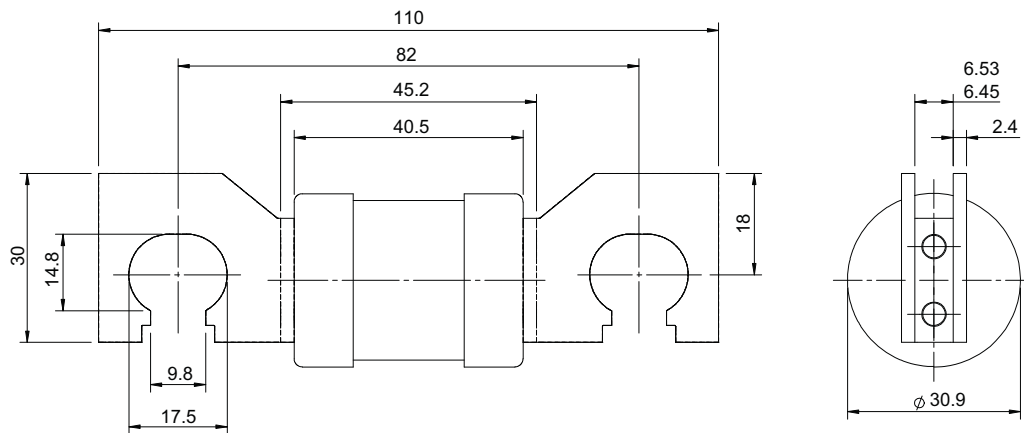
Catalogue numbers	Rated voltage	Rated current (Amps)	Breaking capacity	Operating class	Fixing centre (mm)	Pack quantity	Compatible fuse holder
32MJ30-8	415 V a.c.	32	80 kA at 415 V a.c.	gG	82	10	JW3
40MJ30-8	415 V a.c.	40	80 kA at 415 V a.c.	gG	82	10	JW3
50MJ30-8	415 V a.c.	50	80 kA at 415 V a.c.	gG	82	10	JW3
63MJ30-8	415 V a.c.	63	80 kA at 415 V a.c.	gG	82	10	JW3
80MJ30-7	415 V a.c.	80	80 kA at 415 V a.c.	gG	82	10	JW3
100MJ30-7	415 V a.c.	100	80 kA at 415 V a.c.	gG	82	10	JW3
125MJ30-7	415 V a.c.	125	80 kA at 415 V a.c.	gG	82	10	JW3
160MJ30-7	415 V a.c.	160	80 kA at 415 V a.c.	gG	82	10	JW3
200MJ30-7	415 V a.c.	200	80 kA at 415 V a.c.	gG	82	10	JW3
250MJ30-7	415 V a.c.	250	80 kA at 415 V a.c.	gG	82	5	JW3
315MJ30-7	415 V a.c.	315	80 kA at 415 V a.c.	gG	82	5	JW3

Data sheet: 4178B

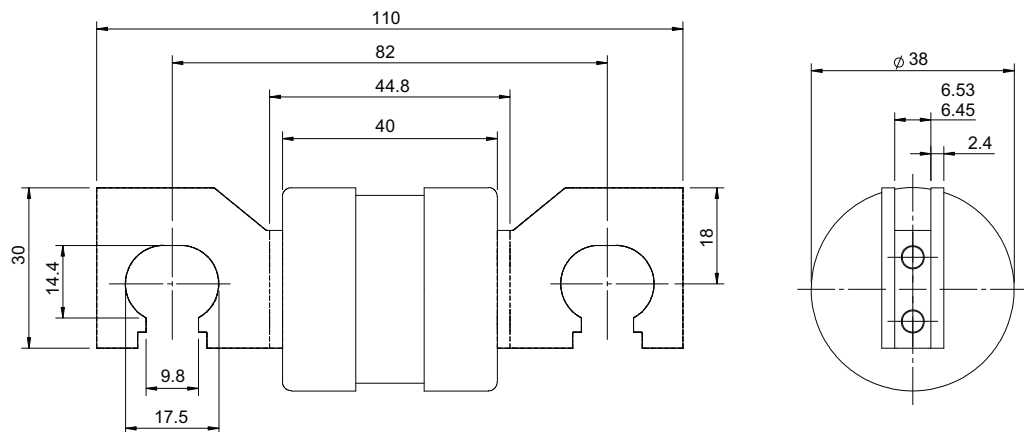
## Cylindrical slotted and non slotted types fuse links

### MJ30, Class gG, 415 V a.c., 32 to 315 A, cylindrical slotted type

#### Dimensions - mm



#### Up to 200 A



#### 250 and 315 A

Data sheet: 4178B

### MJ31, Class gG, 415 V a.c., 20 to 315 A



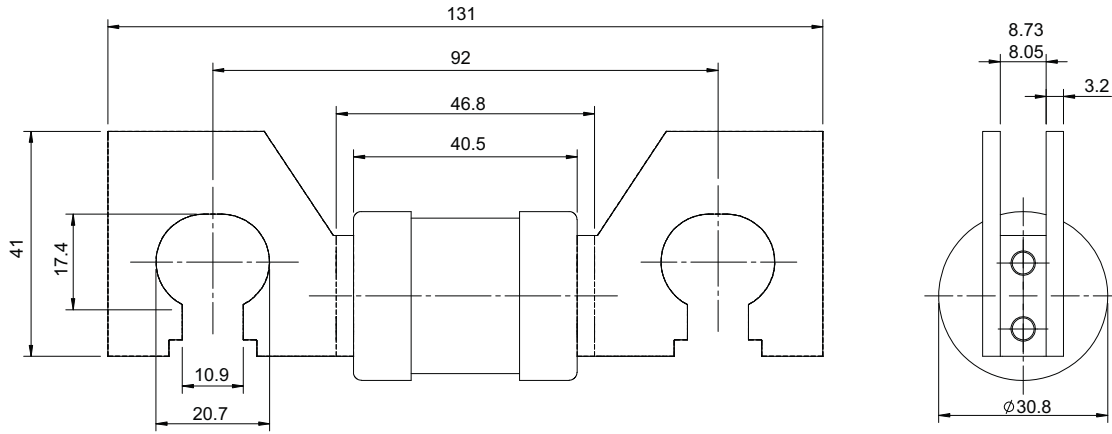
Catalogue numbers	Rated voltage	Rated current (Amps)	Breaking capacity	Operating class	Fixing centre (mm)	Pack quantity	Compatible fuse holder
20MJ31-8	415 V a.c.	20	80 kA at 415 V a.c.	gG	92	10	JW4
25MJ31-8	415 V a.c.	25	80 kA at 415 V a.c.	gG	92	10	JW4
32MJ31-8	415 V a.c.	32	80 kA at 415 V a.c.	gG	92	10	JW4
40MJ31-8	415 V a.c.	40	80 kA at 415 V a.c.	gG	92	10	JW4
50MJ31-8	415 V a.c.	50	80 kA at 415 V a.c.	gG	92	10	JW4
63MJ31-8	415 V a.c.	63	80 kA at 415 V a.c.	gG	92	10	JW4
80MJ31-7	415 V a.c.	80	80 kA at 415 V a.c.	gG	92	10	JW4
100MJ31-7	415 V a.c.	100	80 kA at 415 V a.c.	gG	92	10	JW4
125MJ31-7	415 V a.c.	125	80 kA at 415 V a.c.	gG	92	10	JW4
160MJ31-7	415 V a.c.	160	80 kA at 415 V a.c.	gG	92	10	JW4
200MJ31-7	415 V a.c.	200	80 kA at 415 V a.c.	gG	92	10	JW4
250MJ31-7	415 V a.c.	250	80 kA at 415 V a.c.	gG	92	10	JW4
315MJ31-7	415 V a.c.	315	80 kA at 415 V a.c.	gG	92	10	JW4

Data sheet: 4180

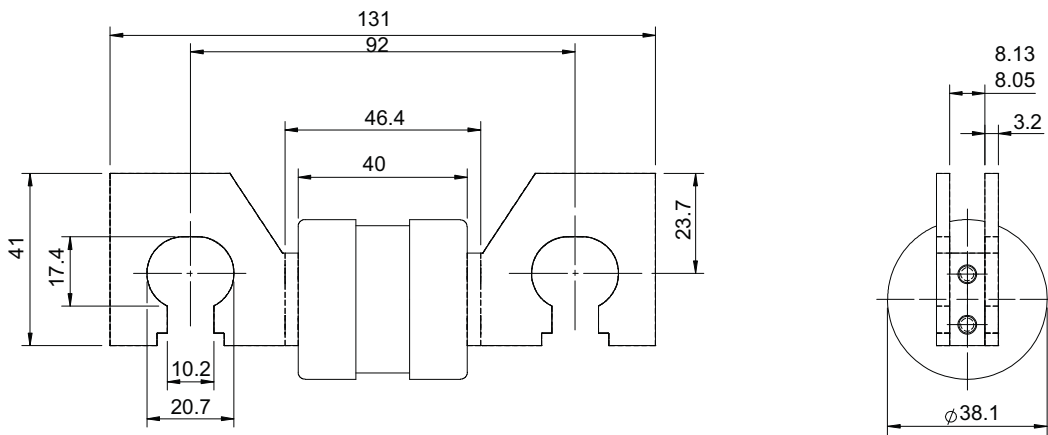
## Cylindrical slotted and non slotted types fuse links

**MJ31, Class gG, 415 V a.c., 20 to 315 A**

### Dimensions - mm



### Up to 200 A



### 250 and 315 A

Data sheet: 4180



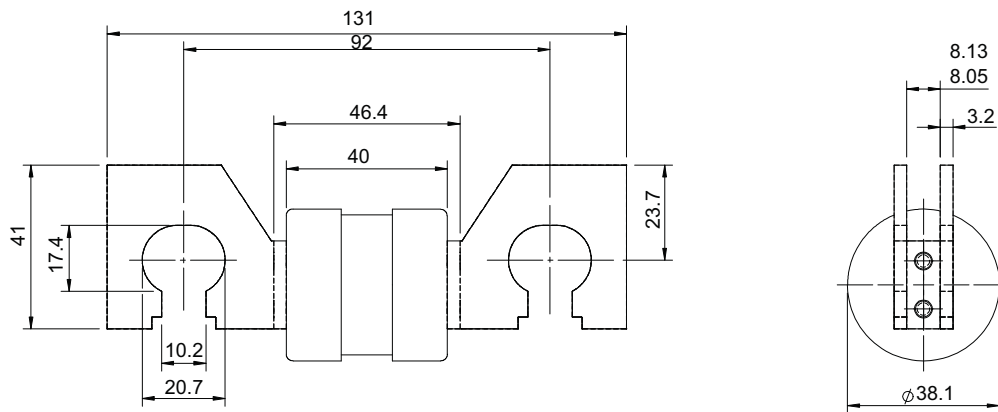
## Cylindrical slotted and non slotted types fuse links

### PJ31, Class gG, 415 V a.c., 355 and 400 A



Catalogue numbers	Rated voltage	Rated current (Amps)	Breaking capacity	Operating class	Fixing centre (mm)	Pack quantity	Compatible fuse holder
355PJ31-7	415 V a.c.	355	80 kA at 415 V a.c.	gG	92	10	JW3
400PJ31-7	415 V a.c.	400	80 kA at 415 V a.c.	gG	92	10	JW3

#### Dimensions - mm



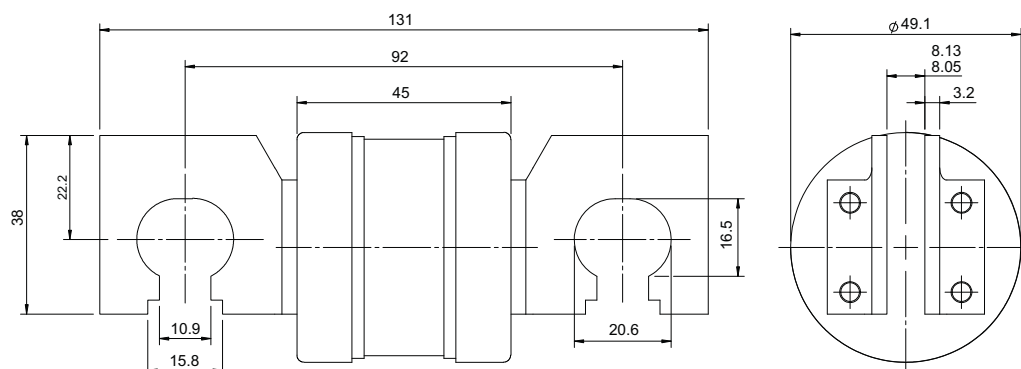
Data sheet: 4181

### RJ31, Class gG, 415 V a.c., 450 and 500 A



Catalogue numbers	Rated voltage	Rated current (Amps)	Breaking capacity	Operating class	Fixing centre (mm)	Pack quantity	Compatible fuse holder
450RJ31-7	415 V a.c.	450	80 kA at 415 V a.c.	gG	92	1	JW4
500RJ31-7	415 V a.c.	500	80 kA at 415 V a.c.	gG	92	1	JW4

#### Dimensions - mm



Data sheet: 4182

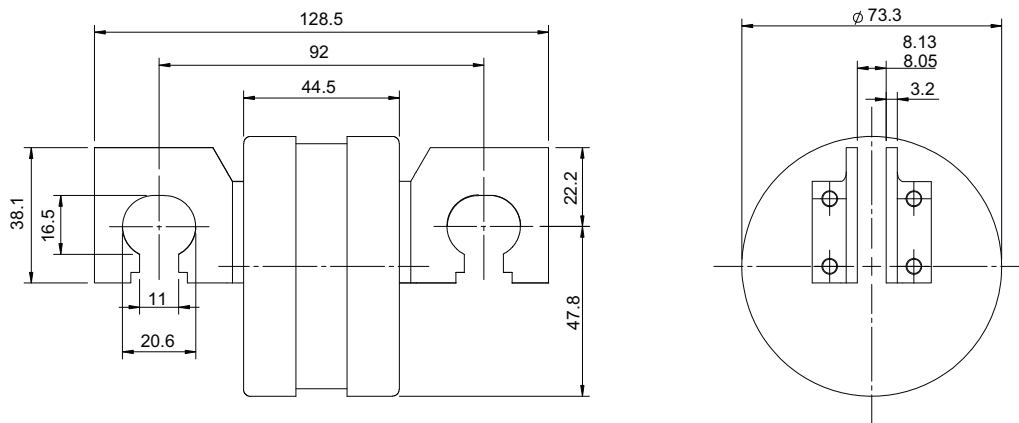
## Cylindrical slotted and non slotted types fuse links

### SJ31, Class gG, 415 V a.c., 560 and 630 A



Catalogue numbers	Rated voltage	Rated current (Amps)	Breaking capacity	Operating class	Fixing centre (mm)	Pack quantity	Compatible fuse holder
560SJ31-6	415 V a.c.	560	80 kA at 415 V a.c.	gG	92	10	JW4
630SJ31-6	415 V a.c.	630	80 kA at 415 V a.c.	gG	92	10	JW4

#### Dimensions - mm



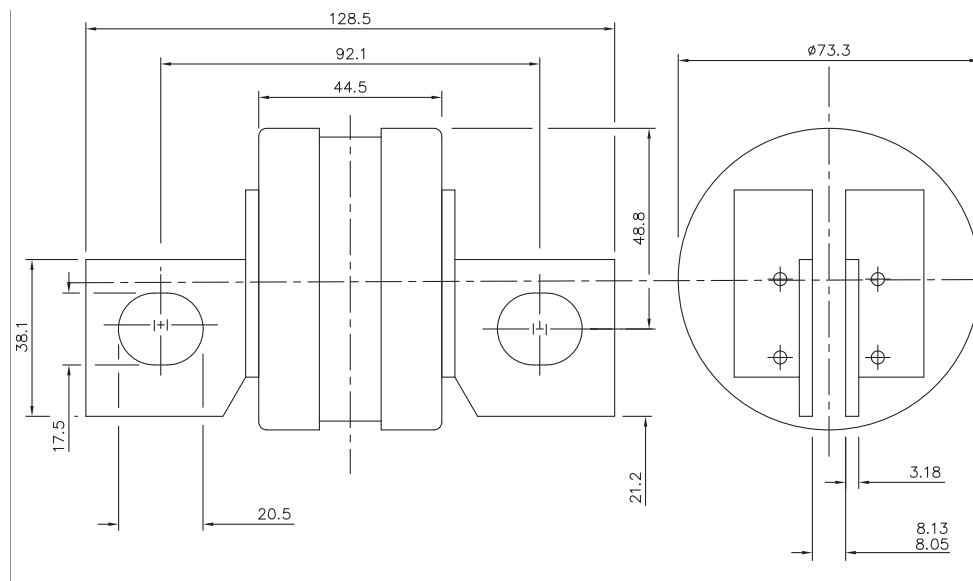
Data sheet: 4183

### SJ28, Class gG, 415 V a.c., 800 A



Catalogue numbers	Rated voltage	Rated current (Amps)	Breaking capacity	Operating class	Fixing centre (mm)	Pack quantity	Compatible fuse holder
800SJ28	415 V a.c.	800	80 kA at 415 V a.c.	gG	92	1	JW4

#### Dimensions - mm



Data sheet: 4184

# Cylindrical industrial fuse links

## Class gG, sizes 8 x 31, 10 x 38, 14 x 51 and 22 x 58 mm fuse links

### Specifications

#### Description

Cylindrical fuse links for industrial applications, class gG.  
Available with indicator or striker.

#### Technical data

Rated voltage: up to 690 V a.c., see tables for details  
Rated current: 0.5 to 125 A, see tables for details  
Breaking capacity: up to 120 kA, see tables for details

#### Standard/agency information

IEC 60269

### Product selection

#### 8 x 31 mm, Class gG, 400 V a.c., 0.5 to 20 A, without indicator



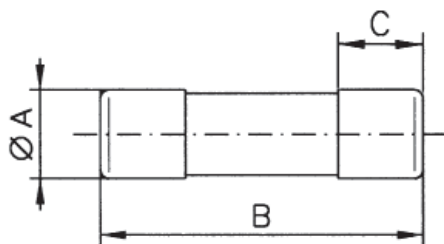
Catalogue numbers	Rated voltage	Rated current (Amps)	Breaking capacity	Operating class	Pack quantity
C08G0-5	400 V a.c.	0.5	20 kA at 400 V a.c.	gG	10
C08G1	400 V a.c.	1	20 kA at 400 V a.c.	gG	10
C08G2	400 V a.c.	2	20 kA at 400 V a.c.	gG	10
C08G4	400 V a.c.	4	20 kA at 400 V a.c.	gG	10
C08G6	400 V a.c.	6	20 kA at 400 V a.c.	gG	10
C08G8	400 V a.c.	8	20 kA at 400 V a.c.	gG	10
C08G10	400 V a.c.	10	20 kA at 400 V a.c.	gG	10
C08G12	400 V a.c.	12	20 kA at 400 V a.c.	gG	10
C08G16	400 V a.c.	16	20 kA at 400 V a.c.	gG	10
C08G20	400 V a.c.	20	20 kA at 400 V a.c.	gG	10

#### 8 x 31 mm, Class gG, 400 V a.c., 2 to 20 A, with indicator



Catalogue numbers	Rated voltage	Rated current (Amps)	Breaking capacity	Operating class	Pack quantity
C08G2I	400 V a.c.	2	20 kA at 400 V a.c.	gG	10
C08G4I	400 V a.c.	4	20 kA at 400 V a.c.	gG	10
C08G6I	400 V a.c.	6	20 kA at 400 V a.c.	gG	10
C08G8I	400 V a.c.	8	20 kA at 400 V a.c.	gG	10
C08G10I	400 V a.c.	10	20 kA at 400 V a.c.	gG	10
C08G12I	400 V a.c.	12	20 kA at 400 V a.c.	gG	10
C08G16I	400 V a.c.	16	20 kA at 400 V a.c.	gG	10
C08G20I	400 V a.c.	20	20 kA at 400 V a.c.	gG	10

### Dimensions - mm



Catalogue numbers	A	B	C
C08G	8	31.5	6.3

Data sheet: 720115

## Class gG, sizes 8 x 31, 10 x 38, 14 x 51 and 22 x 58 mm fuse links

### 10 x 38 mm, Class gG, 500 and 400 V a.c., 0.5 to 32 A, without indicator



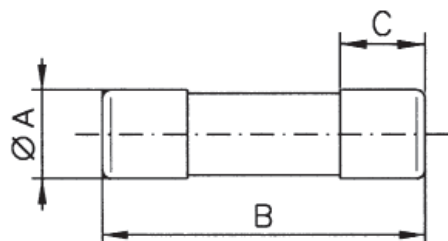
Catalogue numbers	Rated voltage	Rated current (Amps)	Breaking capacity	Operating class	Pack quantity	Compatible fuse holder
C10G0-5	500 V a.c.	0.5	120 kA at 500 V a.c.	gG	10	CHM range see page 91
C10G1	500 V a.c.	1	120 kA at 500 V a.c.	gG	10	
C10G2	500 V a.c.	2	120 kA at 500 V a.c.	gG	10	
C10G4	500 V a.c.	4	120 kA at 500 V a.c.	gG	10	
C10G6	500 V a.c.	6	120 kA at 500 V a.c.	gG	10	
C10G8	500 V a.c.	8	120 kA at 500 V a.c.	gG	10	
C10G10	500 V a.c.	10	120 kA at 500 V a.c.	gG	10	
C10G12	500 V a.c.	12	120 kA at 500 V a.c.	gG	10	
C10G16	500 V a.c.	16	120 kA at 500 V a.c.	gG	10	
C10G20	500 V a.c.	20	120 kA at 500 V a.c.	gG	10	
C10G25	500 V a.c.	25	120 kA at 500 V a.c.	gG	10	
C10G32	400 V a.c.	32	120 kA at 400 V a.c.	gG	10	

### 10 x 38 mm, Class gG, 500 and 400 V a.c., 1 to 50 A, with indicator



Catalogue numbers	Rated voltage	Rated current (Amps)	Breaking capacity	Operating class	Pack quantity	Compatible fuse holder
C10G1I	500 V a.c.	1	120 kA at 500 V a.c.	gG	10	CHM range see page 91
C10G2I	500 V a.c.	2	120 kA at 500 V a.c.	gG	10	
C10G4I	500 V a.c.	4	120 kA at 500 V a.c.	gG	10	
C10G6I	500 V a.c.	6	120 kA at 500 V a.c.	gG	10	
C10G8I	500 V a.c.	8	120 kA at 500 V a.c.	gG	10	
C10G10I	500 V a.c.	10	120 kA at 500 V a.c.	gG	10	
C10G12I	500 V a.c.	12	120 kA at 500 V a.c.	gG	10	
C10G16I	500 V a.c.	16	120 kA at 500 V a.c.	gG	10	
C10G20I	500 V a.c.	20	120 kA at 500 V a.c.	gG	10	
C10G25I	500 V a.c.	25	120 kA at 500 V a.c.	gG	10	
C10G32I	500 V a.c.	32	120 kA at 500 V a.c.	gG	10	
C10G40I	500 V a.c.	40	120 kA at 500 V a.c.	gG	10	
C10G50I	400 V a.c.	50	120 kA at 400 V a.c.	gG	10	

### Dimensions - mm



Catalogue numbers	A	B	C
C10G	10	38	10

Data sheet: 720115

## Class gG, sizes 8 x 31, 10 x 38, 14 x 51 and 22 x 58 mm fuse links

### 14 x 51 mm, Class gG, 400, 500 and 690 V a.c., 1 to 50 A, without indicator



Catalogue numbers	Rated voltage	Rated current (Amps)	Breaking capacity	Operating class	Pack quantity	Compatible fuse holder
C14G1	690 V a.c.	1	80 kA at 690 V a.c.	gG	10	CH14 range see page 92
C14G2	690 V a.c.	2	80 kA at 690 V a.c.	gG	10	
C14G4	690 V a.c.	4	80 kA at 690 V a.c.	gG	10	
C14G6	690 V a.c.	6	80 kA at 690 V a.c.	gG	10	
C14G8	690 V a.c.	8	80 kA at 690 V a.c.	gG	10	
C14G10	690 V a.c.	10	80 kA at 690 V a.c.	gG	10	
C14G12	690 V a.c.	12	80 kA at 690 V a.c.	gG	10	
C14G16	690 V a.c.	16	80 kA at 690 V a.c.	gG	10	
C14G20	690 V a.c.	20	80 kA at 690 V a.c.	gG	10	
C14G25	690 V a.c.	25	80 kA at 690 V a.c.	gG	10	
C14G32	500 V a.c.	32	120 kA at 500 V a.c.	gG	10	
C14G40	500 V a.c.	40	120 kA at 500 V a.c.	gG	10	
C14G50	400 V a.c.	50	120 kA at 400 V a.c.	gG	10	

### 14 x 51 mm, Class gG, 400, 500 and 690 V a.c., 1 to 50 A, with indicator



Catalogue numbers	Rated voltage	Rated current (Amps)	Breaking capacity	Operating class	Pack quantity	Compatible fuse holder
C14G1I	690 V a.c.	1	80 kA at 690 V a.c.	gG	10	CH14 range see page 92
C14G2I	690 V a.c.	2	80 kA at 690 V a.c.	gG	10	
C14G4I	690 V a.c.	4	80 kA at 690 V a.c.	gG	10	
C14G6I	690 V a.c.	6	80 kA at 690 V a.c.	gG	10	
C14G8I	690 V a.c.	8	80 kA at 690 V a.c.	gG	10	
C14G10I	690 V a.c.	10	80 kA at 690 V a.c.	gG	10	
C14G12I	690 V a.c.	12	80 kA at 690 V a.c.	gG	10	
C14G16I	690 V a.c.	16	80 kA at 690 V a.c.	gG	10	
C14G20I	690 V a.c.	20	80 kA at 690 V a.c.	gG	10	
C14G25I	690 V a.c.	25	80 kA at 690 V a.c.	gG	10	
C14G32I	500 V a.c.	32	120 kA at 500 V a.c.	gG	10	
C14G40I	500 V a.c.	40	120 kA at 500 V a.c.	gG	10	
C14G50I	400 V a.c.	50	120 kA at 400 V a.c.	gG	10	

### 14 x 51 mm, Class gG, 500 and 400 V a.c., 2 to 50 A, with striker



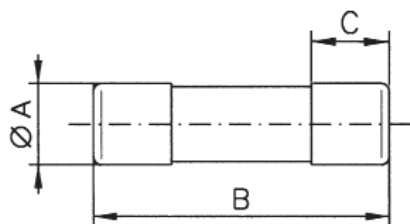
Catalogue numbers	Rated voltage	Rated current (Amps)	Breaking capacity	Operating class	Pack quantity	Compatible fuse holder
C14G2S	500 V a.c.	2	120 kA at 500 V a.c.	gG	10	CH14 range see page 92
C14G4S	500 V a.c.	4	120 kA at 500 V a.c.	gG	10	
C14G6S	500 V a.c.	6	120 kA at 500 V a.c.	gG	10	
C14G8S	500 V a.c.	8	120 kA at 500 V a.c.	gG	10	
C14G10S	500 V a.c.	10	120 kA at 500 V a.c.	gG	10	
C14G12S	500 V a.c.	12	120 kA at 500 V a.c.	gG	10	
C14G16S	500 V a.c.	16	120 kA at 500 V a.c.	gG	10	
C14G20S	500 V a.c.	20	120 kA at 500 V a.c.	gG	10	
C14G25S	500 V a.c.	25	120 kA at 500 V a.c.	gG	10	
C14G32S	500 V a.c.	32	120 kA at 500 V a.c.	gG	10	
C14G40S	500 V a.c.	40	120 kA at 500 V a.c.	gG	10	
C14G50S	400 V a.c.	50	120 kA at 400 V a.c.	gG	10	

Data sheet: 720115

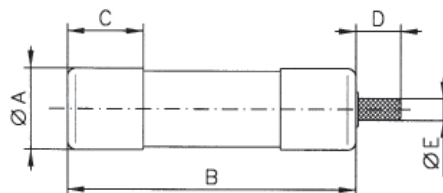
## Class gG, sizes 8 x 31, 10 x 38, 14 x 51 and 22 x 58 mm fuse links

### 14 x 51 mm, Class gG, 500 and 400 V a.c., 1 to 50 A

#### Dimensions - mm



Catalogue numbers	A	B	C
C14G	14.3	51	13



Catalogue numbers	A	B	C	D	E
C14G with striker	14.3	51	13	8	4

### 22 x 58 mm, Class gG, 400, 500 and 690 V a.c., 2 to 125 A, without indicator



Catalogue numbers	Rated voltage	Rated current (Amps)	Breaking capacity	Operating class	Pack quantity	Compatible fuse holder
C22G2	690 V a.c.	2	80 kA at 690 V a.c.	gG	10	CH22 range see page 94
C22G4	690 V a.c.	4	80 kA at 690 V a.c.	gG	10	
C22G6	690 V a.c.	6	80 kA at 690 V a.c.	gG	10	
C22G8	690 V a.c.	8	80 kA at 690 V a.c.	gG	10	
C22G10	690 V a.c.	10	80 kA at 690 V a.c.	gG	10	
C22G12	690 V a.c.	12	80 kA at 690 V a.c.	gG	10	
C22G16	690 V a.c.	16	80 kA at 690 V a.c.	gG	10	
C22G20	690 V a.c.	20	80 kA at 690 V a.c.	gG	10	
C22G25	690 V a.c.	25	80 kA at 690 V a.c.	gG	10	
C22G32	690 V a.c.	32	80 kA at 690 V a.c.	gG	10	
C22G40	690 V a.c.	40	80 kA at 690 V a.c.	gG	10	
C22G50	690 V a.c.	50	80 kA at 690 V a.c.	gG	10	
C22G63	690 V a.c.	63	80 kA at 690 V a.c.	gG	10	
C22G80	500 V a.c.	80	120 kA at 500 V a.c.	gG	10	
C22G100	500 V a.c.	100	120 kA at 500 V a.c.	gG	10	
C22G125	400 V a.c.	125	120 kA at 400 V a.c.	gG	10	

### 22 x 58 mm, Class gG, 400, 500 and 690 V a.c., 2 to 125 A, with indicator



Catalogue numbers	Rated voltage	Rated current (Amps)	Breaking capacity	Operating class	Pack quantity	Compatible fuse holder
C22G2I	690 V a.c.	2	80 kA at 690 V a.c.	gG	10	CH22 range see page 94
C22G4I	690 V a.c.	4	80 kA at 690 V a.c.	gG	10	
C22G6I	690 V a.c.	6	80 kA at 690 V a.c.	gG	10	
C22G8I	690 V a.c.	8	80 kA at 690 V a.c.	gG	10	
C22G10I	690 V a.c.	10	80 kA at 690 V a.c.	gG	10	
C22G12I	690 V a.c.	12	80 kA at 690 V a.c.	gG	10	
C22G16I	690 V a.c.	16	80 kA at 690 V a.c.	gG	10	
C22G20I	690 V a.c.	20	80 kA at 690 V a.c.	gG	10	
C22G25I	690 V a.c.	25	80 kA at 690 V a.c.	gG	10	
C22G32I	690 V a.c.	32	80 kA at 690 V a.c.	gG	10	
C22G40I	690 V a.c.	40	80 kA at 690 V a.c.	gG	10	
C22G50I	690 V a.c.	50	80 kA at 690 V a.c.	gG	10	
C22G63I	690 V a.c.	63	80 kA at 690 V a.c.	gG	10	
C22G80I	500 V a.c.	80	120 kA at 500 V a.c.	gG	10	
C22G100I	500 V a.c.	100	120 kA at 500 V a.c.	gG	10	
C22G125I	400 V a.c.	125	120 kA at 400 V a.c.	gG	10	

Data sheet: 720115

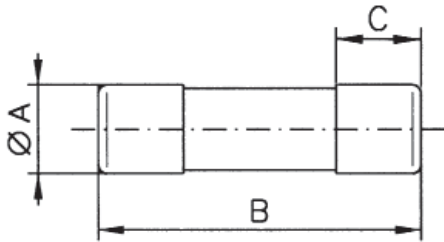
## Class gG, sizes 8 x 31, 10 x 38, 14 x 51 and 22 x 58 mm fuse links

22 x 58 mm, Class gG, 400, 500 and 690 V a.c., 4 to 125 A, with striker

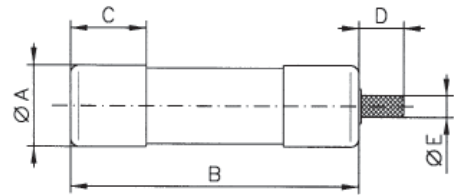


Catalogue numbers	Rated voltage	Rated current (Amps)	Breaking capacity	Operating class	Pack quantity	Compatible fuse holder
C22G4S	690 V a.c.	4	80 kA at 690 V a.c.	gG	10	CH22 range see page 94
C22G6S	690 V a.c.	6	80 kA at 690 V a.c.	gG	10	
C22G8S	690 V a.c.	8	80 kA at 690 V a.c.	gG	10	
C22G10S	690 V a.c.	10	80 kA at 690 V a.c.	gG	10	
C22G12S	690 V a.c.	12	80 kA at 690 V a.c.	gG	10	
C22G16S	690 V a.c.	16	80 kA at 690 V a.c.	gG	10	
C22G20S	690 V a.c.	20	80 kA at 690 V a.c.	gG	10	
C22G25S	690 V a.c.	25	80 kA at 690 V a.c.	gG	10	
C22G32S	690 V a.c.	32	80 kA at 690 V a.c.	gG	10	
C22G40S	690 V a.c.	40	80 kA at 690 V a.c.	gG	10	
C22G50S	690 V a.c.	50	80 kA at 690 V a.c.	gG	10	
C22G63S	690 V a.c.	63	80 kA at 690 V a.c.	gG	10	
C22G80S	500 V a.c.	80	120 kA at 500 V a.c.	gG	10	
C22G100S	500 V a.c.	100	120 kA at 500 V a.c.	gG	10	
C22G125S	400 V a.c.	125	120 kA at 400 V a.c.	gG	10	

### Dimensions - mm



Catalogue numbers	A	B	C
C22G	22	58	16



Catalogue numbers	A	B	C	D	E
C22G with striker	22	58	16	8	4

Data sheet: 720115

## Class aM, sizes 8 x 31, 10 x 38, 14 x 51 and 22 x 58 mm fuse links

### Specifications

#### Description

Cylindrical fuse links for industrial applications, class aM (Motor protection). Available with indicator.

#### Technical data

Rated voltage: up to 690 V a.c., see tables for details

Rated current: 1 to 125 A, see tables for details

Breaking capacity: up to 120 kA., see tables for details

#### Standard/agency information

IEC 60269

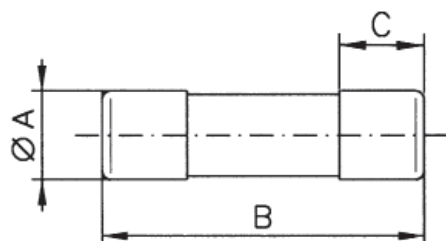
### Product selection

#### 8 x 31 mm, Class aM, 400 V a.c., 1 to 8 A, without indicator



Catalogue numbers	Rated voltage	Rated current (Amps)	Breaking capacity	Operating class	Pack quantity
C08M1	400 V a.c.	1	20 kA at 400 V a.c.	aM	10
C08M2	400 V a.c.	2	20 kA at 400 V a.c.	aM	10
C08M4	400 V a.c.	4	20 kA at 400 V a.c.	aM	10
C08M6	400 V a.c.	6	20 kA at 400 V a.c.	aM	10
C08M8	400 V a.c.	8	20 kA at 400 V a.c.	aM	10

#### Dimensions - mm



Catalogue numbers	A	B	C
C08M	8	31.5	6.3

#### 10 x 38 mm, Class aM, 500 and 400 V a.c., 0.25 to 25 A, without indicator



Catalogue numbers	Rated voltage	Rated current (Amps)	Breaking capacity	Operating class	Pack quantity	Compatible fuse holder
C10M0-25	500 V a.c.	0.25	120 kA at 500 V a.c.	aM	10	CHM range see page 91
C10M0-5	500 V a.c.	0.5	120 kA at 500 V a.c.	aM	10	
C10M1	500 V a.c.	1	120 kA at 500 V a.c.	aM	10	
C10M2	500 V a.c.	2	120 kA at 500 V a.c.	aM	10	
C10M4	500 V a.c.	4	120 kA at 500 V a.c.	aM	10	
C10M6	500 V a.c.	6	120 kA at 500 V a.c.	aM	10	
C10M8	500 V a.c.	8	120 kA at 500 V a.c.	aM	10	
C10M10	500 V a.c.	10	120 kA at 500 V a.c.	aM	10	
C10M12	500 V a.c.	12	120 kA at 500 V a.c.	aM	10	
C10M16	500 V a.c.	16	120 kA at 500 V a.c.	aM	10	
C10M20	400 V a.c.	20	120 kA at 400 V a.c.	aM	10	
C10M25	400 V a.c.	25	120 kA at 400 V a.c.	aM	10	

Data sheet: 720115



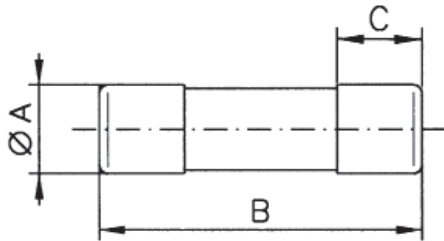
## Class aM, sizes 8 x 31, 10 x 38, 14 x 51 and 22 x 58 mm fuse links

### 10 x 38 mm, Class aM, 500 and 400 V a.c., 1 to 25 A, with indicator



Catalogue numbers	Rated voltage	Rated current (Amps)	Breaking capacity	Operating class	Pack quantity	Compatible fuse holder
C10M11	500 V a.c.	1	120 kA at 500 V a.c.	aM	10	CHM range see page 91
C10M21	500 V a.c.	2	120 kA at 500 V a.c.	aM	10	
C10M41	500 V a.c.	4	120 kA at 500 V a.c.	aM	10	
C10M61	500 V a.c.	6	120 kA at 500 V a.c.	aM	10	
C10M81	500 V a.c.	8	120 kA at 500 V a.c.	aM	10	
C10M101	500 V a.c.	10	120 kA at 500 V a.c.	aM	10	
C10M121	500 V a.c.	12	120 kA at 500 V a.c.	aM	10	
C10M161	500 V a.c.	16	120 kA at 500 V a.c.	aM	10	
C10M201	400 V a.c.	20	120 kA at 400 V a.c.	aM	10	
C10M251	400 V a.c.	25	120 kA at 400 V a.c.	aM	10	

#### Dimensions - mm



Catalogue numbers	A	B	C
C10M	10	38	10

### 14 x 51 mm, Class aM, 400, 500 and 690 V a.c., 0.25 to 50 A, without indicator



Catalogue numbers	Rated voltage	Rated current (Amps)	Breaking capacity	Operating class	Pack quantity	Compatible fuse holder
C14M0-25	690 V a.c.	0.25	120 kA at 690 V a.c.	aM	10	CH14 range see page 92
C14M0.5	690 V a.c.	0.5	120 kA at 690 V a.c.	aM	10	
C14M1	690 V a.c.	1	80 kA at 690 V a.c.	aM	10	
C14M2	690 V a.c.	2	80 kA at 690 V a.c.	aM	10	
C14M4	690 V a.c.	4	80 kA at 690 V a.c.	aM	10	
C14M6	690 V a.c.	6	80 kA at 690 V a.c.	aM	10	
C14M8	690 V a.c.	8	80 kA at 690 V a.c.	aM	10	
C14M10	690 V a.c.	10	80 kA at 690 V a.c.	aM	10	
C14M12	690 V a.c.	12	80 kA at 690 V a.c.	aM	10	
C14M16	690 V a.c.	16	80 kA at 690 V a.c.	aM	10	
C14M20	690 V a.c.	20	80 kA at 690 V a.c.	aM	10	
C14M25	690 V a.c.	25	80 kA at 690 V a.c.	aM	10	
C14M32	500 V a.c.	32	120 kA at 500 V a.c.	aM	10	
C14M40	500 V a.c.	40	120 kA at 500 V a.c.	aM	10	
C14M50	400 V a.c.	50	120 kA at 400 V a.c.	aM	10	

Data sheet: 720115

## Class aM, sizes 8 x 31, 10 x 38, 14 x 51 and 22 x 58 mm fuse links

### 14 x 51 mm, Class aM, 400, 500 and 690 V a.c., 1 to 50 A, with indicator



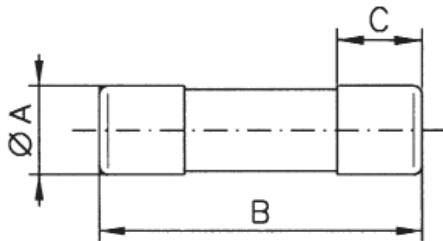
Catalogue numbers	Rated voltage	Rated current (Amps)	Breaking capacity	Operating class	Pack quantity	Compatible fuse holder
C14M1I	690 V a.c.	1	80 kA at 690 V a.c.	aM	10	CH14 range see page 92
C14M2I	690 V a.c.	2	80 kA at 690 V a.c.	aM	10	
C14M4I	690 V a.c.	4	80 kA at 690 V a.c.	aM	10	
C14M6I	690 V a.c.	6	80 kA at 690 V a.c.	aM	10	
C14M8I	690 V a.c.	8	80 kA at 690 V a.c.	aM	10	
C14M10I	690 V a.c.	10	80 kA at 690 V a.c.	aM	10	
C14M12I	690 V a.c.	12	80 kA at 690 V a.c.	aM	10	
C14M16I	690 V a.c.	16	80 kA at 690 V a.c.	aM	10	
C14M20I	690 V a.c.	20	80 kA at 690 V a.c.	aM	10	
C14M25I	690 V a.c.	25	80 kA at 690 V a.c.	aM	10	
C14M32I	500 V a.c.	32	120 kA at 500 V a.c.	aM	10	
C14M40I	500 V a.c.	40	120 kA at 500 V a.c.	aM	10	
C14M50I	400 V a.c.	50	120 kA at 400 V a.c.	aM	10	

### 14 x 51 mm, Class aM, 400 and 500 V a.c., 2 to 50 A, with striker

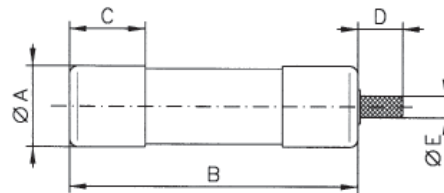


Catalogue numbers	Rated voltage	Rated current (Amps)	Breaking capacity	Operating class	Pack quantity	Compatible fuse holder
C14M2S	500 V a.c.	2	120 kA at 500 V a.c.	aM	10	CH14 range see page 92
C14M4S	500 V a.c.	4	120 kA at 500 V a.c.	aM	10	
C14M6S	500 V a.c.	6	120 kA at 500 V a.c.	aM	10	
C14M8S	500 V a.c.	8	120 kA at 500 V a.c.	aM	10	
C14M10S	500 V a.c.	10	120 kA at 500 V a.c.	aM	10	
C14M12S	500 V a.c.	12	120 kA at 500 V a.c.	aM	10	
C14M16S	500 V a.c.	16	120 kA at 500 V a.c.	aM	10	
C14M20S	500 V a.c.	20	120 kA at 500 V a.c.	aM	10	
C14M25S	500 V a.c.	25	120 kA at 500 V a.c.	aM	10	
C14M32S	500 V a.c.	32	120 kA at 500 V a.c.	aM	10	
C14M40S	500 V a.c.	40	120 kA at 500 V a.c.	aM	10	
C14M50S	400 V a.c.	50	120 kA at 400 V a.c.	aM	10	

### Dimensions - mm



Catalogue numbers	A	B	C
C14M	14.3	51	13



Catalogue numbers	A	B	C	D	E
C14M with striker	14.3	51	13	8	4

Data sheet: 720115

## Class aM, sizes 8 x 31, 10 x 38, 14 x 51 and 22 x 58 mm fuse links

### 22 x 58 mm, Class aM, 400, 500 and 690 V a.c., 2 to 125 A, without indicator



Catalogue numbers	Rated voltage	Rated current (Amps)	Breaking capacity	Operating class	Pack quantity	Compatible fuse holder
C22M2	690 V a.c.	2	80 kA at 690 V a.c.	aM	10	CH22 range see page 94
C22M4	690 V a.c.	4	80 kA at 690 V a.c.	aM	10	
C22M6	690 V a.c.	6	80 kA at 690 V a.c.	aM	10	
C22M8	690 V a.c.	8	80 kA at 690 V a.c.	aM	10	
C22M10	690 V a.c.	10	80 kA at 690 V a.c.	aM	10	
C22M12	690 V a.c.	12	80 kA at 690 V a.c.	aM	10	
C22M16	690 V a.c.	16	80 kA at 690 V a.c.	aM	10	
C22M20	690 V a.c.	20	80 kA at 690 V a.c.	aM	10	
C22M25	690 V a.c.	25	80 kA at 690 V a.c.	aM	10	
C22M32	690 V a.c.	32	80 kA at 690 V a.c.	aM	10	
C22M40	690 V a.c.	40	80 kA at 690 V a.c.	aM	10	
C22M50	690 V a.c.	50	80 kA at 690 V a.c.	aM	10	
C22M63	690 V a.c.	63	80 kA at 690 V a.c.	aM	10	
C22M80	500 V a.c.	80	120 kA at 500 V a.c.	aM	10	
C22M100	500 V a.c.	100	120 kA at 500 V a.c.	aM	10	
C22M125	400 V a.c.	125	120 kA at 400 V a.c.	aM	10	

### 22 x 58 mm, Class aM, 400, 500 and 690 V a.c., 2 to 125 A, with indicator



Catalogue numbers	Rated voltage	Rated current (Amps)	Breaking capacity	Operating class	Pack quantity	Compatible fuse holder
C22M2I	690 V a.c.	2	80 kA at 690 V a.c.	aM	10	CH22 range see page 94
C22M4I	690 V a.c.	4	80 kA at 690 V a.c.	aM	10	
C22M6I	690 V a.c.	6	80 kA at 690 V a.c.	aM	10	
C22M8I	690 V a.c.	8	80 kA at 690 V a.c.	aM	10	
C22M10I	690 V a.c.	10	80 kA at 690 V a.c.	aM	10	
C22M12I	690 V a.c.	12	80 kA at 690 V a.c.	aM	10	
C22M16I	690 V a.c.	16	80 kA at 690 V a.c.	aM	10	
C22M20I	690 V a.c.	20	80 kA at 690 V a.c.	aM	10	
C22M25I	690 V a.c.	25	80 kA at 690 V a.c.	aM	10	
C22M32I	690 V a.c.	32	80 kA at 690 V a.c.	aM	10	
C22M40I	690 V a.c.	40	80 kA at 690 V a.c.	aM	10	
C22M50I	690 V a.c.	50	80 kA at 690 V a.c.	aM	10	
C22M63I	690 V a.c.	63	80 kA at 690 V a.c.	aM	10	
C22M80I	500 V a.c.	80	120 kA at 500 V a.c.	aM	10	
C22M100I	500 V a.c.	100	120 kA at 500 V a.c.	aM	10	
C22M125I	400 V a.c.	125	120 kA at 400 V a.c.	aM	10	

### 22 x 58 mm, Class aM, 400, 500 and 690 V a.c., 12 to 125 A, with striker



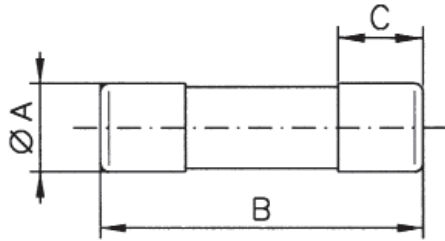
Catalogue numbers	Rated voltage	Rated current (Amps)	Breaking capacity	Operating class	Pack quantity	Compatible fuse holder
C22M12S	690 V a.c.	12	80 kA at 690 V a.c.	aM	10	CH22 range see page 94
C22M16S	690 V a.c.	16	80 kA at 690 V a.c.	aM	10	
C22M20S	690 V a.c.	20	80 kA at 690 V a.c.	aM	10	
C22M25S	690 V a.c.	25	80 kA at 690 V a.c.	aM	10	
C22M32S	690 V a.c.	32	80 kA at 690 V a.c.	aM	10	
C22M40S	690 V a.c.	40	80 kA at 690 V a.c.	aM	10	
C22M50S	690 V a.c.	50	80 kA at 690 V a.c.	aM	10	
C22M63S	690 V a.c.	63	80 kA at 690 V a.c.	aM	10	
C22M80S	500 V a.c.	80	120 kA at 500 V a.c.	aM	10	
C22M100S	500 V a.c.	100	120 kA at 500 V a.c.	aM	10	
C22M125S	400 V a.c.	125	120 kA at 400 V a.c.	aM	10	

Data sheet: 720115

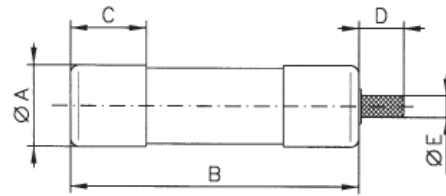
## Class aM, sizes 8 x 31, 10 x 38, 14 x 51 and 22 x 58 mm fuse links

**22 x 58 mm, Class aM, 400, 500 and 690 V a.c., 2 to 125 A**

### Dimensions - mm



Catalogue numbers	A	B	C
C22M	22	58	16



Catalogue numbers	A	B	C	D	E
C22M with striker	22	58	16	8	4

Data sheet: 720115

# Modular cylindrical fuse holders

## 10 x38 mm CH Modular fuse holders

### Specifications

#### Description

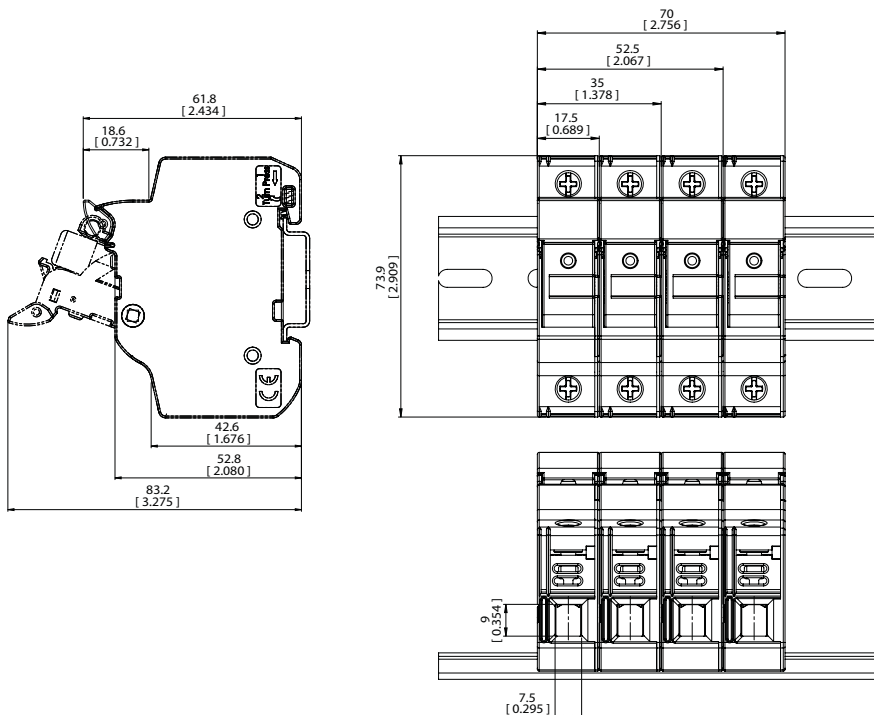
Modular fuse holders specifically designed for the protection of general industrial and commercial applications such as power distribution, lighting, cable and motor protection.

#### Product selection

#### 10 x 38 mm, CHM

Series & size	Catalogue number		Rated voltage & rated current	Agency markings	Number of poles	Terminal rating	Rated breaking capacity	Compatible fuse links
	With indicator	Without indicator						
CHM 10x38 and Midget	CHM1DIU	CHM1DU	IEC 690 V a.c./32 A UL 600 V a.c./30 A;	IEC 60269-2 UR; CSA; CCC	1	IEC: 1 to 25mm <sup>2</sup> 70°C PVC/Copper Cable	IEC 120 kA rms sym UL 200 kA rms sym CCC 100 kA rms sym	IEC: C10G and C10M Series  UL: FNQ, KLM, FNM, KTK, BAF, FWA, PVM, AGU, BAN, FWC.
	CHM2DIU	CHM2DU			2			
	CHM3DIU	CHM3DU			3			
	CHM4DIU	CHM4DU			4			
	CHM1DNIU	CHM1DNU	IEC 60269-2	1-pole + 1 neutral	Solid, Stranded, Fine Stranded, Spade Lug, Comb Bus Bar; Single and Dual			
	CHM3DNIU	CHM3DNU	3-pole + 1 neutral					
		CHM1DI-48U	N/A	IEC 48 V d.c./32 A UL 48 V d.c./30 A;	IEC 60269-2; UR; CSA; CCC	1		
	N/A	CHM1DNXU	IEC 690 V a.c./32 A	IEC 60269-2	1 neutral		N/A	N/A
CHPV Photovoltaic	CHPV1IU	CHPV1U	IEC 1000 V d.c./32 A UL 1000 V d.c./30 A;	IEC 60269-1 UR; CSA; CCC UL4248-18	1		33 kA	Solar PV series, PVM, PV-xxA10F
	CHPV2IU	CHPV2U			2			
CHCC Class CC	CHCC1DIU	CHCC1DU	UL 600 V a.c./d.c. 30 A	UL; CSA; CCC	1	Cable 75°C and 90°C Cu cable # 18 to # 4 AWG	200 kA rms sym	LP-CC, FNQ-R, KTK-R
	CHCC2DIU	CHCC2DU			2			
	CHCC3DIU	CHCC3DU			3			
		N/A	CHCC1DI-48U	UL 48 V d.c./30 A		1		

#### Dimensions - mm



## 14 x 51 mm CH Modular fuse holders

### 14 x 51 mm, CH14



Fuse holder description	Number of poles	Catalogue numbers	Rated voltage	Rated current (Amps)	Compatible fuse links
Neutral only	1	CH141DNXU	690 V a.c. / 750 V d.c.	50	C14G see page 83 C14M see page 87
Fuse holder only	1	CH141DU	690 V a.c. / 750 V d.c.	50	
Fuse holder only	2	CH142DU	690 V a.c. / 750 V d.c.	50	
Fuse holder only	3	CH143DU	690 V a.c. / 750 V d.c.	50	
Fuse holder only	4	CH144DU	690 V a.c. / 750 V d.c.	50	
Fuse holder and neutral	2	CH141DNU	690 V a.c. / 750 V d.c.	50	
Fuse holder and neutral	4	CH143DNU	690 V a.c. / 750 V d.c.	50	
Fuse holder with neon indicator	1	CH141DIU	690 V a.c. / 750 V d.c.	50	
Fuse holder with neon indicator	2	CH142DIU	690 V a.c. / 750 V d.c.	50	
Fuse holder with neon indicator	3	CH143DIU	690 V a.c. / 750 V d.c.	50	
Fuse holder with neon indicator	4	CH144DIU	690 V a.c. / 750 V d.c.	50	
Fuse holder with neon indicator and neutral	2	CH141DNIU	690 V a.c. / 750 V d.c.	50	
Fuse holder with neon indicator and neutral	4	CH143DNIU	690 V a.c. / 750 V d.c.	50	
Fuse holder with microswitch	1	CH141DMSU-F	690 V a.c. / 750 V d.c.	50	
Fuse holder with microswitch	3	CH143DMSU-F	690 V a.c. / 750 V d.c.	50	
Fuse holder with microswitch and neutral	4	CH143DNMSU-F	690 V a.c. / 750 V d.c.	50	
Fuse holder for photovoltaic application	1	CHPV141U	1500 V d.c.	50	PV-A14F refer to data sheet 720132
Fuse holder for photovoltaic application	2	CHPV142U	1500 V d.c.	50	
Fuse holder for photovoltaic application with neon indicator	1	CHPV141IU	1500 V d.c.	50	
Fuse holder for photovoltaic application with neon indicator	2	CHPV142IU	1500 V d.c.	50	

### Technical data

Agency markings	Terminal ratings	Pack quantity
IEC 60269-1 and -2	2.5 - 50mm <sup>2</sup>	1 pole: 6 2 pole: 3 3 pole: 2 4 pole: 1

### Accessories

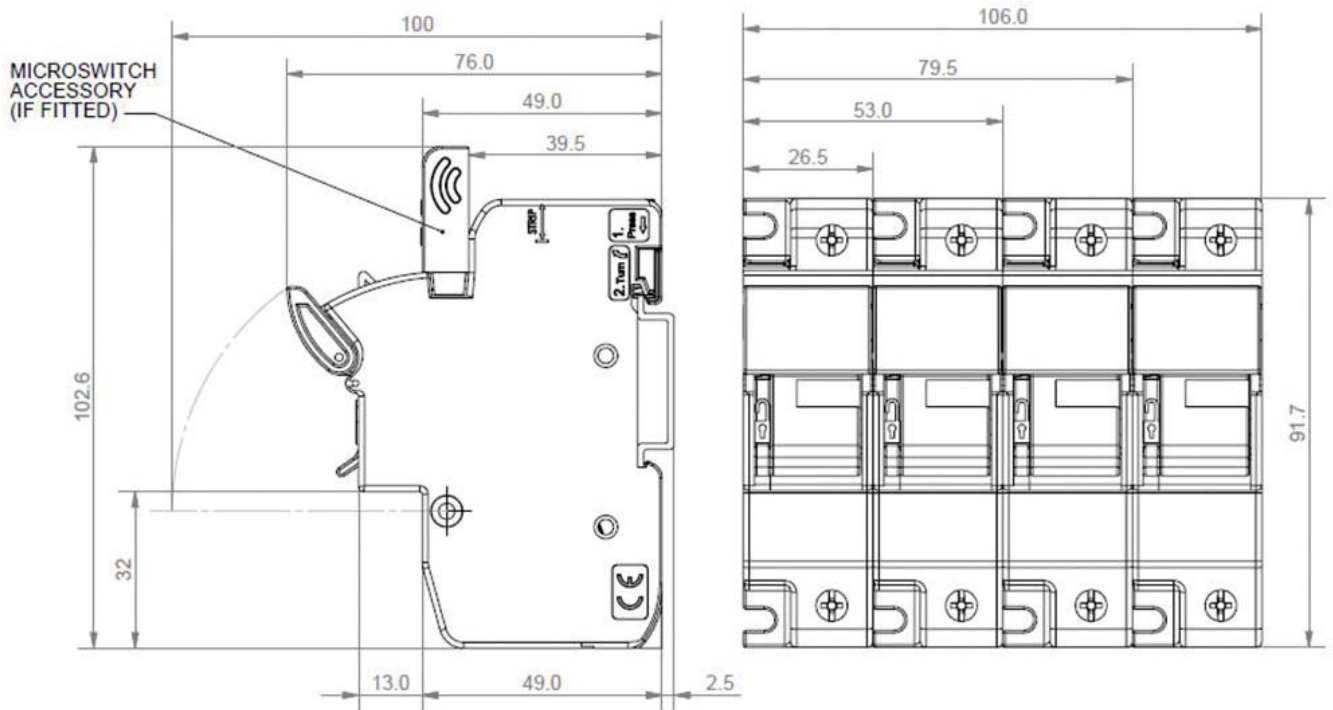
Catalogue numbers	Description	Pack quantity
JV-L	Multi pole connector kit. One kit will gang up to 4 poles together	12
CH14-SPS	Microswitch to work with CH141D(I)U, 1 n/o + 1 n/c changeover type	3
CH14-TPS	Microswitch to work with CH143D(I)U, 1 n/o changeover type	3
CH14-CTP	IP20 Protection accessory, provides IP20 protection to terminals with 10 mm <sup>2</sup> or less cable	12

Data sheet: 10080

# 14 x 51 mm CH Modular fuse holders

14 x 51 mm, CH14

Dimensions - mm



Data sheet: 10080

## 22 x 58 mm CH Modular fuse holders

### 22 x 58 mm, CH22



Fuse holder description	Number of poles	Catalogue numbers	Rated current (Amps)	Rated voltage	Compatible fuse links
Neutral only	1	CH221DNXU	125 A	690 V a.c./ 1000 V d.c.	C22G range see page 84 C22M range see page 89
Fuse holder only	1	CH221DU	125 A	690 V a.c./ 1000 V d.c.	
Fuse holder only	2	CH222DU	125 A	690 V a.c./ 1000 V d.c.	
Fuse holder only	3	CH223DU	125 A	690 V a.c./ 1000 V d.c.	
Fuse holder only	4	CH224DU	125 A	690 V a.c./ 1000 V d.c.	
Fuse holder with neon indicator	1	CH221DIU	125 A	690 V a.c./ 1000 V d.c.	
Fuse holder with neon indicator	2	CH222DIU	125 A	690 V a.c./ 1000 V d.c.	
Fuse holder with neon indicator	3	CH223DIU	125 A	690 V a.c./ 1000 V d.c.	
Fuse holder with neon indicator	4	CH2224DIU	125 A	690 V a.c./ 1000 V d.c.	
Fuse holder and neutral	2	CH221DNU	125 A	690 V a.c./ 1000 V d.c.	
Fuse holder and neutral	4	CH223DNU	125 A	690 V a.c./ 1000 V d.c.	
Fuse holder with neon indicator and neutral	2	CH221DNIU	125 A	690 V a.c./ 1000 V d.c.	
Fuse holder with neon indicator and neutral	4	CH223DNIU	125 A	690 V a.c./ 1000 V d.c.	
Fuse holder with microswitch	1	CH221DMSU-F	125 A	690 V a.c./ 1000 V d.c.	
Fuse holder with microswitch	3	CH223DMSU-F	125 A	690 V a.c./ 1000 V d.c.	
Fuse holder with neutral and microswitch	3	CH223DNMSU-F	125 A	690 V a.c./ 1000 V d.c.	

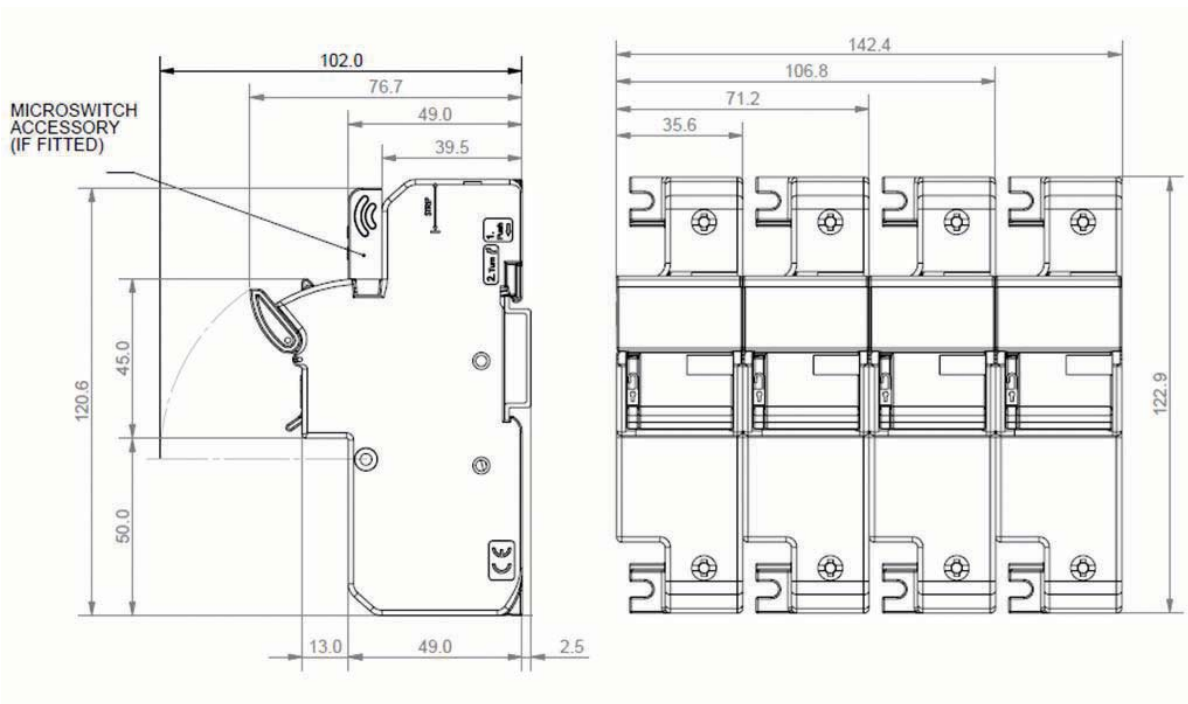
### Technical data

Agency markings	Terminal ratings	Pack quantity
IEC 60269-1 and -2	4 - 50 mm <sup>2</sup>	1 pole: 6 2 pole: 3 3 pole: 2 4 pole: 1

### Accessories

Catalogue numbers	Description	Pack quantity
JV-L	Multi-pole connector kit. One kit will gang up to 4 poles together	12
CH22-CTP	IP20 protection accessory, provide IP20 protection to terminals with 10 mm <sup>2</sup> or less cable	12
CH22-SPS	1 pole microswitch accessory for fuse operation/presence and pre-disconnect remote indication	3
CH22-TPS	3 pole microswitch accessory for fuse operation/presence and pre-disconnect remote indication	3

### Dimensions - mm



Data sheet: 10115



# NH Fuse links

## NH Product range overview

Voltage (V a.c.)	Class	Amps																				Page																	
		Size	2	4	6	10	16	20	25	32	35	40	50	63	80	100	125	160	200	224	250		300	315	355	400	425	450	500	630	800	1000	1250						
400	gG	000	2	4	6	10	16	20	25	32	35	40	50	63	80	100																							
		00															125	160																					
		01									35	40	50	63	80	100	125	160																					
		1																200	224	250																			
		02									35	40	50	63	80	100	125	160	200	224	250																		
		2																								315	355	400				630							
		03																							250	315	355	400											
		3																																500	630				
		500	gG	000	2	4	6	10	16	20	25	32	35	40	50	63	80	100																					
00														50	63	80	100	125	160																				
0					6	10	16	20	25	32	35	40	50	63	80	100	125	160																					
01					6	10	16	20	25	32	35	40	50	63	80	100	125	160																					
1														50	63	80	100	125	160	200	224	250			315	355													
02											35	40	50	63	80	100	125	160	200	224	250																		
2																								250	300	315	355	400	425	450	500								
03																								250		315	355	400											
3																											315	355	400	425	450	500	630	800					
4																																500	630	800	1000	1250			
690	gG	000	2	4	6	10	16	20	25	32	35	40	50	63																									
		00												50	63	80	100	125	160																				
		1												50	63	80	100	125	160	200	224	250																	
		2																					200	224	250		315												
		3																							250		315	355	400	425			500						
500 and 690	aM	000			6	10	16	20	25	32	35	40	50																										
		00												63	80	100																							
		1												50	63	80	100	125	160																				
		2																																					
3																																							

■ : Part available, for example Size 00 400 V is available in 125 and 160A

## 400 V a.c., class gG/gL, 2 to 630 Amps, sizes 000 to 3 NH fuse links

### Specifications

#### Description

A square bodied range of industrial fuse links for a wide variety of applications.

#### Technical data

Sizes 000 to 3  
 Rated voltage: 400 V a.c.  
 Rated current: 2 to 630 A  
 Breaking capacity: 120 kA AC  
 Rated frequency: 50Hz  
 Operating frequency: 45-62 Hz

#### Standard/agency information

IEC 60269-1 and 2, VDE 0636, DIN 43620 and CE

#### Dimensions

See pages 104 to 108

### Product selection



Size	Rated voltage	Rated current (Amps)	gG/gL Dual indicator		Pack quantity	Compatible fuse bases
			Voltage conducting metal gripping lugs	Insulated Metal Gripping Lugs		
000	400 V a.c.	2	2NHG000B-400	2NHG000BI-400	3	SD00-D see page 109
000	400 V a.c.	4	4NHG000B-400	4NHG000BI-400	3	
000	400 V a.c.	6	6NHG000B-400	6NHG000BI-400	3	
000	400 V a.c.	10	10NHG000B-400	10NHG000BI-400	3	
000	400 V a.c.	16	16NHG000B-400	16NHG000BI-400	3	
000	400 V a.c.	20	20NHG000B-400	20NHG000BI-400	3	
000	400 V a.c.	25	25NHG000B-400	25NHG000BI-400	3	
000	400 V a.c.	32	32NHG000B-400	32NHG000BI-400	3	
000	400 V a.c.	35	35NHG000B-400	35NHG000BI-400	3	
000	400 V a.c.	40	40NHG000B-400	40NHG000BI-400	3	
000	400 V a.c.	50	50NHG000B-400	50NHG000BI-400	3	
000	400 V a.c.	63	63NHG000B-400	63NHG000BI-400	3	
000	400 V a.c.	80	80NHG000B-400	80NHG000BI-400	3	
000	400 V a.c.	100	100NHG000B-400	100NHG000BI-400	3	
00	400 V a.c.	125	125NHG000B-400	125NHG000BI-400	3	SD00-D see page 109
00	400 V a.c.	160	160NHG000B-400	160NHG000BI-400	3	
01	400 V a.c.	35	35NHG01B-400	35NHG01BI-400	3	SD1-D see page 109
01	400 V a.c.	40	40NHG01B-400	40NHG01BI-400	3	
01	400 V a.c.	50	50NHG01B-400	50NHG01BI-400	3	
01	400 V a.c.	63	63NHG01B-400	63NHG01BI-400	3	
01	400 V a.c.	80	80NHG01B-400	80NHG01BI-400	3	
01	400 V a.c.	100	100NHG01B-400	100NHG01BI-400	3	
01	400 V a.c.	125	125NHG01B-400	125NHG01BI-400	3	
01	400 V a.c.	160	160NHG01B-400	160NHG01BI-400	3	
1	400 V a.c.	200	200NHG1B-400	200NHG1BI-400	3	SD1-D see page 109
1	400 V a.c.	224	224NHG1B-400	224NHG1BI-400	3	
1	400 V a.c.	250	250NHG1B-400	250NHG1BI-400	3	

## 400 V a.c., class gG/gL, 2 to 630 Amps, sizes 000 to 3 NH fuse links

### Product selection



Size	Rated voltage	Rated current (Amps)	gG/gL Dual indicator		Pack quantity	Compatible fuse bases
			Voltage conducting metal gripping lugs	Insulated Metal Gripping Lugs		
02	400 V a.c.	35	35NHG02B-400	35NHG02BI-400	3	SD2-D see page 109
02	400 V a.c.	40	40NHG02B-400	40NHG02BI-400	3	
02	400 V a.c.	50	50NHG02B-400	50NHG02BI-400	3	
02	400 V a.c.	63	63NHG02B-400	63NHG02BI-400	3	
02	400 V a.c.	80	80NHG02B-400	80NHG02BI-400	3	
02	400 V a.c.	100	100NHG02B-400	100NHG02BI-400	3	
02	400 V a.c.	125	125NHG02B-400	125NHG02BI-400	3	
02	400 V a.c.	160	160NHG02B-400	160NHG02BI-400	3	
02	400 V a.c.	200	200NHG02B-400	200NHG02BI-400	3	
02	400 V a.c.	224	224NHG02B-400	224NHG02BI-400	3	
02	400 V a.c.	250	250NHG02B-400	250NHG02BI-400	3	
2	400 V a.c.	315	315NHG2B-400	315NHG2BI-400	3	
2	400 V a.c.	355	355NHG2B-400	355NHG2BI-400	3	
2	400 V a.c.	400	400NHG2B-400	400NHG2BI-400	3	
2	400 V a.c.	630	630NHG2B-400	-	3	
03	400 V a.c.	250	250NHG03B-400	250NHG03BI-400	3	SD2-D see page 109
03	400 V a.c.	315	315NHG03B-400	315NHG03BI-400	3	
03	400 V a.c.	355	355NHG03B-400	355NHG03BI-400	3	
03	400 V a.c.	400	400NHG03B-400	400NHG03BI-400	3	
3	400 V a.c.	500	500NHG3B-400	500NHG3BI-400	3	SD3-D see page 109
3	400 V a.c.	630	630NHG3B-400	630NHG3BI-400	3	

Data sheet: 720099

## 500 V a.c., class gG/gL, 2 to 1250 Amps, sizes 000 to 4 NH fuse links

### Specifications

#### Description

A square bodied range of industrial fuse links for a wide variety of applications.

#### Standard/agency information

IEC 60269-1 and 2, VDE 0636, DIN 43620 and CE

#### Technical data

Sizes 000 to 4  
 Rated voltage: 500 V a.c.  
 Rated current: 2 to 1250 A  
 Breaking capacity: 120 kA AC  
 Operating frequency: 45-62 Hz

#### Dimensions

See pages 104 to 108.

### Product selection



Size	Rated voltage	Rated current (Amps)	gG/gL Dual indicator		Pack quantity	Compatible fuse bases
			Voltage conducting metal gripping lugs	Insulated metal gripping lugs		
000	500 V a.c.	2	2NHG000B	2NHG000BI	3	SD00-D see page 109
000	500 V a.c.	4	4NHG000B	4NHG000BI	3	
000	500 V a.c.	6	6NHG000B	6NHG000BI	3	
000	500 V a.c.	10	10NHG000B	10NHG000BI	3	
000	500 V a.c.	16	16NHG000B	16NHG000BI	3	
000	500 V a.c.	20	20NHG000B	20NHG000BI	3	
000	500 V a.c.	25	25NHG000B	25NHG000BI	3	
000	500 V a.c.	32	32NHG000B	32NHG000BI	3	
000	500 V a.c.	35	35NHG000B	35NHG000BI	3	
000	500 V a.c.	40	40NHG000B	40NHG000BI	3	
000	500 V a.c.	50	50NHG000B	50NHG000BI	3	
000	500 V a.c.	63	63NHG000B	63NHG000BI	3	
000	500 V a.c.	80	80NHG000B	80NHG000BI	3	
000	500 V a.c.	100	100NHG000B	100NHG000BI	3	
00	500 V a.c.	50	50NHG00B	50NHG00BI*	3	SD00-D see page 109
00	500 V a.c.	63	63NHG00B	63NHG00BI*	3	
00	500 V a.c.	80	80NHG00B	80NHG00BI*	3	
00	500 V a.c.	100	100NHG00B	100NHG00BI*	3	
00	500 V a.c.	125	125NHG00B	125NHG00BI	3	
00	500 V a.c.	160	160NHG00B	160NHG00BI	3	
0	500 V a.c.	6	6NHGOB	-	3	-
0	500 V a.c.	10	10NHGOB	-	3	-
0	500 V a.c.	16	16NHGOB	-	3	-
0	500 V a.c.	20	20NHGOB	-	3	-
0	500 V a.c.	25	25NHGOB	-	3	-
0	500 V a.c.	32	32NHGOB	-	3	-
0	500 V a.c.	35	35NHGOB	-	3	-
0	500 V a.c.	40	40NHGOB	-	3	-
0	500 V a.c.	50	50NHGOB	-	3	-
0	500 V a.c.	63	63NHGOB	-	3	-
0	500 V a.c.	80	80NHGOB	-	3	-
0	500 V a.c.	100	100NHGOB	-	3	-
0	500 V a.c.	125	125NHGOB	-	3	-
0	500 V a.c.	160	160NHGOB	-	3	-

## 500 V a.c., class gG/gL, 2 to 1250 Amps, sizes 000 to 4 NH fuse links

### Product selection



Size	Rated voltage	Rated current (Amps)	gG/gL Dual indicator		Pack quantity	Compatible fuse bases	
			Voltage conducting metal gripping lugs	Insulated metal gripping lugs			
01	500 V a.c.	6	6NHG01B	6NHG01BI	3	SD1-D see page 109	
01	500 V a.c.	10	10NHG01B	10NHG01BI	3		
01	500 V a.c.	16	16NHG01B	16NHG01BI	3		
01	500 V a.c.	20	20NHG01B	20NHG01BI	3		
01	500 V a.c.	25	25NHG01B	25NHG01BI	3		
01	500 V a.c.	32	32NHG01B	32NHG01BI	3		
01	500 V a.c.	35	35NHG01B	35NHG01BI	3		
01	500 V a.c.	40	40NHG01B	40NHG01BI	3		
01	500 V a.c.	50	50NHG01B	50NHG01BI	3		
01	500 V a.c.	63	63NHG01B	63NHG01BI	3		
01	500 V a.c.	80	80NHG01B	80NHG01BI	3		
01	500 V a.c.	100	100NHG01B	100NHG01BI	3		
01	500 V a.c.	125	125NHG01B	125NHG01BI	3		
01	500 V a.c.	160	160NHG01B	160NHG01BI	3		
1	500 V a.c.	50	50NHG1B	50NHG1BI	3	SD1-D see page 109	
1	500 V a.c.	63	63NHG1B	63NHG1BI	3		
1	500 V a.c.	80	80NHG1B	80NHG1BI	3		
1	500 V a.c.	100	100NHG1B	100NHG1BI	3		
1	500 V a.c.	125	125NHG1B	125NHG1BI	3		
1	500 V a.c.	160	160NHG1B	160NHG1BI	3		
1	500 V a.c.	200	200NHG1B	200NHG1BI	3		
1	500 V a.c.	224	224NHG1B	224NHG1BI	3		
1	500 V a.c.	250	250NHG1B	250NHG1BI	3		
1	440 V a.c.	315	315NHG1B	315NHG1BI	3		
1	500 V a.c.	355	355NHG1B	355NHG1BI	3		
02	500 V a.c.	35	35NHG02B	35NHG02BI	3	SD2-D see page 109	
02	500 V a.c.	40	40NHG02B	40NHG02BI	3		
02	500 V a.c.	50	50NHG02B	50NHG02BI	3		
02	500 V a.c.	63	63NHG02B	63NHG02BI	3		
02	500 V a.c.	80	80NHG02B	80NHG02BI	3		
02	500 V a.c.	100	100NHG02B	100NHG02BI	3		
02	500 V a.c.	125	125NHG02B	125NHG02BI	3		
02	500 V a.c.	160	160NHG02B	160NHG02BI	3		
02	500 V a.c.	200	200NHG02B	200NHG02BI	3		
02	500 V a.c.	224	224NHG02B	224NHG02BI	3		
02	500 V a.c.	250	250NHG02B	250NHG02BI	3		
2	500 V a.c.	250	250NHG2B	250NHG2BI	3		SD2-D see page 109
2	500 V a.c.	300	300NHG2B	300NHG2BI	3		
2	500 V a.c.	315	315NHG2B	315NHG2BI	3		
2	500 V a.c.	355	355NHG2B	355NHG2BI	3		
2	500 V a.c.	400	400NHG2B	400NHG2BI	3		
2	500 V a.c.	425	425NHG2B	425NHG2BI	3		
2	500 V a.c.	450	450NHG2B	450NHG2BI	3		
2	440 V a.c.	500	500NHG2B	500NHG2BI	3		

Data sheet: 10164

## 500 V a.c., class gG/gL, 2 to 1250 Amps, sizes 000 to 4 NH fuse links

### Product selection



Size	Rated voltage	Rated current (Amps)	gG/gL Dual indicator		Pack quantity	Compatible fuse bases
			Voltage conducting metal gripping lugs	Insulated metal gripping lugs		
03	500 V a.c.	250	250NHG03B	250NHG03BI	3	SD3-D see page 109
03	500 V a.c.	315	315NHG03B	315NHG03BI	3	
03	500 V a.c.	355	355NHG03B	355NHG03BI	3	
03	500 V a.c.	400	400NHG03B	400NHG03BI	3	
3	500 V a.c.	315	315NHG3B	-	3	SD3-D see page 109
3	500 V a.c.	355	355NHG3B	-	3	
3	500 V a.c.	400	400NHG3B	-	3	
3	500 V a.c.	425	425NHG3B	-	3	
3	500 V a.c.	450	450NHG3B	-	3	
3	500 V a.c.	500	500NHG3B	-	3	
3	500 V a.c.	630	630NHG3B	-	3	
3	440 V a.c.	800	800NHG3B	-	3	
4**	500 V a.c.	500	500NHG4G	-	1	SD4-S see page 109
4**	500 V a.c.	630	630NHG4G	-	1	
4**	500 V a.c.	800	800NHG4G	-	1	
4**	500 V a.c.	1000	1000NHG4G	-	1	
4**	500 V a.c.	1250	1250NHG4G	-	1	

\* Available upon request

\*\* Size 4 NH is a single indication fuse with slotted end tags

Data sheet: 10164

## 690 V a.c., class gG/gL, 2 to 800 Amps, sizes 000 to 4 NH fuse links

### Specifications

#### Description

A square bodied range of industrial fuse links for a wide variety of applications.

#### Technical data

Sizes 000 to 4  
 Rated voltage: 690 V a.c.  
 Rated current: 2 to 800 A  
 Breaking capacity: 120 kA AC  
 Operating frequency: 45-62 Hz

#### Standard/agency information

IEC 60269-1 and 2, DIN 43620 part 1 and 3

#### Dimensions

See pages 104 to 108.

### Product selection



Size	Rated voltage	Rated current (Amps)	gG/gL Dual indicator		Pack quantity	Compatible fuse bases
			Voltage conducting metal	gripping lugs		
000	690 V a.c.	2	2NHG000B-690		3	SD00-D see page 109
000	690 V a.c.	4	4NHG000B-690		3	
000	690 V a.c.	6	6NHG000B-690		3	
000	690 V a.c.	10	10NHG000B-690		3	
000	690 V a.c.	16	16NHG000B-690		3	
000	690 V a.c.	20	20NHG000B-690		3	
000	690 V a.c.	25	25NHG000B-690		3	
000	690 V a.c.	32	32NHG000B-690		3	
000	690 V a.c.	35	35NHG000B-690		3	
000	690 V a.c.	40	40NHG000B-690		3	
000	690 V a.c.	50	50NHG000B-690		3	
000	690 V a.c.	63	63NHG000B-690		3	
00	690 V a.c.	50	50NHG00B-690		3	
00	690 V a.c.	63	63NHG00B-690		3	
00	690 V a.c.	80	80NHG00B-690		3	
00	690 V a.c.	100	100NHG00B-690		3	
00	690 V a.c.	125	125NHG00B-690		3	
00	660 V a.c.	160*	160NHG00B-660		3	
1	690 V a.c.	50	50NHG1B-690		3	SD1-D see page 109
1	690 V a.c.	63	63NHG1B-690		3	
1	690 V a.c.	80	80NHG1B-690		3	
1	690 V a.c.	100	100NHG1B-690		3	
1	690 V a.c.	125	125NHG1B-690		3	
1	690 V a.c.	160	160NHG1B-690		3	
1	690 V a.c.	200	200NHG1B-690		3	
1	690 V a.c.	224	224NHG1B-690		3	
1	690 V a.c.	250	250NHG1B-690		3	
2	690 V a.c.	200	200NHG2B-690		3	
2	690 V a.c.	224	224NHG2B-690		3	
2	690 V a.c.	250	250NHG2B-690		3	
2	690 V a.c.	315	315NHG2B-690		3	
3	690 V a.c.	250	250NHG3B-690		3	SD3-D see page 109
3	690 V a.c.	315	315NHG3B-690		3	
3	690 V a.c.	355	355NHG3B-690		3	
3	690 V a.c.	400	400NHG3B-690		3	
3	690 V a.c.	425	425NHG3B-690		3	
3	690 V a.c.	500	500NHG3B-690		3	
3	690 V a.c.	500	500NHG3B-690		3	
4**	690 V a.c.	630	630NHG4B-690		1	SD4-S see page 109
4**	690 V a.c.	800	800NHG4B-690		1	

\* Size 00 160A is rated at 660 V a.c.

\*\*Size 4 is a fuse link with single indication fuse link with slotted end tags

Please contact us should you wish to order 500 Volts size 4  
 buletechnical@eaton.com or 00 44 (0) 1509 882 699

## 690 V a.c., class gG/gL, 2 to 800 Amps, sizes 000 to 4 NH fuse links

### Product selection



Size	Rated voltage	Rated current (Amps)	gG/gL Dual indicator		Pack quantity	Compatible fuse bases
			Voltage conducting metal	gripping lugs		
000	690 V a.c.	2	2NHG000B-690		3	SD00-D see page 109
000	690 V a.c.	4	4NHG000B-690		3	
000	690 V a.c.	6	6NHG000B-690		3	
000	690 V a.c.	10	10NHG000B-690		3	
000	690 V a.c.	16	16NHG000B-690		3	
000	690 V a.c.	20	20NHG000B-690		3	
000	690 V a.c.	25	25NHG000B-690		3	
000	690 V a.c.	32	32NHG000B-690		3	
000	690 V a.c.	35	35NHG000B-690		3	
000	690 V a.c.	40	40NHG000B-690		3	
000	690 V a.c.	50	50NHG000B-690		3	
000	690 V a.c.	63	63NHG000B-690		3	
00	690 V a.c.	50	50NHG00B-690		3	
00	690 V a.c.	63	63NHG00B-690		3	
00	690 V a.c.	80	80NHG00B-690		3	
00	690 V a.c.	100	100NHG00B-690		3	
00	690 V a.c.	125	125NHG00B-690		3	
00	660 V a.c.	160*	160NHG00B-660		3	
1	690 V a.c.	50	50NHG1B-690		3	SD1-D see page 109
1	690 V a.c.	63	63NHG1B-690		3	
1	690 V a.c.	80	80NHG1B-690		3	
1	690 V a.c.	100	100NHG1B-690		3	
1	690 V a.c.	125	125NHG1B-690		3	
1	690 V a.c.	160	160NHG1B-690		3	
1	690 V a.c.	200	200NHG1B-690		3	
1	690 V a.c.	224	224NHG1B-690		3	
1	690 V a.c.	250	250NHG1B-690		3	
2	690 V a.c.	200	200NHG2B-690		3	SD2-D see page 109
2	690 V a.c.	224	224NHG2B-690		3	
2	690 V a.c.	250	250NHG2B-690		3	
2	690 V a.c.	315	315NHG2B-690		3	
3	690 V a.c.	250	250NHG3B-690		3	SD3-D see page 109
3	690 V a.c.	315	315NHG3B-690		3	
3	690 V a.c.	355	355NHG3B-690		3	
3	690 V a.c.	400	400NHG3B-690		3	
3	690 V a.c.	425	425NHG3B-690		3	
3	690 V a.c.	500	500NHG3B-690		3	
4**	690 V a.c.	630	630NHG4B-690		1	SD4-S see page 109
4**	690 V a.c.	800	800NHG4B-690		1	

\* Size 00 160A is rated at 660 V a.c.

\*\*Size 4 is a fuse link with single indication fuse link with slotted end tags

Please contact us should you wish to order 500 Volts size 4  
 buletechnical@eaton.com or 00 44 (0) 1509 882 699

Data sheet: 720109



## 500 and 690 V a.c., class aM, 6 to 500 Amps, sizes 000 to 3 NH fuse links

### Specifications

#### Description

A square bodied range of industrial fuse links for a wide variety of applications.

#### Technical data

Sizes 000 to 3  
 Rated voltage: 500 and 690 V a.c.  
 Rated current: 6 to 500 A  
 Breaking capacity: 120 kA AC  
 Operating frequency: 45-62 Hz

#### Standard/agency information

IEC 60269-1 and 2, DIN 43620 part 1 and 3

#### Dimensions

See page 104 to 108.

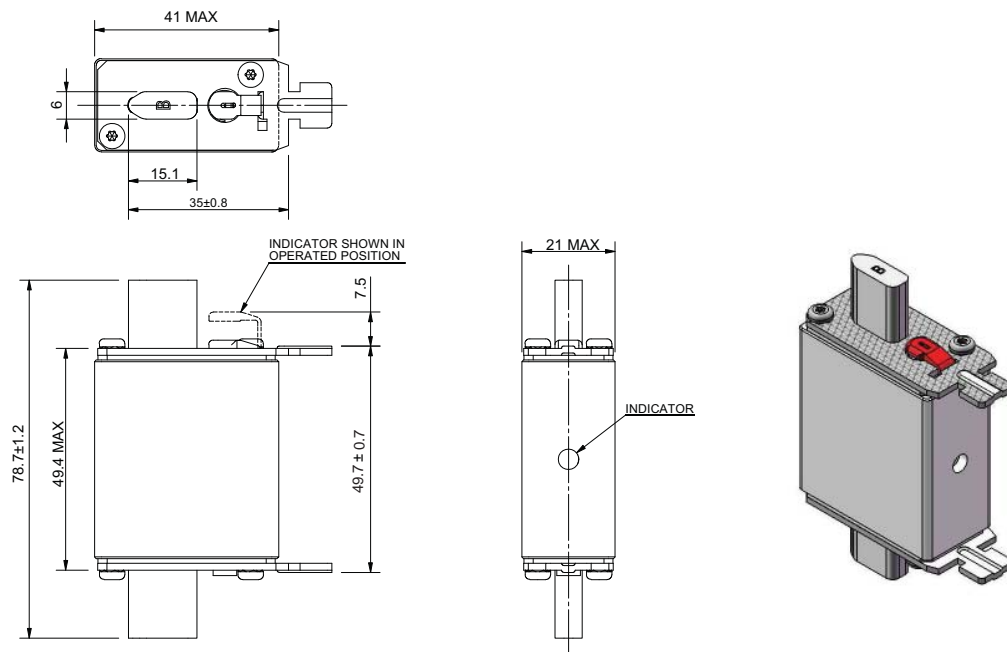
#### Product selection



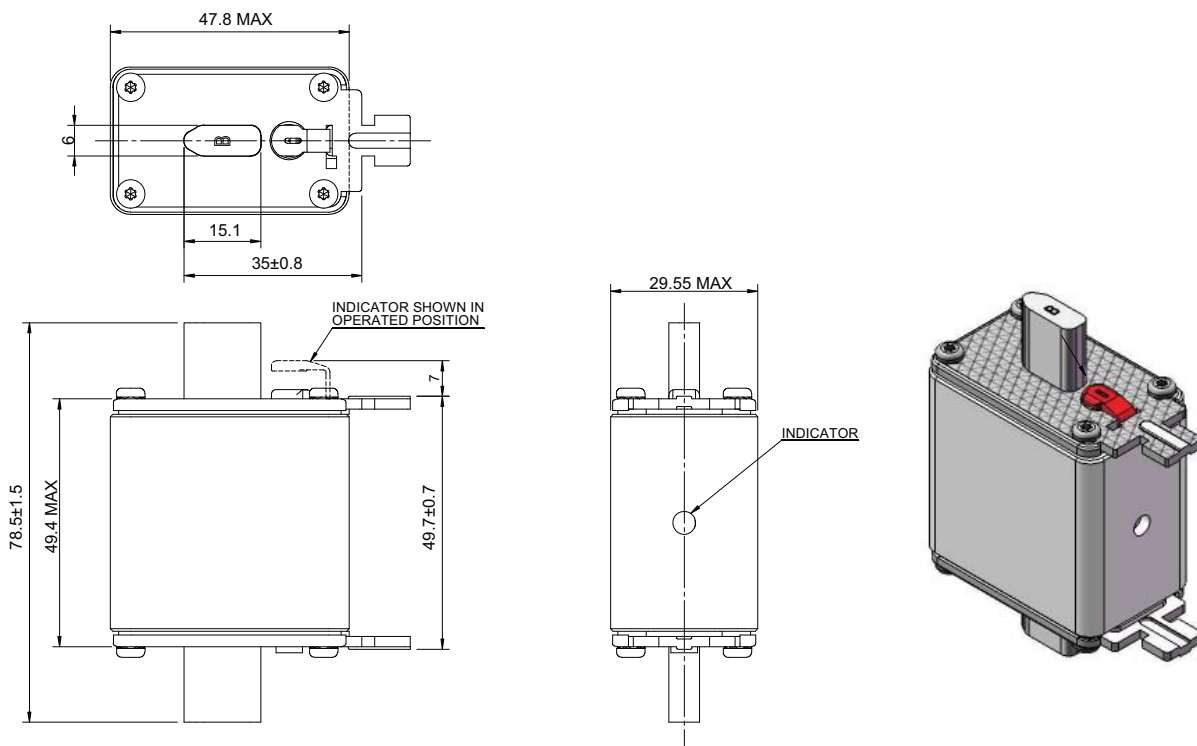
Size	Rated current (Amps)	500 V a.c. class aM	690 V a.c. class aM	Pack quantity	Compatible fuse bases
		Conducting metal gripping lugs	Conducting metal gripping lugs		
000	6	6NHM000B	6NHM000B-690	3	SD00-D see page 109
000	10	10NHM000B	10NHM000B-690	3	
000	16	16NHM000B	16NHM000B-690	3	
000	20	20NHM000B	20NHM000B-690	3	
000	25	25NHM000B	25NHM000B-690	3	
000	32	32NHM000B	32NHM000B-690	3	
000	35	35NHM000B	35NHM000B-690	3	
000	40	40NHM000B	40NHM000B-690	3	
000	50	50NHM000B	50NHM000B-690	3	
00	63	63NHM00B	63NHM00B-690	3	SD00-D see page 109
00	80	80NHM00B	80NHM00B-690	3	
00	100	100NHM00B	100NHM00B-690	3	
1	50	50NHM1B	50NHM1B-690	3	SD1-D see page 109
1	63	63NHM1B	63NHM1B-690	3	
1	80	80NHM1B	80NHM1B-690	3	
1	100	100NHM1B	100NHM1B-690	3	
1	125	125NHM1B	125NHM1B-690	3	
1	160	160NHM1B	160NHM1B-690	3	SD2-D see page 109
2	125	125NHM2B	125NHM2B-690	3	
2	160	160NHM2B	160NHM2B-690	3	
2	200	200NHM2B	200NHM2B-690	3	
2	224	224NHM2B	224NHM2B-690	3	
2	250	250NHM2B	250NHM2B-690	3	
2	315*	315NHM2B*	315NHM2B-690*	3	
2	355*	355NHM2B*	355NHM2B-690*	3	
3	315	315NHM3B	315NHM3B-690	3	SD3-D see page 109
3	355	355NHM3B	355NHM3B-690	3	
3	400	400NHM3B	400NHM3B-690	3	
3	500	500NHM3B	500NHM3B-690	3	

\* Single indication

## NH fuse links dimensions

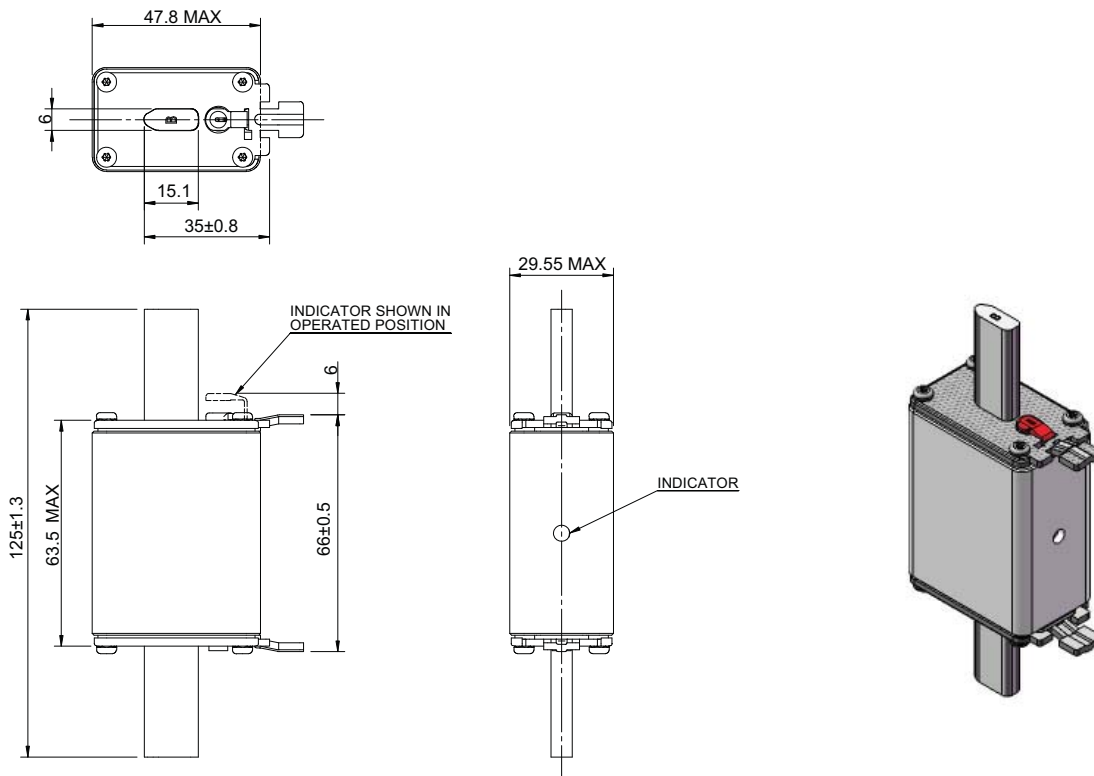


### Size 000

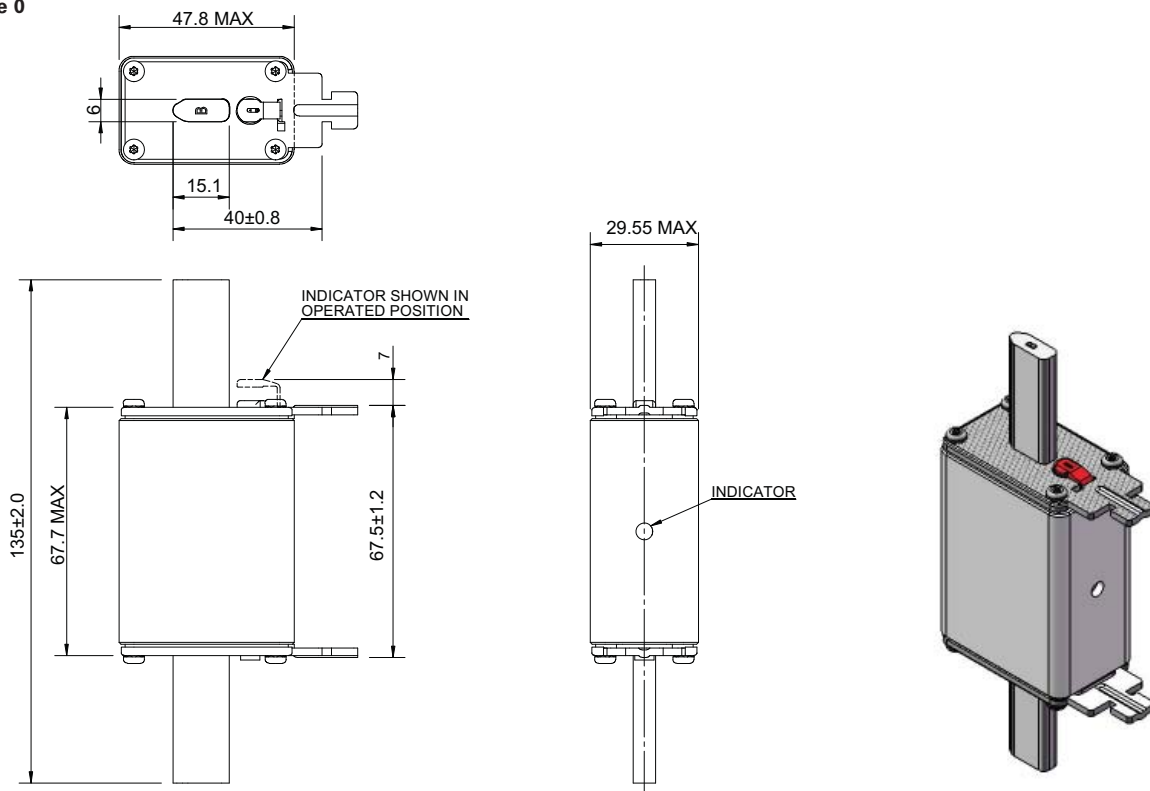


### Size 00

## NH fuse links dimensions

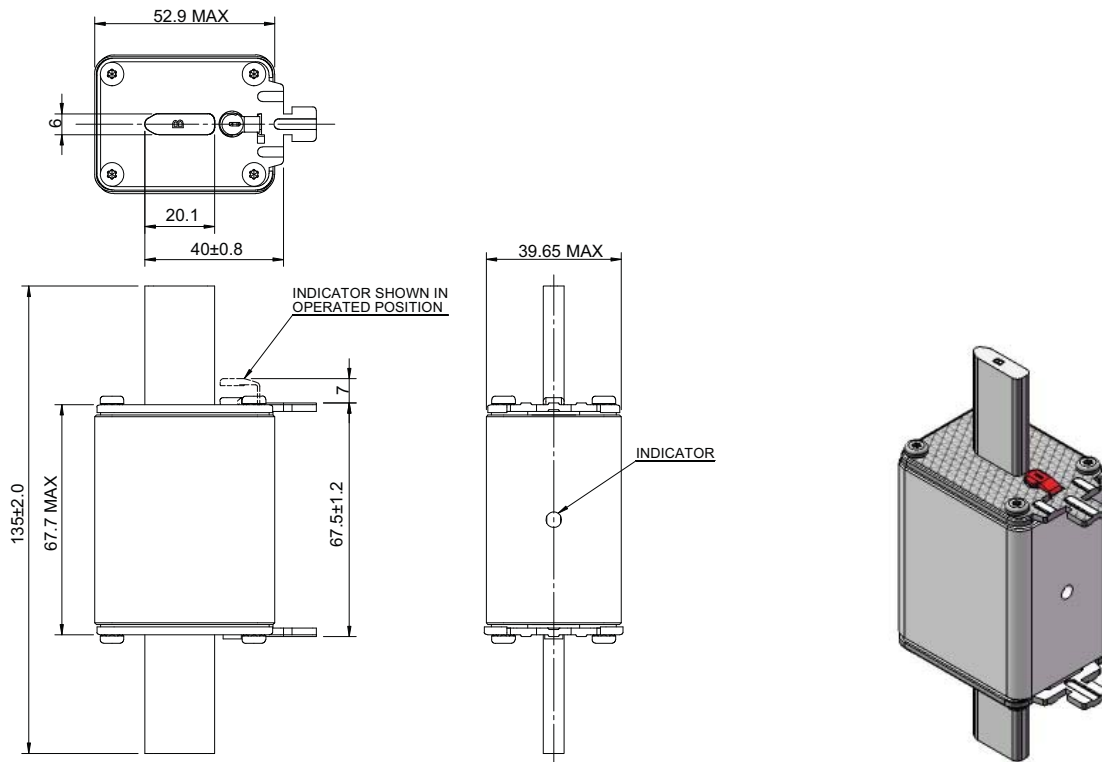


### Size 0

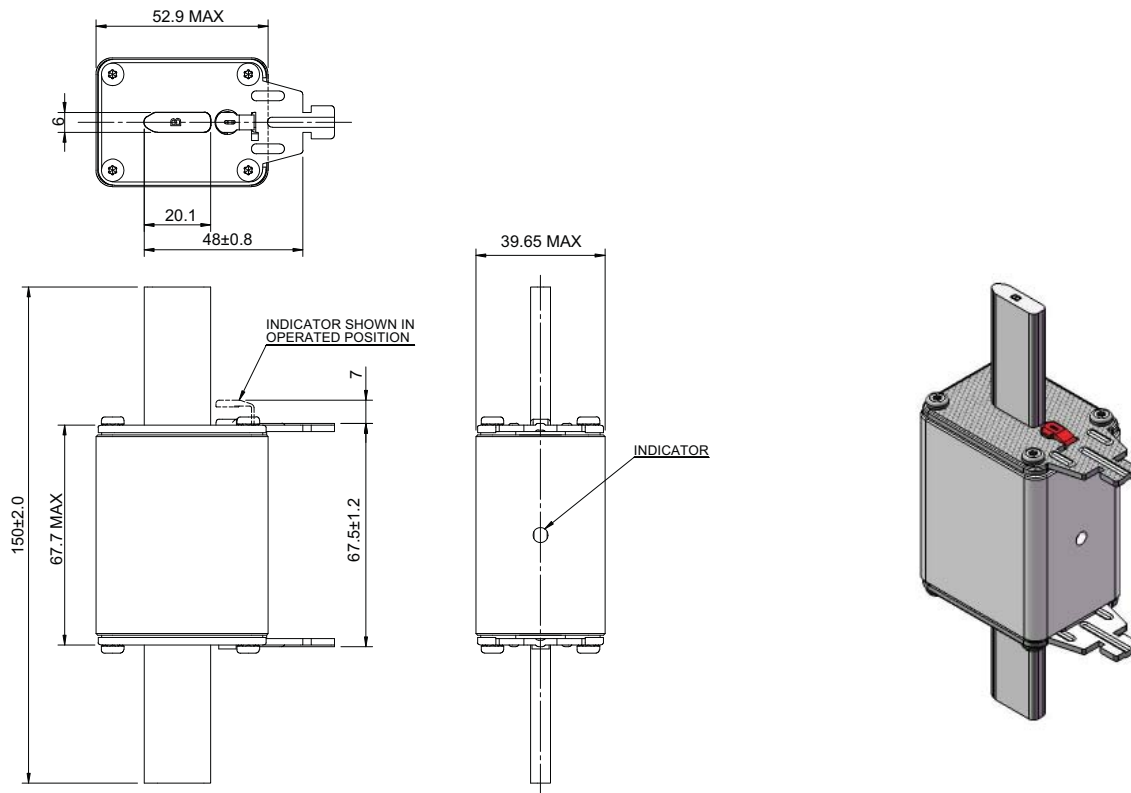


### Size 01

## NH fuse links dimensions

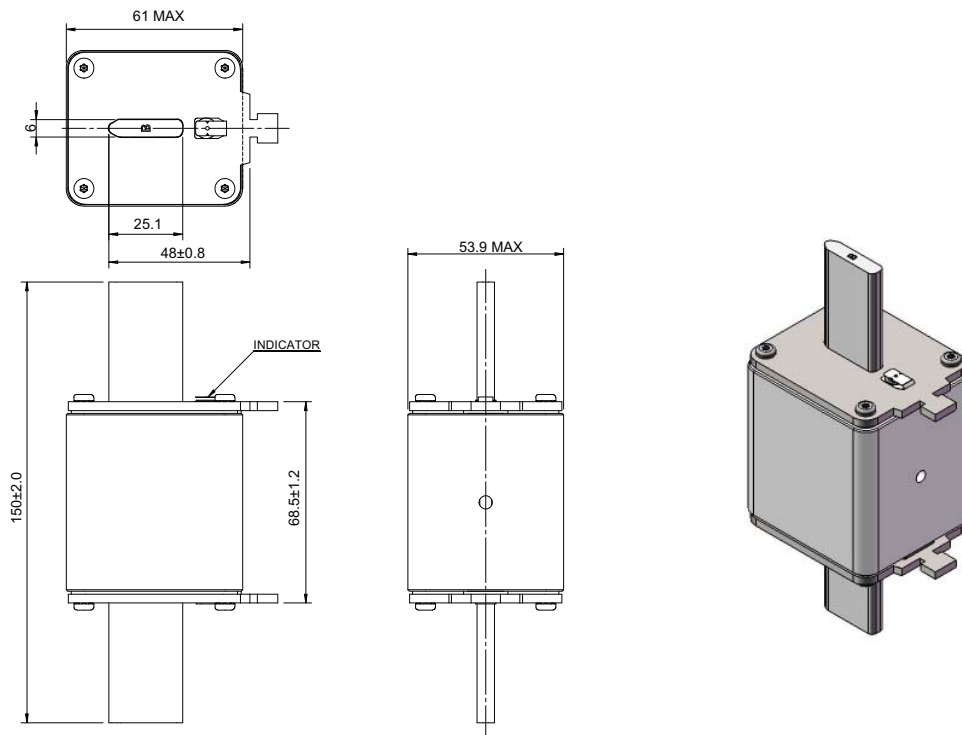


Size 1

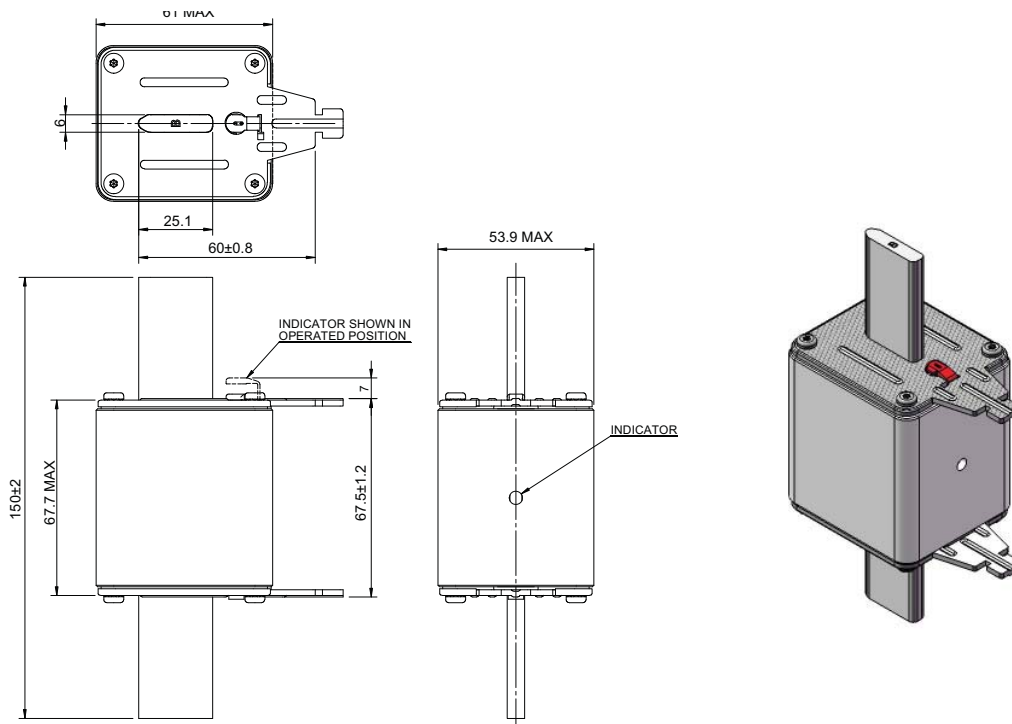


Size 02

## NH fuse links dimensions

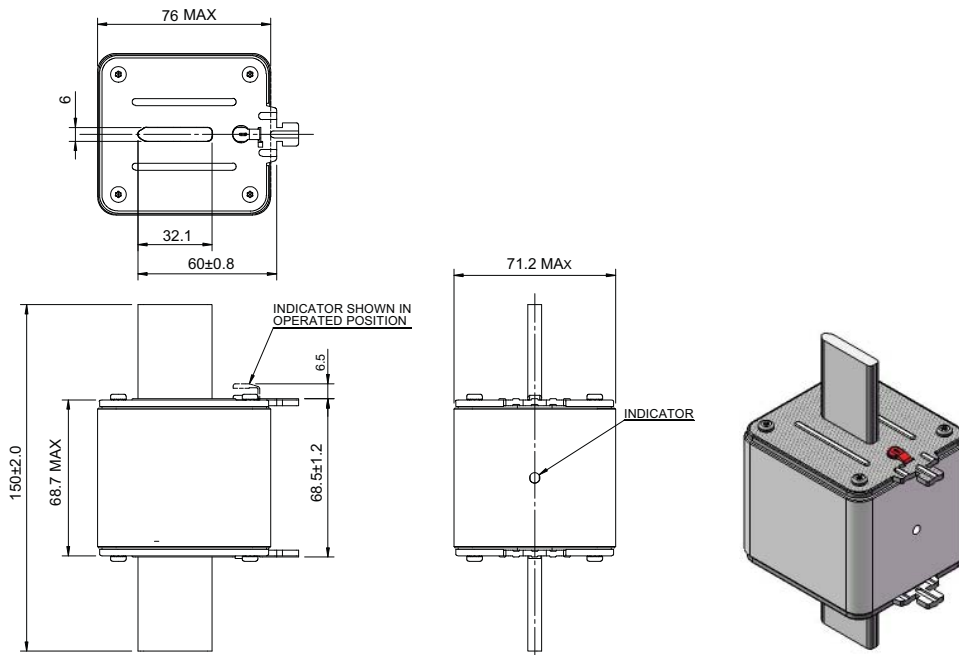


### Size 2

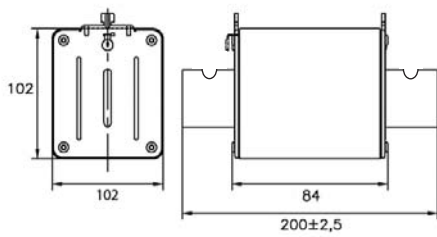


### Size 03

## NH fuse links dimensions



### Size 3



### Size 4

Please contact [buletechnical@eaton.com](mailto:buletechnical@eaton.com) for size 4 dimensions

# NH Fuse bases and accessories

## SD and TD fuse bases and accessories

### Specifications

#### Description

NH fuse bases with thermoplastic bodies, DIN rail and/or screw mounting (size 4 screw mounting only). Range of accessories including phase barriers, IP20 finger-safe protection kits and neutral links available.

Microswitch also available for remote signaling of fuse link operation.

#### Technical data

Rated voltage: 690 V a.c.

Rated current: 160 to 1600 A

Rated for fuse links with breaking capacity: 120 kA a.c.

#### Standard/agency information

IEC 60269-1 and 2, VDE 0636-1 and 2

### Product selection

Size	Poles	Rated current (Amps)	Catalogue numbers		Pack quantity	Compatible fuse links size
			DIN-Rail and screw mounting	Screw mounting only		
00	1-pole	160	SD00-D	SD00-S	3	400/500/690 V NH gG and aM fuse links
00	3-pole	160	TD00-D	N/A	1	400/500/690 V NH gG and aM fuse links
00	3-pole	160	TD00-DI*	N/A	1	400/500/690 V NH gG and aM fuse links
1	1-pole	250	SD1-D	SD1-S	3	400/500/690 V NH gG and aM fuse links
1	3-pole	250	TD1-D	N/A	1	400/500/690 V NH gG and aM fuse links
2	1-pole	400	SD2-D	SD2-S	3	400/500/690 V NH gG and aM fuse links
2	1-pole	400	SD2-DD**	N/A	3	400/500/690 V NH gG and aM fuse links
2	3-pole	400	TD2-D	N/A	1	400/500/690 V NH gG and aM fuse links
2	3-pole	400	TD2-DD**	N/A	1	400/500/690 V NH gG and aM fuse links
3	1-pole	630	SD3-D**	SD3-S	3	400/500/690 V NH gG and aM fuse links
3	3-pole	630	TD3-D**	N/A	1	400/500/690 V NH gG and aM fuse links
4	1-pole	1250	N/A	SD4-S	1	400/500/690 V NH gG and aM fuse links
4	1-pole	1600	N/A	SD4-S1600	1	400/500/690 V NH gG and aM fuse links

\* 3-pole integral base moulding.

\*\* Double fuse contact clips.



**SD-D Single pole  
DIN-Rail and screw mounting**



**SD-S Single pole screw  
mounting only**



**TD-D Triple pole DIN-Rail  
and screw mounting only**

## SD and TD

### Technical data

Fuse base catalogue numbers	SD00-D						
	TD00-D TD00-D1	SD1-D TD1-D	SD2-D TD2-D	SD3-D TD3-D	SD4-S	SD4-S1600	
Base	Glass filled PBT						
Contacts	Silver plated copper						
Screw, nuts and washers	Zinc clear plated steel						
Derating temperature factors for maximum Rated current	≤ 35°C	1	1	1	1	1	1
	40°C	0.95	0.95	0.95	0.95	0.95	0.95
	50°C	0.85	0.85	0.85	0.85	0.85	0.85
Maximum power acceptance	12W	32W	45W	60W	110W	145W	
Degree of protection with covers fitted	IP20	IP20	IP20	IP20	-	-	
Terminal screw	M8	M10	M10	M12	M16	M16	
Maximum tightening torque terminal screw	10N•m	32N•m	32N•m	32N•m	56N•m	56N•m	
Fixing	DIN-Rail	✓	✓	✓	✓	✗	✗
	Screw	✓	✓	✓	✓	✓	✓
With microswitch 16A/250V	Fuse operated signal	✓	✓	✓	✓	✗	✗
Operating temperature range	-20 to 70°C						
Storage temperature range	-40 to 80°C						

### Solid links

Size	Rated current (Amps)	Catalogue numbers	Pack quantity
NH00	160	SDL-00	3
NH1	250	SDL-1	3
NH2	400	SDL-2	3
NH3	630	SDL-3	3



Solid link

### Fuse extraction handle

Size	Rated current (Amps)	Catalogue numbers	Pack quantity
NH00-3	160 - 630	FEH	1



Fuse extraction handle

### Shroud kit

Fuse Base	Fuse Size	Rated current (Amps)	Catalogue numbers	Description
SD1	NH1	250	SD12-SK	Kit includes 2 shrouds and 1 fuse cover
SD2	NH2	400	SD12-SK	Kit includes 2 shrouds and 1 fuse cover
SD3	NH3	630	SD3-SK	Kit includes 2 shrouds and 1 fuse cover



Shroud kit



## SD and TD

### Phase barriers

Size	Rated current (Amps)	Catalogue numbers	Pack quantity	Description
NH00	160	SD00-PB	1	2-Phase barriers
NH1	250	SD12-PB	1	2-Phase barriers and 2 ganging links
NH2	400	SD12-PB	1	2-Phase barriers and 2 ganging links
NH3	630	SD3-PB	1	2-Phase barriers and 2 ganging links



### IP Protection kits



Size	Rated current (Amps)	Catalogue numbers	Fuse cover	Shroud	Phase barrier	Ganging link	Integral kit	Description
NH00	160	TD00-IP20	3	6	2			Triple pole protection kit for TD00-D with shrouds, fuse covers and phase barriers
		TD00-IP20I					1	Integral triple pole protection kit for TD00-DI with molded shrouds and phase barriers
		TD00-IP20IC	3				1	Integral triple pole protection kit for TD00-DI with fuse covers and molded shrouds and phase barriers
NH1	250	TD1-IP20	3	6	2	2	Triple pole protection kit with terminal shrouds, fuse cover phase barriers and ganging links	
NH2	400	TD2-IP20						
NH3	630	TD3-IP20						



### Microswitches

Catalogue Numbers	Pack quantity	Ratings
BVL50	1	6A 250 V a.c.
170H0236	12	2A 250 V a.c.
170H0238	12	2A 250 V a.c.



Microswitch suitable for the following NH fuse links:

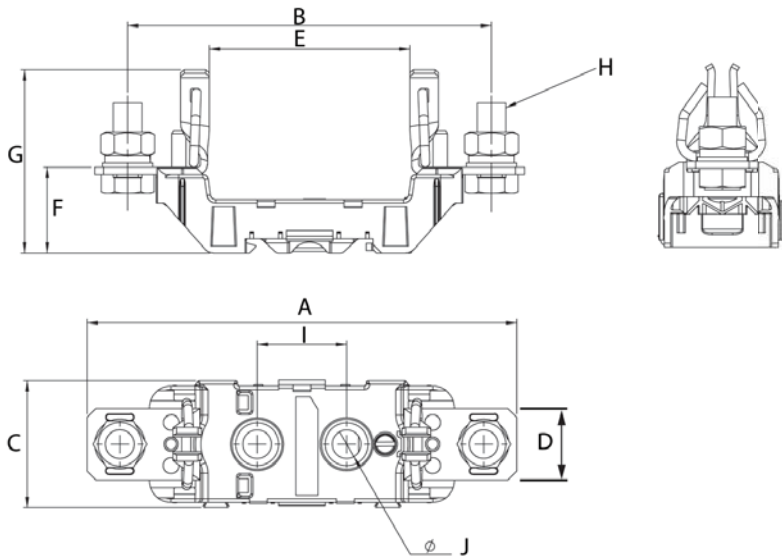
- 400 Volts gG/gL
- 500 Volts gG/gL and aM
- 690 Volts gG/gL and aM.

Note: Microswitches fit onto the fuse gripping lugs and are applicable to all NH size Bussmann series fuses.

Data sheet 10163

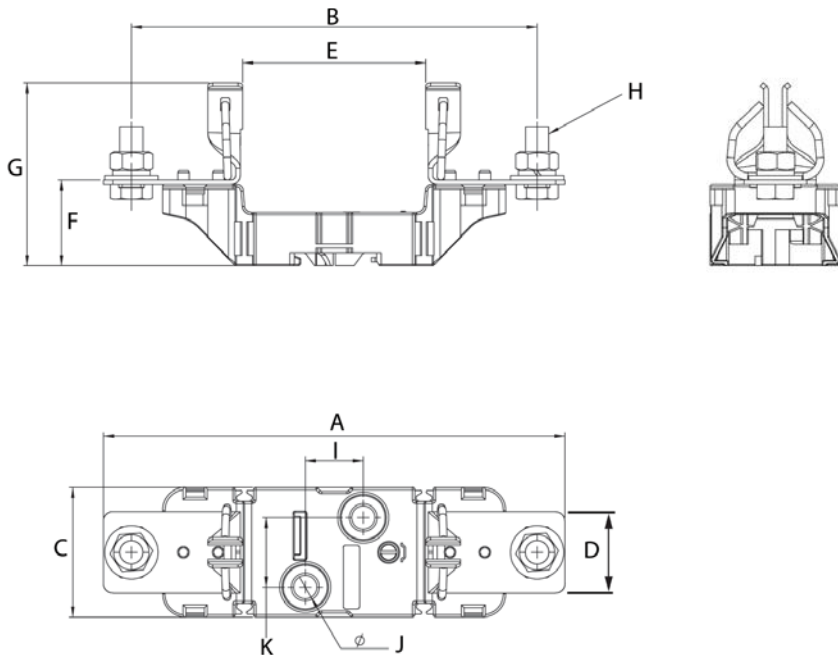
## SD and TD

### Dimensions - mm



#### 1-pole, size 00

Size	Pole	A	B	C	D	E	F	G	H	I	J
NH00	1-pole	120	102	35.5	20	56	24	51	M8x20	25	8

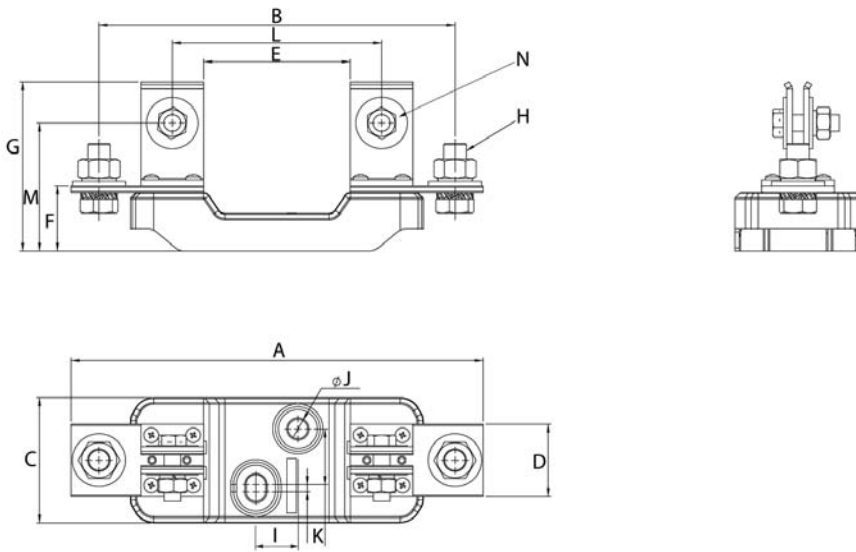


#### 1-pole, sizes 1, 2 and 3

Size	Poles/Type	A	B	C	D	E	F	G	H	I	J	K
NH1	1-pole	199	175	56	35	79	37	78	M10x25	25	10	30
NH2	1 pole	224	199	56	35	79	37.5	86	M10x25	25	10	30
	1-pole double clip	223	199	56	35	82	37	79	M10x25	25	10	30
NH3	1-pole	239	209	56	36	82	37.5	88	M12x30	25	10	30

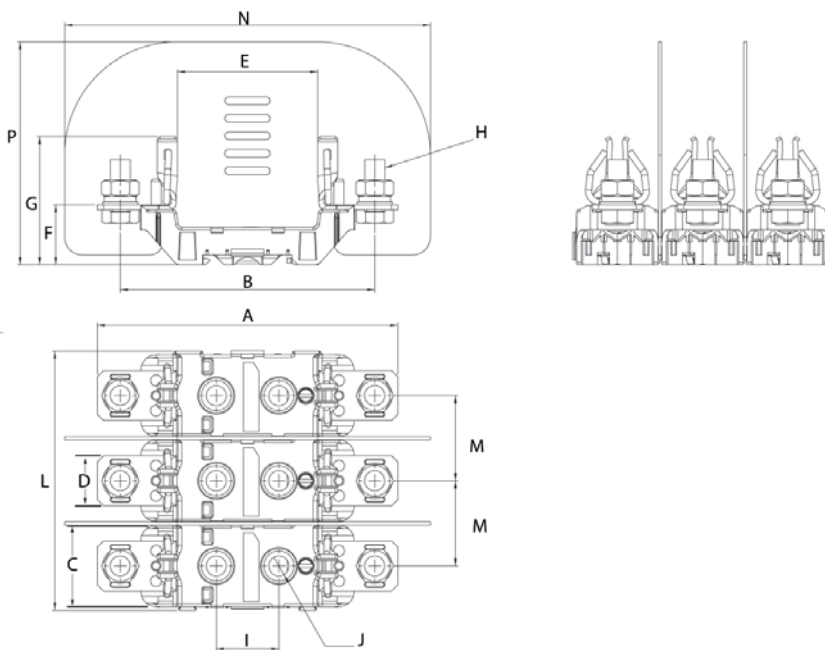
## SD and TD

### Dimensions - mm



#### 1-pole, size 4

Size	Poles/Type	A	B	C	D	E	F	G	H	I	J	K	L	M	N
NH4	1-pole 1250A	295	255	90	52	105	47	122	M16x40	30	14	40	150	92	M12x40
	1-pole 1600A	295	255	90	60	105	50	125	M16x40	30	14	40	150	92	M12x40

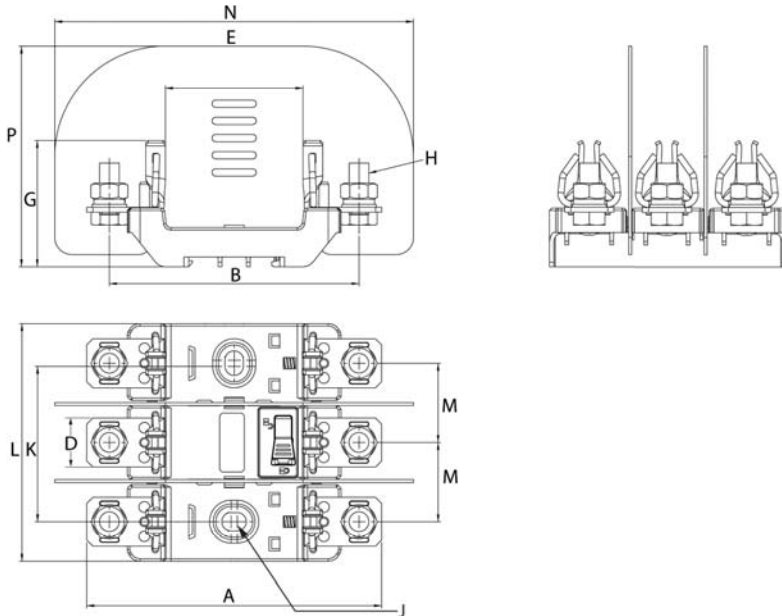


#### 3-pole, size 00

Size	Poles/Type	A	B	C	D	E	F	G	H	I	J	K	L	M	N	P
NH00	3-pole	120	102	35.5	20	56	24	51	M8x20	25	8	-	103.5	34	146	89

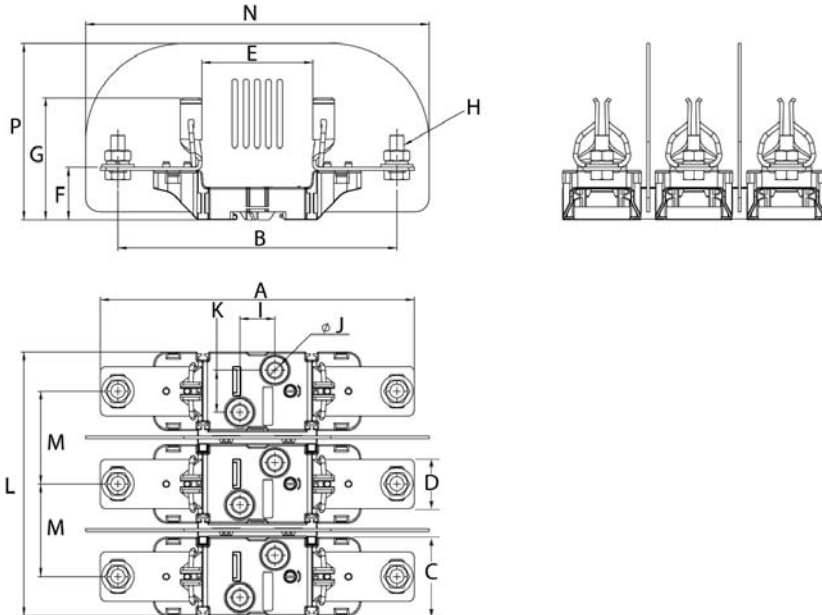
## SD and TD

### Dimensions - mm



#### Integral 3-pole, size 00

Size	Poles/Type	A	B	C	D	E	F	G	H	I	J	K	L	M	N	P
NH00	3-pole Integral	120	102	-	20	56	24	51	M8x20	-	7.5x10	63.5	97	32.3	146	90



#### 3-pole, sizes 1, 2 and 3

Size	Poles/Type	A	B	C	D	E	F	G	H	I	J	K	L	M	N	P
NH1	3-pole	199	175	56	35	79	37	78	M10x25	25	10	30	188	66	245	125.5
NH2	3-pole	224	199	56	35	79	37.5	86	M10x25	25	10	30	188	66	245	125.5
	3-pole double clip	223	199	56	35	82	37	79	M10x25	25	10	30	188	66	245	125.5
NH3	3-pole	239	209	56	36	82	37.5	88	M12x30	25	10	30	221	82.5	260	137.5

# NH Fuse gear

## EBF Vertical NH Fuse rails

### Specifications

#### Description

Eaton's Bussmann series NH Fuse rails are specifically designed to be used with NH Fuse links. All energized metal parts are fully protected against accidental contact. They are intended for direct installation on horizontal or vertical busbar systems.

#### Technical data

Rated voltage: 690 V a.c.

Rated current:

- 160 A size 00
- 400 A size 2
- 630 A size 3

#### Standard/agency information

IEC 60269-1 and CE.



### Product selection

Rated current Size (Amps)	Busbar system	Catalogue numbers	Cable terminals	Pack quantity	Weight	Compatible fuse links size
Vertical fuse rail for NH Size 00						
00	100 mm*	EBF00230S8	Bridge terminals with bridge clamps (S) 4 - 70 mm <sup>2</sup> , screw terminals with M8 screws	1	1 kg	00
		EBF00230V1	V-Terminals with V-Clamps 25 - 120 SW		1.1 kg	
		EBF00230V0	V Terminals without V-Clamps		1 kg	
	185mm	EBF00330S8	Bridge terminals with bridge clamps (S) 4 - 70 mm <sup>2</sup> , screw terminals with M8 screws	1	2 kg	
		EBF00330V1	V-Terminals with V-Clamps 25 - 120 SW		2.2 kg	
		EBF00330V0	V Terminals without V-Clamps		2 kg	
Vertical fuse rail suitable for NH Size 1 and size 2 fuses						
2	185 mm	EBF2330V1	V-Terminals with V-Clamps (35 - 240 mm <sup>2</sup> )	1	3.2 kg	1 and 2
		EBF2330M1	Screw terminals with pressed nuts M10 (M10 Screw)		3.1 kg	
		EBF2330W1	2V-Terminals with double V-Clamps (2 x 50 - 240 mm <sup>2</sup> )		3.8 kg	
Vertical fuse rail suitable for NH Size 3 fuses						
3	185 mm	EBF3330V1	V-Terminals with V-Clamps (70 - 300 SW)	1	4 kg	3
		EBF3330M1	Screw terminals with pressed nuts M12 (M12 Screw)		3.1 kg	
		EBF3330W1	2V-Terminals with double V-Clamps (2 x 50 - 240 mm <sup>2</sup> )		4.8 kg	

\* EBF 00 - 100 mm fuse rails are designed for installation onto 100 mm busbar systems. Installation onto a 185 mm busbar system is possible by using an adaptor

### Technical data

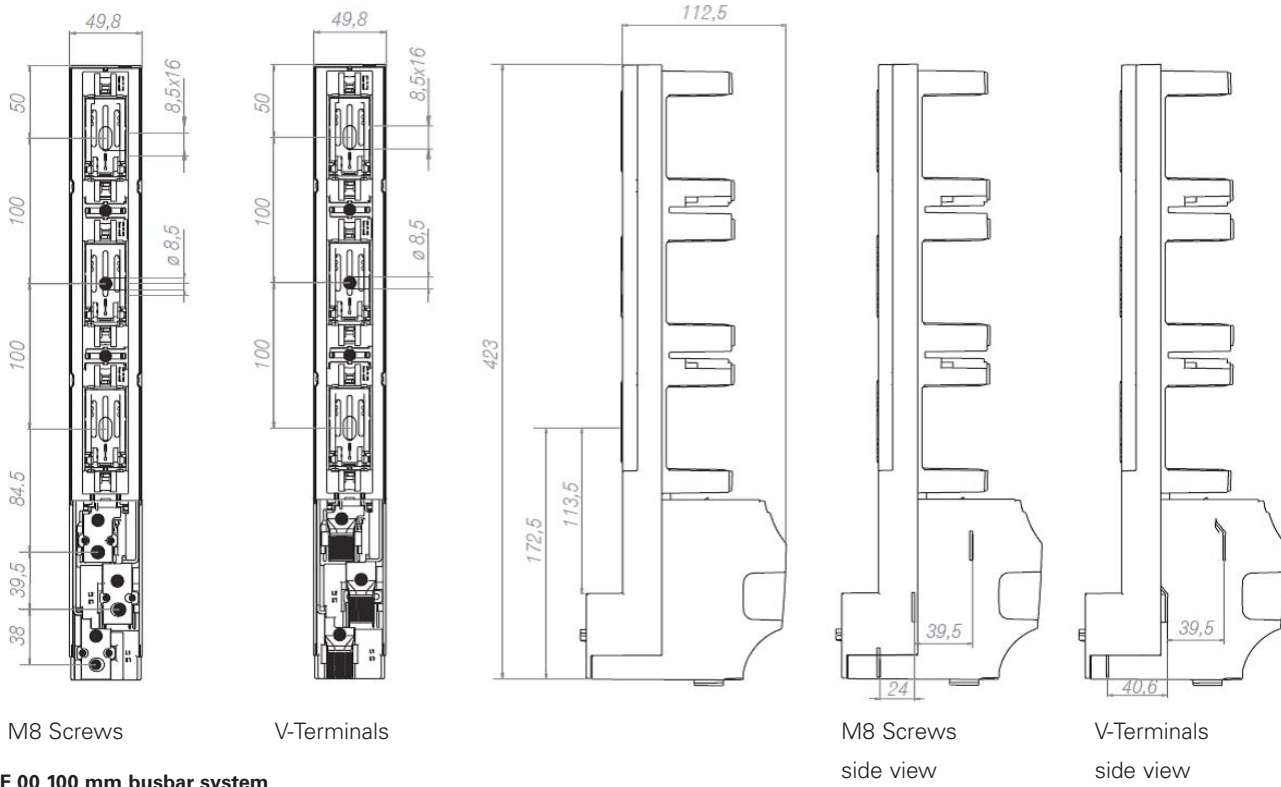
Type		EBF 00 100 mm	EBF 00 185 mm	EBF 2	EBF3
Size		00	00	2	3
Rated thermal Rated current $I_{th} = I_n$	A	160	160	400	630
Rated voltage $U_n$	V	690	690	690	690
Rated insulation Rated voltage $U_i$	V	1000	1000	1000	1000
Rated frequency	Hz	50 - 60	50 - 60	50 - 60	50 - 60
Rated power dissipation	W	12	12	45	60
Rated short-circuit withstand Rated current	kA	100	100	100	100
Mechanical durability	Number of cycles	100	100	100	100
Weight	kg	0.75	2	4.5	5
IP Degree of protection	IP	00	00	20 <sup>1</sup>	20 <sup>1</sup>
Size of fuse links		00	00	2	3

1 With fuse links shrouds

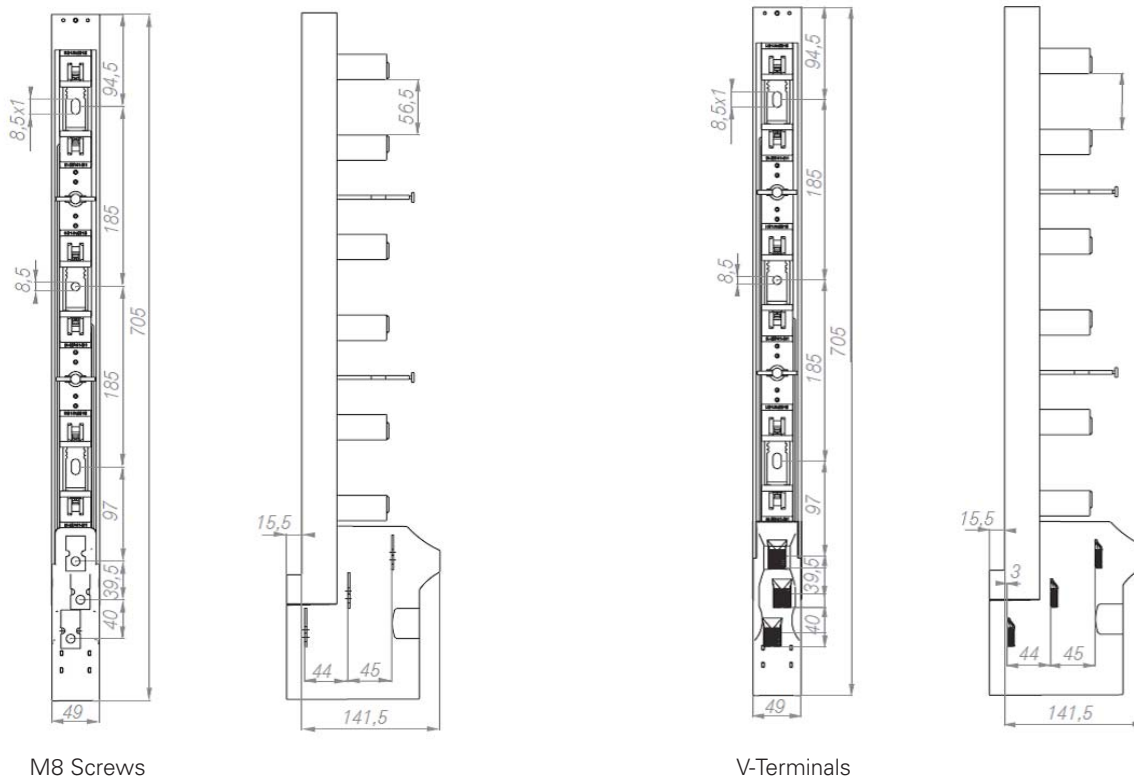
Data sheet 10240

## EBF Vertical NH Fuse rails

### Dimensions - mm



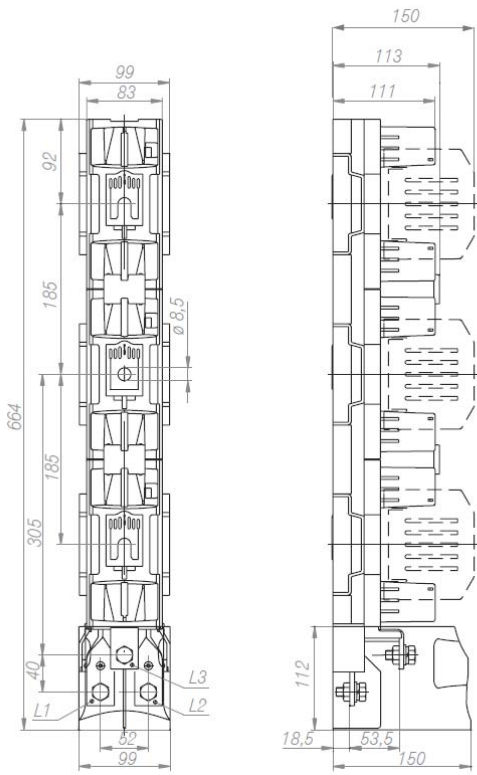
### EBF 00 100 mm busbar system



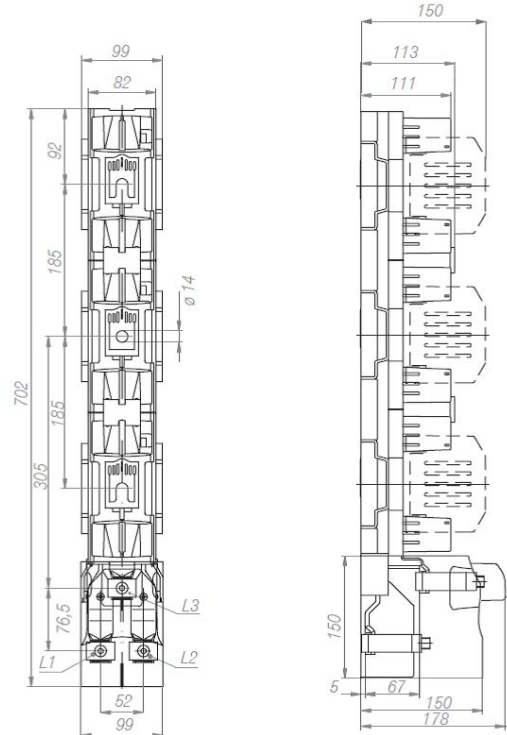
### EBF 00 185 mm busbar system

# EBF Vertical NH Fuse rails

## Dimensions - mm



**EBF 2 and 3**



**EBF 2 and 3 With terminals 2V (2 x 240 mm<sup>2</sup>)**

# EBV Vertical NH Fuse switch disconnectors

## Specifications

### Description

Eaton's Bussmann series NH Vertical fuse switch disconnectors are specifically designed to be used with NH Fuse links. All energized metal parts are fully protected against accidental contact. They are suitable for direct installation on horizontal or vertical busbar systems. The three poles can be switched independently or simultaneously depending upon the version. These are manually operated switches and the making and breaking is dependent on the speed of the operation. The Bussmann serie EBV NH gear range is provided complete with the clamps(i.e. screws V-terminals/2V-terminals) and shrouds for cable termination.



### Technical data

- Rated voltage: 690 V a.c.
- Rated current: 160 to 910 A
- Utilisation category:
  - AC21B 690 V a.c. Size 3
  - AC22B 500 V a.c. Sizes 00 to 3
  - AC23B 400 V a.c. Size 00 to 3.

### Standard/agency information

IEC 60947-1 and 3, EN 60947-1 and 3

### Technical data

Type		EBV 00/ 100 mm	EBV 00	EBV 2	EBV 3
Rated thermal Rated current with fuse links $I_{th} = I_n$	A	160	160	400	630
Rated thermal Rated current with solid links $I_{th}$	A	N/A	N/A	600	750
Rated voltage $U_n$	V	690	690	690	690
Utilisation category	690 V a.c.	AC-22B	AC-22B	AC-22B	AC-21B
	500 V a.c.	N/A	N/A	N/A	AC-22B
	400 V a.c.	AC-23B	AC-23B	AC-23B	AC-23B
Rated switching Rated current $I_e$	A	160	160	400	630
Rated short-circuit making Rated current	690 V a.c.	25	80	100	80
	500 V a.c.	25	N/A	100	100
	400 V a.c.	25	100	100	100
Rated short-circuit withstand Rated current	690 V a.c.	100	80	100	80
	500 V a.c.	100	N/A	100	100
	400 V a.c.	100	100	100	100
Rated insulation Rated voltage $U_i$	V	1000	1000	1000	1000
Rated impulse withstand Rated voltage $U_{imp}$	kV	8	12	12	12
Rated short time withstand Rated current $I_{cw}$	kA	N/A	N/A	12 <sup>2</sup> / 15 <sup>3</sup>	14 <sup>2</sup> / 16 <sup>3</sup>
Rated frequency	Hz	50/60	50/60	50/60	50/60
Mechanical durability	No. of cycles	1600	1600	1000	1000
Electrical durability		200	200	200	200
IP Rating	IP	30	20	30	30
Fuse links size		00	00	1, 2	3

1: fuse link gTr 630 kVA, DIN 43620, VDE 0636/2011 Rated voltage

2 For disconnectors 1-phase disconnected

3: For disonnectors 3-phase disconnectors



## EBV Vertical NH Fuse switch disconnectors

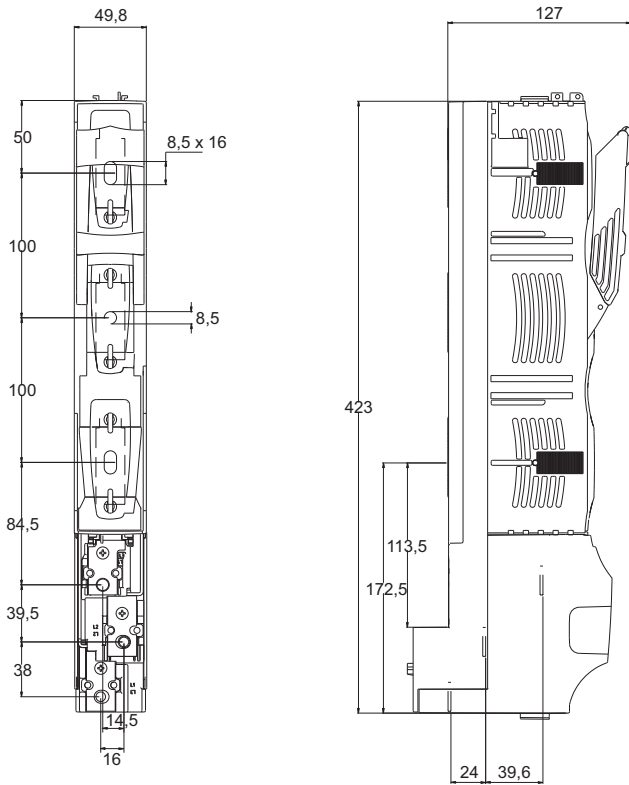
### Product selection

Size	Rated current (Amps)	Busbar System	Catalogue numbers	Cable terminals	Pack quantity	Weight	Compatible fuse links size
Vertical fuse switch disconnecter for NH Size 00 for 100 mm busbar system - simultaneous 3 phase switching							
00	160	100	EBV0023TS8	Bridge terminals with bridge clamps (s) 4-70mm <sup>2</sup> , screw terminals with M8 screws	1	1.3 kg	00
			EBV00023TV1	V-terminals with V-clamps 25-120SW		1.5 kg	
			EBV0023TV0	V-terminals, without V-clamps		1.3 kg	
Vertical fuse switch disconnecter for NH Size 00 for 185 mm busbar system - each phase switching separately							
00	160	185	EBV0033SS8	Bridge terminals with bridge clamps (s) 4-70 mm <sup>2</sup> , screw terminals with M8 screws	1	2.8 kg	00
			EBV0033SV1	V-terminals with V-clamps 25-120SW		2.9 kg	
			EBV0033SV0	V-terminals, without V-clamps		2.8 kg	
Vertical fuse switch disconnecter for NH Size 00 for 185 mm busbar system - simultaneous 3 phase switching							
00	160	185	EBV0033TS8	Bridge terminals with bridge clamps (s) 4-70 mm <sup>2</sup> , screw terminals with M8 screws	1	2.7 kg	00
			EBV0033TV1	V-terminals with V-clamps 25-120SW		2.8 kg	
			EBV0033TV0	V-terminals without V-clamps		2.7 kg	
Vertical fuse switch disconnecter for NH Sizes 1 and 2 for 185 mm busbar system - each phase switching separately							
2	400	185	EBV233SV1	V-terminals with V-clamps 240 mm <sup>2</sup>	1	5.8 kg	1 and 2
			EBV233SM1	Screw terminals with pressed nuts M10		5.7 kg	
			EBV233SW1	2V-terminals with double clamps 240 mm <sup>2</sup>		6.4 kg	
			EBV233SV0	V-terminals without V-clamps		5.5 kg	
			EBV233SW0	2V-terminals without double V-clamps		6.9 kg	
Vertical fuse rail suitable for NH Sizes 1 and 2 fuses for 185mm busbar system - simultaneous 3 phase switching							
2	400	185	EBV233TV1	V-terminals with V-clamps 240 mm <sup>2</sup>	1	5.8 kg	1 and 2
			EBV233TM1	Screw terminals with pressed nuts M10		5.7 kg	
			EBV233TW1	2V-terminals with double V-clamps 240 mm <sup>2</sup>		6.4 kg	
			EBV233TV0	V-terminals without V-clamps		5.5 kg	
			EBV233TW0	2V-terminals without double V-clamps		6.9 kg	
Vertical fuse rail suitable for NH size 3 fuses for 185mm busbar system - each phase switching separately							
3	630	185	EBV333SV1	V-terminals with V-clamps 240 mm <sup>2</sup>	1	6.6 kg	3
			EBV333SM2	Screw terminals with pressed nuts M12		6.5 kg	
			EBV333SW1	2V-terminals with double V-clamps 240mm <sup>2</sup>		7.2 kg	
			EBV333SV0	V-terminals without V-clamps		6.3 kg	
			EBV333SW0	2V-terminals without double V-clamps		6.7 kg	
Vertical fuse rail suitable for NH size 3 fuses for 185 mm busbar system - simultaneous 3 phase switching							
3	630	185	EBV333TV1	V-terminals with V-clamps 240 mm <sup>2</sup>	1	6.6 kg	3
			EBV333TM2	Screw terminals with pressed nuts M12		6.5 kg	
			EBV333TW1	2V-terminals with double V-clamps 240 mm <sup>2</sup>		7.2 kg	
			EBV333TV0	V-terminals without V-clamps		6.3 kg	
			EBV333TW0	2V-terminals without double V-clamps		6.7 kg	

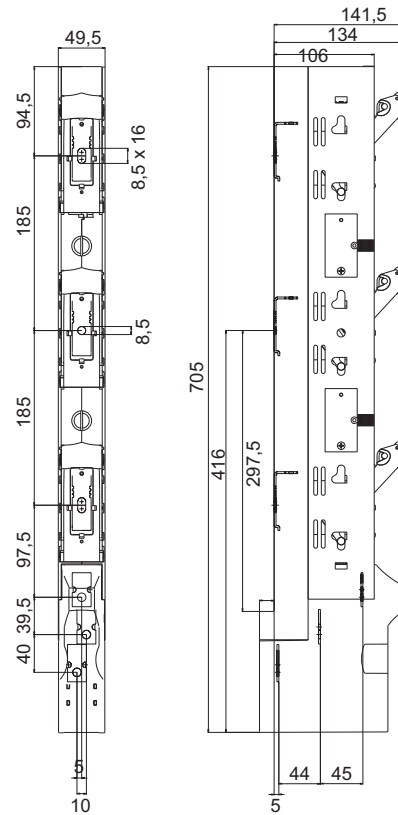
Data sheet 10275

# EBV Vertical NH Fuse switch disconnectors

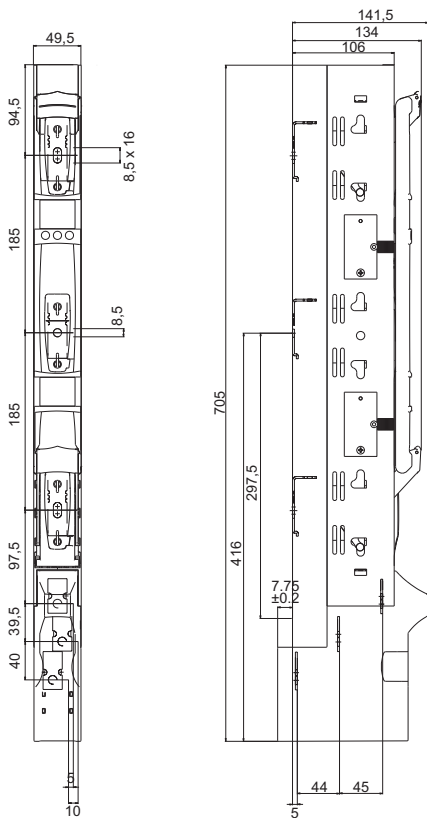
## Dimensions - mm



EBV 00 100 mm



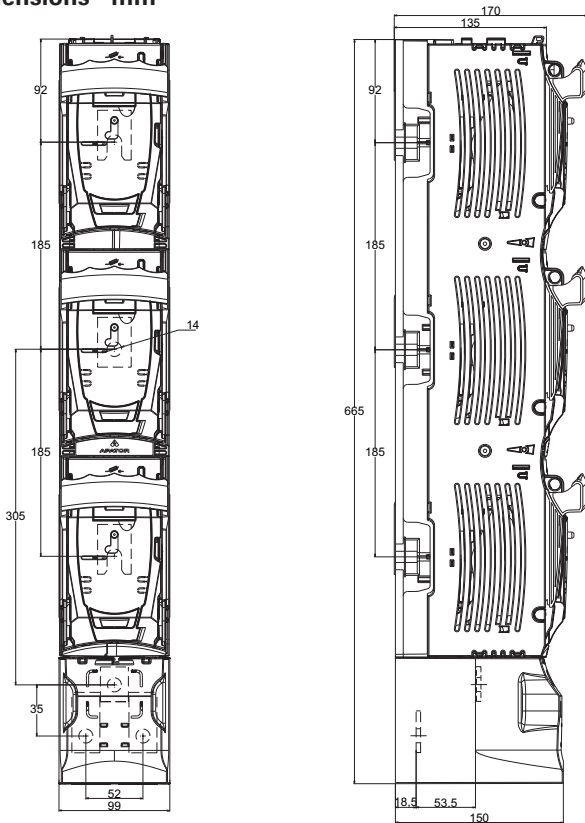
EBV 00 (each phase switching separately)



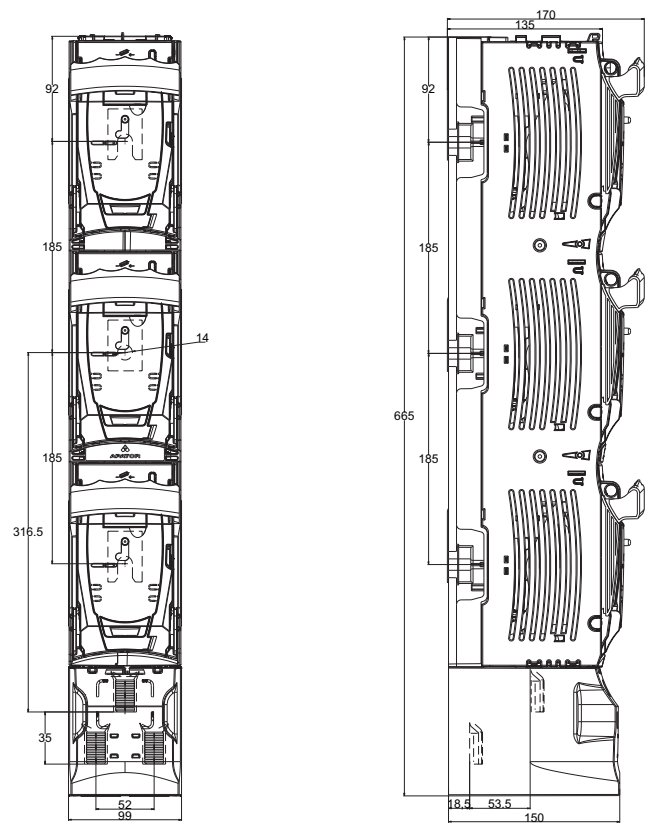
EBV 00 (Three phase switching simultaneously)

# EBV Vertical NH Fuse switch disconnectors

## Dimensions - mm

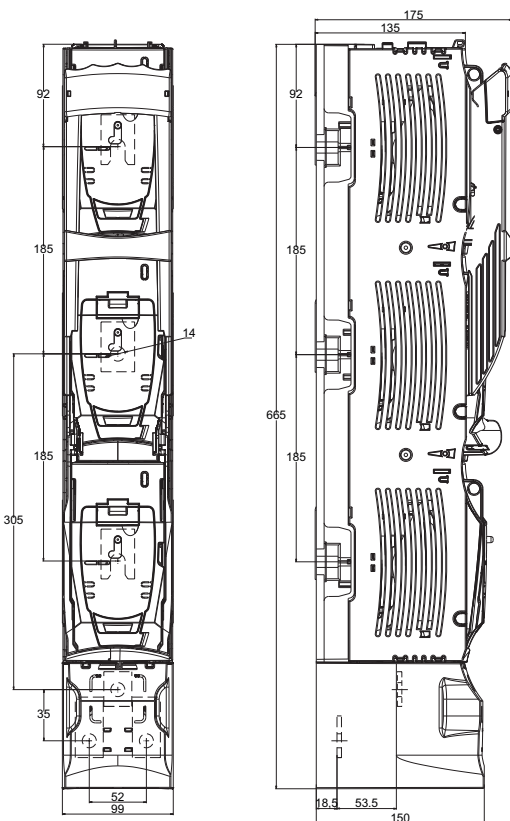


M12 Screws

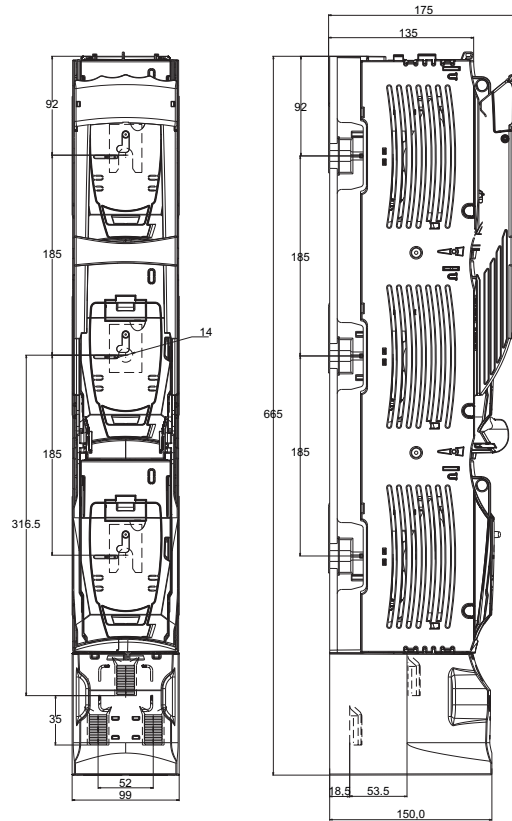


V-Terminals

## EBV 2 (Each phase switching separately)



M12 Screws



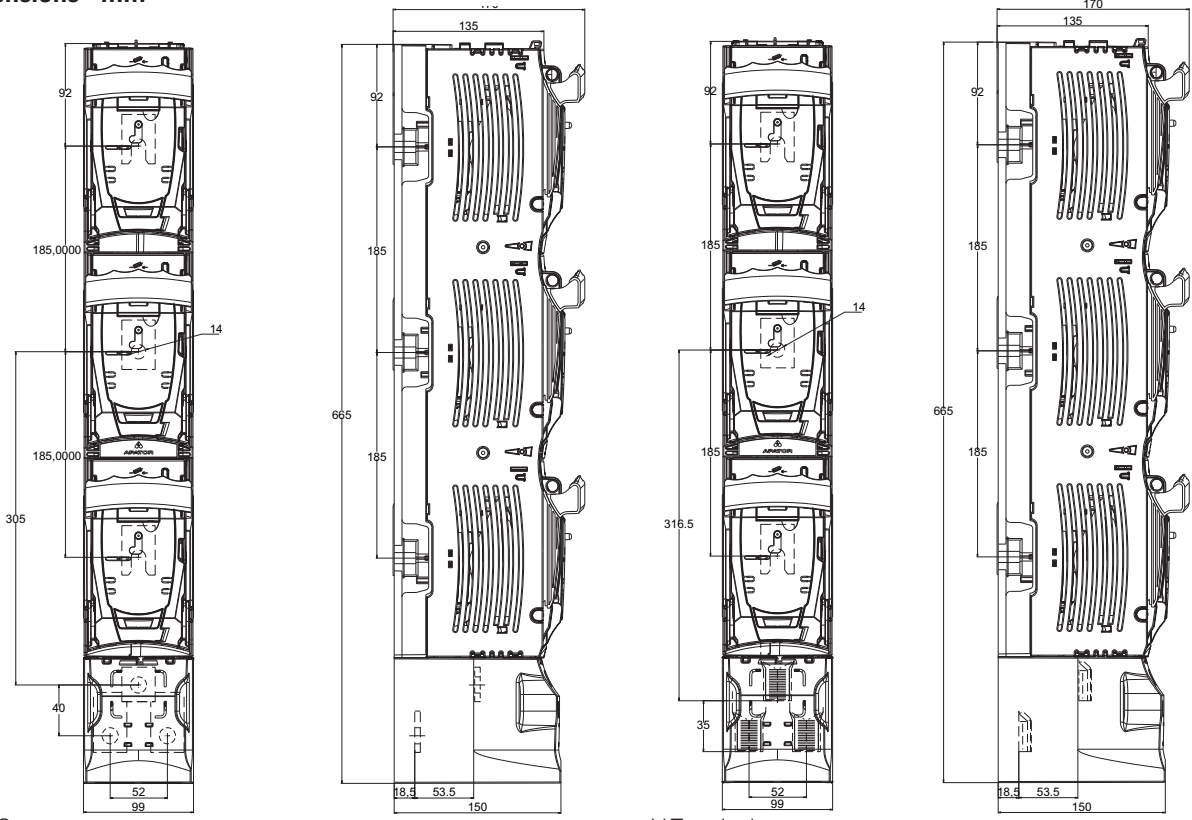
V-Terminals

## EBV 2 (Three phase switching simultaneously)

Data sheet 10275

# EBV Vertical NH Fuse switch disconnectors

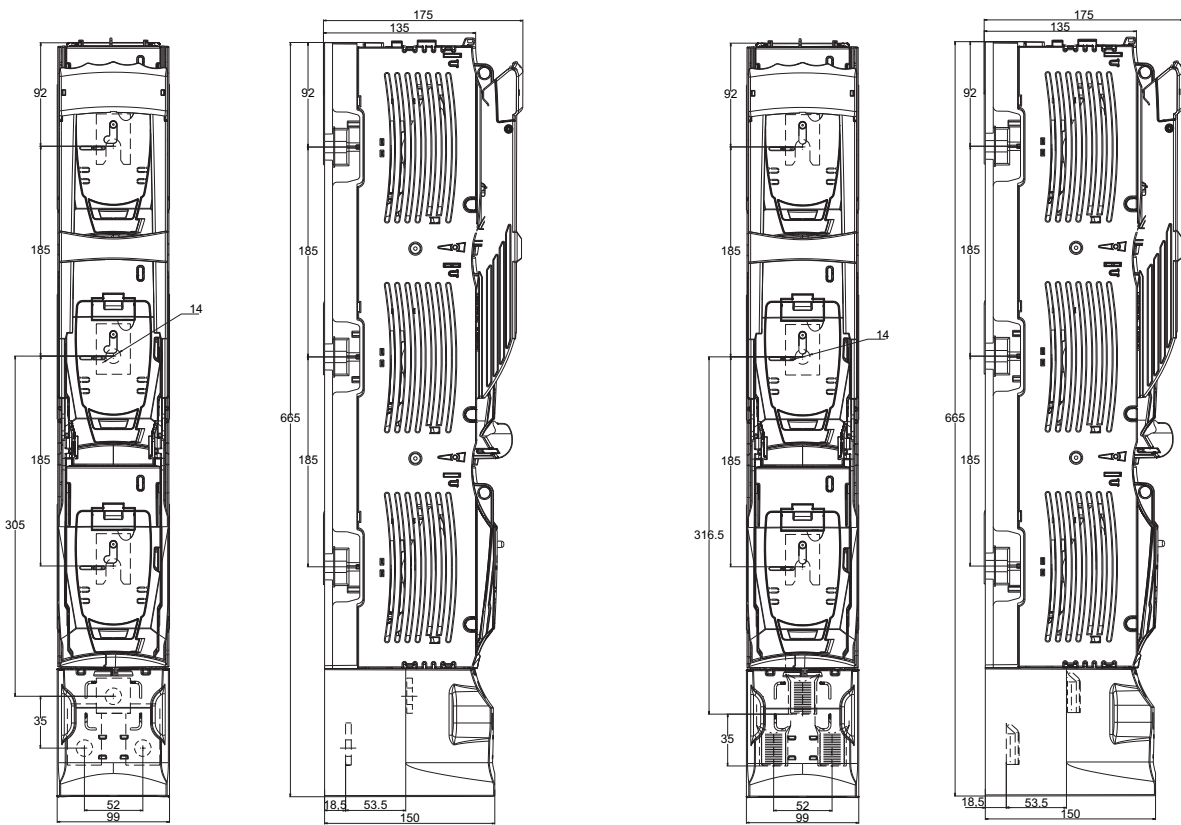
## Dimensions - mm



M12 Screws

V-Terminals

## EBV 3 (One phase)



M12 Screws

V-Terminals

## EBV 3 (Three phase)

Data sheet 10275

## EBH000 Horizontal fuse switch disconnectors

### Specifications

#### Description

Eaton's Bussmann series EBH000 NH Horizontal fuse switch disconnecter is specifically designed to be used with size 000 NH Fuse links up to 160 A. They have compact dimensions, all energized metal parts are fully protected against accidental contact. These are manually operated switches and the making and breaking is dependent on the speed of the operation.

#### Technical data

- Rated voltage: 690 V a.c.
- Rated current: 160 A
- Utilisation category:
  - AC21B
  - AC22B
  - AC23B
  - DC21B



#### Standard/agency information

- IEC 60947-1 and 3, EN 60947-1 and 3

#### Product selection

Size	Rated current (Amps)	Busbar system	Catalogue numbers	Cable terminals	Pack quantity	Compatible fuse links size
Horizontal fuse switch disconnecter for NH size 000 up to 160 A for installation on mounting plates						
000	160	N/A	EBH00003TS5	for connection of round conductors - S-bridge clamps	1	000 up to 160 A
			EBH00003TS5-D	for connection of round conductors - S-bridge clamps, option to install on DIN rail		
			EBH00003TM8	for connection of round conductors with lug terminals - M8 screws		
			EBH00003TM8-D	for connection of round conductors with lug terminals - M8 screws, option to install on DIN rail		
			EBH00003TS5L	for connection of round conductors - S-bridge clamps, lengthened terminal shrouds		
			EBH00003TM8L	for connection of round conductors with lug terminals - M8 screws, lengthened terminal shrouds		
Horizontal fuse switch disconnecter for NH size 000 up to 160 A for installation on 60 mm busbar						
000	160	60 mm	EBH00013TBS5	Cable terminal – bottom, for connection of round conductors - S-bridge clamps	1	000 up to 160 A
			EBH00013TTS5	Cable terminal – top, for connection of round conductors - S-bridge clamps		
			EBH00013TBM8	Cable terminal – bottom, for connection of conductors with lug terminals - M8 screws		
			EBH00013TTM8	Cable terminal – top, for connection of conductors with lug terminals - M8 screws		

Data sheet 10292

# EBH000 Horizontal fuse switch disconnectors

## Technical data

		EBH 000				
Rated thermal Rated current with solid links $I_{th}$	A	160				
Rated voltage $U_n$	V	690				
Utilisation category		AC-23B	AC-22B	AC-22B	AC-21B	DC-21B
Rated switching Rated current $I_b$	A	100	100	160	160	160
Rated switching Rated voltage $U_b$	V	400	690	400	690	250
Rated short circuit making Rated current	690 V	100	100	100	100	100
Rated short-circuit withstand Rated current	690 V	25	25	25	25	25
Rated insulation Rated voltage $U_i$	V	1000	1000	1000	1000	1000
Rated power dissipation	W	12	12	12	12	12
Rated impulse withstand Rated voltage $U_{imp}$	kV	8	8	8	8	8
Rated frequency	Hz	50-60	50-60	50-60	50-60	50-60
Mechanical durability	Nb of cycles	2000	2000	2000	2000	2000
Electrical durability	Nb of cycles	300	300	300	300	300
IP Rating		IP20	IP20	IP20	IP20	IP20
Fuse links size		000	000	000	000	000



DIN-Rail

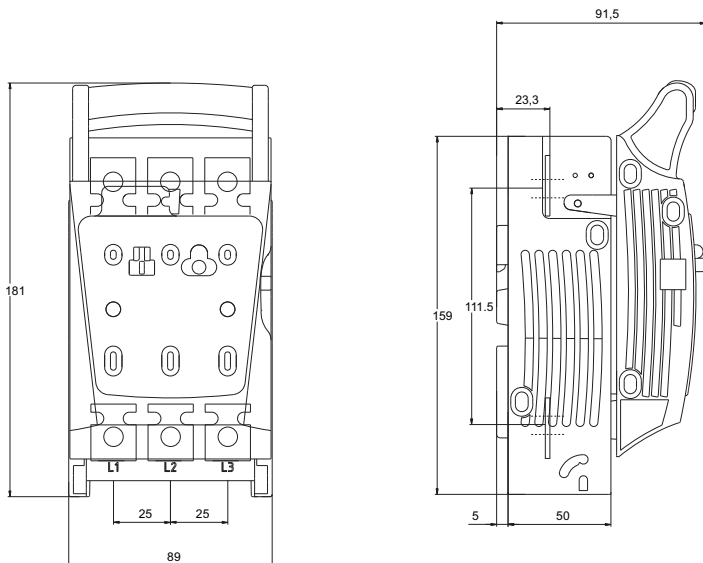


Mounting plates



Busbar

## Dimensions - mm



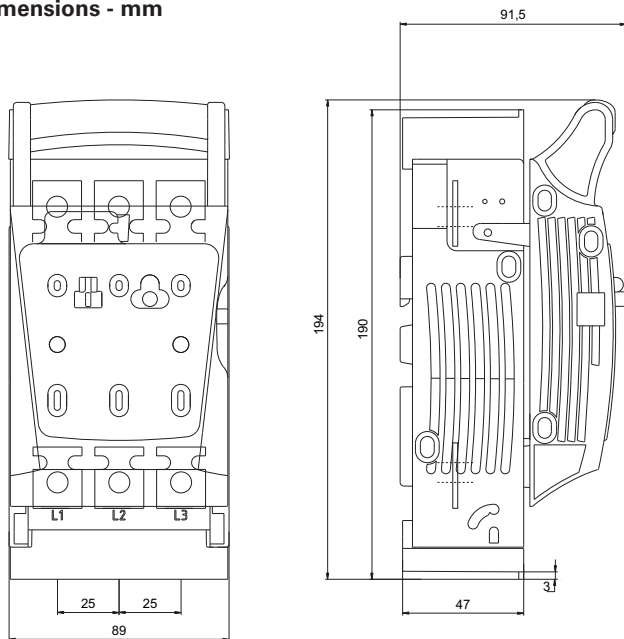
On mounting plates

## EBH000

Data sheet 10292

## EBH000 Horizontal fuse switch disconnectors

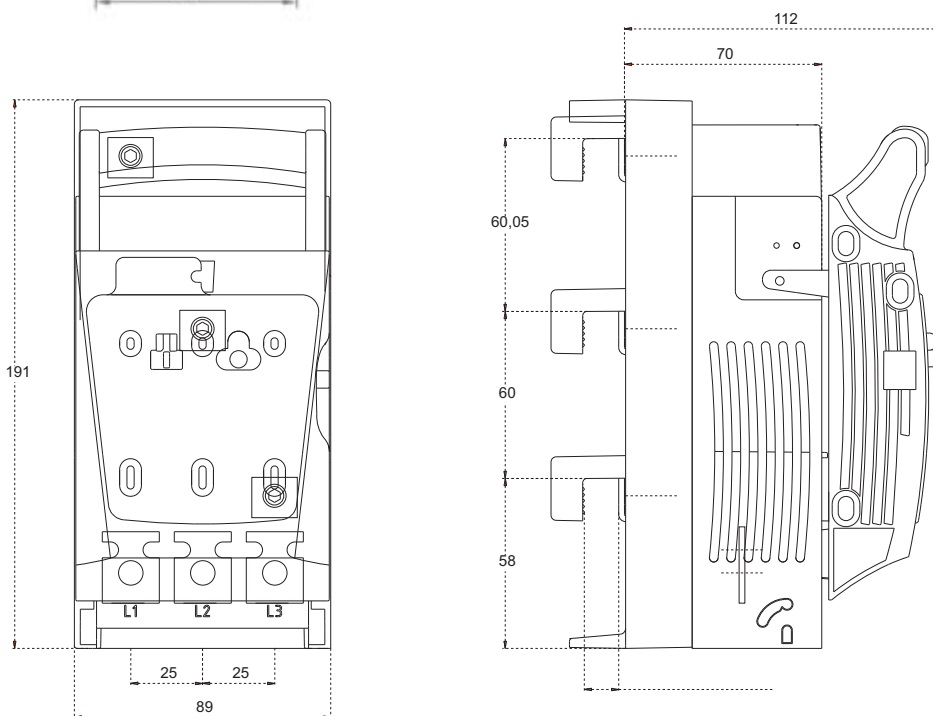
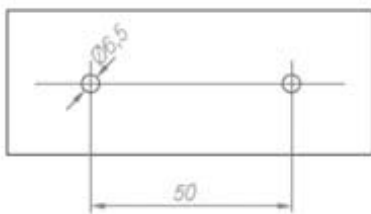
### Dimensions - mm



With extended terminal shrouds

### EBH000

#### Dimensions and spacing of holes for installation on EBH000 O on mounting plates



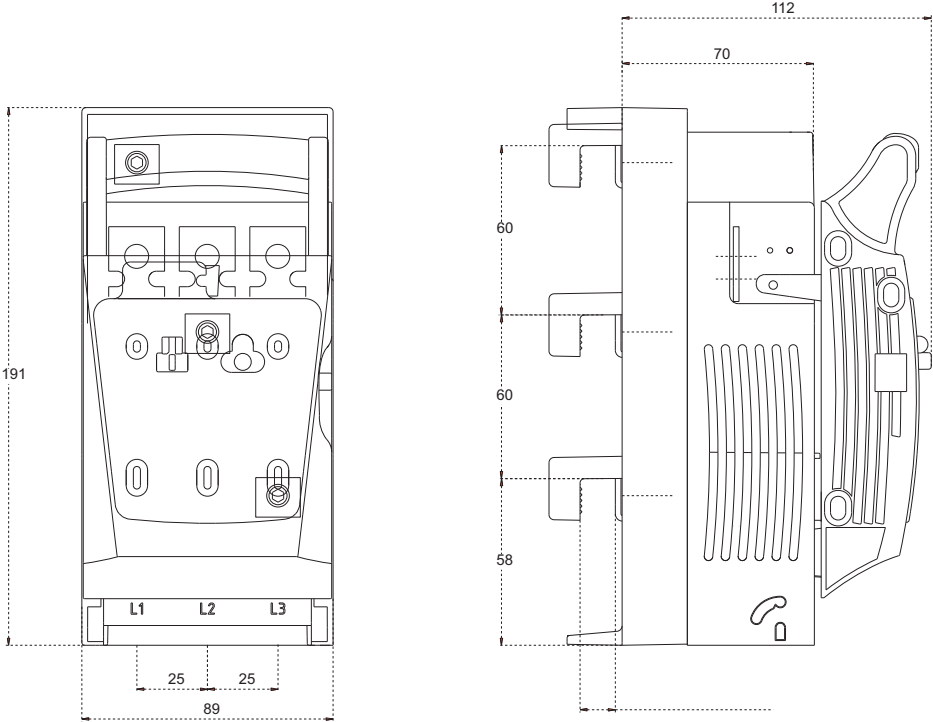
Bottom cable terminal

### EBH000 (60 mm busbar mounting)

Data sheet 10292

# EBH000 Horizontal fuse switch disconnectors

## Dimensions - mm



Top cable terminal

Data sheet 10292



# EBH00 to 4 Horizontal fuse switch disconnectors

## Specifications

### Description

Eatons' Bussmann series NH horizontal fuse switch disconnectors are specifically designed to be used with NH fuse links. All energised metal parts are fully protected against accidental contact. These are manually operated switches and the making and breaking is dependent on the speed of the operation. The Bussmann series EBV NH gear range is provided complete with the clamps (i.e. screws/V-terminals/2V-terminals) and cable for shrouds for cable termination.

### Technical data

- Rated voltage: 400, 500 and 690 V a.c.
- Rated current: 160 to 1600 A
- Utilisation category:
  - AC21B Size 4
  - AC22B Sizes 00 (V 120), 1-S, 3, 4
  - AC23B Sizes 00 to 2
  - DC21B Sizes 00, 2 and 3
  - DC21B Sizes 00, 1 and 2

### Standard/agency information

- IEC 60947-1 and 3, EN 60947-1 and 3



### Product selection

Size	Rated current (Amps)	Busbar system	Catalogue numbers	Cable terminals	Pack quantity	Compatible fuse links size
Horizontal fuse switch disconnector for NH size 00 for installation on mounting plates						
00	160	N/A	EBH0003TS5	For connection of round conductors	1	00
			EBH0003TM8	For connection of conductors with lug terminals		
			EBH0003TV1	For connection of sector-shaped conductors		
			EBH0003TS5L	For connection of round conductors, lengthened terminal shrouds		
			EBH0003TM8L	For connection of conductors with lug terminals, lengthened terminal shrouds		
			EBH0003TV1L	For connection of sector-shaped conductors, lengthened terminal shrouds		
Horizontal fuse switch disconnector for NH size 00 for installation on 60 mm busbar						
00	160	60 mm	EBH0013TBM8	Cable terminal - bottom, for connection of conductors with lug terminals	1	00
			EBH0013TTM8	Cable terminal - top, for connection of conductors with lug terminals		
			EBH0013TBF	Cable terminal - top, for connection of conductors with bare ends		
			EBH0013TTF	Cable terminal - bottom, for connection of conductors with bare ends frame clamps		
Horizontal fuse switch disconnector for NH size 1 for installation on mounting plates						
1	250	N/A	EBH103TS8	For connection of round conductors - S-bridge clamps	1	1
			EBH103TM1	For connection of conductors with lug terminals - screws		
			EBH103TV1	For connection of sector-shaped conductors V-clamps		
			EBH103TVS	For connection of round conductors, top terminals, V-terminals, bottom terminals, S-bridge terminals		
			EBH103TVM	For connection of round conductors, top terminals, V-terminals, bottom terminals, screw terminals		
			EBH103TSV	For connection of round conductors, top terminals, S-bridge terminals, bottom terminals, V-terminals		
			EBH103TMV	For connection of round conductors, top terminal, screw terminals, bottom terminals, V-terminals		

Data sheet 10293

## EBH00 to 4 Horizontal fuse switch disconnectors

Size	Rated current (Amps)	Busbar system	Catalogue numbers	Cable terminals	Pack quantity	Compatible fuse links size
Horizontal fuse switch disconnecter for NH size 1 for installation on 60 mm busbar						
1	250	60 mm	EBH113TTS8	Top cable terminals, for connection of round conductors, S-bridge clamps	1	1
			EBH113TBS8	Bottom cable terminals, for connection of round conductors, S-bridge clamps		
			EBH113TBM1	Bottom cable terminals, for connection of conductors with lug terminals - screws		
			EBH113TTV1	Top cable terminals, for connection of sector-shaped conductors - V-clamps		
			EBH113TBV1	Bottom cable terminals for connection of sector-shaped conductors - V-clamps		
Horizontal fuse switch disconnecter for NH size 1 for installation on 100 mm busbar						
1	250	100 mm	EBH123TTS8	Top cable terminals, for connection of round conductors	1	1
			EBH123TBS8	Bottom cable terminals, for connection of round conductors - S-bridge clamps		
			EBH123TTM1	Top cable terminals, for connection of conductors, with lug terminals - screws		
			EBH123TBM1	Bottom cable terminals, for connection of conductors, with lug terminals - screws		
			EBH123TTV1	Top cable terminals, for connection of sector shaped conductors - V-clamps		
			EBH123TBV1	Bottom cable terminals for connection		
Horizontal fuse switch disconnecter for NH size 2 for installation on mounting plates						
2	400	N/A	EBH203TS8	For connection of round conductors - S-bridge clamps	1	2
			EBH203TM1	For connection of conductors with lug terminals - M10 screws		
			EBH203TV1	For connection of sector-shaped conductors - V-clamps		
			EBH203TW1	For connection of sector-shaped conductors - double V-clamps		
Horizontal fuse switch disconnect for NH size 2 for installation on 60 mm busbar						
2	400	60	EBH213TBM1	Bottom cable terminals, for connection of conductors with lug terminals, M10 screws	1	2
			EBH213TTM1	Top cable terminals, for connection of conductors with lug terminals, M10 screws		
			EBH213TBV1	Bottom cable terminals, for connection of sector-shaped conductors, V-clamps		
			EBH213TTV1	Top cable terminals, for connection of sector shaped conductors, V-clamps		
			EBH213TBW1	Bottom cable terminals, for connection of sector shaped conductors, double V-clamps		
			EBH213TTW1	Top cable terminals, for connection of sector shaped conductors, double V-clamps		
Horizontal fuse switch disconnecter for NH size 2 for installation on 100 mm busbar						
2	400	100 mm	EBH223TBM1	Bottom cable terminals, for connection of conductors with lug terminals, M10 screws	1	2
			EBH223TTM1	Top cable terminals, for connection of conductors with lug terminals, M10 screws		
			EBH223TBV1	Bottom cable terminals, for connection of sector shaped conductors , V-clamps		
			EBH223TTV1	Top cable terminals, for connection of sector shaped conductors, V-clamps		
			EBH223TBW1	Bottom cable terminals, for connection of sector shaped conductors, double V-clamps		
			EBH223TTW1	Top cable terminals, for connection of sector shaped conductors, double V-clamps		
Horizontal fuse switch disconnecter for NH size 3 for installation on mounting plates						
3	630	N/A	EBH303TS8	For connection of round conductors, S-bridge clamps	1	3
			EBH303TM2	For connection of conductors with lug terminals, M12 screws		
Horizontal fuse switch disconnecter for NH size 3 for installation on 60 mm busbar						
3	630	60 mm	EBH313TM2	For installation on to 60 mm busbar system, top/bottom cable terminals, M12 screws	1	3
Horizontal fuse switch disconnecter for NH size 4 for installation on mounting plates						
4a	1250	N/A	EBH403TM2-12	Three phase switching simultaneously	1	4
	1600		EBH403TM2-16	Three phase switching simultaneously		
	1250		EBH403SM2-12	Each phase switching simultaneously		
	1600		EBH403SM2-16	Each phase switching simultaneously		

Data sheet 10293

## EBH00 to 4 Horizontal fuse switch disconnectors

### Technical data - sizes 00, 1 and 2

		EBH 00			EBH 1			EBH 2		
Rated thermal Rated current with solid links $I_{th}$	A	160			250			400		
Rated voltage $U_n$	V	690			690			690		
Utilisation category		AC-23B	DC-21B	DC-22B	AC-23B	AC-22B	DC-22B	AC-23B	DC-21B	DC-22B
Rated switching Rated current $I_g$	A	160	160	160	250	250	250	400	400	400
Rated switching Rated voltage $U_g$	V	690	440	250	400	690	250	690	440	220
Rated short circuit making Rated current	690 V	80	20	20	80	80	25	80	15	20
	400 V	100	20	20	100	100	25	100	15	20
Rated short-circuit withstand Rated current	690 V	80	20	20	80	80	25	80		
	400 V	100	20	20	100	100	25	100		
Rated insulation Rated voltage $U_i$	V	1000			1000			1000		
Rated power dissipation	W	12			32			45		
Rated impulse withstand Rated voltage $U_{imp}$	kV	8			8			12		
Rated frequency	Hz	50-60	N/A	N/A	50-60	50-60	N/A	50-60	N/A	N/A
Mechanical durability	No of cycles	1600			1600			1000		
Electrical durability		200			200			200		
IP Rating	IP	20			30			20		
Weight	kg	0.7, 0.9			2.5			3 / 4.5		
Fuse links size		00			1			2		

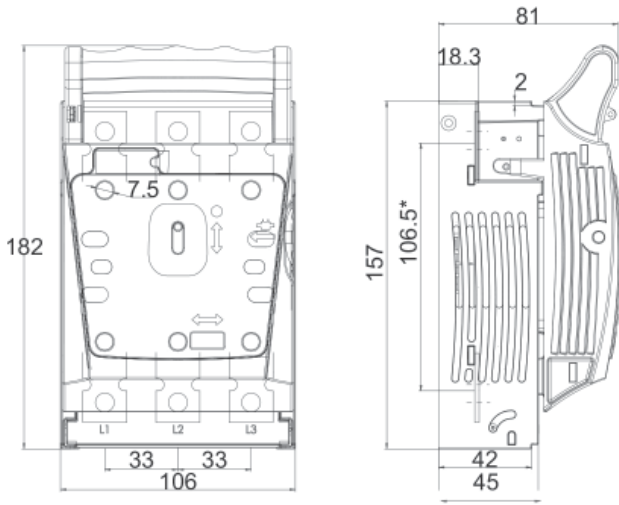
### Technical data - sizes 3 and 4a

		EBH 3		EBH4a	
Rated thermal Rated current with solid links $I_{th}$	A	630		1250	1600
Rated voltage $U_n$	V	690		500	400
Utilisation category		AC-22B	DC-21B	AC-22B	AC-21B
Rated switching Rated current $I_g$	A	630	630	1250	1600
Rated switching Rated voltage $U_g$	V	690	250	500	400
Rated short circuit making Rated current	690 V	100	100		
	400 V	100	100		
Rated short-circuit withstand Rated current	690 V	25			
	400 V	25		50	
Rated insulation Rated voltage $U_i$	V	1000		800	
Rated power dissipation	W	60			
Rated impulse withstand Rated voltage $U_{imp}$	kV	12		8	
Rated frequency	Hz	50-60	N/A	50-60	
Mechanical durability	No of cycles	1000			
Electrical durability		200			
IP Rating	IP	20			
Weight	kg	5 / 5.9			
Fuse links size		3		4a	

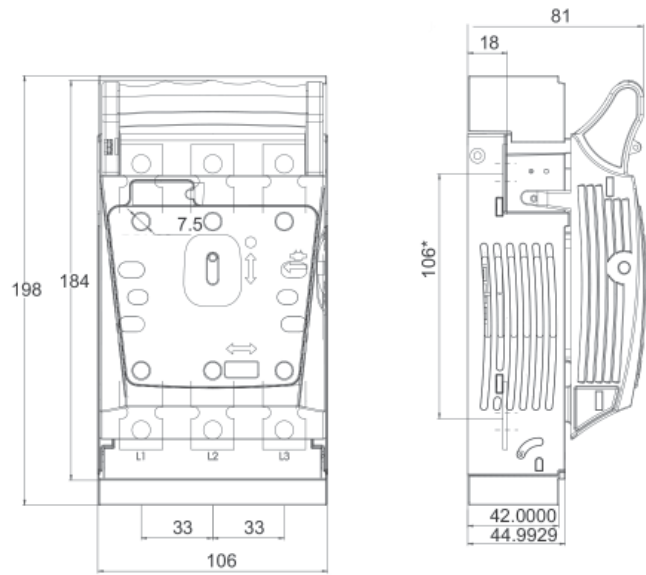
Data sheet 10293

# EBH00 to 4 Horizontal fuse switch disconnectors

## Dimensions (mm)



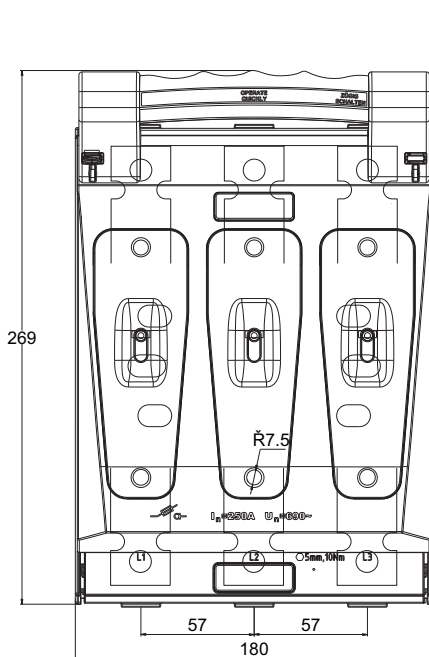
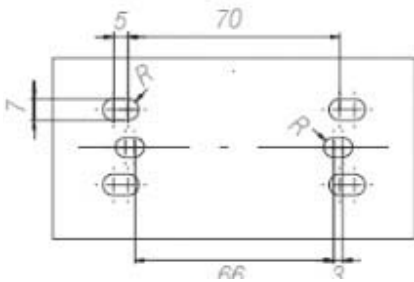
Without extended terminals



With extended terminals

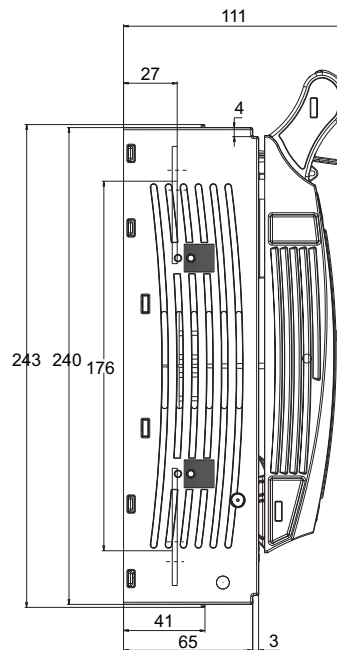
## For EBH00 suitable for installation on mounting plates

## Dimensions and spacing holes for installation on mounting plates



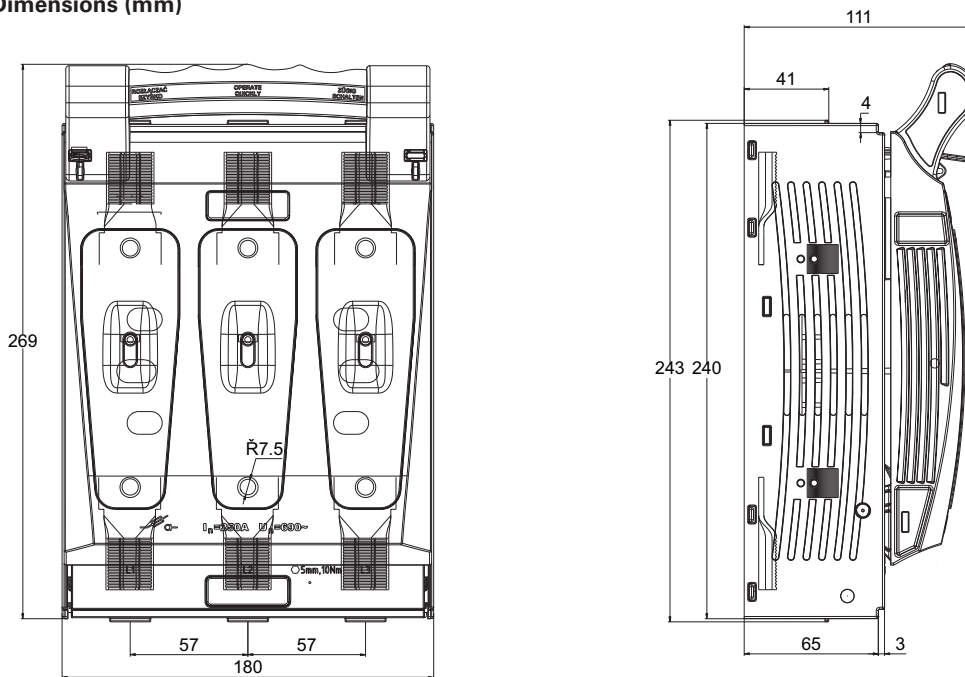
Screw terminals

## For EBH1 suitable for installation on mounting plates



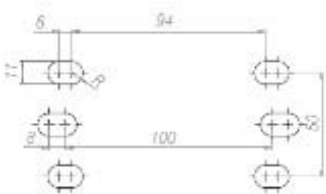
## EBH00 to 4 Horizontal fuse switch disconnectors

### Dimensions (mm)

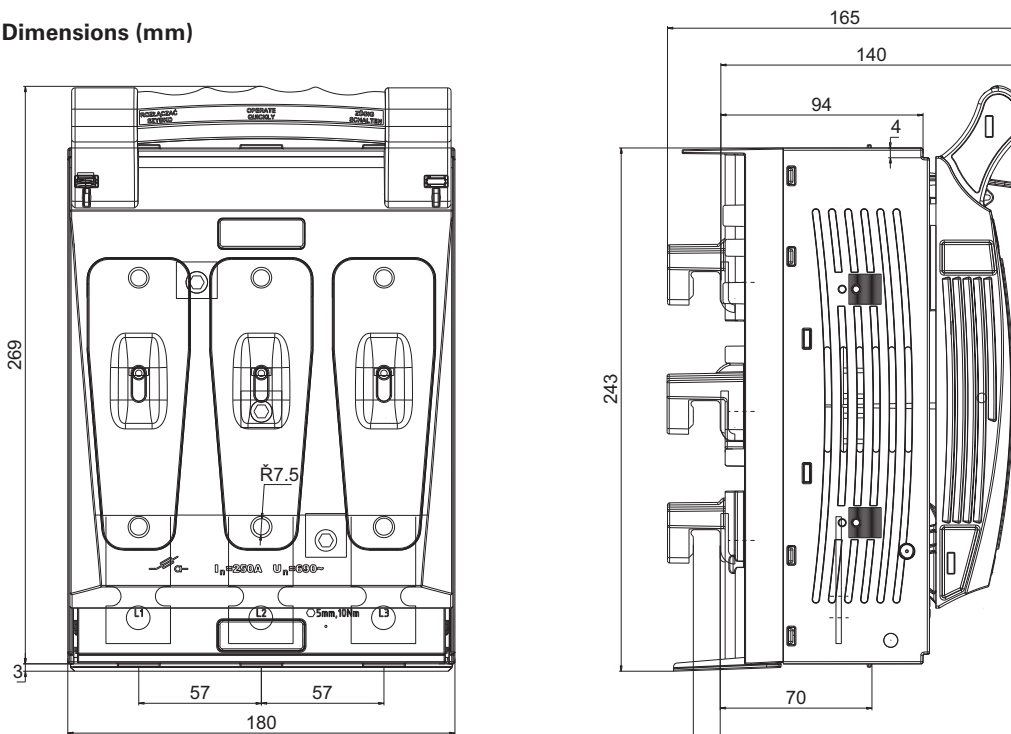


### V Clamps

#### Dimensions and spacing holes for installation on mounting platess



### Dimensions (mm)

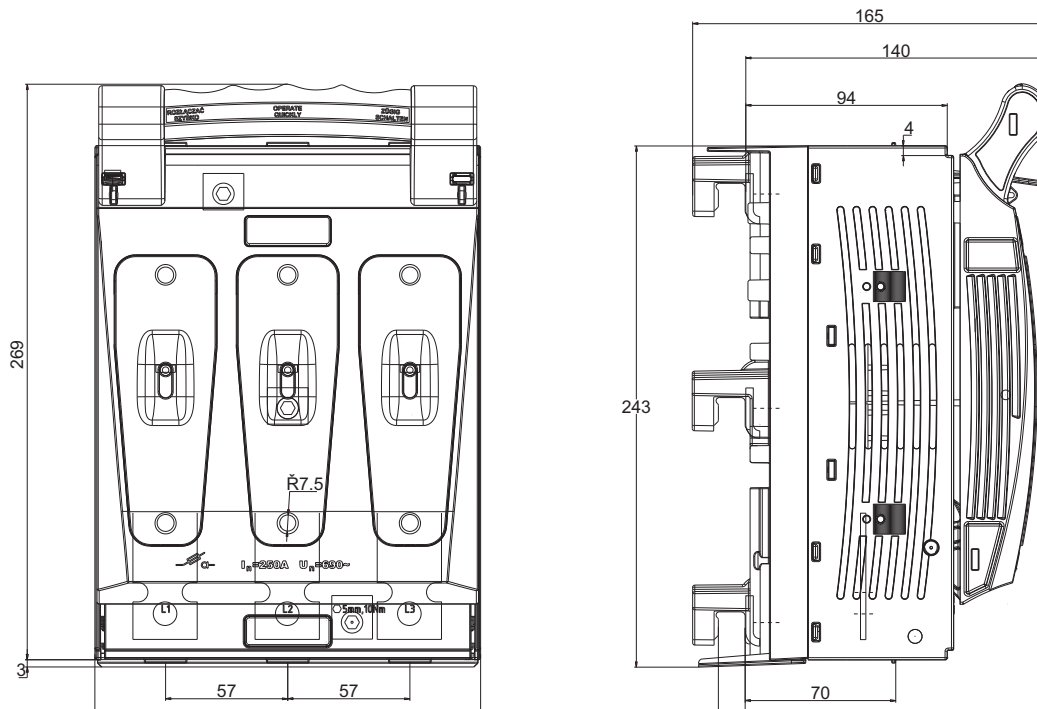


For EBH1 suitable for installation on 60 mm busbar

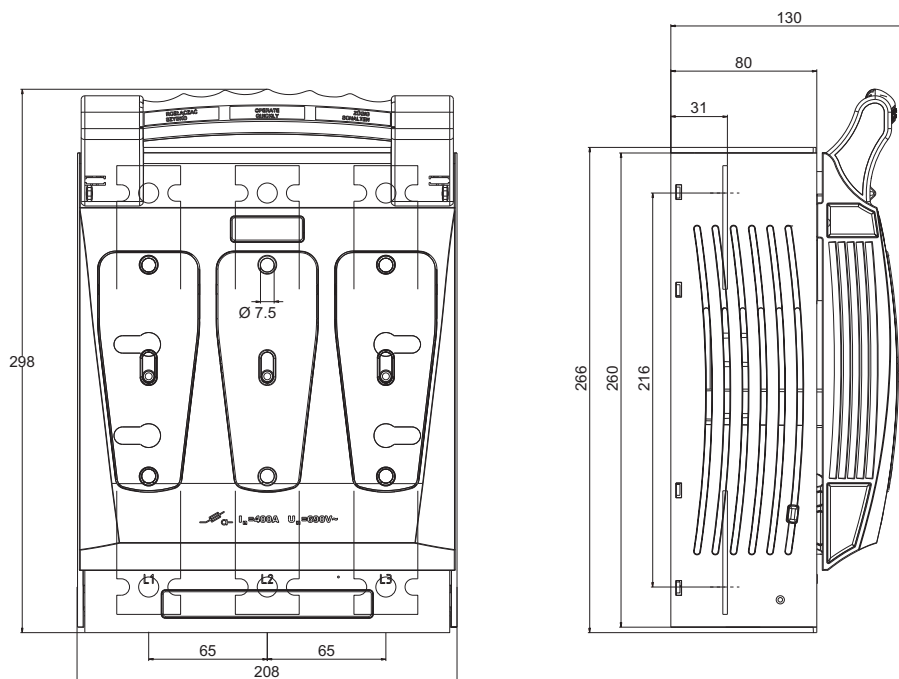
Data sheet 10293

## EBH00 to 4 Horizontal fuse switch disconnectors

### Dimensions (mm)



For EBH1 suitable for installation on 100 mm busbar



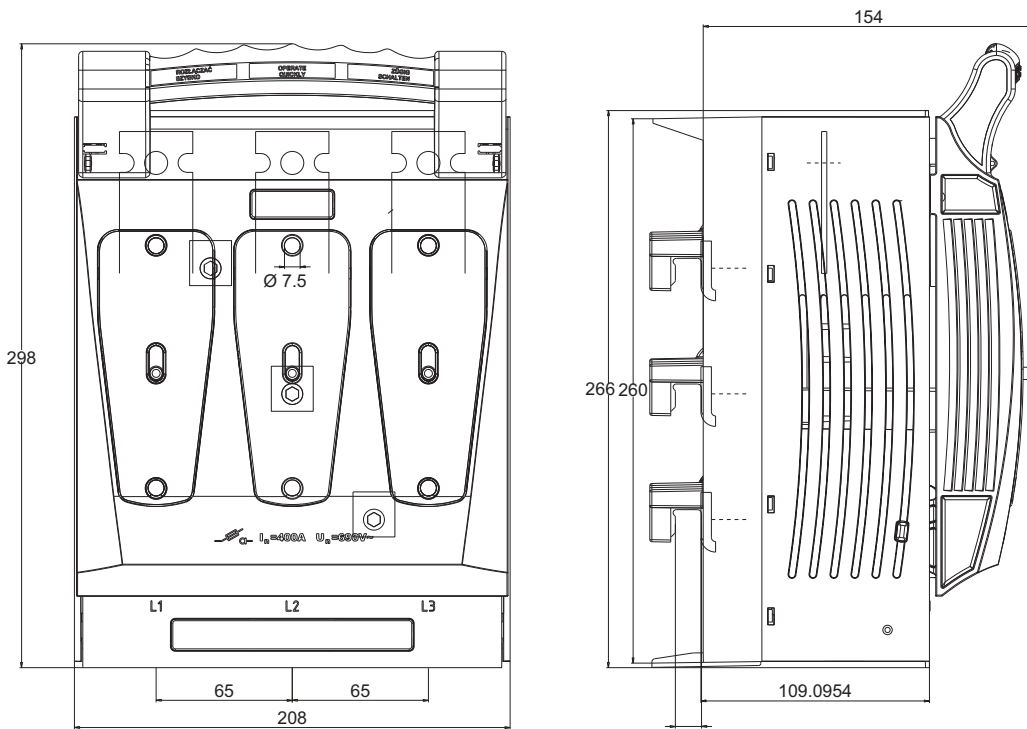
Screw Terminals

For EBH2 suitable for installation on mounting plate

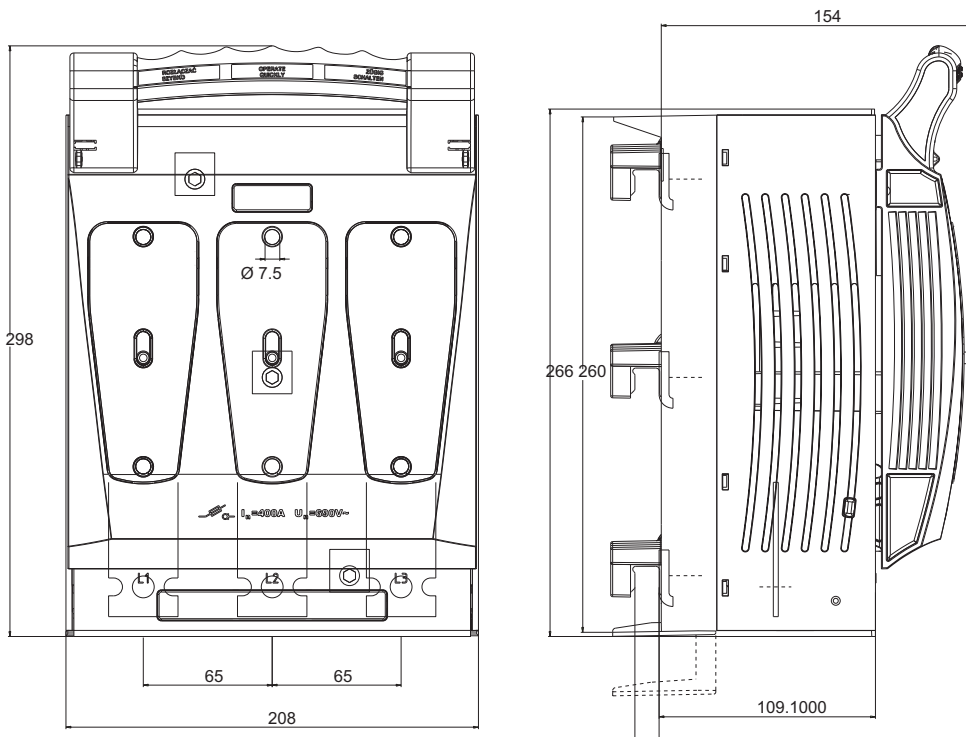
Data sheet 10293

## EBH00 to 4 Horizontal fuse switch disconnectors

### Dimensions (mm)



For EBH2 suitable for installation on 60 mm busbar

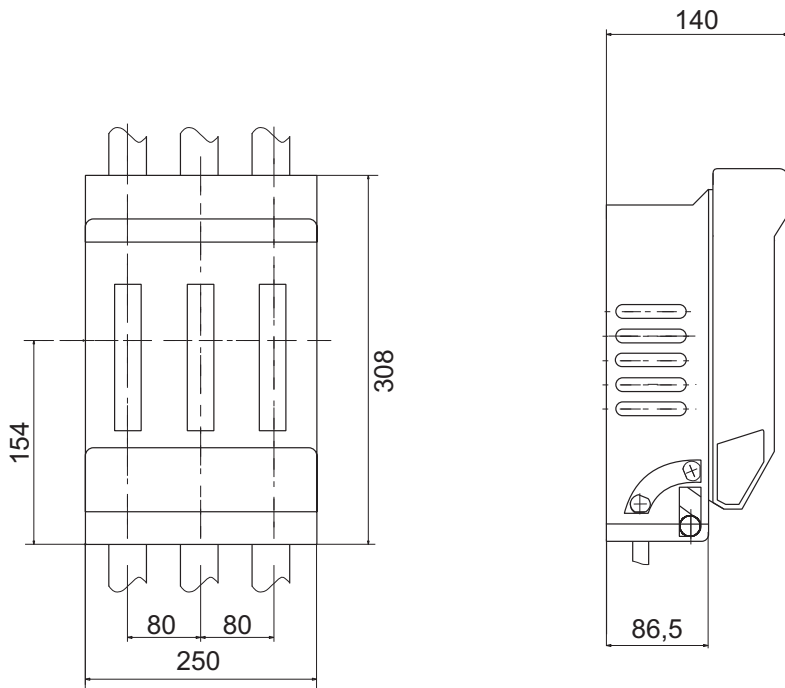


For EBH2 suitable for installation on 100 mm busbar

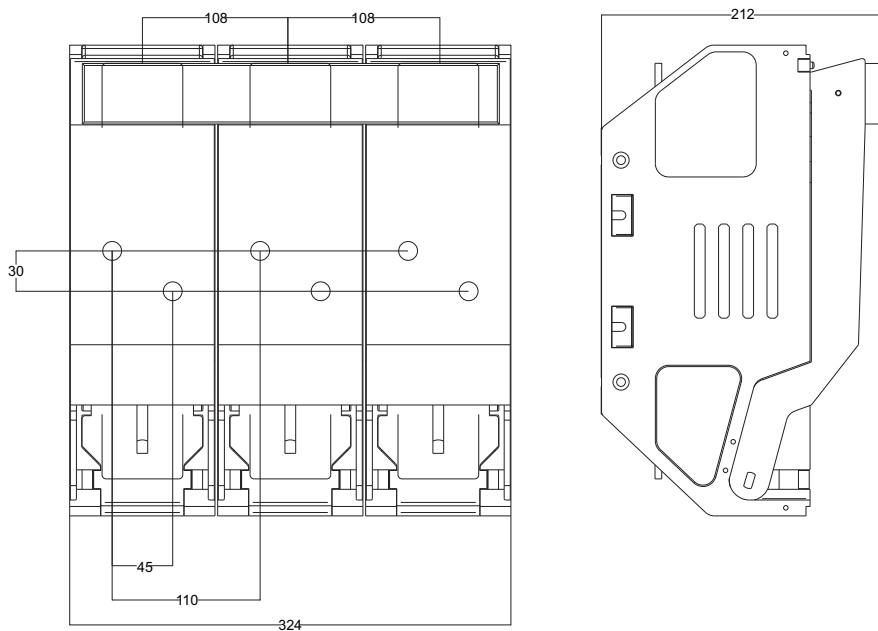
Data sheet 10293

## EBH00 to 4 Horizontal fuse switch disconnectors

### Dimensions - mm



### EBH3



### EBH4

Data sheet 10293



# D & DO fuse links and bases

## Type D Time delay / fast acting / ultra rapid fuse links, bases and accessories

### Specifications

#### Description

Class gG D fuse links for industrial and domestic applications. All these fuse links incorporate a visual indicator of fuse operation.

#### Technical data

Rated voltage: 500 V a.c.  
 Rated current: 2 to 200 A  
 Breaking capacity: 50 kA at 500 V a.c.  
 Operating class: Time delay, fast acting and ultra rapid

#### Standard/agency information

IEC 60269 and VDE 0636

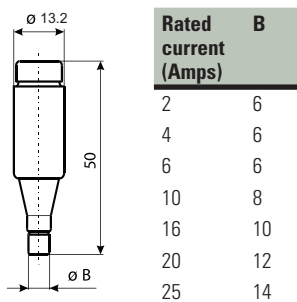
### Product selection



#### D16, 500 V a.c., 2 to 25 A, size DI, time delay, fast acting and ultra rapid fuse links

Catalogue numbers	Type	Size	Colour code	Rated voltage	Rated current (Amps)	Breaking capacity	Pack quantity	To fit base
2D16	Time delay	DI	Pink	500 V a.c.	2	50 kA at 500 V a.c.	20	E16/DI
4D16	Time delay	DI	Brown	500 V a.c.	4	50 kA at 500 V a.c.	20	E16/DI
6D16	Time delay	DI	Green	500 V a.c.	6	50 kA at 500 V a.c.	20	E16/DI
10D16	Time delay	DI	Red	500 V a.c.	10	50 kA at 500 V a.c.	20	E16/DI
16D16	Time delay	DI	Grey	500 V a.c.	16	50 kA at 500 V a.c.	20	E16/DI
20D16	Time delay	DI	Blue	500 V a.c.	20	50 kA at 500 V a.c.	20	E16/DI
25D16	Time delay	DI	Yellow	500 V a.c.	25	50 kA at 500 V a.c.	20	E16/DI
2D16Q	Fast acting	DI	Pink	500 V a.c.	2	50 kA at 500 V a.c.	20	E16/DI
4D16Q	Fast acting	DI	Brown	500 V a.c.	4	50 kA at 500 V a.c.	20	E16/DI
6D16Q	Fast acting	DI	Green	500 V a.c.	6	50 kA at 500 V a.c.	20	E16/DI
10D16Q	Fast acting	DI	Red	500 V a.c.	10	50 kA at 500 V a.c.	20	E16/DI
16D16Q	Fast acting	DI	Grey	500 V a.c.	16	50 kA at 500 V a.c.	20	E16/DI
20D16Q	Fast acting	DI	Blue	500 V a.c.	20	50 kA at 500 V a.c.	20	E16/DI
25D16Q	Fast acting	DI	Yellow	500 V a.c.	25	50 kA at 500 V a.c.	20	E16/DI
2D16R	Ultra rapid	DI	Pink	500 V a.c.	2	50 kA at 500 V a.c.	20	E16/DI
4D16R	Ultra rapid	DI	Brown	500 V a.c.	4	50 kA at 500 V a.c.	20	E16/DI
6D16R	Ultra rapid	DI	Green	500 V a.c.	6	50 kA at 500 V a.c.	20	E16/DI
10D16R	Ultra rapid	DI	Red	500 V a.c.	10	50 kA at 500 V a.c.	20	E16/DI
16D16R	Ultra rapid	DI	Grey	500 V a.c.	16	50 kA at 500 V a.c.	20	E16/DI
20D16R	Ultra rapid	DI	Blue	500 V a.c.	20	50 kA at 500 V a.c.	20	E16/DI
25D16R	Ultra rapid	DI	Yellow	500 V a.c.	25	50 kA at 500 V a.c.	20	E16/DI

#### Dimensions - mm



Data sheet: 4124

# Type D - Time delay / fast acting / ultra rapid fuse links, bases and accessories

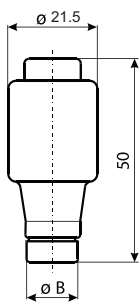
## Product selection

### D27, 500 V a.c., 2 to 30 A, size DII, time delay, fast acting and ultra rapid fuse links



Catalogue numbers	Type	Size	Colour code	Rated voltage	Rated current (Amps)	Breaking capacity	Pack quantity	To fit base
2D27	Time delay	DII	Pink	500 V a.c.	2	50 kA at 500 V a.c.	25	E27/DII
4D27	Time delay	DII	Brown	500 V a.c.	4	50 kA at 500 V a.c.	25	E27/DII
6D27	Time delay	DII	Green	500 V a.c.	6	50 kA at 500 V a.c.	25	E27/DII
10D27	Time delay	DII	Red	500 V a.c.	10	50 kA at 500 V a.c.	25	E27/DII
16D27	Time delay	DII	Grey	500 V a.c.	16	50 kA at 500 V a.c.	25	E27/DII
20D27	Time delay	DII	Blue	500 V a.c.	20	50 kA at 500 V a.c.	25	E27/DII
25D27	Time delay	DII	Yellow	500 V a.c.	25	50 kA at 500 V a.c.	25	E27/DII
2D27Q	Fast acting	DII	Pink	500 V a.c.	2	50 kA at 500 V a.c.	25	E27/DII
4D27Q	Fast acting	DII	Brown	500 V a.c.	4	50 kA at 500 V a.c.	25	E27/DII
6D27Q	Fast acting	DII	Green	500 V a.c.	6	50 kA at 500 V a.c.	25	E27/DII
10D27Q	Fast acting	DII	Red	500 V a.c.	10	50 kA at 500 V a.c.	25	E27/DII
16D27Q	Fast acting	DII	Grey	500 V a.c.	16	50 kA at 500 V a.c.	25	E27/DII
20D27Q	Fast acting	DII	Blue	500 V a.c.	20	50 kA at 500 V a.c.	25	E27/DII
25D27Q	Fast acting	DII	Yellow	500 V a.c.	25	50 kA at 500 V a.c.	25	E27/DII
2D27R	Ultra rapid	DII	Pink	500 V a.c.	2	50 kA at 500 V a.c.	25	E27/DII
4D27R	Ultra rapid	DII	Brown	500 V a.c.	4	50 kA at 500 V a.c.	25	E27/DII
6D27R	Ultra rapid	DII	Green	500 V a.c.	6	50 kA at 500 V a.c.	25	E27/DII
10D27R	Ultra rapid	DII	Red	500 V a.c.	10	50 kA at 500 V a.c.	25	E27/DII
16D27R	Ultra rapid	DII	Grey	500 V a.c.	16	50 kA at 500 V a.c.	25	E27/DII
20D27R	Ultra rapid	DII	Blue	500 V a.c.	20	50 kA at 500 V a.c.	25	E27/DII
25D27R	Ultra rapid	DII	Yellow	500 V a.c.	25	50 kA at 500 V a.c.	25	E27/DII
30D27R	Ultra rapid	DII	Black	500 V a.c.	30	50 kA at 500 V a.c.	25	E27/DII

### Dimensions - mm



Rated current (Amps)	B
2	6
4	6
6	6
10	8
16	10
20	12
25	14
30	14

Data sheet: 4124

## Type D - Time delay / fast acting / ultra rapid fuse links, bases and accessories

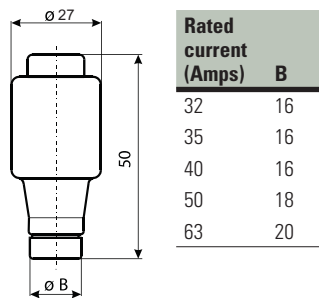
### Product selection

#### D33, 500 V a.c., 32 to 63 A, size DIII, time delay, fast acting and ultra rapid fuse links



Catalogue numbers	Type	Size	Colour code	Rated voltage	Rated current (Amps)	Breaking capacity	Pack quantity	To fit base
32D33	Time delay	DIII	Black	500 V a.c.	32	50 kA at 500 V a.c.	25	E33/DIII
35D33	Time delay	DIII	Black	500 V a.c.	35	50 kA at 500 V a.c.	25	E33/DIII
40D33	Time delay	DIII	Black	500 V a.c.	40	50 kA at 500 V a.c.	25	E33/DIII
50D33	Time delay	DIII	White	500 V a.c.	50	50 kA at 500 V a.c.	25	E33/DIII
63D33	Time delay	DIII	Copper	500 V a.c.	63	50 kA at 500 V a.c.	25	E33/DIII
35D33Q	Fast acting	DIII	Black	500 V a.c.	35	50 kA at 500 V a.c.	25	E33/DIII
50D33Q	Fast acting	DIII	White	500 V a.c.	50	50 kA at 500 V a.c.	25	E33/DIII
63D33Q	Fast acting	DIII	Copper	500 V a.c.	63	50 kA at 500 V a.c.	25	E33/DIII
35D33R	Ultra rapid	DIII	Black	500 V a.c.	35	50 kA at 500 V a.c.	25	E33/DIII
50D33R	Ultra rapid	DIII	White	500 V a.c.	50	50 kA at 500 V a.c.	25	E33/DIII
63D33R	Ultra rapid	DIII	Copper	500 V a.c.	63	50 kA at 500 V a.c.	25	E33/DIII

#### Dimensions - mm

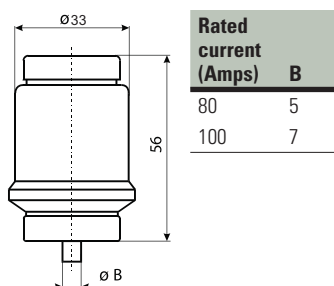


#### D125, 500 V a.c., 80 to 100 A, size DIV, time delay, fast acting and ultra rapid fuse links



Catalogue numbers	Type	Size	Colour code	Rated voltage	Rated current (Amps)	Breaking capacity	Pack quantity	To fit base
80D125	Time delay	DIV	Silver	500 V a.c.	80	50 kA at 500 V a.c.	10	DIV
100D125	Time delay	DIV	Red	500 V a.c.	100	50 kA at 500 V a.c.	10	DIV
80D125Q	Fast acting	DIV	Silver	500 V a.c.	80	50 kA at 500 V a.c.	10	DIV
100D125Q	Fast acting	DIV	Red	500 V a.c.	100	50 kA at 500 V a.c.	10	DIV
80D125R	Ultra rapid	DIV	Silver	500 V a.c.	80	50 kA at 500 V a.c.	10	DIV
100D125R	Ultra rapid	DIV	Red	500 V a.c.	100	50 kA at 500 V a.c.	10	DIV

#### Dimensions - mm



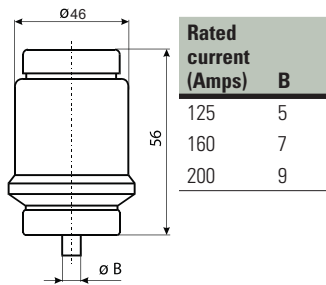
Data sheet: 4124

## Type D - Time delay / fast acting / ultra rapid fuse links, bases and accessories

### D200, 500 V a.c., 125 to 200 A, size DV, time delay, fast acting and ultra rapid fuse links

Catalogue numbers	Type	Size	Colour code	Rated voltage	Rated current (Amps)	Breaking capacity	Pack quantity	To fit base
125D200	Time delay	DV	Yellow	500 V a.c.	125	50 kA at 500 V a.c.	10	DV
160D200	Time delay	DV	Copper	500 V a.c.	160	50 kA at 500 V a.c.	10	DV
200D200	Time delay	DV	Blue	500 V a.c.	200	50 kA at 500 V a.c.	10	DV
125D200Q	Fast acting	DV	Yellow	500 V a.c.	125	50 kA at 500 V a.c.	10	DV
160D200Q	Fast acting	DV	Copper	500 V a.c.	160	50 kA at 500 V a.c.	10	DV
200D200Q	Fast acting	DV	Blue	500 V a.c.	200	50 kA at 500 V a.c.	10	DV
125D200R	Ultra rapid	DV	Yellow	500 V a.c.	125	50 kA at 500 V a.c.	10	DV
160D200R	Ultra rapid	DV	Copper	500 V a.c.	160	50 kA at 500 V a.c.	10	DV
200D200R	Ultra rapid	DV	Blue	500 V a.c.	200	50 kA at 500 V a.c.	10	DV

### Dimensions - mm



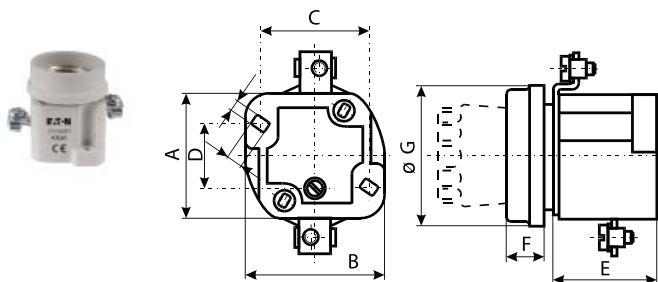
Data sheet: 4124

### Fuse bases for type D fuse links

#### Product selection

Catalogue numbers	Connection type	Number of poles	Screw	Rated current (Amps)	Pack quantity	To fit fuse links
SFD27	Screw connection	1	E27	16	36	DI
SFD33	Screw connection	1	E33	63	15	DIII
TFD27	Screw connection	3	E27	16	4	DI
TFD33	Screw connection	3	E33	63	6	DIII
SFRD27	DIN-Rail connection	1	E27	16	15	DI
SFRD33	DIN-Rail connection	1	E33	63	15	DIII
TFRD27	DIN-Rail connection	3	E27	16	4	DI
TFRD33	DIN-Rail connection	3	E33	63	6	DIII

### Dimensions - mm



Rated current (Amps)	A	B	C	D	E	F	G
SFD27	41	47	36	20	35	13	46
SFD33	45	56	45	20	36	14	58

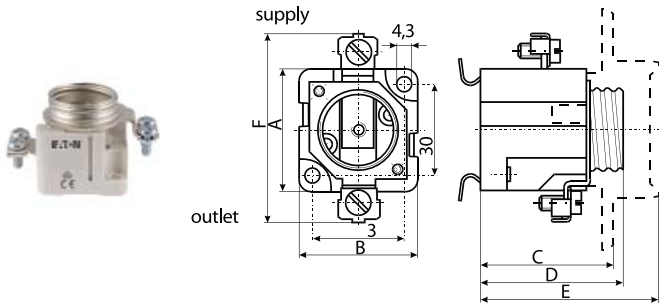
### SFD

Data sheet: 4124

# Type D - Time delay / fast acting / ultra rapid fuse links, bases and accessories

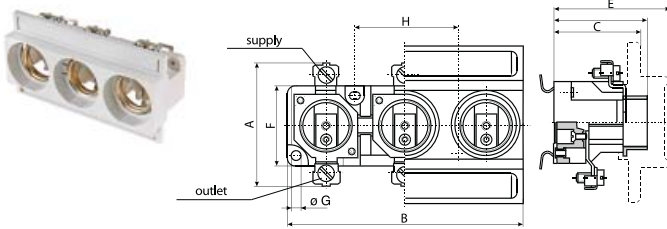
## Fuse bases for type D fuse links

### Dimensions - mm



SFRD

Rated current (Amps)	A	B	C	D	E	F
SFRD27	41	39	44	47	60	62
SFRD33	43	47	44	47	56	79



TFD and TFRD

Rated current (Amps)	A	B	C	D	E	F	G	H
TFD27/TFRD27	41	121	44	47	60	30	4.3	50
TFD33/TFRD33	43	148	44	47	56	32	4.3	62

Data sheet: 4124

## Accessories for type D fuse links

### Product selection

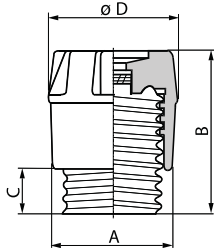
Catalogue numbers	Type	Size	Fuse base type	Rated current (Amps)	Pack quantity	To fit fuse links
CD27	Fuse carrier/cap	N/A	E27	25	50	D27
CD33	Fuse carrier/cap	N/A	E33	63	6	D33
2GD27	Gauge piece	DII	E27	2	25	D27
4GD27	Gauge piece	DII	E27	4	25	D27
6GD27	Gauge piece	DII	E27	6	25	D27
10GD27	Gauge piece	DII	E27	10	25	D27
16GD27	Gauge piece	DII	E27	16	25	D27
20GD27	Gauge piece	DII	E27	20	25	D27
25GD27	Gauge piece	DII	E27	25	25	D27
35GD33	Gauge piece	DIII	E33	35	25	D33
50GD33	Gauge piece	DIII	E33	50	25	D33
63GD33	Gauge piece	DIII	E33	63	25	D33

Data sheet: 4124

# Type D - Time delay / fast acting / ultra rapid fuse links, bases and accessories

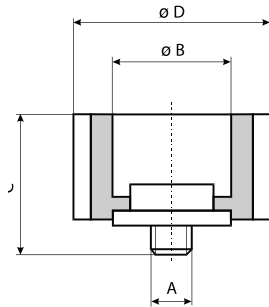
## Accessories for type D fuse links

### Dimensions - mm



Fuse carrier/cap

Rated current (Amps)	Rated current (Amps)			
	A	B	C	D
CD27	E27	44	12	34
CD33	E33	44	12	43



Gauge piece

Rated current (Amps)	Rated current (Amps)			
	A	B	C	D
2GD27	3/16"	6.5	17	24
4GD27	3/16"	6.5	17	24
6GD27	3/16"	6.5	17	24
10GD27	3/16"	8.5	17	24
16GD27	3/16"	10.5	17	24
20GD27	3/16"	12.5	17	24
25GD27	3/16"	14.5	17	24
35GD33	3/16"	16.5	17	30
50GD33	3/16"	18.5	17	30
63GD33	3/16"	20.5	17	30

Data sheet: 4124

## Type D0 - Time delay / ultra rapid fuse links, bases and accessories

### Specifications

#### Description

Class gG DO fuse links for industrial and domestic applications. All these fuse links incorporate a visual indicator of fuse operation.

#### Technical data

Rated voltage: 400 V a.c.  
 Rated current: 2 to 100 A  
 Breaking capacity: 50 kA at 400 V a.c.  
 Operating class: Time delay and ultra rapid

#### Standard/agency information

IEC 60269 and VDE 0636

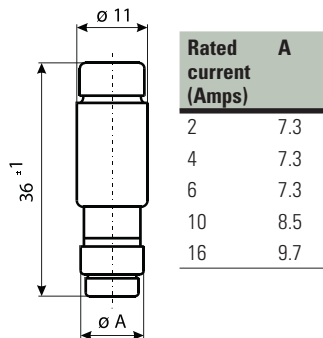
### Product selection

#### NZ01, 400 V a.c., 2 to 16 A, size D01, time delay and ultra rapid fuse links



Catalogue numbers	Type	Colour	Rated voltage	Rated current (Amps)	Breaking capacity	Pack quantity	Size
2NZ01	Time delay	Pink	400 V a.c.	2	50 kA at 400 V a.c.	10	D01
4NZ01	Time delay	Brown	400 V a.c.	4	50 kA at 400 V a.c.	10	D01
6NZ01	Time delay	Green	400 V a.c.	6	50 kA at 400 V a.c.	10	D01
10NZ01	Time delay	Red	400 V a.c.	10	50 kA at 400 V a.c.	10	D01
16NZ01	Time delay	Grey	400 V a.c.	16	50 kA at 400 V a.c.	10	D01
2NZ01R	Ultra rapid	Pink	400 V a.c.	2	50 kA at 400 V a.c.	10	D01
4NZ01R	Ultra rapid	Brown	400 V a.c.	4	50 kA at 400 V a.c.	10	D01
6NZ01R	Ultra rapid	Green	400 V a.c.	6	50 kA at 400 V a.c.	10	D01
10NZ01R	Ultra rapid	Red	400 V a.c.	10	50 kA at 400 V a.c.	10	D01
16NZ01R	Ultra rapid	Grey	400 V a.c.	16	50 kA at 400 V a.c.	10	D01

#### Dimensions - mm



#### D01

#### NZ02, 400 V a.c., 20 to 63 A, size D02, time delay and ultra rapid fuse links



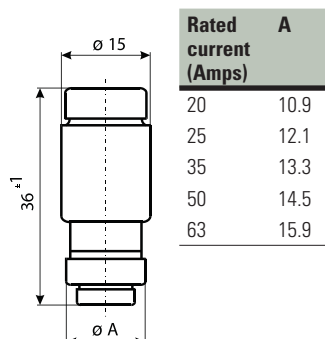
Catalogue numbers	Type	Colour	Rated voltage	Rated current (Amps)	Breaking capacity	Pack quantity	Size
20NZ02	Time delay	Blue	400 V a.c.	20	50 kA at 400 V a.c.	10	D02
25NZ02	Time delay	Yellow	400 V a.c.	25	50 kA at 400 V a.c.	10	D02
35NZ02	Time delay	Black	400 V a.c.	35	50 kA at 400 V a.c.	10	D02
50NZ02	Time delay	White	400 V a.c.	50	50 kA at 400 V a.c.	10	D02
63NZ02	Time delay	Copper	400 V a.c.	63	50 kA at 400 V a.c.	10	D02
20NZ02R	Ultra rapid	Blue	400 V a.c.	20	50 kA at 400 V a.c.	10	D02
25NZ02R	Ultra rapid	Yellow	400 V a.c.	25	50 kA at 400 V a.c.	10	D02
35NZ02R	Ultra rapid	Black	400 V a.c.	35	50 kA at 400 V a.c.	10	D02
50NZ02R	Ultra rapid	White	400 V a.c.	50	50 kA at 400 V a.c.	10	D02
63NZ02R	Ultra rapid	Copper	400 V a.c.	63	50 kA at 400 V a.c.	10	D02

Data sheet: 4124

## Type D0 - Time delay / ultra rapid fuse links, bases and accessories

### NZ02, 20 to 63 A, size D02, time delay and ultra rapid fuse links

#### Dimensions - mm

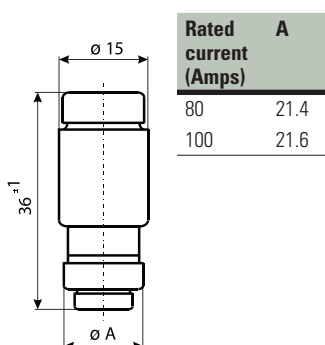


D02

### NZ03, 400 V a.c., 80 and 100 A, size D03, time delay fuse links



Catalogue numbers	Type	Colour	Rated voltage	Rated current (Amps)	Breaking capacity	Pack quantity	To fit base
80NZ03	Time delay	Silver	400 V a.c.	80	50 kA at 400 V a.c.	10	D03
100NZ03	Time delay	Red	400 V a.c.	100	50 kA at 400 V a.c.	10	D03



D03

### Single pole fuse base for type D0 fuse links

#### Product selection

Catalogue number	Current (Amps)	Screw	With protection cover	Without protection cover	DIN-Rail mounting	Screw mounting	Connections		Cross-section of connecting lead (mm <sup>2</sup> )	Dim (A) mm	Pack qty
							Outlet	Supply			
FRN01C	16	E14	x		x		M4	M4	1.5-4	53	15
FN01C	16	E14	x			x	M4	M4	1.5-4	53	15
FRN02C	63	E18	x		x		2 x M5	2 x M5	2.5-25	57	15
FN02C	63	E18	x			x	2 x M5	2 x M5	2.5-25	57	15
FRN02C-A	63	E18	x		x		2 x M5	M6	2.5-25	57	15
FRN02C-SA	63	E18	x			x	2 x M5	M6	2.5-25	57	15
FRN01-B	16	E14		x	x		M4	M4	1.5-4	53	15
FRN01-SB	16	E14		x		x	M4	M4	1.5-4	53	15
FRN02-D	63	E18		x	x		2 x M5	2 x M5	2.5-25	57	15
FRN02-SD	63	E18		x		x	2 x M5	2 x M5	2.5-25	57	15
FRN02-E	63	E18		x	x		2 x M5	M6	2.5-25	57	15
FRN02-SE	63	E18		x		x	2 x M5	M6	2.5-25	57	15

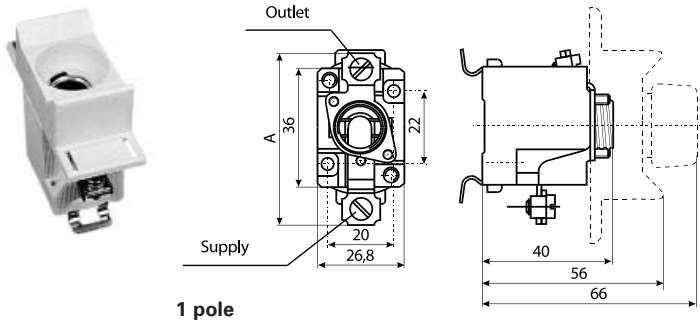
Data sheet: 4124



# Type D0 - Time delay / ultra rapid fuse links, bases and accessories

## Single pole fuse base for type D0 fuse links

### Dimensions - mm



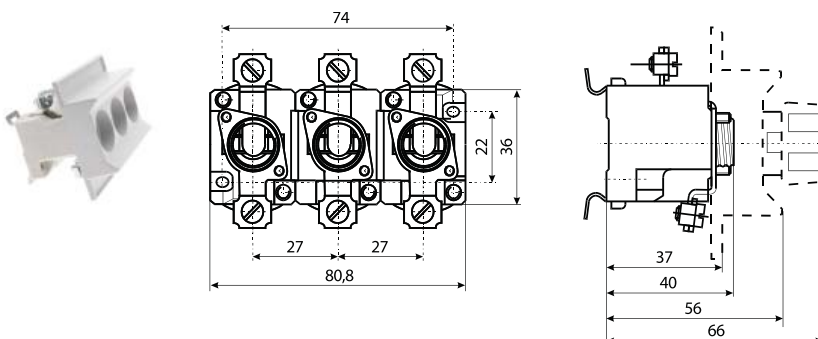
1 pole

## Three pole fuse base for type D0 fuse links

### Product selection

Catalogue number	Current (Amps)	Screw	With protection cover	Without protection cover	DIN-Rail mounting	Screw mounting	Connections		Cross-section of connecting lead (mm <sup>2</sup> )	Dim (A) (mm)	Pack qty
							Outlet	Supply			
TFRN01C	16	E14	x		x		M4	M4	1.5-4	53	5
TFN01C	16	E14	x			x	M4	M4	1.5-4	53	5
TFRN02C	63	E18	x		x		2 x M5	2 x M5	2.5-25	57	5
TFN02C	63	E18	x			x	2 x M5	2 x M5	2.5-25	57	5
TFRN02C-A	63	E18	x		x		2 x M5	M6	2.5-25	57	5
TFRN02C-SA	63	E18	x			x	2 x M5	M6	2.5-25	57	5
TFRN01-B	16	E14		x	x		M4	M4	1.5-4	53	5
TFRN01-SB	16	E14		x		x	M4	M4	1.5-4	53	5
TFRN02-D	63	E18		x	x		2 x M5	2 x M5	2.5-25	57	5
TFRN02-SD	63	E18		x		x	2 x M5	2 x M5	2.5-25	57	5
TFRN02-E	63	E18		x	x		2 x M5	M6	2.5-25	57	5
TFRN02-SE	63	E18		x		x	2 x M5	M6	2.5-25	57	5

### Dimensions - mm



# Type D0 - Time delay / ultra rapid fuse links, bases and accessories

## Fuse accessories for type D0 fuse links

### Product selection

Catalogue numbers	Type	Fuse base type	Pack quantity	To fit fuse links
CN01	Fuse carrier/cap	E14	20	D01
CN02	Fuse carrier/cap	E18	20	D02
CN03	Fuse carrier/cap	N/A	20	D03
2GN01	Gauge piece	E14	50	D01
4GN01	Gauge piece	E14	50	D01
6GN01	Gauge piece	E14	50	D01
10GN01	Gauge piece	E14	50	D01
2GN02*	Gauge piece	E18	50	D02
4GN02*	Gauge piece	E18	50	D02
6GN02*	Gauge piece	E18	50	D02
10GN02*	Gauge piece	E18	50	D02
16GN02*	Gauge piece	E18	50	D02
20GN02	Gauge piece	E18	50	D02
25GN02	Gauge piece	E18	50	D02
35GN02	Gauge piece	E18	50	D02
50GN02	Gauge piece	E18	50	D02
DO-GPK	Gauge key piece	N/A	20	N/A
DO-SFH	Special holder	N/A	25	N/A



Fuse carrier/cap



Gauge piece key



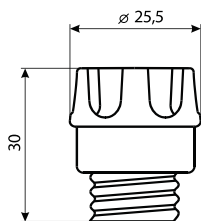
Gauge piece



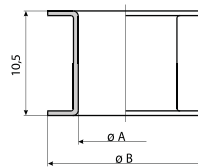
Special holder

\* For using fuse links D01 and fuse bases D02

### Dimensions - mm



Fuse carrier/cap



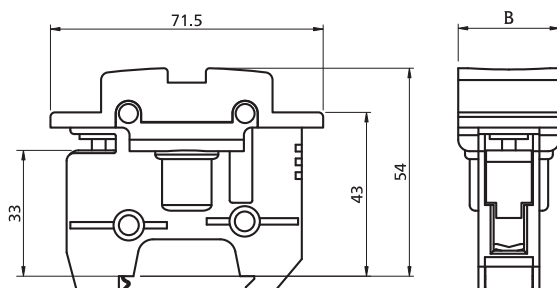
Gauge piece

Catalogue numbers	A	B
2GN01	7.9	12
4GN01	7.9	12
6GN01	7.9	12
10GN01	9.1	12
2GN02	7.9	16.6
4GN02	7.9	16.6
6GN02	7.9	16.6
10GN02	9.1	16.6
16GN02	10.3	16.6
20GN02	11.5	16.6
25GN02	12.7	16.6
35GN02	13.9	16.6
50GN02	15.1	16.6

### Plastic base PPD01 and PPD02

Type	Number of poles	Rated current (A)	Catalogue number	Pack qty
PPD01-1	1	16	DD01-1	15
PPD01-3	3	16	DD01-3	3
PPD02-1	1	63	DD02-1	15
PPD02-3	3	63	DD02-3	3

### Dimensions - mm



Data sheet: 4124

Catalogue numbers	B
DD01-1	26.8
DD01-3	80.4
DD02-1	26.8
DD02-3	80.4

- PPD01 for fuse links D01, 2-16 A, 400 V a.c.
- PPD02 for fuse links D02, 20-63 A, 400 V a.c.

# Application information

The Eaton's Bussmann series standard range of high breaking capacity fuse links, for low voltage industrial and general purpose applications, meet the requirements of BS88 and IEC 60269. By using advanced fuse technology the current ratings up to 400 A have compact dimensions but are still within the standardised dimensional and performance requirements. These designs have been optimised for 415/240 V systems. The standard range of fuse links are available from 2-1250 A in the following tag forms: offset bladed - offset bolted and centre bolted. IEC 60269, DIN 43620 fuse links are available from 2 to 1250 A in standard sizes 000 to 4a.

Supplementary ranges cover applications up to 690 V a.c. and 500 V d.c. including those with non-standard tag fixings.

Eaton's Bussmann series fuse links are manufactured under Quality Systems independently assessed to ISO 9001 and appropriate ratings carry the ASTA 20 endorsement.

## APPLICATION DATA

One of the long standing advantages of fuse protection is that fuse selection is relatively simple and effective.

The following notes cover the majority of applications. For further information contact Eaton's Bussmann business technical department 00 44 (0) 1509 882 699 or [buletechnical@eaton.com](mailto:buletechnical@eaton.com).

Reference should also be made to the appropriate Wiring Installations rules, in the UK the 17<sup>th</sup> Edition of the IEE Wiring Regulations for Electrical installations which aligns with IEC 60634.

## CIRCUIT LOADING

The current rating of the fuse link should not be less than the full load current of the circuit. The circuit should be so designed that small overloads of long duration will not be of frequent occurrence.

## CABLE RATINGS

There is an increasing move away from 70°C P.V.C. insulation to materials which are more environmentally friendly, for example 90°C XLPE. The ratings of fuse gear, switches, accessories etc, are generally based upon the equipment being connected to conductors intended to be operated at a temperature not exceeding 70°C in normal service.

In view of the above it is recommended that the practice of designs based upon conductor temperatures of 70°C be regarded as the norm. In accordance with the Wiring Regulations the equipment manufacturer should be consulted to ascertain the reduction of nominal current rating of the equipment if conductor temperatures exceeding 70°C are used. In addition overriding factor is often voltage drop consideration.

## CABLE PROTECTION

Eaton's Bussmann series fuse links with gG characteristics protect associated cables against both overload and short circuit current, provided that the current rating of the fuse link  $I_N$  is equal or less than the current carrying capacity of the cable  $I_z$ .

In motor circuits, the motor starter will provide the overload protection and the fuse links will provide the short circuit protection. The maximum size of fuse link that can be used depends upon the type of cable used and is determined in accordance with the Wiring Regulations using the appropriate K factor. The following table gives maximum sizes of fuse links that are recommended for two popular cables with copper conductors 70°C P.V.C. (K=115) and 90°C thermosetting (K = 143).

Cable size mm <sup>2</sup>	Max fuse rating		Cable size mm <sup>2</sup>	Max fuse rating	
	K = 115 A	K = 143 A		K = 115 A	K = 143 A
1	16	16	25	200*	250*
1.5	20	25	35	315*	355*
2.5	32*	32*	50	400*	500
4	50*	50*	70	560	630
6	63*	63*	95	710	800
10	100*	125*	120	800	1000
16	125*	160*			

\* Extended motor circuit dual ratings can be used

## AMBIENT TEMPERATURE

A de-rating in terms of current of 0.5% per 1°C above an ambient of 35°C is recommended.

## BREAKING CAPACITY

For BS88 fuse links the standardised values of breaking capacity are 80 kA for voltages of 415 V a.c. and above, and 40 kA for d.c. applications.

For IEC 60269 (DIN 43620) fuse links the breaking capacity is typically 120 kA for voltages of 500-690 V a.c.

## DISCRIMINATION

All fuse links will give discrimination ratio of 2:1 and for more practical situations a ratio of 1.6:1 (two steps in the R10 series). Example an upstream fuse link rated at 160 A will discriminate with a downstream fuse rated at 100 A.

## CURRENT AND ENERGY LIMITATION

Eaton's Bussmann series range of fuse links have pre-arcing  $I^2t$  values towards the bottom limits of the standards. This ensures excellent current and energy limitation. They also have lower power losses at rated current. This assists in the appropriate interchangeability with other makes of fuse links.

## TRANSFORMERS

When fuse links are used on the primary side of transformers the normal current rating of the fuse links should be at least twice the nominal transformer primary current. The inrush current can be estimated at 12 x Full Load Current (FLC) for purposes of fuse link selection.

## FLUORESCENT LIGHTING

The normal current rating of the fuse link should be at least twice the normal full load current of the maximum number of lights to be switched simultaneously.

## CAPACITOR CIRCUITS

In capacitor circuits, for example power factor correction, the fuse link should be chosen with a current rating typically twice the rated capacitor current. This takes in account of the high transient inrush current, circuit harmonics and capacitor tolerances.

# Application information

## Zs OHMS IMPEDANCE VALUES

The rules for protection against indirect contacts are given in the Wiring Regulations.

Recommendation is based on ambient temperature at 25°C. At higher temperatures some fuse links may have to be de-rated. Ensure the voltage rating of the fuse is suitable for the application. If in doubt contact Eaton's Bussmann business technical department: [buletechnical@eaton.com](mailto:buletechnical@eaton.com) or 00 44 (0) 1509 882 699.

BS88 fuse links	
Rated current (Amps)	Zs (Ohms)
2	60
4	26.6
6	14
10	7.7
16	4.3
20	3
25	2.4
32	1.9
35	1.7
40	1.4
50	1.1
63	0.86
80	0.6
100	0.44
125	0.35
160	0.27
200	0.2
250	0.16
315	0.13
355	0.14
400	0.09
450	0.08
500	0.07
630	0.05
800	0.04
1000	0.038
1250	0.026

NH fuse links (all sizes)	
Rated current (Amps)	Zs (Ohms)
40	1.6
63	0.96
80	0.8
100	0.57
125	0.46
160	0.29
200	0.24
224	0.22
250	0.21
315	0.15
355	0.13
400	0.91
500	0.08
630	0.07

For a TN system, a disconnecting time not exceeding 5 seconds is permitted for a distribution circuit.

For DIN fuse links (NH) to DIN 43620 with gG/gL characteristics at 230-240 V a.c.

Cylindrical fuse links (8 x 31, 10x38, 14x51, 22x58 mm)		
Rated current (Amps)	gG type Zs (Ohms)	aM type Zs (Ohms)
2	26	15
4	12.9	7.5
6	8.57	5
8	6.81	3.75
10	5.16	3
12	4.34	2.5
16	3.69	1.87
20	2.82	1.5
25	2.18	1.2
32	1.6	0.93
40	1.26	0.75
50	0.96	0.6
63	0.75	0.47
80	0.56	0.37
100	0.41	0.3
125	0.34	0.24

For a TN system, a disconnecting time not exceeding 5 seconds is permitted for a distribution circuit.

Values refer to an installation with 230-240 V a.c. to earth.

For a TN system, a disconnecting time not exceeding 5 seconds is permitted for a distribution circuit. The maximum values of earth fault loop impedance (Zs) corresponding to a disconnecting time of 5 seconds for a nominal voltage to earth (U<sub>0</sub>) of 230-240 V a.c. for Eaton's Bussmann series gG fuse links to BS88: Parts 2 and 6.

## MOTOR CIRCUITS

In motor circuits the fuse link has to withstand the starting current of the motor and often requires a higher rating than the full load current of the motor.

Coordination recommendations are made by the manufacturers of motor starters in accordance to IEC 60947-4-1. To give the desirable type 2 coordination with fuse links, tests are performed with the latest gG, gM and aM fuse links, to BS88 or IEC 60269 which have pre-arcing  $I^2t$  values towards the bottom specified limits. This means that Eaton's Bussmann series fuse links are suitable to give type 2 coordination.

Extended dual ratings of motor circuit protection fuse links with gM characteristics are available in most popular sizes of fuse links to extend the use of associated equipment with appropriate economies. In the majority of applications, gG fuse links are used. It is not essential for gM and aM fuse links to be used in motor circuit protection, they simply extend the utilisation of standard equipment.

The table below shows the recommended fuse links at 415 V. In most applications the run-up time is less than five seconds and duty is infrequent - no more than twice per hour. The next larger rating should be used for more arduous conditions.














Motor full load current look up table					
Motor rating		Rated voltage (V a.c.)			
kW	HP	220	415	660	
		Amps	Amps	Amps	
0.37	0.5	2	1.05	0.7	
0.55	0.75	2.7	1.5	0.9	
0.75	1	3.9	2	1.3	
1.1	1.5	4.7	2.5	1.6	
1.5	2	6.5	3.5	2.2	
2.2	3	9.3	5	3.2	
3	4	12	6.5	4.1	
4	5.5	15.4	8.4	5.3	
5.5	7.5	20.7	11	6.9	
7.5	10	28	14.4	9.3	
11	15	39.1	21	13.2	
15	20	52.8	28	17.6	
18.5	25	66	35	22	
22	30	77	41	26	
30	40	103	55	35	
37	50	128	69	43.3	
45	60	151	80	50	
55	75	185	98	62	
75	100	257	136	85	
90	120	308	164	102	
110	150	370	196	123	
132	175	426	226	142	
150	200	500	268	168	
160	215	-	275	173	
200	270	-	358	225	
240	320	-	428	269	
280	375	-	488	307	
300	400	-	525	330	
320	425	-	538	338	

Motor fuse link selection table						
Motor rating		Direct on-line				Assisted Start (Star/Delta) BS88/NH
kW	Amps	BS88 gG	NH gG	BS88 Motor	NH aM*	
		Amps	Amps	Amps	Amps	
0.25	0.8	4	4	-	-	2
0.37	1.1	4	4	-	-	2
0.55	1.5	6	6	-	-	4
0.75	2	6	6	-	-	4
1.1	3	10	10	-	6	6
1.5	3.6	16	16	-	6	10
2.2	5	16	16	-	6	10
3	6.5	20	20	-	10	16
4	8.4	20	20	-	16	16
5.5	11	25	25	20M25	20	20
7.5	15	40	40	32M40	32	25
11	20	50	50	32M50	32	32
15	27	63	63	32M63	40	40
18.5	33	80	80	63M80	63	50
22	38	80	80	63M80	63	50
30	54	100	100	63M100	80	80
37	66	125	125	100M125	100	80
45	79	160	160	100M160	100	100
55	98	160	160	100M160	200	100
75	135	250	250	200M250	200	160
90	155	250	250	200M250	250	160
110	185	315	315	200M315	315	200
132	220	355	355	315M400	315	250
150	250	355	355	315M400	400	315
185	310	450	450	400M500	400	355
200	335	500	500	400M500	500	400
225	375	560	560	-	-	400
250	415	560	560	-	-	450
280	460	630	630	-	-	500
335	562	710	710	-	-	630
355	596	800	800	-	-	710

\* No overload protection with these fuse links, and overload

# Cross reference

Bussmann series	SSD	NSD	ESD	SMD	STD	NITD	AAO	BAO	CEO	OSD
Lawson	SS	NS	ES	MD	LST	NIT	TIA	TIS	TCP	TIS
MEM	SS	SN2	SP	-	LS	SA2	SB3	SB4	SD5	SO
Mersen		BNS42V/ BSS55V	BES42V/ BES55V			BNIT42V/ BNIT55V	BTIA42V	BTIS42V	BTCP42V	
										
<b>General industrial fuse links</b>										
BS88 size reference	E1	F1	F2			A1	A2	A3	A4	
IEC Utilisation class	gG	gG	gG	gG	gG	gG	gG	gG	gG	gG
Rated voltage (V a.c.)	240	550	550	415	240	550	550	500	500	500
Rated current (Amps)	2	2	2	2	2	2	2	40	32	80
	4	4	4	4	4	4	4	50	40	100
	6	6	6	6	6	6	6	63	50	
	10	10	10	10	10	10	10		63	
	16	16	16	16	16	16	16		80	
	20	20	20	20	20	20	20		100	
	25	25	25	25	25	25	25			
	32	32	32	32	32	32	32			
			40							
			50							
			63							
<b>Motor fuses</b>										
IEC Utilisation category		gM	gM			gM	gM	gM	gM	gM
Rated voltage (V a.c.)		415	415			415	500	500	415	415
Extended motor range		20M25	63M80			20M25	32M40	63M80	100M125	100M125
		20M32	63M100			20M32	32M50	63M100	100M160	100M160
		20M36				32M40	32M63		100M200	
		32M36				32M50				
		32M40				32M63				
		32M50								
		32M63								
<b>Dimensions (mm)</b>										
Overall length	47	58.5	68	29	47	55	85	87	110	95
Fixing centres	N/A	N/A	N/A	N/A	35	44	73	73	94	73
Maximum diameter	12	17.5	21	12.7	13	17.5	21	21	31	26
Tag configuration	Solid blade	Solid blade	Solid blade	Ferrule	Offset	Offset	Offset	Offset	Offset	Offset
Number of holes fixings	0	0	0	0	2	2	2	2	2	2
Camaster/Safeloc fuse holder		32NNS	63ENS			CM32FC	CM32F	CM63F		CM100F
Red Spot/Safeclip fuse holder	SC20	SC32	SC63			RS20H	RS32	RS63	RS100	
<b>Approvals</b>										
BS88	•	•	•	•	•	•	•	•	•	•
IEC60269	•	•	•	•	•	•	•	•	•	•
ASTA	•	•	•	•	•	•	•	•	•	•

DEO	AC/BC	AD/BD*	CD	DD	ED	EFS	EF	FF	FG	GG	GF	GH
TFP	TB	TBC	TC	TF	TKF/TMF	TKM	TM	TTM	TT	TLT	TLM	TLU
SD6	SE3/SE4	SF3/SF4	SF5	SF6	SF7	SG7	SH8	SH9	SY9	SY10	SH10	-
BTFP42V		BTBC42V	BTC42V	BTF42V	BTKF42V/ BTMF69V	BTKM42V	BTKM42V	BTTM42V			BTLM42V	
												
			B1	B2	B3/B4		C1	C2			C3	D1
gG	gG	gG	gG	gG	gG	gG	gG	gG	gG	gG	gG	gG
415	500/550	500/550	500	415	415	415	415	690	550	550	550	550
125	2	2	80	125	250	125	355	450	450	710	710	710
160	4	4	100	160	315	160	400	500	500	800	800	800
200	6	6		200	355	200		560	560	1000		1000
	10	10			400	250		630	630	1250		1250
	16	16				315						
	20*	20										
	25*	25*										
	32*	32*										
	40*	40*										
	50*	50*										
	63*	63*										
gM	gM		gM	gM	gM		gM					
415	500		415	415	415		550					
200M315	63M80		100M125	200M250	315M400		400M500					
	63M100		100M160	200M315	400M500							
			100M200									
110	113.5	128.5	126	136	136	158	210	210	262	262	210	198
94	97.5	111	111	111	111	133/184	133/184	133/184	167/231	165/231	134/185	149
31	21	21	31	47	59	31	59	74	74	83	83	100
Offset	Centre	Centre	Centre	Centre	Centre	Centre	Centre	Centre	Centre	Centre	Centre	Centre
2	2	2	2	2	2	4	4	4	4	4	4	4
						RS400	RS400					
•	•	•	•	•	•	•	•	•	•	•	•	•
•	•	•	•	•	•	•	•	•	•	•	•	•
•	•	•	•	•	•	•	•	•	•	•	•	•

\* Rated voltage 500 V a.c.

# Index

Catalogue number	Page
100SP	73-74
170H0236	111
170H0238	111
32BS	44
32BSC	44
32CML	44
32CMLC	44
32LSC	44
32LSCC	44
32NNS	47-49
6080SP	73-74
63-100BS	44
63-100CML	44
63-100LSC	44
63ENS	47-49
AAO	7
AC	10
AD	11
BAO	7
BC	11
BD	12
BK-C1515	71
BK-C1520	71
BK-C3030	71
BK-C4545	71
BK-C55	71
BUSBAR-HS	73
BVL50	111
C08G	81
C08M	86
C10G	82
C10M	86-87
C14G	83-84
C14M	87-88
C1515	71
C1520	71
C22G	84-85
C22M	89-90
C3030	71
C4545	71
C55	71
CD	12
CD27	139-140
CD33	139-140
CEO	8
CH14	92-93
CH14-CTP	92
CH14-SPS	92
CH14-TPS	92
CH22	94
CH22-CTP	94
CH22-SPS	94
CH22-TPS	94
CHCC	91
CHM	91
CHPV	91
CHPV14	92-93
CM100	44-46
CM20F	44-45
CM32	44-46
CM63	44-46
CN	144
CNE-HS	73-74
DO-GPK	144
DO-SFH	144
D125	137
D16	135
D200	138
D27	136
D33	137
DD	13
DD01	144
DD02	144

Catalogue number	Page
DEO	9
DIN-20-32	51
EBF	115-117
EBH00 to 4	127-134
EBH000	123-126
EBV	118-122
ED	13
EF	14
EFS	14
ESC-LINK	51
ESD	20
FEH	110
FF	15
FG	16
FN	142-143
FRN	142-143
GD27	139-140
GD33	139-140
GF	15
GG	16
GH	17
GN	144
H07	23
HS07	21
JV-L	92 & 94
KR85	72
KS07	21
KS08	22
KS09	22
LR85	72
LTS-HS	73
M13	24
MJ25-6	75
MJ29-6	76
MJ30	76-77
MJ31	77-78
N15	24-25
N20	26
NHG__B(I)	98-100
NHG__B(I)-400	96-97
NHG__B-690	101-102
NHM	103
NI	44
NIT	28
NITD	6
NSC-LINK	51
NSD	19-20
NZ01	141
NZ02	141-142
NZ03	142
OSC-LINK	51
OSD	8
P20	26
P35	25
P5372-10	59
PJ31	79
R20	27
R40	25
RJ31	79
RS__LOCK	59
RS__RED	59
RS100H	58-64
RS100P	58-65
RS100PH	58-65
RS200H	58-66
RS200P	58-66
RS200PH	58-67
RS20F	58-61
RS20H	58-61
RS20P	58-61
RS32H	58-61
RS32P	58-62
RS400H	58-67

Catalogue number	Page
RS400P	58-68
RS400PH	58-68
RS63H	58-63
RS63P	58-63
RS63PH	58-64
S20	27
SC__LOCK	51
SC100H	50-57
SC125H-D	50-57
SC20BH	50-52
SC20H	50-52
SC20P	50-52
SC32BH	50-54
SC32H-D	50-54
SC32P	50-54
SC63BH	50-56
SC63H	50-56
SC63P	50-56
SCA63CAR	51
SD	109-114
SD__PB	111
SD__SK	110
SDL	110
SFD	138
SFRD	138-139
SJ28	80
SJ31	80
SMD	69
SNE-HS	73-74
SPBP-HS	73
SP-HS-COVER	73
SSC-LINK	51
SSD	18
STD	70
TB	34
TBC	35
TC	35-36
TCA2	59
TC-HS	73
TCP	31-32
TD	109-114
TD-IP20	111
TF	37
TFD	138-139
TFN	143
TFP	32-33
TFRD	138-139
TFRN	143
TIA	29
TIS	29-30
TKF	38
TKM	39
TLM	41
TLU	42
TM	40
TMF	39
TMT	40
TOOL-HS	73
TPBP-HS	73
TP-HS-COVER	73
TT	42
TTM	41
TXU	43
XS	19
XSC-LINK	51



## Contact details

### Customer Satisfaction team

Eaton's Bussmann business Customer Satisfaction team is available to answer questions regarding Bussmann series products.

Calls can be made between:

Monday - Thursday 7.30 a.m. - 5.30 p.m. GMT

Friday 7.30 a.m. - 5.00 p.m. GMT

The Customer Satisfaction team can be reached via:

Phone: 00 44 (0) 1509 882 600

Fax: 00 44 (0) 1509 882 786

Email: [bulesales@eaton.com](mailto:bulesales@eaton.com)

### [www.my.eaton.com](http://www.my.eaton.com)

Tailored just for you. Powerful online tools and resources get you the up-to-date information you need to work smarter, make informed decisions and streamline your transactions with Eaton. Get started today at [www.my.eaton.com](http://www.my.eaton.com) by clicking 'Request User ID and Password'.

- Easy to Navigate
- Simple to Use
- Real-Time Data.

### Online resources

Visit [www.bussmann.com](http://www.bussmann.com) for the following resources:

- Product cross reference
- Product profiles
- Online catalogues for the latest United States and European catalogues.

### Application engineering

Application Engineering assistance is available to all customers. The Application Engineering team is staffed by university-qualified electrical engineers who are available with technical and application support.

Calls can be made between:

Monday - Thursday 8.30 a.m. - 4.30 p.m. GMT

Friday 8.30 a.m. - 4.00 p.m. GMT

Application Engineering can be reached via:

Phone: 00 44 (0) 1509 882 699

Fax: 00 44 (0) 1509 882 794

General technical enquiries: [buletechnical@eaton.com](mailto:buletechnical@eaton.com)

At Eaton, we're energized by the challenge of powering a world that demands more. With over 100 years experience in electrical power management, we have the expertise to see beyond today. From groundbreaking products to turnkey design and engineering services, critical industries around the globe count on Eaton.

We power businesses with reliable, efficient and safe electrical power management solutions. Combined with our personal service, support and bold thinking, we are answering tomorrow's needs today. Follow the charge with Eaton.

Visit [eaton.com/electrical](http://eaton.com/electrical).

## Contact your local Eaton office

Electrical Sector  
Eaton's Bussmann business  
Melton Road  
Burton-on-the-Wolds  
LE12 5TH  
Leicestershire  
United Kingdom  
[bulesales@eaton.com](mailto:bulesales@eaton.com)  
[www.bussmann.com](http://www.bussmann.com)

**Eaton**  
EMEA Headquarters  
Route de la Longeraie 7  
1110 Morges, Switzerland  
[Eaton.eu](http://Eaton.eu)

© 2015 Eaton  
All Rights Reserved  
Printed in the United Kingdom  
Publication No. CA132018EN  
April 2015

Changes to the products, to the information contained in this document, and to prices are reserved; so are errors and omissions. Only order confirmations and technical documentation by Eaton is binding. Photos and pictures also do not warrant a specific layout or functionality. Their use in whatever form is subject to prior approval by Eaton. The same applies to Trademarks (especially Eaton, Moeller, and Cutler-Hammer). The Terms and Conditions of Eaton apply, as referenced on Eaton Internet pages and Eaton order confirmations.

Eaton is a registered trademark.

All other trademarks are property of their respective owners.

Follow us on social media to get the latest product and support information.

