

# Positive Action Switches – Miniature BVM3

## BVM3

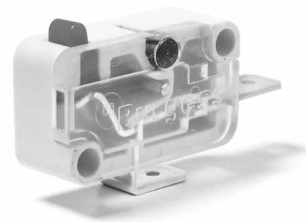
- Characteristics
- Positive-action (forced break) contacts
  - >3 mm contact gap at full travel
  - Internationally recognized V3 housing
  - Faston (quick connect) terminals
  - Safety switch according to CEI 9 u. 7

Rating Up to 250 VAC, 10 A

Dimensions (mm) 28 x 16 x 10.5

Actuator Plunger, plain lever, roller lever

Approvals UL and CSA



## Preferred Product Range

Ordering Reference	Actuating Force		Sealing	Terminal	Circuit	Actuator	Contacts	Electrical rating
	(N)	(oz)						
BVM3FULS	4.5	16.2	IP40	Faston	NC	Plunger	Silver/silver nickel	Up to 250 VAC, 10 A
BVM3FYULS	4.5	16.2	IP40	Faston	NC	Plain lever	Silver/silver nickel	Up to 250 VAC, 10 A
BVM3FYRULS	5.0	18.0	IP40	Faston	NC	Roller lever	Silver/silver nickel	Up to 250 VAC, 10 A

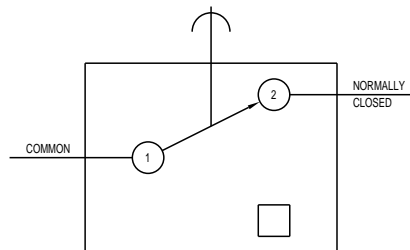
F

# Positive Action Switches – Miniature BVM3

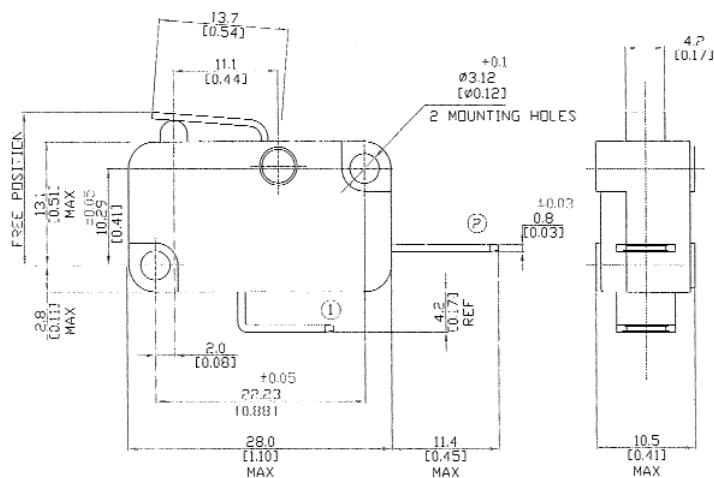
## Specifications

Housing	Glass reinforced nylon
Plunger	Nylon
Mechanism	>3 mm gap, positive-action, single pole
Functions	Normally closed
Contacts	Fixed – silver, Moving – silver nickel
Terminals	6.3 mm (0.25 in) faston NC (2) - brass, Common (1) - brass, silver-plated
Temperature range °C	-40°C to +85°C
Mechanical life	10 <sup>6</sup> cycles minimum, impact-free actuation
Protection	IP40
Mounting	Side mounting
Actuators	Plain lever - stainless steel, roller lever - stainless steel, nylon roller
Lid	Polycarbonate

Circuit diagram



Dimensions  
mm [in]



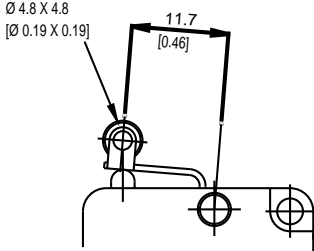
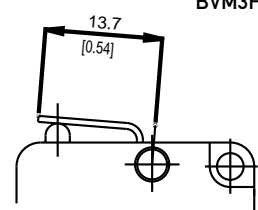
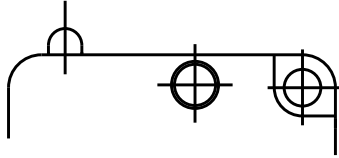
## Recommended Maximum Electrical Ratings

Voltage (max)	Load (A)	Horsepower	Approval
250 VAC	10 (0.75 pf)	-	ULS 1054/CSA 22.2 No. 55 - 100,000 operations
250 VAC	-	½ HP	ULS 1054 - Horsepower - 6,000 operations
125 VAC	-	½ HP	ULS 1054 - Horsepower - 6,000 operations
0 - 15 VDC	10	-	General rating - 50,000 operations
15 - 30 VDC	7	-	General rating - 50,000 operations

# Positive Action Switches – Miniature BVM3

## Operating Characteristics

Actuator	Reference	Actuating Force at contact break		Release Force at total travel		Free Position		Contact gap at total travel	
		Maximum (N)	(oz)	Minimum (N)	(oz)	Maximum (mm)	(in)	Minimum (mm)	(in)
Plunger	BVM3FULS	4.5	16.2	4.8	17.3	15.8	0.62	3.0	0.12
Y Lever mm [in]	BVM3FYULS	4.5	16.2	4.8	17.3	16.8	0.66	3.0	0.12
YR Lever mm [in]	BVM3FYRULS	5.0	18.0	5.5	19.8	22.35	0.88	3.0	0.12



Operating characteristics are specified from the mounting holes.

Total travel: Plunger can be depressed flush with housing. The housing should not be used as an end stop.

## Ordering Reference – How to Build a Part Number

Type	BVM3F	
Actuators	No digit	Plunger
	Y	Straight lever 13.7 mm (0.54 in)
	YR	Roller lever 11.7 mm (0.46 in)
Approvals	UL and CSA	