

Bulletin 1606 Switched Mode Power Supplies

Catalog Number: 1606-XLE480EP, 1606-XLE480EPC

Index

1.	Intended Use	3	21.	Dimensions and Weight	16
2.	Installation Requirements	3	22.	Accessories	17
3.	AC-Input	4	22.1	Wall Mounting Bracket	17
4.	DC-Input	5	22.2	Redundancy Modules	18
5.	Input Inrush Current	5	23.	Application Notes	19
6.	Output	6	23.1	Peak Current Capability	19
7.	Hold-up Time	7	23.2	Back-feeding Loads	20
8.	DC-OK Relay Contact	7	23.3	External Input Protection	20
9.	Efficiency and Power Losses	8	23.4	Output Circuit Breakers	20
10.	Lifetime Expectancy and MTBF	9	23.5	Parallel Use to Increase Output Power	21
11.	Functional Diagrams	9	23.6	Parallel Use for Redundancy	21
12.	Terminals and Wiring	10	23.7	Series Operation	22
13.	Front Side and User Elements	11	23.8	Inductive and Capacitive Loads	22
14.	EMC	12	23.9	Charging of Batteries	22
15.	Environment	13	23.10	Operation on Two Phases	23
16.	Protection Features	14	23.11	Use in a Tightly Sealed Enclosure	23
17.	Safety Features	14	23.12	Mounting Orientations	24
18.	Dielectric Strength	14			
19.	Certifications	15			
20.	Standards Compliance	15			

Terminology and Abbreviations

- **PE and \oplus symbol**—PE is the abbreviation for **Protective Earth** and has the same meaning as the symbol \oplus .
- **Earth, Ground**—This document uses the term “earth” which is the same as the U.S. term “ground”.
- **T.b.d.**—To be defined, value or description will follow later.
- **AC 230V**—A figure displayed with the AC or DC before the value represents a nominal voltage with standard tolerances (usually $\pm 15\%$) included. E.g.: DC 12V describes a 12V battery disregarding whether it is full (13.7V) or flat (10V)
- **230Vac**—A figure with the unit (Vac) at the end is a momentary figure without any additional tolerances included.
- **50Hz vs. 60Hz**—As long as not otherwise stated, AC 230V parameters are valid at 50Hz mains frequency.
- **may**—A key word indicating flexibility of choice with no implied preference.
- **shall**—A key word indicating a mandatory requirement.
- **should**—A key word indicating flexibility of choice with a strongly preferred implementation.

LISTEN.
THINK.
SOLVE.™



Power Supply

- AC 100-240V Wide-range Input
- Width only 65mm
- Efficiency up to 94.0%
- Excellent Partial Load Efficiency
- 20% Output Power Reserves
- Safe Hiccup^{PLUS} Overload Mode
- Easy Fuse Breaking due to High Overload Current (typ. 80A for 15ms)
- Active Power Factor Correction (PFC)
- Minimal Inrush Current Surge
- Full Power Between -25°C and +60°C
- DC-OK Relay Contact
- Current Sharing Feature for Parallel Use
- 3 Year Warranty

General Description

The Allen-Bradley Bulletin 1606-XLE power supplies are cost optimized without compromising quality, reliability and performance. Cat. No. 1606-XLE480EP offers high efficiency, electronic inrush current limitation, active PFC, and a wide operational temperature range. The small size is achieved by a synchronous rectification and further technological design details.

The Bulletin 1606-XLE line of power supplies includes all the essential basic functions. The devices have a power reserve of 20% included, which may even be used continuously at temperatures up to +45°C. Additionally, Cat. No. 1606-XLE480EP can deliver approximately 4 times the nominal output current for 15ms which helps to trip fuses on faulty output branches.

High immunity to transients and power surges as well as low electromagnetic emission, a DC-OK relay contact and a large international approval package for a variety of applications makes this unit suitable for nearly every situation.

CATALOG NUMBERS

Power Supply	1606-XLE480EP	24-28V Standard unit
	1606-XLE480EPC	Conformal coated
Accessories	1606-XLC	Wall Mount Bracket
	1606-XLSRED40HE	Redundancy Module
	1606-XLSREDS40HE	Redundancy Module
	1606-XLSRED40	Redundancy Module

Specifications

Output voltage	DC 24V	
Adjustment range	24 - 28V	
Output current	20A	at 24V, amb <60°C
	24A	at 24V, amb <45°C
	17.1A	at 28V, amb <60°C
	20.6A	at 28V, amb <45°C
Output power	480W	ambient <60°C
	576W	ambient <45°C
Output ripple	< 50mVpp	20Hz to 20MHz
AC Input voltage	AC 100-240V	-15%/+10%
Mains frequency	50-60Hz	±6%
AC Input current	4.36 / 2.33A	at 120 / 230Vac
Power factor	0.99 / 0.95	at 120 / 230Vac
AC Inrush current	typ. 9 / 7A peak	at 120 / 230Vac
Efficiency	92.7 / 94.0%	at 120 / 230Vac
Losses	37.8 / 30.6W	at 120 / 230Vac
Temperature range	-25°C to +70°C	operational
Derating	12W/°C	+60 to +70°C
	between 100-85Vac, see chapter 15, Environment on page 13	
Hold-up time	typ. 26 / 26ms	at 120 / 230Vac
Dimensions	65x124x127mm	WxHxD
Weight	1000g / 2.2lb	

Certifications



UL 508



UL 60950-1



EMC, LVD, RoHS

1.Intended Use

This device is designed for installation in an enclosure and is intended for the general professional use such as in industrial control, office, communication, and instrumentation equipment.

Do not use this power supply in equipment, where malfunction may cause severe personal injury or threaten human life.

This device is designed for use in non-hazardous, ordinary or unclassified locations.

2.Installation Requirements

This device may only be installed and put into operation by qualified personnel.

This device does not contain serviceable parts. The tripping of an internal fuse is caused by an internal defect.

If damage or malfunction should occur during installation or operation, immediately turn power off and send unit to the factory for inspection.

Mount the unit on a DIN-rail so that the terminals are located on the bottom of the unit. For other mounting orientations, refer to [Mounting Orientations on page 24](#).

This device is designed for convection cooling and does not require an external fan. Do not obstruct airflow and do not cover ventilation grid (e.g. cable conduits) by more than 15%!

Keep the following installation clearances: 40mm on top, 20mm on the bottom, 5mm on the left and right sides are recommended when the device is loaded permanently with more than 50% of the rated power. Increase this clearance to 15mm in case the adjacent device is a heat source (e.g. another power supply).



SHOCK HAZARD: Do not use the power supply without proper grounding (Protective Earth). Use the terminal on the input block for earth connection and not one of the screws on the housing.

- Turn power off before working on the device. Protect against inadvertent re-powering
- Make sure that the wiring is correct by following all local and national codes
- Do not modify or repair the unit
- Do not open the unit as high voltages are present inside
- Use caution to prevent any foreign objects from entering the housing
- Do not use in wet locations or in areas where moisture or condensation can be expected
- Do not touch during power-on, and immediately after power-off. Hot surfaces may cause burns.



WARNING: EXPLOSION HAZARDS!

Substitution of components may impair suitability for this environment. Do not disconnect the unit or operate the voltage adjustment or S/P jumper unless power has been switched off or the area is known to be non-hazardous. A suitable enclosure must be provided for the end product which has a minimum protection of IP54 and fulfills the requirements of the EN 60079-15:2010.

3.AC-Input

AC input	nom.	AC 100-240V	suitable for TN-, TT- and IT mains networks
AC input range	min.	100-264Vac	continuous operation
	min.	85-100Vac	short term or with output derating (1%/V) or with reduced ambient temperature, see Figure 15-1 on page 13 ,
	min.	264-300Vac	no damage between 0 and 100Vac < 500ms
Allowed voltage L or N to earth	max.	300Vac	continuous, IEC 62103
Input frequency	nom.	50–60Hz	±6%
Turn-on voltage	typ.	84Vac	steady-state value, see Figure 3-1
Shut-down voltage	typ.	39Vac	steady-state value at 5A load, see Figure 3-1
	typ.	53Vac	steady-state value at 10A load, see Figure 3-1
	typ.	74Vac	steady-state value at 20A load see Figure 3-1

		AC 100V	AC 120V	AC 230V	
Input current	typ.	5.25A	4.36A	2.33A	at 24V, 20A, see Figure 3-3
Power factor ^{*)}	typ.	0.99	0.99	0.95	at 24V, 20A, see Figure 3-4
Crest factor ^{**)}	typ.	1.5	1.5	1.65	at 24V, 20A
Start-up delay	typ.	850ms	850ms	650ms	see Figure 3-2
Rise time	typ.	85ms	85ms	85ms	at 24V, 20A const. current load, 0mF load capacitance, see Figure 3-2
	typ.	150ms	150ms	150ms	at 24V, 20A const. current load, 20mF load capacitance, see Figure 3-2
Turn-on overshoot	max.	200mV	200mV	200mV	see Figure 3-2

*) The power factor is the ratio of the true (or real) power to the apparent power in an AC circuit.

**) The crest factor is the mathematical ratio of the peak value to RMS value of the input current waveform.

Fig. 3-1: Input voltage range

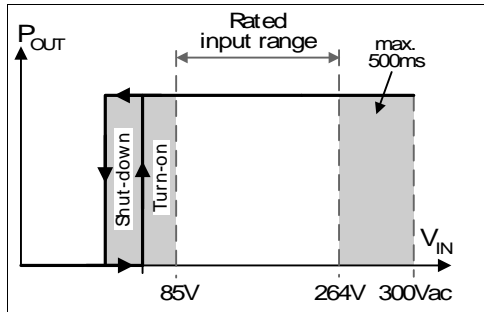


Fig. 3-2: Turn-on behaviour, definitions

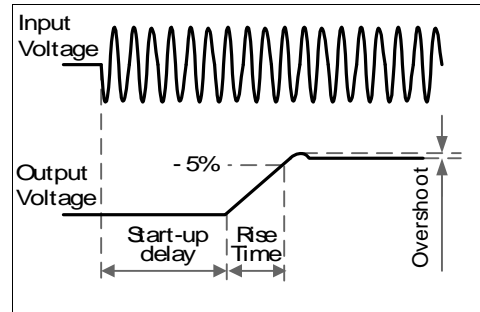


Fig. 3-3: Input current vs. output load at 24V

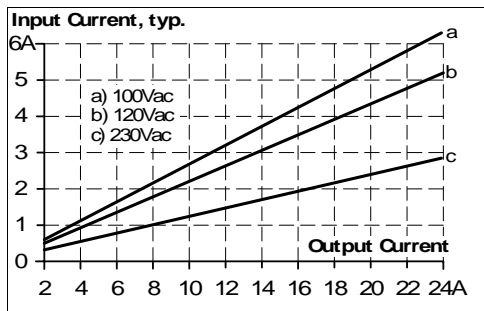
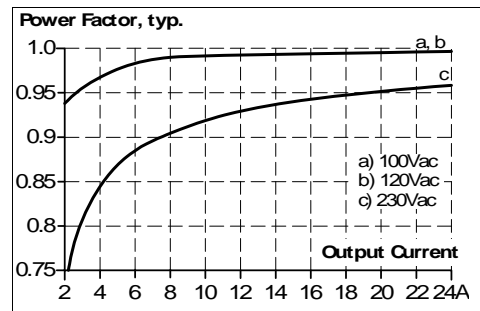


Fig. 3-4: Power factor vs. output load



4. DC-Input

Do not operate this power supply with DC-input voltage. Use Cat. No. 1606-XLE480EP-D instead.

5. Input Inrush Current

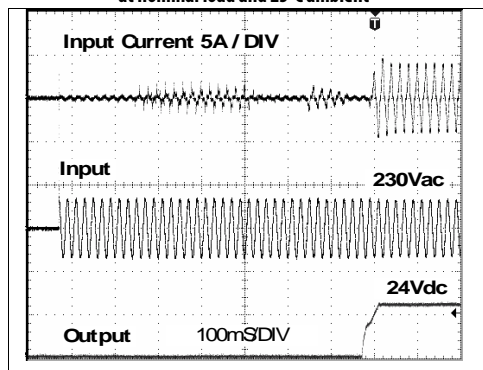
An active inrush limitation circuit limits the input inrush current after turn-on of the input voltage and after short input voltage interruptions.

The charging current into EMI suppression capacitors is disregarded in the first microseconds after switch-on.

		AC 100V	AC 120V	AC 230V	
Inrush current ^{*)}	max.	13A _{peak}	13A _{peak}	13A _{peak}	temperature independent
	typ.	11A _{peak}	9A _{peak}	7A _{peak}	temperature independent
Inrush energy ^{*)}	max.	2A ² s	2.5A ² s	0.5A ² s	temperature independent
Inrush delay	typ.	935ms	935ms	735ms	start-up delay plus rise time

*) Mains interruptions > 500ms

Fig. 5-1: Typical input inrush current behavior at nominal load and 25°C ambient



6. Output

Output voltage	nom.	24V	
Adjustment range	min.	24-28V	guaranteed
	max.	30V ^{****)}	at clockwise end position of potentiometer
	typ.	24.1V	±0.2%, at full load, cold unit, in "single use" mode
Factory settings	typ.	24.1V	±0.2%, at full load, cold unit, in "parallel use" mode
	typ.	25.1V	at no load, cold unit, in "parallel use" mode
Line regulation	max.	10mV	85-300Vac
Load regulation	max.	100mV	in "single use" mode: static value, 0A → 20A; see Figure 6-1
	typ.	1000mV	in "parallel use" mode: static value, 0A → 20A, see Figure 6-2
Ripple and noise voltage	max.	50mVpp	20Hz to 20MHz, 500hm
Output current	nom.	20A	at 24V, ambient temperature <60°C, see Figure 6-1
	nom.	24A ^{*)}	at 24V, ambient temperature <45°C, see Figure 6-1
	nom.	17.1A	at 28V, ambient temperature <60°C, see Figure 6-1
	nom.	20.6A ^{*)}	at 28V, ambient temperature <45°C, see Figure 6-1
	typ.	80A	up to 15ms, output voltage stays above 20V, see Figure 6-4 . This peak current is available once every five seconds. Refer to Peak Current Capability on page 19 for more peak current measurements.
Output power	nom.	480W	continuously available
	nom.	576W ^{*)}	Power Boost ^{*)}
Overload behaviour		cont. current	output voltage > 13Vdc, see Figure 6-1
		Hiccup ^{PLUS} mode ^{**)}	output voltage < 13Vdc, see Figure 6-1
Short-circuit current	min.	35A ^{***)}	load impedance <10mOhm, see Figure 6-3
	max.	45A ^{***)}	load impedance <10mOhm, see Figure 6-1
	max.	15A ^{***)}	average (R.M.S.) current, load impedance 50mOhm, see Figure 6-3
	min.	70A	up to 15ms, load impedance <10mOhm, see Figure 6-4
	typ.	100A	up to 15ms, load impedance <10mOhm, see Figure 6-4
Output capacitance	typ.	7 000µF	included inside the power supply

*) **Power Boost** This power/ current is continuously allowed up to an ambient temperature of 45°C. Above 45°C, do not use this power/ current longer than a duty cycle of 10% and/ or not longer than 1 minute every 10 minutes.

) **Hiccup^{PLUS} Mode At heavy overloads (when output voltage falls below 13V), the power supply delivers continuous output current for 2s. After this, the output is switched off for approx. 18s before a new start attempt is automatically performed. This cycle is repeated as long as the overload exists. If the overload has been cleared, the device will operate normally. See [Figure 6-3](#)

***) Discharge current of output capacitors is not included.

****) This is the maximum output voltage which can occur at the clockwise end position of the potentiometer due to tolerances. It is not guaranteed value which can be achieved. The typical value is about 28.5V (in "single use" mode).

Fig. 6-1: Output voltage vs. output current, typ.

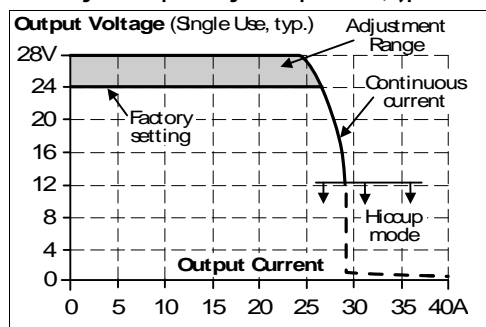


Fig. 6-3: Short-circuit on output, Hiccup^{PLUS} mode, typ.

Fig. 6-2: Output voltage in "parallel use" mode, typ.

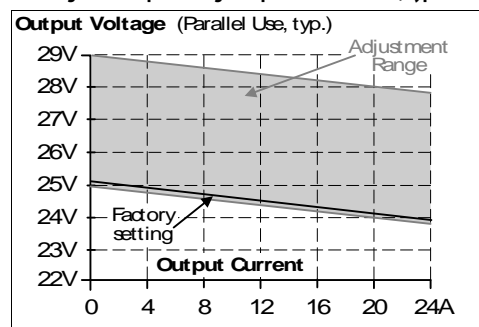
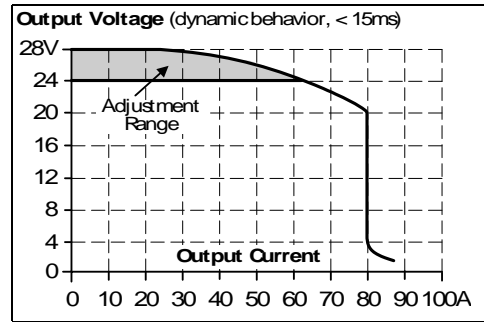
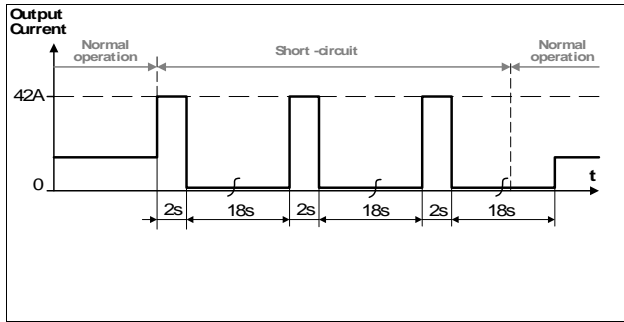


Fig. 6-4: Dynamic overcurrent capability, typ.



7. Hold-up Time

		AC 100V	AC 120V	AC 230V	
Hold-up Time	typ.	65ms	65ms	65ms	at 24V, 10A, see Figure 7-1
	min.	54ms	54ms	54ms	at 24V, 10A, see Figure 7-1
	typ.	26ms	26ms	26ms	at 24V, 20A, see Figure 7-1
	min.	21ms	21ms	21ms	at 24V, 20A, see Figure 7-1

Fig. 7-1: Hold-up time vs. input voltage

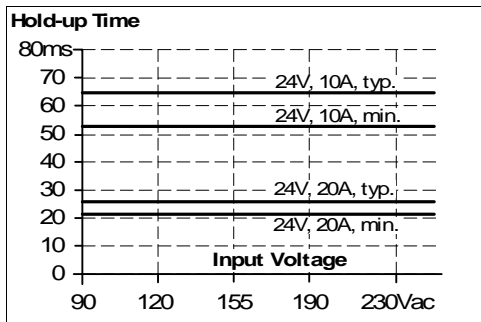
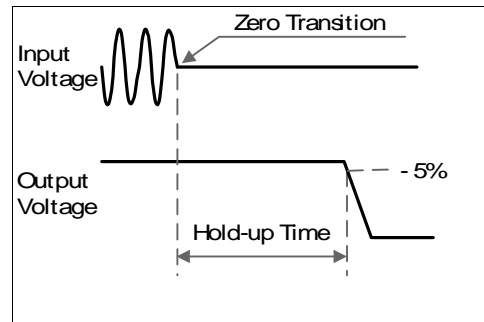


Fig. 7-2: Shut-down behavior, definitions

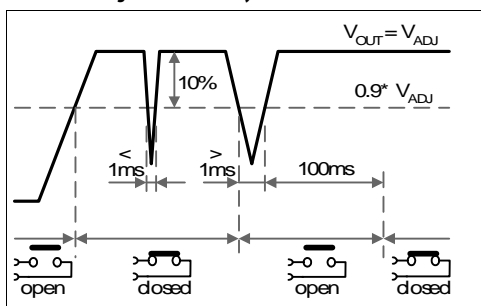


8. DC-OK Relay

This feature monitors the output voltage, which is produced by the power supply itself. It is independent of a back-fed voltage from a unit connected in parallel to the power supply output.

Contact closes	As soon as the output voltage reaches 90% of the adjusted output voltage level.	
Contact opens	As soon as the output voltage dips more than 10% below the adjusted output voltage. Short dips will be extended to a signal length of 100ms. Dips shorter than 1ms will be ignored.	
Contact ratings	max. 60Vdc 0.3A, 30Vdc 1A, 30Vac 0.5A min. 1mA at 5Vdc	resistive load min. permissible load
Isolation voltage	Refer to Dielectric Strength on page 14 .	

Fig. 8-1: DC-ok relay contact behavior



9. Efficiency and Power Losses

		AC 100V	AC 120V	AC 230V	
Efficiency	typ.	92.0%	92.7%	94.0%	at 24V, 20A
	typ.	91.6%	92.4%	94.0%	at 24V, 24A (Power Boost)
Average efficiency ^{*)}	typ.	91.3%	92.0%	93.3%	25% at 5A, 25% at 10A, 25% at 15A, 25% at 20A
Power losses	typ.	6.5W	3.9W	2.6W	at 24V, 0A
	typ.	21.1W	20.1W	17.0W	at 24V, 10A
	typ.	41.7W	37.8W	30.6W	at 24V, 20A
	typ.	52.8W	47.4W	36.8W	at 24V, 24A (Power Boost)

*) The average efficiency is an assumption for a typical application where the power supply is loaded with 25% of the nominal load for 25% of the time, 50% of the nominal load for another 25% of the time, 75% of the nominal load for another 25% of the time and with 100% of the nominal load for the rest of the time.

Fig. 9-1: Efficiency vs. output current at 24V, typ.

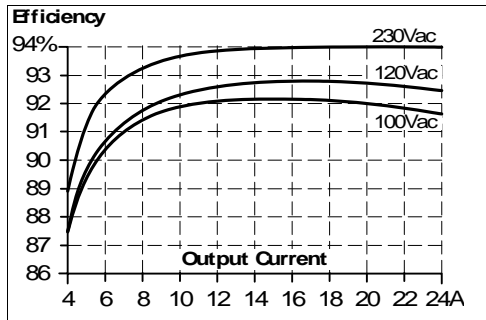


Fig. 9-2: Losses vs. output current at 24V, typ.

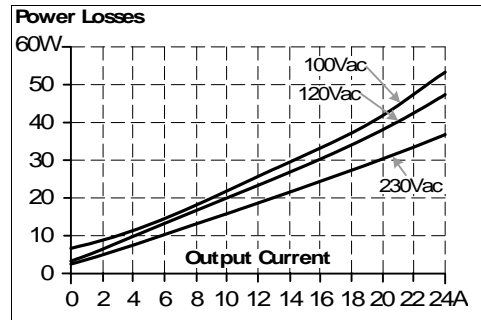


Fig. 9-3: Efficiency vs. input voltage at 24V, 20A, typ.

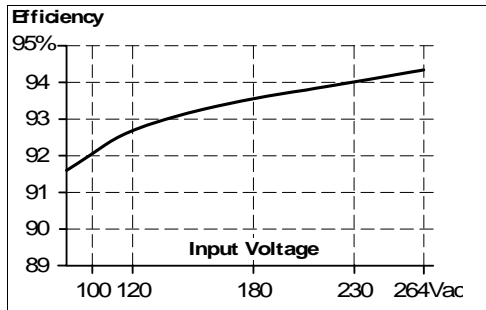
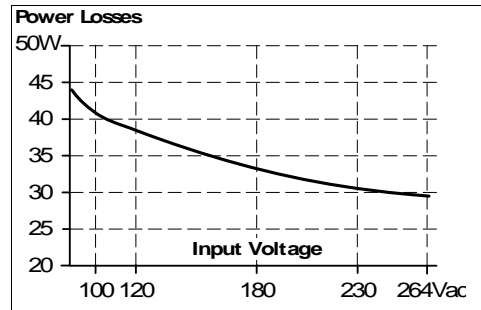


Fig. 9-4: Losses vs. input voltage at 24V, 20A, typ.



10. Lifetime Expectancy and MTBF

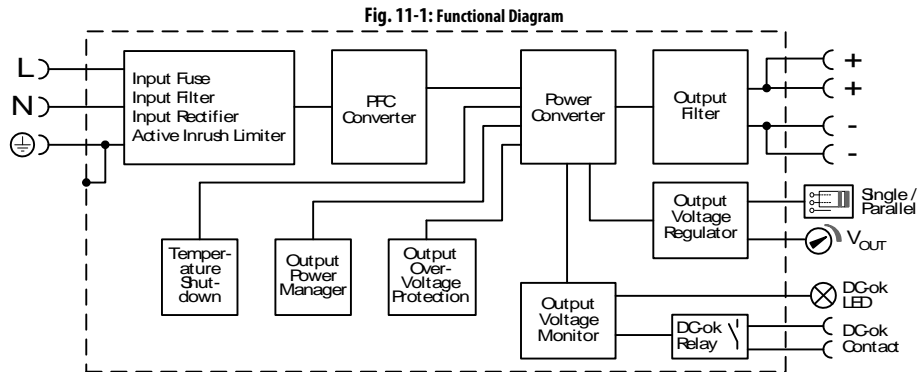
	AC 100V	AC 120V	AC 230V	
Lifetime expectancy ^{*)}	145 000h ^{*)}	150 000h ^{*)}	168 000h ^{*)}	at 24V, 10A and 40°C
	410 000h ^{*)}	425 000h ^{*)}	475 000h ^{*)}	at 24V, 10A and 25°C
	64 000h	70 000h	88 000h	at 24V, 20A and 40°C
	180 000h ^{*)}	198 000h ^{*)}	249 000h ^{*)}	at 24V, 20A and 25°C
	38 000h	46 000h	61 000h	at 24V, 24A and 40°C
	109 000h ^{*)}	130 000h ^{*)}	171 000h ^{*)}	at 24V, 24A and 25°C
MTBF ^{**) SN 29500, IEC 61709}	468 000h	484 000h	537 000h	at 24V, 20A and 40°C
	770 000h	796 000h	882 000h	at 24V, 20A and 25°C
MTBF ^{**) MIL HDBK 217F}	254 000h	261 000h	290 000h	at 24V, 20A and 40°C; Ground Benign GB40
	355 000h	361 000h	395 000h	at 24V, 20A and 25°C; Ground Benign GB25
	56 000h	57 000h	64 000h	at 24V, 20A and 40°C; Ground Fixed GF40
	75 000h	77 000h	86 000h	at 24V, 20A and 25°C; Ground Fixed GF25

*) The **Lifetime expectancy** shown in the table indicates the minimum operating hours (service life) and is determined by the lifetime expectancy of the built-in electrolytic capacitors. Lifetime expectancy is specified in operational hours and is calculated according to the capacitor's manufacturer specification. The manufacturer of the electrolytic capacitors only guarantees a maximum life of up to 15 years (131 400h). Any number exceeding this value is a calculated theoretical lifetime which can be used to compare devices.

) **MTBF stands for **Mean Time Between Failure**, which is calculated according to statistical device failures, and indicates reliability of a device. It is the statistical representation of the likelihood of a unit to fail and does not necessarily represent the life of a product.

The MTBF figure is a statistical representation of the likelihood of a device to fail. A MTBF figure of e.g. 1 000 000h means that statistically one unit will fail every 100 hours if 10 000 units are installed in the field. However, it can not be determined if the failed unit has been running for 50 000h or only for 100h.

11. Functional Diagrams



12. Terminals and Wiring

The terminals are IP20 Finger safe constructed and suitable for field- and factory wiring.

	Input and output	DC-OK-Signal
Type	screw terminals	spring-clamp terminals
Solid wire	0.5-6mm ²	0.15-1.5mm ²
Stranded wire	0.5-4mm ²	0.15-1.5mm ²
American Wire Gauge	AWG20-10	AWG26-14
Max. wire diameter	2.8mm (including ferrules)	1.5mm (including ferrules)
Wire stripping length	7mm / 0.28inch	7mm / 0.28inch
Screwdriver	3.5mm slotted or cross-head No 2	3.5mm slotted (to open the spring)
Recommended tightening torque	1Nm, 9lb.in	not applicable

Instructions:

- a) Use appropriate copper cables that are designed for minimum operating temperatures of:
 60°C for ambient up to 45°C and
 75°C for ambient up to 60°C minimum
 90°C for ambient up to 70°C minimum.
- b) Follow national installation codes and installation regulations!
- c) Ensure that all strands of a stranded wire enter the terminal connection!
- d) Do not use the unit without PE connection.
- e) Unused terminal compartments should be securely tightened.
- f) Ferrules are allowed.

Daisy chaining:

Daisy chaining (jumping from one power supply output to the next) is allowed as long as the average output current through one terminal pin does not exceed 25A. If the current is higher, use a separate distribution terminal block as shown in [Figure 12-2](#).

Fig. 12-1: Daisy chaining of outputs

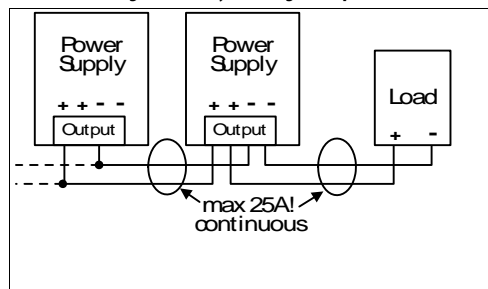
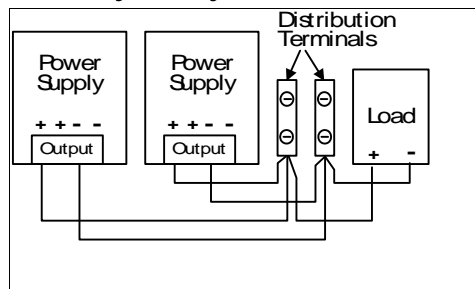


Fig. 12-2: Using distribution terminals



13. Front Side and User Elements

Fig. 13-1: Fig. 13-1 Front side



A Input Terminals (screw terminals)

- N, L Line input
- ⊕ PE (Protective Earth) input

B Output Terminals (screw terminals, two pins per pole)

- + Positive output
- Negative (return) output

C Output voltage potentiometer

Open the flap to adjust the output voltage. Factory set: 24.1V

D DC-OK LED (green)

On, when the output voltage is >90% of the adjusted output voltage

E DC-OK Relay Contact (quick-connect spring-clamp terminals)

The DC-OK relay contact is synchronized with the DC-OK LED.

See [DC-OK Relay on page 7](#) for details.

F “Parallel Use” “Single Use” selector

Set jumper to “Parallel Use” when power supplies are connected in parallel to increase the output power. In order to achieve a sharing of the load current between the individual power supplies, the “parallel use” regulates the output voltage in such a manner that the voltage at no load is approx. 4% higher than at nominal load.

See [Parallel Use to Increase Output Power on page 21](#). A missing jumper is equal to a “Single Use” mode.

14. EMC

The power supply is suitable for applications in industrial environment as well as in residential, commercial and light industry environment without any restrictions. A detailed EMC report is available on request.

EMC Immunity	According generic standards: EN 61000-6-1 and EN 61000-6-2			
Electrostatic discharge	EN 61000-4-2	contact discharge	8kV	Criterion A
		air discharge	15kV	Criterion A
Electromagnetic RF field	EN 61000-4-3	80MHz-2.7GHz	20V/m	Criterion A
Fast transients (Burst)	EN 61000-4-4	input lines	4kV	Criterion A
		output lines	2kV	Criterion A
		DC-OK signal (coupling clamp)	2kV	Criterion A
Surge voltage on input	EN 61000-4-5	L → N	2kV	Criterion A
		L → PE, N → PE	4kV	Criterion A
Surge voltage on output	EN 61000-4-5	+ → -	1kV	Criterion A
		+ / - → PE	2kV	Criterion A
Surge voltage on DC-OK	EN 61000-4-5	DC-OK signal → PE	2kV	Criterion A
Conducted disturbance	EN 61000-4-6	0.15-80MHz	20V	Criterion A
Mains voltage dips	EN 61000-4-11	0% of 100Vac	0Vac, 20ms	Criterion A
		40% of 100Vac	40Vac, 200ms	Criterion C
		70% of 100Vac	70Vac, 500ms	Criterion A
		0% of 200Vac	0Vac, 20ms	Criterion A
		40% of 200Vac	80Vac, 200ms	Criterion A
		70% of 200Vac	140Vac, 500ms	Criterion A
Voltage interruptions	EN 61000-4-11	0% of 200Vac (=0V)	5000ms	Criterion C
Voltage sags	SEMI F47 0706	dips on the input voltage according to SEMI F47 standard		
		80% of 120Vac (96Vac)	1000ms	Criterion A
		70% of 120Vac (84Vac)	500ms	Criterion A
		50% of 120Vac (60Vac)	200ms	Criterion A
Powerful transients	VDE 0160	over entire load range	750V, 1.3ms	Criterion C

Criteria:

- A:** Power supply shows normal operation behavior within the defined limits.
C: Temporary loss of function is possible. Power supply may shut-down and restarts by itself. No damage or hazards for the power supply will occur.

EMC Emission	According generic standards: EN 61000-6-3 and EN 61000-6-4	
Conducted emission	EN 55011, EN 55022, FCC Part 15, CISPR 11, CISPR 22	Class B
input lines		
Conducted emission	IEC/CISPR 16-1-2, IEC/CISPR 16-2-1	limits for DC power port according EN 61000-6-3
output lines ^{**)}		fulfilled
Radiated emission	EN 55011, EN 55022	Class B
Harmonic input current	EN 61000-3-2	fulfilled for class A equipment
Voltage fluctuations, flicker	EN 61000-3-3	fulfilled ^{*)}

This device complies with FCC Part 15 rules.

Operation is subjected to following two conditions: (1) this device may not cause harmful interference, and (2) this device must accept any interference received, including interference that may cause undesired operation.

^{*)} tested with constant current loads, non pulsing

^{**)} for information only, not mandatory for EN 61000-6-3

Switching Frequencies	The power supply has two converters with two different switching frequencies included.	
Switching frequency 1	70kHz to 130kHz	PFC converter, input voltage and output power dependent
Switching frequency 2	80kHz to 140kHz	Main converter, output power dependent

15. Environment

Operational temperature ^{*)}	-25°C to +70°C (-13°F to 158°F)	reduce output power according to Figure 15-1
Storage temperature	-40 to +85°C (-40°F to 185°F)	for storage and transportation
Output de-rating	6.4W/°C 12W/°C	45°C to 60°C (113°F to 140°F) 60°C to 70°C (140°F to 158°F)
Humidity ^{**)}	5 to 95% r.h.	IEC 60068-2-30
Vibration sinusoidal	2-17.8Hz: ±1.6mm; 17.8-500Hz: 2g	IEC 60068-2-6
Shock	2 hours / axis 30g 6ms, 20g 11ms 3 bumps / direction, 18 bumps in total	IEC 60068-2-27
Altitude	0 to 2000m (0 to 6 560ft) 2000 to 6000m (6 560 to 20 000ft)	without any restrictions reduce output power or ambient temperature, see Figure 15-2 IEC 62103, EN 50178, overvoltage category II
Altitude de-rating	30W/1000m or 5°C/1000m	> 2000m (6500ft), see Figure 15-2
Over-voltage category	III II	IEC 62103, EN 50178, altitudes up to 2000m altitudes from 2000m to 6000m
Degree of pollution	2	IEC 62103, EN 50178, not conductive
LABS compatibility	The unit does not release any silicone or other LABS-critical substances and is suitable for use in paint shops.	
Audible noise	At load currents below 2A some audible noise will be emitted from the power supply	

^{*)} Operational temperature is the same as the ambient temperature and is defined as the air temperature 2cm below the unit.

^{**)} Do not energize while condensation is present

Fig. 15-1: Output current vs. ambient temp.

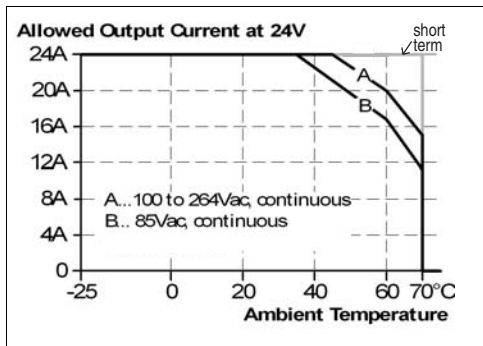
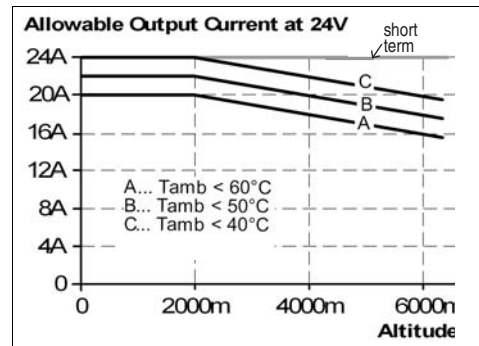


Fig. 15-2: Output current vs. altitude



See [AC-Input on page 4](#) for de-rating requirements for input voltages between 85Vac and 100Vac.

16. Protection Features

Output protection	Electronically protected against overload, no-load and short-circuits ^{*)}	
Output over-voltage protection	typ. 30.5Vdc max. 32Vdc	In case of an internal power supply defect, a redundant circuit limits the maximum output voltage. The output shuts down and automatically attempts to restart.
Degree of protection	IP 20	EN/IEC 60529
Penetration protection	> 5mm	e.g. screws, small parts
Over-temperature protection	yes	Output shut-down with automatic restart
Input transient protection	MOV (Metal Oxide Varistor)	
Internal input fuse	included	not user replaceable

^{*)} In case of a protection event, audible noise may occur.

17. Safety Features

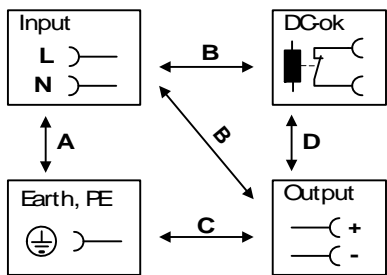
Input / output separation ^{*)}	SELV PELV double or reinforced insulation	IEC/EN 60950-1 IEC/EN 60204-1, EN 50178, IEC 62103, IEC 60364-4-41
Class of protection	I	PE (Protective Earth) connection required
Isolation resistance	> 5MΩhm	input to output, 500Vdc
PE resistance	< 0.10hm	
Touch current (leakage current)	typ. 0.14mA / 0.37mA typ. 0.20mA / 0.55mA typ. 0.35mA / 0.87mA max. 0.17mA / 0.46mA max. 0.26mA / 0.67mA max. 0.46mA / 1.08mA	100Vac, 50Hz, TN-,TT-mains / IT-mains 120Vac, 60Hz, TN-,TT-mains / IT-mains 230Vac, 50Hz, TN-,TT-mains / IT-mains 110Vac, 50Hz, TN-,TT-mains / IT-mains 132Vac, 60Hz, TN-,TT-mains / IT-mains 264Vac, 50Hz, TN-,TT-mains / IT-mains

^{*)} double or reinforced insulation

18. Dielectric Strength

The output voltage is floating and has no ohmic connection to the ground. Type and factory tests are conducted by the manufacturer. Field tests may be conducted in the field using the appropriate test equipment which applies the voltage with a slow ramp (2s up and 2s down). Connect all input-terminals together as well as all output poles before conducting the test. When testing, set the cut-off current settings to the value in the table below.

Fig. 18-1: Dielectric strength



		A	B	C	D
Type test	60s	2500Vac	3000Vac	1500Vac	500Vac
Factory test	5s	2500Vac	2500Vac	1000Vac	500Vac
Field test	5s	2000Vac	2000Vac	1000Vac	500Vac
Cut-off current setting		> 15mA	> 15mA	> 20mA	> 1mA

To fulfil the PELV requirements according to EN60204-1 § 6.4.1, we recommend that either the + pole, the – pole or any other part of the output circuit shall be connected to the protective earth system. This helps to avoid situations in which a load starts unexpectedly or can not be switched off when unnoticed earth faults occur.

19. Certifications

EC Declaration of Conformity



The CE mark indicates conformance with the
 - EMC directive 2004/108/EC,
 - Low-voltage directive (LVD) 2006/95/EC and
 - RoHS directive 2011/65/EU.

UL 508



Listed for use as Industrial Control Equipment;
 U.S.A. (UL 508) and Canada (C22.2 No. 107-1-01);
 E-File: E56639

UL 60950-1
 2nd Edition



Recognized for use as Information Technology Equipment, Level 5; U.S.A. (UL 60950-1) and
 Canada (C22.2 No. 60950-1);
 E-File: E168663

20. Standards Compliance

EN 61558-2-17	Safety of Power Transformers
EN/IEC 60204-1	Safety of Electrical Equipment of Machines
EN/IEC 61131-2	Programmable Controllers
EN 50178, IEC 62103	Electronic Equipment in Power Installations
SEMI F47-0706	Ride-through compliance for the semiconductor industry

21. Dimensions and Weight

Weight	1000g / 2.2lb
DIN-Rail	Use 35mm DIN-rails according to EN 60715 or EN 50022 with a height of 7.5 or 15mm. The DIN-rail height must be added to the unit depth (127mm) to calculate the total required installation depth.
Installation Clearances	See Installation Requirements on page 3

Fig. 21-1: Front view

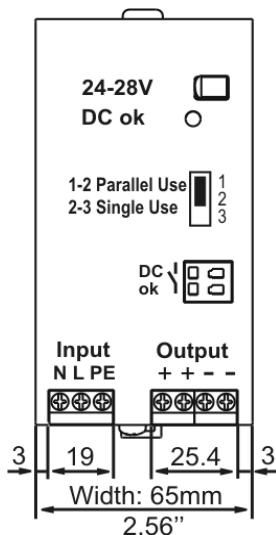
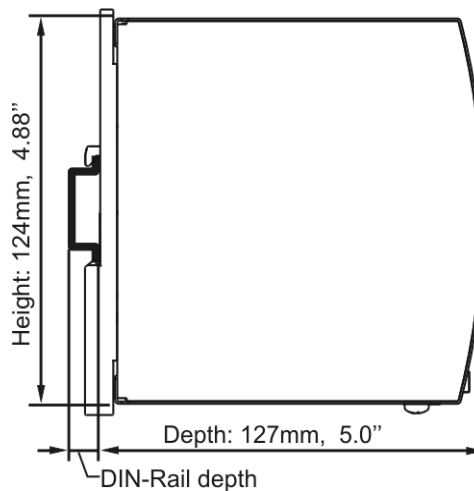


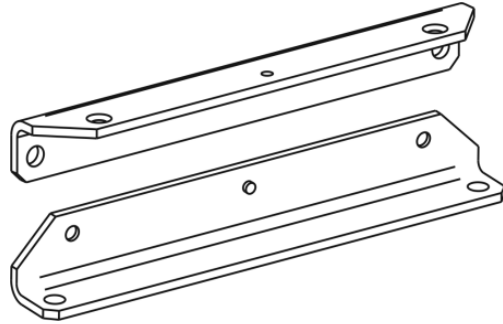
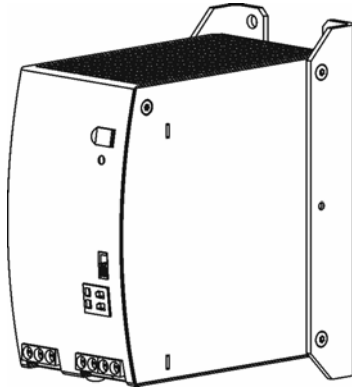
Fig. 21-2: Side view



22. Accessories

22.1 Wall Mounting Bracket (Cat. No. 1606-XLS)

This bracket is used to mount the power supply onto a flat surface without utilizing a DIN-Rail.



22.2 Redundancy Modules

1606-XLSRED40HE – (2x 20A Inputs, 1x 40A output)

The redundancy modules in the HE-series are specially designed for power supplies, which feature the HiccupPLUS overload behavior. The 1606-XLSRED40HE is the preferred redundancy module for the 1606-XLE480EP power supply. It is equipped with two input channels, which are individually decoupled by utilizing mosfet technology. Using mosfets instead of diodes reduces the heat generation and the voltage drop between input and output. The 1606-XLSRED40HE does not require an additional auxiliary voltage and is self-powered even in case of a short circuit across the output.

Due to the low power losses, the unit is very slender and only requires 36mm width on the DIN-rail.

1606-XLSRED40 – (2x 20A Inputs, 1x 40A output)

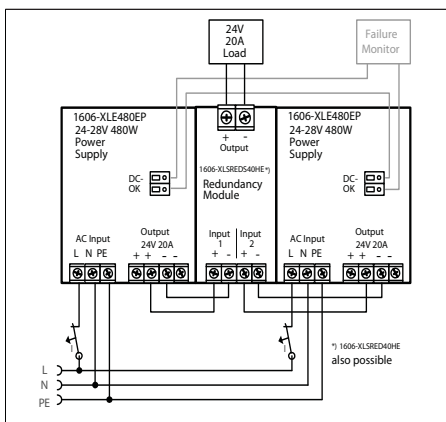
The 1606-XLSRED40 redundancy module is a unit, that is also suitable in combination with power supplies, which have a continuous current overload behavior. Size and performance are the same as the 1606-XLSRED40HE. The 1606-XLSRED40 is more complex than the 1606-XLSRED40HE units and therefore higher in cost. The terminal arrangement of the 1606-XLSRED40 are different than the 1606-XLSRED40HE. The output terminal is located on top and the input terminals are on the bottom of the unit in order for a better match to the power supplies of the XLS series that do not feature the HiccupPLUS overload behavior.

1606-XLSREDS40HE – (1x 40A input, 1x 40A output)

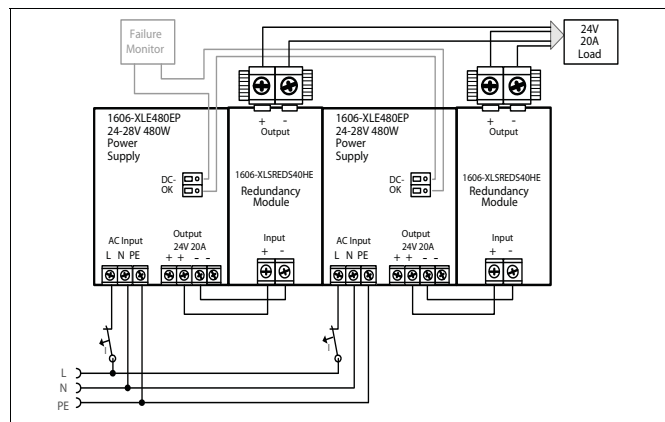
The single channel redundancy modules in the HE-series are specially designed for power supplies, which feature the HiccupPLUS overload behavior. The 1606-XLSREDS40HE is a 40A single channel redundancy module, which is equipped with a plug connector on the output. The plug connector allows replacing the power supply or the redundancy module while the system is running. The plug connector avoids that the output wires can touch and short the load circuit.

The 1606-XLSREDS40HE is very slender and only requires 46mm width on the DIN-rail. It also utilizes mosfet technology instead of diodes for low heat generation and a minimal voltage drop between input and output. It does not require an additional auxiliary voltage and is self-powered even in case of a short circuit across the output.

Typical 1+1 Redundant Configuration for 20 A with a dual redundancy module.



Typical N+1 or 1+1 Redundant Configuration for 20 A with multiple 1606-XLSREDS40HE redundancy modules.



23. Application Notes

23.1 Peak Current Capability

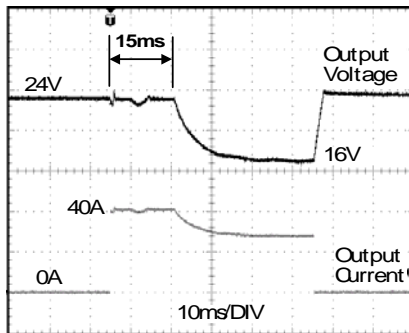
The power supply can deliver peak currents (up to several milliseconds) which are higher than the specified short term currents.

This helps to start current demanding loads. Solenoids, contactors and pneumatic modules often have a steady state coil and a pick-up coil. The inrush current demand of the pick-up coil is several times higher than the steady-state current and usually exceeds the nominal output current (including the PowerBoost). The same situation applies when starting a capacitive load.

The peak current capability also ensures the safe operation of subsequent circuit breakers of load circuits. The load branches are often individually protected with circuit breakers or fuses. In case of a short or an overload in one branch circuit, the fuse or circuit breaker need a certain amount of over-current to open in a timely manner. This avoids voltage loss in adjacent circuits.

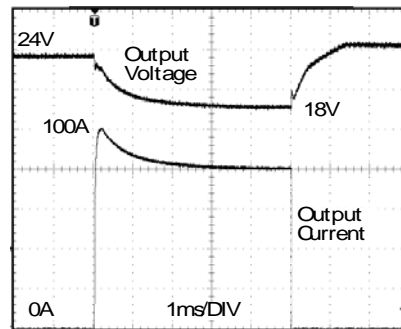
The extra current (peak current) is supplied by the power converter and the built-in large sized output capacitors of the power supply. The capacitors get discharged during such an event, which causes a voltage dip on the output. The following two examples show typical voltage dips:

Fig. 23-1: - Peak load with 2x the nominal current for 50ms, typ.



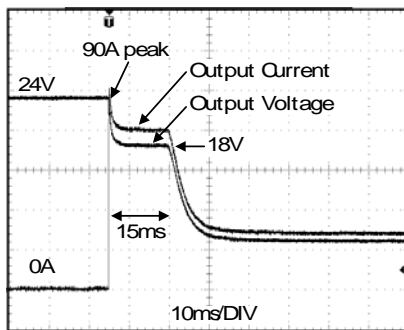
40A Peak load (resistive) for 50ms
Output voltage dips from 24V to 16V.

Fig.23-2: - Peak load with 5x the nominal current for 5ms, typ.



100A Peak load (resistive) for 5ms
Output voltage dips from 24V to 18V.

Fig.23-3: - 90A Peak load, typ.



High Overload Current (typ. >90A for 15ms) enables easy fuse tripping

Please note: The DC-OK relay triggers when the voltage dips more than 10% for longer than 1ms.

Peak current voltage dips	typ.	from 24V to 16V	at 40A for 50ms, resistive load
	typ.	from 24V to 18.5V	at 100A for 2ms, resistive load
	typ.	from 24V to 18V	at 100A for 5ms, resistive load

23.2 Back-feeding Loads

Loads such as decelerating motors and inductors can feed voltage back to the power supply. This feature is also called return voltage immunity or resistance against Back- E.M.F. (Electro Magnetic Force).

This power supply is resistant and does not show malfunctioning when a load feeds back voltage to the power supply. It does not matter whether the power supply is on or off.

The maximum allowed feed-back-voltage is 35V DC.

23.3 External Input Protection

The unit is tested and approved for branch circuits up to 30A (UL) and 32A (IEC). An external protection is only required if the supplying branch has an ampacity greater than this. Check also local codes and local requirements. In some countries local regulations might apply.

If an external fuse is necessary or utilized, minimum requirements need to be considered to avoid nuisance tripping of the circuit breaker. A minimum value of 10A B- or C-Characteristic breaker should be used.

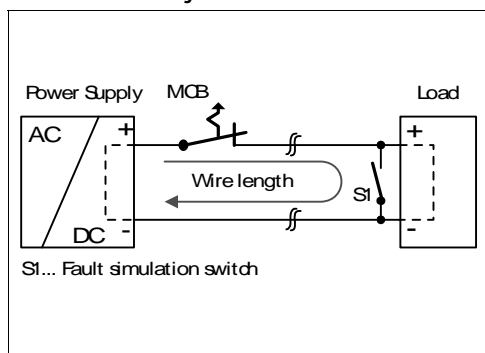
23.4 Output Circuit Breakers

Standard miniature circuit breakers (MCB's or UL 1077 circuit breakers) are commonly used for AC-supply systems and may also be used on 24V branches.

MCB's are designed to protect wires and circuits. If the ampere value and the characteristics of the MCB are adapted to the wire size that is used, the wiring is considered as thermally safe regardless of whether the MCB opens or not.

To avoid voltage dips and under-voltage situations in adjacent 24V branches which are supplied by the same source, a fast (magnetic) tripping of the MCB is desired. A quick shutdown within 10ms is necessary corresponding roughly to the ride-through time of PLC's. This requires power supplies with high current reserves and large output capacitors. Furthermore, the impedance of the faulty branch must be sufficiently small in order for the current to actually flow. The best current reserve in the power supply does not help if Ohm's law does not permit current flow. The following table has typical test results showing which B- and C-Characteristic MCBs magnetically trip depending on the wire cross section and wire length.

Fig.23-4 Test circuit



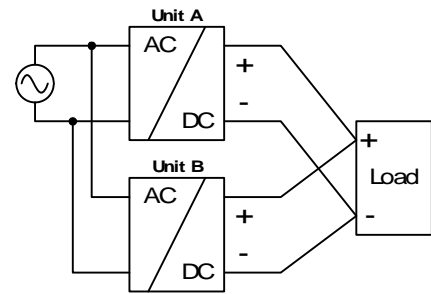
Maximal wire length^{*)} for a fast (magnetic) tripping:

	0.75mm ²	1.0mm ²	1.5mm ²	2.5mm ²
C-2A	29m	40m	56m	82m
C-3A	26m	35m	50m	77m
C-4A	21m	28m	36m	53m
C-6A	8m	10m	14m	25m
C-8A	4m	7m	11m	18m
C-10A	1m	2m	3m	6m
B-6A	17m	24m	35m	53m
B-10A	12m	16m	23m	32m
B-13A	9m	13m	20m	29m
B-16A	4m	7m	9m	17m
B-20A	1m	1m	2m	2m

*) Don't forget to consider twice the distance to the load (or cable length) when calculating the total wire length (+ and - wire).

23.5 Parallel Use to Increase Output Power

The 1606-XLE480EP power supplies can be paralleled to increase the output power. The output voltage of all power supplies shall be adjusted to the same value ($\pm 100\text{mV}$) in “Single use” mode with the same load conditions on all units, or the units can be left with the factory settings. After the adjustments, the jumper on the front of the unit shall be moved from “Single use” to “Parallel use”, in order to achieve load sharing. The “Parallel use” mode regulates the output voltage in such a manner that the voltage at no load is approx. 4% higher than at nominal load. See [Output on page 6](#). If no jumper is plugged in, the unit is in “Single use” mode. Factory setting is “Single use” mode.



If more than three units are connected in parallel, a fuse or circuit breaker with a rating of 30A or 32A is required on each output. Alternatively, a diode or redundancy module can also be utilized.

Energize all units at the same time to avoid the overload Hiccup^{PLUS} mode. It also might be necessary to cycle the input power (turn-off for at least five seconds), if the output was in Hiccup^{PLUS} mode due to overload or short circuits and the required output current is higher than the current of one unit.

Keep an installation clearance of 15mm (left / right) between two power supplies and avoid installing the power supplies on top of each other. Do not use power supplies in parallel in mounting orientations other than the standard mounting orientation (terminals on bottom of the unit) or in any other condition where a derating of the output current is required (e.g. altitude, above 60°C, ...).

Pay attention that leakage current, EMI, inrush current, harmonics will increase when using multiple power supplies.

23.6 Parallel Use for Redundancy

Power supplies can be paralleled for redundancy to gain higher system availability. Redundant systems require a certain amount of extra power to support the load in case one power supply unit fails. The simplest way is to put two power supplies in parallel. This is called a 1+1 redundancy. In case one power supply unit fails, the other one is automatically able to support the load current without any interruption. Redundant systems for a higher power demand are usually built in a N+1 method. E.g. five power supplies, each rated for 20A are paralleled to build a 80A redundant system. For N+1 redundancy the same restrictions apply as for increasing the output power, see also Chapter 23.5, [Parallel Use to Increase Output Power](#).

Please note: This simple way to build a redundant system does not cover failures such as an internal short circuit in the secondary side of the power supply. In such a case, the defective unit becomes a load for the other power supplies and the output voltage can not be maintained any more. This can be avoided by utilizing redundancy modules, which have decoupling devices (diodes or mosfets) included. Further information and wiring configurations can be found in chapter 22.3- [Redundancy Modules on page 18](#).

Recommendations for building redundant power systems:

Use separate input fuses for each power supply.

Set the power supply into “Parallel use” mode.

Monitor the individual power supply units. Therefore, use the DC-OK relay contact of the XLE480EP power supply.

It is desirable to set the output voltages of all units to the same value ($\pm 100\text{mV}$) or leave it at the factory setting.

23.7 Series Operation

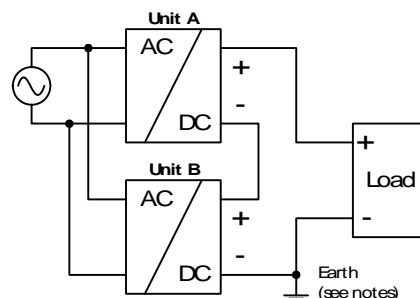
Power supplies of the same type can be connected in series for higher output voltages. It is possible to connect as many units in series as needed, providing the sum of the output voltage does not exceed 150Vdc. Voltages with a potential above 60Vdc are not SELV any more and can be dangerous. Such voltages must be installed with a protection against touching.

Earthing of the output is required when the sum of the output voltage is above 60Vdc.

Avoid return voltage (e.g. from a decelerating motor or battery) which is applied to the output terminals.

Keep an installation clearance of 15mm (left / right) between two power supplies and avoid installing the power supplies on top of each other. Do not use power supplies in series in mounting orientations other than the standard mounting orientation (terminals on bottom of the unit).

Pay attention that leakage current, EMI, inrush current, harmonics will increase when using multiple power supplies.



23.8 Inductive and Capacitive Loads

The unit is designed to supply any kind of loads, including capacitive and inductive loads. If extreme large capacitors, such as EDLCs (electric double layer capacitors or “UltraCaps”) with a capacitance > 0.5F are connected to the output, the unit might charge the capacitor in the Hiccup^{PLUS} mode (See [Output on page 6](#)).

23.9 Charging of Batteries

The power supply can be used to charge lead-acid or maintenance free batteries. (Two 12V batteries in series)

Instructions for charging batteries:

- a. Set output voltage (measured at no load and at the battery end of the cable) very precisely to the end-of-charge voltage.

End-of-charge voltage	27.8V	27.5V	27.15V	26.8V
Battery temperature	10°C	20°C	30°C	40°C

- b. Use a 30A or 32A circuit breaker (or blocking diode) between the power supply and the battery.
- c. Ensure that the output current of the power supply is below the allowed charging current of the battery.
- d. Use only matched batteries when putting 12V types in series.
- e. The return current to the power supply (battery discharge current) is typ. 23mA when the power supply is switched off (except in case a blocking diode is utilized).

23.10 Operation on Two Phases

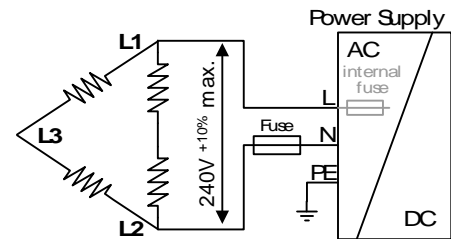
The power supply can also be used on two-phases of a three-phase-system. Such a phase-to-phase connection is allowed as long as the supplying voltage is below $240V^{+10\%}$. Use a fuse or a circuit breaker to protect the N input. The N input is internally not protected and is in this case connected to a hot wire. Appropriate fuses or circuit breakers are specified in section "External Input Protection".

23.11 Use in a Tightly Sealed Enclosure

When the power supply is installed in a tightly sealed enclosure, the temperature inside the enclosure will be higher than outside. In such situations, the inside temperature defines the ambient temperature for the power supply.

The following measurement results can be used as a reference to estimate the temperature rise inside the enclosure.

The power supply is placed in the middle of the box, no other heat producing items are inside the box

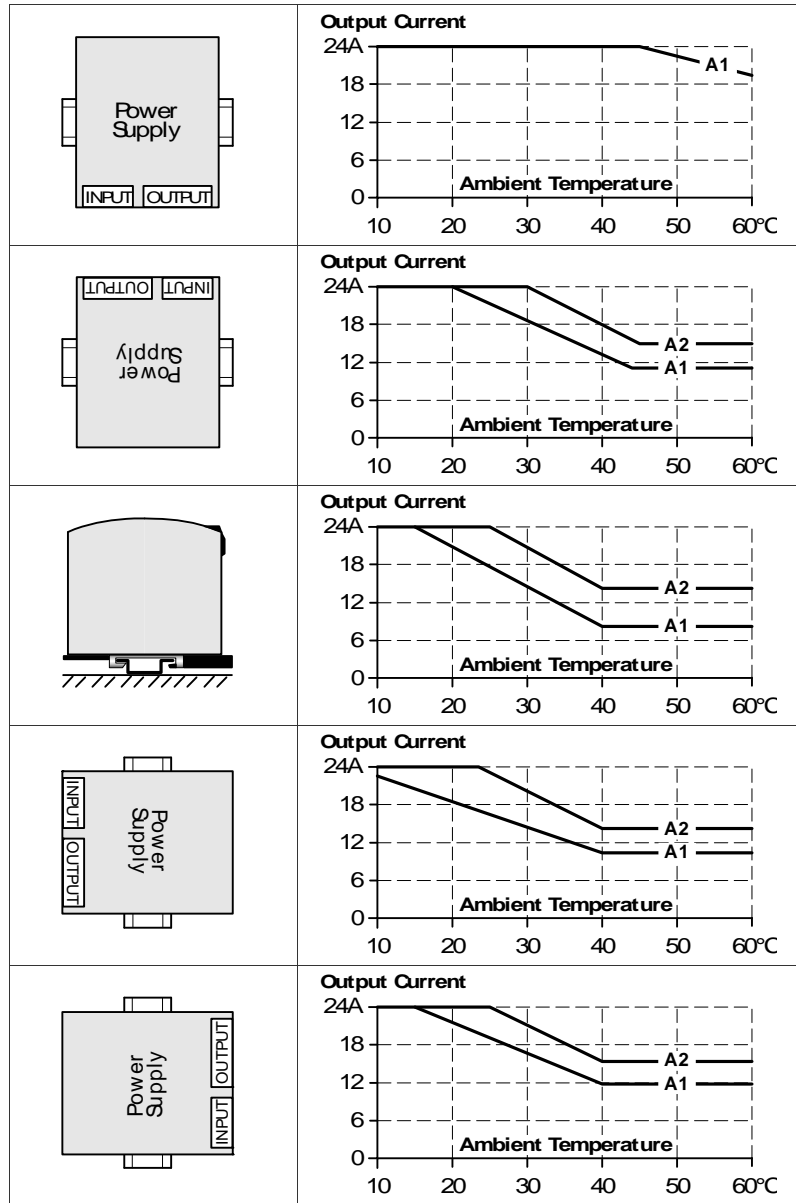


23.12 Mounting Orientations

Mounting orientations other than all terminals on the bottom require a reduction in continuous output power or a limitation in the maximum allowed ambient temperature. The amount of reduction influences the lifetime expectancy of the power supply. Therefore, two different derating curves for continuous operation can be found below:

Curve A1 Recommended output current.

Curve A2 Max allowed output current (results in approximately half the lifetime expectancy of A1).



Enclosure: Rittal Typ IP66 Box PK 9522 100, plastic, 254x180x165mm

Load: 24V, 16A; (=80%) load is placed outside the box

Input: 230Vac

Temperature inside enclosure: 53.5°C (in the middle of the right side of the power supply with a distance of 2cm)

Temperature outside enclosure: 25.3°C

Temperature rise: 28.2K

Rockwell Automation Support

Rockwell Automation provides technical information on the Web to assist you in using its products.

At <http://www.rockwellautomation.com/support>, you can find technical manuals, technical and application notes, sample code and links to software service packs, and a MySupport feature that you can customize to make the best use of these tools. You can also visit our Knowledgebase at <http://www.rockwellautomation.com/knowledgebase> for FAQs, technical information, support chat and forums, software updates, and to sign up for product notification updates.

For an additional level of technical phone support for installation, configuration, and troubleshooting, we offer TechConnectSM support programs. For more information, contact your local distributor or Rockwell Automation representative, or visit <http://www.rockwellautomation.com/support/>.

Installation Assistance

If you experience a problem within the first 24 hours of installation, review the information that is contained in this manual. You can contact Customer Support for initial help in getting your product up and running.

United States or Canada	1.440.646.3434
Outside United States or Canada	Use the Worldwide Locator at http://www.rockwellautomation.com/rockwellautomation/support/overview.page , or contact your local Rockwell Automation representative.

New Product Satisfaction Return

Rockwell Automation tests all of its products to help ensure that they are fully operational when shipped from the manufacturing facility. However, if your product is not functioning and needs to be returned, follow these procedures.

United States	Contact your distributor. You must provide a Customer Support case number (call the phone number above to obtain one) to your distributor to complete the return process.
Outside United States	Please contact your local Rockwell Automation representative for the return procedure.

Documentation Feedback

Your comments will help us serve your documentation needs better. If you have any suggestions on how to improve this document, complete this form, publication [RA-DU002](#), available at <http://www.rockwellautomation.com/literature/>.

www.rockwellautomation.com

Power, Control and Information Solutions Headquarters

Americas: Rockwell Automation, 1201 South Second Street, Milwaukee, WI 53204-2496 USA, Tel: (1) 414.382.2000, Fax: (1) 414.382.4444
Europe/Middle East/Africa: Rockwell Automation NV, Pegasus Park, De Kleetlaan 12a, 1831 Diegem, Belgium, Tel: (32) 2 663 0600, Fax: (32) 2 663 0640
Asia Pacific: Rockwell Automation, Level 14, Core F, Cyberport 3, 100 Cyberport Road, Hong Kong, Tel: (852) 2887 4788, Fax: (852) 2508 1846