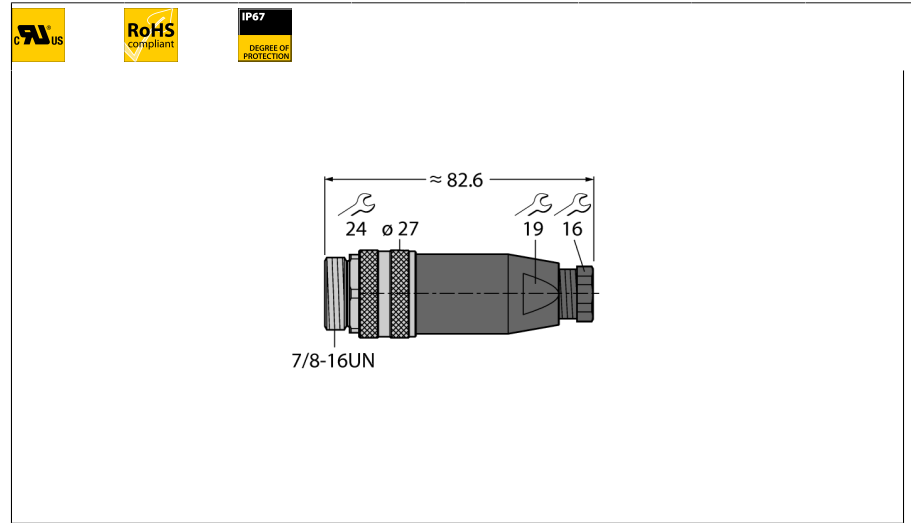


**7/8" Round Connector**  
**Field wireable, male connector, straight**  
**BS4151-0/9**

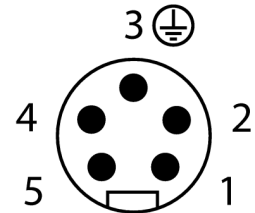


- Metal coupling nut
- UL approval
- Screw-clamp terminal
- 5-pin
- PG9 screw-in thread
- Cable feedthrough 6.0...8.0 mm

**Fieldbus**



**Power Supply**



<b>Type designation</b>	BS4151-0/9
Ident no.	6904718
<b>Connector A</b>	Field-wireable Connector, 7/8", Straight
Number of pins	5
Contacts	Brass, CuZn, Gold-plated
Contact carriers	Plastic, PA 66 (UL 94 HB), Black
Connector body	Plastic, PBT(UL 94 V0), Black
Coupling nut/screw	Die-cast zinc, GD-Zn, Nickel-plated
Screw-in thread	PG9
External diameter of the cable	min. 6...8mm
Core cross-section/Clamping ability	0.14...1.5mm <sup>2</sup>
Connection mode	Screw/clamp connection
Mechanical lifespan	> 50 Mating cycles
Pollution degree	3
Protection class	IP67, (screwed together)
<b>Shielding</b>	no
<b>Electrical properties at +20 °C</b>	
Rated voltage	600 V
Current	9 A
Insulation resistance	≥ 10 <sup>9</sup> Ω
Forward resistance	≤ 3 mΩ
<b>Mechanical and chemical properties</b>	
Ambient temperature	
Stationary	-25...+85°C
<b>Approvals</b>	UL