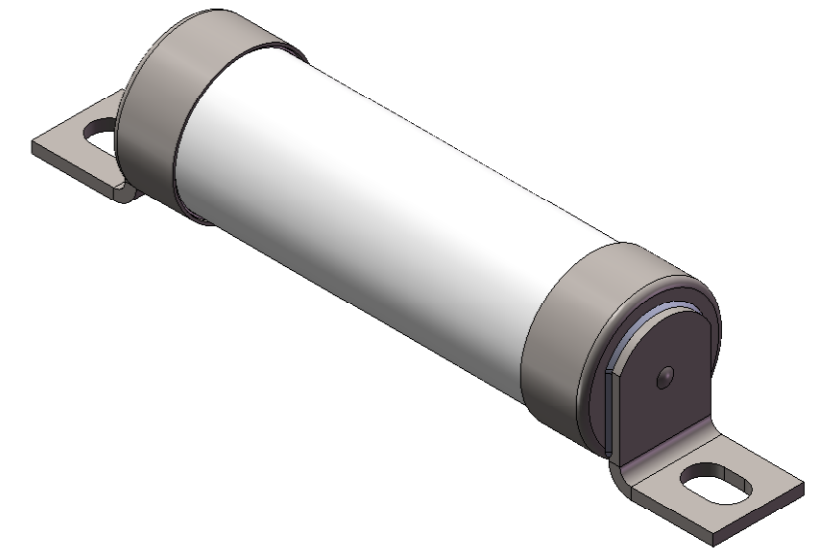
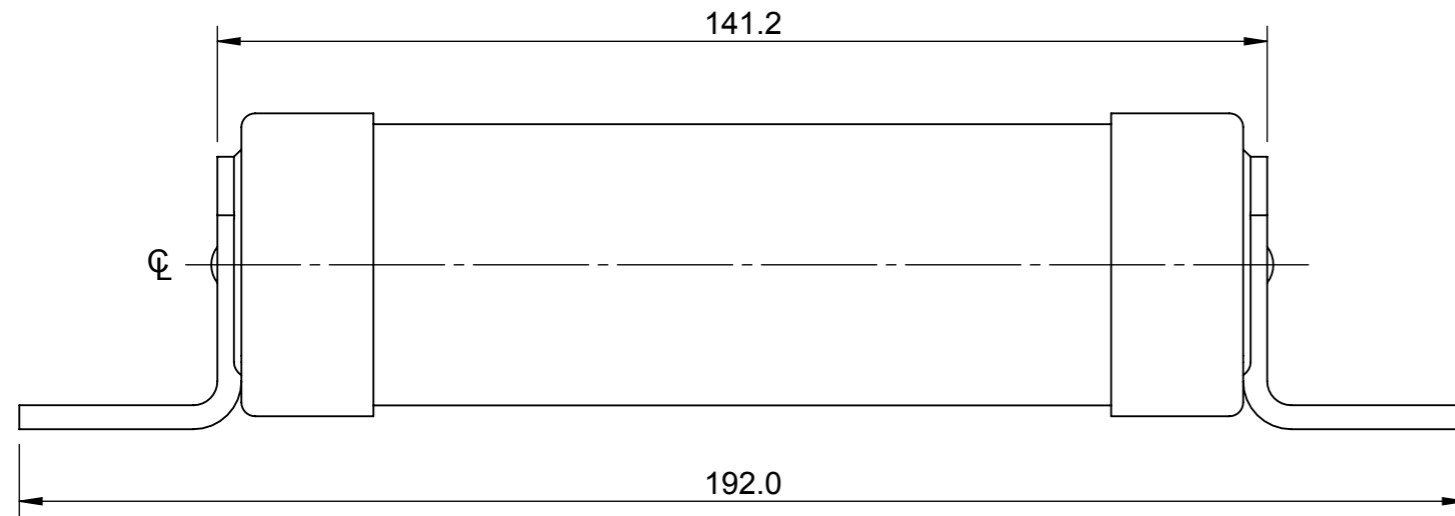
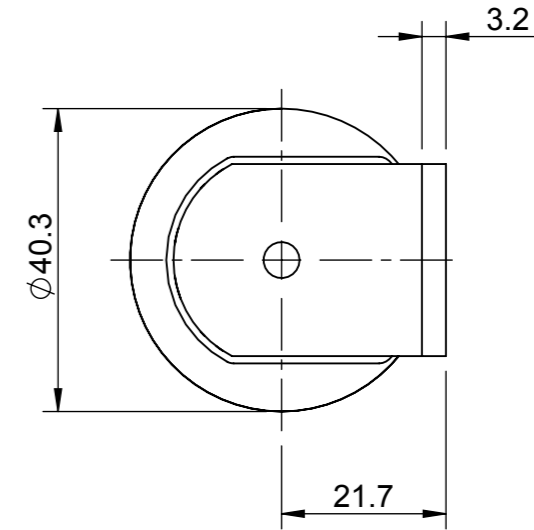
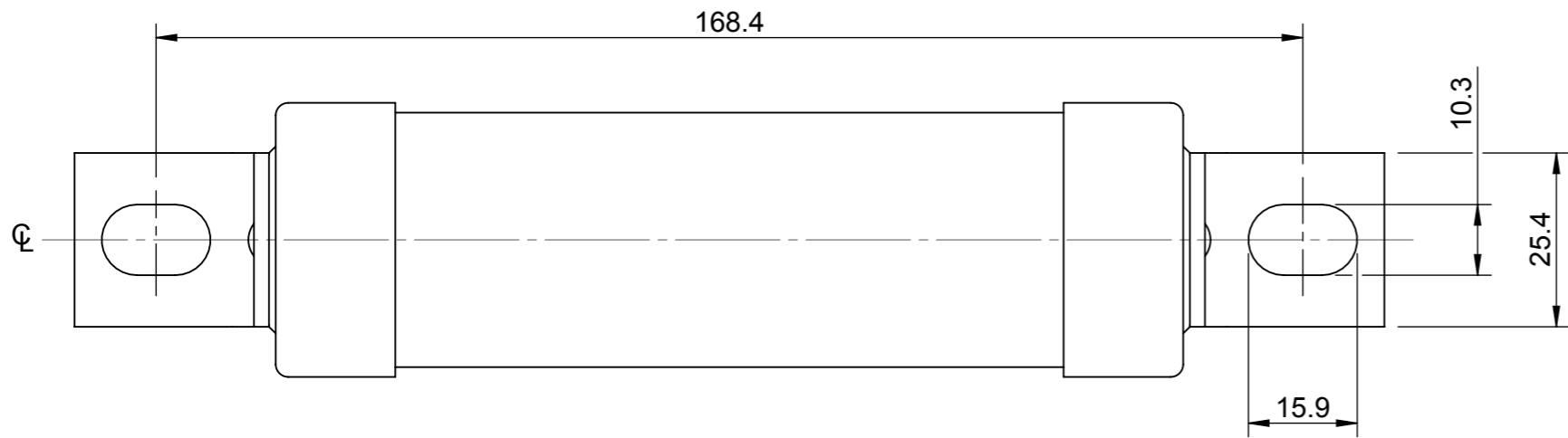


ITEM No. TFC--

REVISION				
REV	DESCRIPTION	BY	DATE	CHANGE NO.
A	CONVERSION OF GE LV FUSE DRAWINGS TO SOLIDWORKS	SR	01/06/2012	B17258



NOTE :

- FOR TAG ALIGNMENT TOLERANCE REF SPEC. 5782504.

Sl. No.	ITEM No.
1	TFC80
2	TFC100
3	TFC125
4	TFC160
5	TFC200

MODEL VERSION: 00	MATERIAL:	UNLESS OTHERWISE SPECIFIED, ALL DIMENSIONS ARE IN MILLIMETERS. TOLERANCES UNLESS OTHERWISE SPECIFIED: GENERAL ± 0.4mm ANGULAR ± 1°	COOPER Bussmann					
	FINISH:		TITLE: OUTLINE FOR TFC FUSELINKS (80 - 200AMP)					
	SURFACE AREA: VARIOUSmm ²		UNCONTROLLED COPY		THIS DRAWING IS CONFIDENTIAL AND THE COPYRIGHT OF COOPER BUSSMANN AND MUST NOT BE COPIED OR PASSED ON TO A THIRD PARTY WITHOUT WRITTEN CONSENT			
	VOLUME: 104219.40mm ³		DWG NO: 1000001981		ANGLE: THIRD	REV: A		
MODEL SOURCE FILE: 1000001981	MASS: 349.20g	DRAWN BY: SR		CHECKED BY: JM	DATE: 01/06/2012	SCALE: NTS	SIZE: A3	SHEET: 1 OF 1