
CATALOG

Switch fuses

World class performance in the most demanding applications



- Reliability and performance
- Safe maintenance and operation
- Proven and practical

**INTRODUCTION TO
SWITCH FUSES**
004–008

**TYPE DESIGNATION
KEY**
009–011

TECHNICAL DATA
012–022

**ORDERING
INFORMATION**
023–096

**DIMENSIONAL
DRAWINGS**
097–162

INDEX
163–182



Table of contents

01

02

03

04

05

06

Switch fuses

World class performance in the most demanding applications

OS and OSM switch fuses by ABB have been designed to deliver world-class performance in even the most extreme conditions. Our extensive range of reliable switch fuses, both manual and motorized, is ensured to have your application needs covered.



Reliable in extreme conditions

Reliability and performance

OS switch fuses are the optimal solution for motor protection. They can be installed next to transformers in heavy industry. The contact design combined with the fuse link enables rapid fault clearance and maintains protection level even after a fault occurs. Our motorized switch fuses protect motors from overcurrent and can be operated both remotely and manually.



Safety and protection

Safe maintenance and operation

OS switch fuses are designed for personal safety as well as for reliable process protection. When in the ON position, the interlocked fuse protection covers cannot be removed. When in the OFF position, the fuse link is fully isolated from both ends. Also, the handle is padlockable with three separate padlocks for ensured safety.



Speed up your projects

Proven and practical

Test proven type 2 coordination tables for the OS switch fuses are available online 24/7. From there you can easily select the appropriate ABB components for motor starting and protection. These motor starting solutions also help minimize the time needed for sizing all the starter components and ensure reliable operation after a fault occurs.

Switch fuses

World class performance in the most demanding applications

ABB switch fuses deliver superior performance and protection for even the most demanding industrial applications.



OS switch fuses are ideal for demanding applications where continuity of operations is vital even in case of a fault. These devices are used for protection in a wide range of applications. They are often found in power distribution boards and control cabinet in heavy industrial use. They are built to meet installation requirements close to the main transformer.

In addition to industrial, business and residential buildings, these switch fuses are regularly used industrial cranes and hoists to isolate and protect the motors. OS switch fuses may also be found protecting stored energy and battery packs from potential short circuits and safely isolate them during maintenance.

Switch fuses

World class performance in the most demanding applications

Designed for extreme conditions

Thanks to the knife contact design, the current flow keeps the contacts pushed firmly together before, during and after a fault without damaging the switch or affecting the performance of the contacts. The contacts are self-cleaning and maintenance free, providing a long, reliable electrical life. In OFF- position, the fuse link is fully isolated from both ends.



Pole structure in OFF- position

Modular design

All our switches have been designed for easy and cost-efficient installation, maintenance and use. The modular design enables 2-, 3- and 4-pole installation with different position of the switching mechanism to suit your needs and special requirements.



Modular design

Time saving accessories

The adjustable shaft (for external handles), mounting feet, along with snap-on auxiliary contacts and terminal shrouds create considerable savings in terms of installation time and costs. For example, the shaft can be adjusted to various installation depths, which eliminates the need for special cutting tools. This decreases handle installation times by up to 50%.



Adjustable shaft

Safety for personnel

The interlocking fuse covers prevent opening while the switch is in "ON" position. The switch fuses have contacts on both sides of the fuse. The fuses are totally isolated in the "OFF" position, reducing the risk of electric shock to authorized personnel.



Interlocking fuse covers

Manual operated switch fuses 20...1250 A

Designed to deliver

Manual operated switch fuses 20...1250 A product range:



Switch size [A]	20	25	30	32	40	32	50	60	63	100	125	160	100	200	250
DIN	-				OS40FD	OS32GD				OS125GD				OS200D	
	-					OS63GD				OS160GD				OS250D	
BS	OS20FB					OS32GB				OS100GB				OS200B	
	OS32FB					OS63GB				OS125GB				OS250B	
										OS160GB					
NFC	OS25FF					OS50GF				OS125GF					
	OS32FF														
UL98 File #E101914	OS30FACC					OS60GJ									
	OS30FAJ												OS100GJ		
AC23/400V [kW]		11		15	18.5	15	22		30		55	75		110	140
AC23/415V [kW]	7.5			15		15			30	55	55	75		110	145
480 V [HP]			15					30					60		
600 V [HP]			20					50					75		



Switch size [A]	200	315	400	600	630	800	1200	1250
DIN		OS400D		OS630D			OS1250D	
				OS800D				
BS		OS315B		OS630B			OS1250B	
		OS400B		OS800B				
UL98 File# E101914	OS200J	OS400J		OS600J			OS1200L	
				OS800L				
AC23/400V [kW]			230		355	450		560
AC23/415V [kW]		180	230		355	450		560
480 V [HP]	150		250		400	500	-	
600 V [HP]	200		250		500	600	-	

Please note that accessories are not automatically included in your order. See available accessories from pages 65-67 and ordering information from pages 69-96

Motorized switch fuses 32...1250 A

Ideal for remote use

Motorized switch fuses 32...1250 A product range:



Switch size [A]	32	50	63	100	125	160	200	250
DIN	OSM32GD			OSM125GD			OSM200D	
	OSM63GD			OSM160GD			OSM250D	
BS	OSM32GB			OSM100GB			OSM200B	
	OSM63GB			OSM125GB			OSM250B	
				OSM160GB				



Switch size [A]	315	400	630	800	800	1250
DIN	OSM400D		OSM630D		OSM1250D	
			OSM800D			
BS	OSM315B		OSM630B		OSM1250B	
	OSM400B		OSM800B			

Please note that accessories are not automatically included in your order. See available accessories from page 65-67 and ordering information from pages 82-84, 86-88 and 92-93.

Manual operated switch fuses 20...40 A (OS Mini)

Type designation key

Type codes

Understanding the type code keys below will help you quickly identify the correct product for your needs. The simple naming system allows you to see the products type, Ampere rating, standard classification and number of poles, all in one glance.

Explanation of the types OS20...40

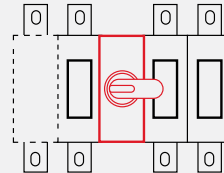
OS	25F	F	_	22	10	N1	-2
1	2	3	4	5	6	7	8

1	Brand
OS	ABB switch fuse/fusible switch
2	Switch size / Ampere rating
20...40F	Mini, 20...40 A
3	Fuse type
D	DIN
B	BS
F	NFC
AJ	J
ACC	CC
4	Switch operation
Blank	Front operation
S	Side operation
5	Number of poles and placing of the operating mechanism
12	3 poles, operating mechanism between the poles
22	4 poles, operating mechanism between the poles
30	3 poles, operating mechanism at the right end of the switch
6	Fuse size
A1, A2	BS88, A1, A2
000	DIN 000
10, 14	NFC 10x38, 14x51
7	Fourth pole/neutral terminal
N1	Non-fused switched neutral on the left side
F	Fused switched neutral
Blank	Terminal not included
8	Included handle
Blank	No handle included, OSFAJ_ and OS30FACC_
Blank	Pistol handle and shaft included with OS40FD_, OS20FB_, OS32FB_, OS25FF_ and OS32FF_
P	Pistol handle and shaft included with OSFAJ_ and OS30FACC_
-2	No handle included with OS40FD_, OS20FB_, OS32FB_, OS25FF_ and OS32FF_

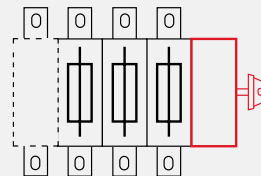
Pole configuration table

The various placing options of the operating mechanism in relation to the 3 or 4 poles is illustrated below. The operating mechanism may be placed at the end of the switch or between poles.

Between the poles OS_12 or 22:



Side operated types OS_30 or 40 / OS_03 or 04:



Manual operated switch fuses 32...1250 A

Type designation key

Type codes

Understanding the type code keys below will help you quickly identify the correct product for your needs. The simple naming system allows you to see the products type, Ampere rating, standard classification and number of poles, all in one glance.

Explanation of the types OS32...1250 A

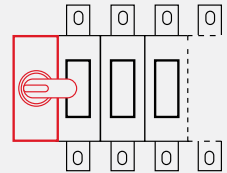
OS	125G	D	_	04	N2	_	P
1	2	3	4	5	6	7	8

1	Brand
OS	ABB switch fuse/fusible switch
2	Switch size / Ampere rating
32G...160G	Gamma, 32A...160A
200...1250	200A...1250 A
3	Fuse type
D	DIN
B	BS
F	NFC
J	J
L	L
4	Switch operation
Blank	Front operation
S	Side operation
5	Number of poles and placing of the operating mechanism
03	3 poles, operating mechanism at the left end of the switch
04	4 poles, operating mechanism at the left end of the switch
12	3 poles, operating mechanism between the poles
22	4 poles, operating mechanism between the poles
30	3 poles, operating mechanism at the right end of the switch
40	4 poles, operating mechanism at the right end of the switch
6	Fourth pole/neutral terminal
Blank	Neutral terminal not included
N1	Non-fused switched neutral on the left side
N2	Non-fused switched neutral on the right side
N3	Includes a detachable neutral link integrated into the mechanism
F	Fused switch neutral
7	Terminals for special connection (only IEC)
Blank	No special connection
BB	Back in, back out
LR	Left in, right out
8	Included handle
Blank	No handle included
P	Pistol handle and shaft
K	Direct mount handle

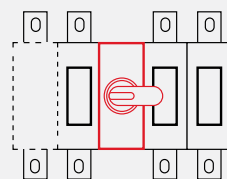
Pole configuration table

The various placing options of the operating mechanism in relation to the 3 or 4 poles is illustrated below. The operating mechanism may be placed at the end of the switch or between poles.

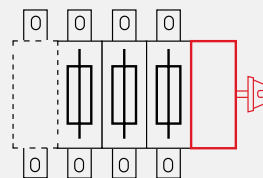
At the end of the switch fuse OS_03 or 04:



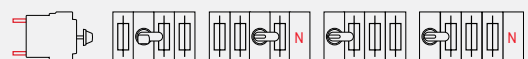
Between the poles OS_12 or 22:



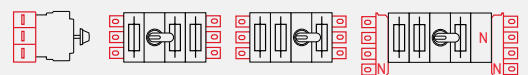
Side operated types OS_30 or 40 / OS_03 or 04:



BB-types:



LR-types:



Motorized switch fuses 32...1250 A

Type designation key

Type codes

Understanding the type code keys below will help you quickly identify the correct product for your needs. The simple naming system allows you to see the products type, Ampere rating, standard classification and number of poles, all in one glance.

Explanation of the types OS20...40

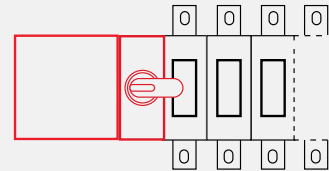
OSM	125G	B	4	N1	M230C
1	2	3	4	5	6

1	Brand
OSM	ABB motorized switch fuse
2	Switch size / Ampere rating
32G...200G	Gamma, 32A...200A
200...1250	200A...1250 A
3	Fuse type
D	DIN
B	BS
4	Number of poles
3	3 poles, motor operator at the left end of the switch
4	4 poles, motor operator at the left end of the switch
5	Fourth pole/neutral terminal
Blank	Neutral terminal not included
N1	Non-fused switched neutral on the left side
N2	Non-fused switched neutral on the right side
N3	Includes a detachable neutral link integrated into the mechanism
6	Motor operator voltage
230C	230 V AC

Pole configuration table

The various placing options of the operating mechanism in relation to the 3 or 4 poles is illustrated below.

At the end of the switch fuse OSM_03 or 04:



Manual operated switch fuses, IEC

Technical data for OS Mini 20...40 A

Technical data according to IEC 60947-3

Switch type			OS Mini 20	OS Mini 25	OS Mini 32	OS Mini 40
Rated insulation voltage	Pollution degree 3	50 Hz 1min.	1000 V	1000 V	1000 V	1000 V
Dielectric strength			10 kV	10 kV	10 kV	10 kV
Rated impulse withstand voltage			12 kV	12 kV	12 kV	12 kV
Rated thermal current in ambient 35 °C and temporarily 40 °C ¹⁾ / max. fuse power dissipation	In open air	Cu	20 A/ 3.5 W	25 A/3.5 W	32 A/3.5 W	40 A/4.5 W
	In enclosure ²⁾		20 A/ 3.5 W	25 A/3.5 W	32 A/3.5 W	40 A/4.5 W
	In enclosure with solid links		32 A	32 A	32 A	40 A
...with minimum cable cross section			2.5 mm ²	4 mm ²	6 mm ²	10 mm ²
Power loss / pole	With rated current, without fuse		1.3 W	1.3 W	2 W	3.5 W
Derating, mounting on wall horizontal fuses	In open air or ventilated enclosure		0 %		0 %	0 %
	Totally enclosed		5 %	5 %	5 %	5 %
Derating, mounting on ceiling			10 %	10 %	10 %	10 %
Derating at 60 °C	In open air / in enclosure		20/ 20 %	20/20 %	20/20 %	20/20 %
Rated operational voltage AC-20 and DC-20			1000 V	1000 V	1000 V	1000 V
Rated operational current, AC-21A	up to 500 V		20 A	25 A	32 A	40 A
	690 V		20 A	25 A	32 A	40 A
Rated operational current, AC-22A	up to 500 V		20 A	25 A	32 A	40 A
	690 V		20 A	25 A	32 A	40 A
Rated operational current, AC-23A	up to 500 V		20 A	25 A	32 A	40 A
	690 V		20 A	25 A	32 A	40 A
Rated operational current / poles in series DC-21A	48 V		20 A/2	25 A/2	32 A/2	32 A/2
	110-220 V		20 A/2	25 A/2	32 A/2	32 A/2
	440 V		20 A/4	25 A/4	25 A/4	32 A/4
Rated operational current / poles in series DC-22A	48 V		20 A/2	25 A/2	32 A/2	32 A/2
	110-220 V		20 A/2	25 A/2	32 A/2	32 A/2
	440 V		20 A/4	25 A/4	32 A/4	32 A/4
Rated operational current / poles in series DC-23A	48 V		20 A/2	25 A/2	32 A/2	32 A/2
	110-220 V		20 A/2	25 A/2	32 A/2	32 A/2
	440 V		20 A/4	25 A/4	32 A/4	32 A/4
Rated operational power, AC-23 ²⁾	230 V		5.5 kW	5.5 kW	7.5 kW	11 kW
	400 V		7.5 kW	11 kW	15 kW	18.5 kW
	415 V		7.5 kW	11 kW	15 kW	18.5 kW
	500 V		11 kW	15 kW	18.5 kW	22 kW
	690 V		15 kW	22 kW	22 kW	30 kW
Rated breaking capacity in category AC-23	≤ 690 V		256 A	256 A	256 A	320 A
Rated breaking capacity / poles in series in category DC-23	up to 220 V		128/2	128/2	128/2	128/2
	440 V		128/4	128/4	128/4	128/4
Rated conditional short-circuit current I _p (r.m.s.) and corresponding max. allowed cut-off current I _c	at prospective SC-current		80 kA, 415 V	9 kA	9 kA	9 kA
	at prospective SC-current		100 kA, 500 V	8 kA	8 kA	8 kA
The cut-off current I _c refers to values listed by fuse manufacturers (single phase test acc. to IEC60269).	at prospective SC-current		50 kA, 690 V	7 kA	7 kA	7 kA
	at prospective SC-current		80 kA, 690 V	7.5 kA	7.5 kA	7.5 kA
Rated short-time withstand current, 1 s.	r.m.s. -value		1 kA	1 kA	1 kA	1 kA
Rated capacitor power when no initial charge on the capacitor	The capacitor rating of the switch-fuse is limited by the fuse link.		400 V	10 kVAr	12.5 kVAr	15 kVAr
			415 V	10 kVAr	12 kVAr	15 kVAr
			690 V	15 kVAr	20 kVAr	25 kVAr
Mechanical endurance	Divide by two for operation cycles		20 000 Oper.	20 000 Oper.	20 000 Oper.	20 000 Oper.
Fuse types, IEC 60269-2	DIN 43620					000
	NFC 63210, 63211			10x38	14x51	
	BS 88-2, -6			A1	A1, A2	
	distance of fuse-link bolts			M4/44.5 mm	M4/45.5 mm(A1)	
	distance of fuse-link bolts				M4/73 mm (A2)	
Cable size	Cu		0.75...10 mm ²	0.75...10 mm ²	0.75...10 mm ²	0.75...10 mm ²
Terminal tightening torque	Counter torque required		2 Nm	2 Nm	2 Nm	2 Nm
Fuse-links bolts tightening torque			2 Nm		2 Nm	
Operating torque	Typical for 3-pole switch fuses		3 Nm	3 Nm	3 Nm	3 Nm

¹⁾ Acc. to IEC 60957-2, IEC 60947-1, § 6.1.1. Minimum ambient temperature -5 °C. Category B: -5 °C...-35 °C.

²⁾ Some fuse links limit these figures further. Starting current characteristics must be considered separately.

Manual operated switch fuses, IEC

Technical data for OS32...160G

Technical data according to IEC 60947-3

Switch type			OS_32G	OS_50G	OS_63G	OS_100G	OS_125G	OS_160G
Rated insulation voltage			1000 V	1000 V	1000 V	1000 V	1000 V	1000 V
Dielectric strength	Pollution degree 3	50 Hz 1min.	10 kV	10 kV	10 kV	10 kV	10 kV	10 kV
Rated impulse withstand voltage			12 kV	12 kV	12 kV	8 kV	8 kV	8 kV
Rated thermal current in ambient 35 °C and temporarily 40 °C ¹⁾ / max. fuse power dissipation	In open air		32 A/7.5 W	50 A/7.5 W	63 A/7.5 W	100 A/12 W	125 A/12 W	160 A/12 W
	In enclosure		32 A/7.5 W	50 A/7.5 W	63 A/7.5 W	100 A/12 W	125 A/12 W	160 A/12 W
...with minimum cable cross section		Cu	6 mm ²	10 mm ²	16 mm ²	50 mm ²	50 mm ²	70 mm ²
Power loss / pole	With rated current, without fuse		1 W	2.5 W	4 W	4 W	5 W	9 W
Derating, mounting on wall horizontal fuses	In open air or ventilated enclosure		0 %	0 %	0 %	0 %	0 %	0 %
	Totally enclosed		5 %	5 %	5 %	5 %	5 %	5 %
Derating, mounting on ceiling			10 %	10 %	10 %	10 %	10 %	10 %
Derating at 60 °C	In open air / in enclosure		20/20 %	20/20 %	20/20 %	20/20 %	20/20 %	20/20 %
Rated operational voltage AC-20 and DC-20			1000 V	1000 V	1000 V	1000 V	1000 V	1000 V
Rated operational current, AC-21A		up to 500 V	32 A	50 A	63 A	100 A	125 A	160 A
		690 V	32 A	50 A	63 A	100 A	125 A	160 A
Rated operational current, AC-22A		up to 500 V	32 A	50 A	63 A	100 A	125 A	160 A
		690 V	32 A	50 A	63 A	100 A	125 A	160 A
Rated operational current, AC-23A		up to 500 V	32 A	50 A	63 A	100 A	125 A	160 A
		690 V	32 A	50 A	63 A	100 A	125 A	160 A
Rated operational current / poles in series DC-21A		48 V	32 A/2	50 A/2	63 A/2	100 A/2	125 A/2	160 A/2
		110-220 V	32 A/2*	50 A/2*	63 A/2*	100 A/2*	125 A/2*	125 A/2*
		440 V	32 A/4*	50 A/4*	50 A/4*	100 A/4*	125 A/4*	125 A/4*
Rated operational current / poles in series DC-22A		48 V	32 A/2	50 A/2	63 A/2	100 A/2	125 A/2	160 A/2
		110-220 V	32 A/2*	50 A/2*	63 A/2*	100 A/2*	125 A/2*	125 A/2*
Rated operational current / poles in series DC-23A		48 V	32 A/2	50 A/2	63 A/2	100 A/2	125 A/2	160 A/2
		110-220 V	32 A/2*	50 A/2*	63 A/2*	100 A/2*	125 A/2*	125 A/2*
Rated operational power, AC-23 ²⁾		230 V	7.5 kW	11 kW	18.5 kW	30 kW	37 kW	45 kW
		400 V	15 kW	22 kW	30 kW	55 kW	55 kW	75 kW
		415 V	15 kW	22 kW	30 kW	55 kW	55 kW	75 kW
		500 V	18.5 kW	30 kW	37 kW	55 kW	75 kW	90 kW
		690 V	22 kW	37 kW	55 kW	90 kW	110 kW	132 kW
	The kW-ratings are accurate for three-phase 1500 R.P.M. standard asynchronous motors.							
Rated breaking capacity in category AC-23		≤ 690 V	504 A	504 A	504 A	1280 A	1280 A	1280 A
Rated breaking capacity / poles in series in category DC-23		up to 220 V	252 A/2	252 A/2	252 A/2	640 A/2	640 A/2	640 A/2
Rated conditional short-circuit current I _p (r.m.s.) and corresponding max. allowed cut-off current I _c	at prospective SC-current Max OFA_fuse size gG/aM	80 kA, 415 V	13.5 kA 80/63 A	13.5 kA 80/63 A	13.5 kA 80/63 A	23.5 kA 160/160 A	23.5 kA 160/160 A	23.5 kA 160/160 A
	at prospective SC-current Max OFA_fuse size gG/aM	100 kA, 500 V	12.5 kA 63/50 A	12.5 kA 63/50 A	12.5 kA 63/50 A	25.5 kA 160/160 A	25.5 kA 160/160 A	25.5 kA 160/160 A
The cut-off current I _c refers to values listed by fuse manufacturers (single phase test acc. to IEC60269).	at prospective SC-current Max OFA_fuse size gG/aM	50 kA, 690 V	9.5 kA 63/50 A	9.5 kA 63/50 A	9.5 kA 63/50 A	17.5 kA 125/160 A	17.5 kA 125/160 A	17.5 kA 125/160 A
	at prospective SC-current Max OFA_fuse size gG/aM	80 kA, 690 V	11.5 kA 50/50 A	11.5 kA 50/50 A	11.5 kA 50/50 A	20.5 kA 125/160 A	20.5 kA 125/160 A	20.5 kA 125/160 A
Rated short-time withstand current, 1 s.	r.m.s. -value		2.5 kA	2.5 kA	2.5 kA	5 kA	5 kA	5 kA
Rated capacitor power when no initial charge on the capacitor	The capacitor rating of the switch-fuse is limited by the fuse link.	400 V 415 V 690 V	15 kVAr 15 kVAr 25 kVAr	20 kVAr 25 kVAr 42 kVAr	25 kVAr 32 kVAr 50 kVAr	40 kVAr 42 kVAr 75 kVAr	50 kVAr 55 kVAr 90 kVAr	60 kVAr 65 kVAr 100 kVAr
Mechanical endurance	Divide by two for operation cycles		20 000 Oper.	20 000 Oper.	20 000 Oper.	20 000 Oper.	16 000 Oper.	16 000 Oper.
Fuse types, IEC 60269-2	DIN 43620		000 ⁶⁾		000 ⁶⁾		000,00 ⁶⁾	000,00 ⁶⁾
	NFC 63210, 63211			14x51				22x58
	BS 88-2, -6		A2-A3 ⁵⁾		A2-A3 ³⁾	A2-A4 ⁴⁾	A2-A4 ⁴⁾	A2-A4 ⁴⁾
	distance of fuse-link bolts		M5/73 mm		M5/73 mm	M5/73 mm	M5/73 mm	M5/73 mm
	distance of fuse-link bolts					M8/94 mm	M8/94 mm	M8/94 mm
Cable size		Cu	2.5...25 mm ²	2.5...25 mm ²	2.5...25 mm ²			
Terminal tightening torque			3/4 Nm ⁵⁾	3/4 Nm ⁵⁾	3/4 Nm ⁵⁾	15-22 Nm	15-22 Nm	15-22 Nm
Fuse-links bolts tightening torque	Counter torque required		3.5 Nm		3.5 Nm	M5:3.5 Nm M8:5 Nm	M5:3.5 Nm M8:5 Nm	M5:3.5 Nm M8:5 Nm
Operating torque	Typical for 3-pole switch fuses		5 Nm	5 Nm	5 Nm	7 Nm	7 Nm	7 Nm

* = Utilization category B.

¹⁾ Acc. to IEC 60947-1, § 6.1.1. Minimum ambient temperature -5°C. Category B: -5°C...-35°C.

²⁾ Some fuse links limit these figures further. Starting current characteristics must be considered separately.

³⁾ Max. fuse body diam. 22 mm.

⁴⁾ Max. fuse body diam. 32 mm.

⁵⁾ 3 Nm with cable sizes 2.5...6 mm², 4 Nm with cable sizes 10...25 mm².

⁶⁾ Max. allowed fuse-link knife height is 15 mm.

Manual operated switch fuses, IEC

Technical data for OS200...400

Technical data according to IEC 60947-3

Switch type		OS_200GB	OS_200_	OS_250_	OS_315_	OS_400_	
Rated insulation voltage and rated operational voltage AC-20 and DC-20	Pollution degree 3	50 Hz 1min.	1000 V	1000 V	1000 V	1000 V	1000 V
			10 kV	10 kV	10 kV	10 kV	10 kV
Dielectric strength			8 kV	12 kV	12 kV	12 kV	12 kV
Rated impulse withstand voltage							
Rated thermal current in ambient 35 °C and temporarily 40 °C ¹⁾ / max. fuse power dissipation	In open air		200 A/14 W	200 A/17 W	250 A/23 W	315 A/32 W	400 A/45 W
	In enclosure		200 A/14 W	200 A/15 W	250 A/20 W	315 A/32 W	400 A/30 W
...with minimum cable cross section		Cu	70 mm ²	95 mm ²	120 mm ²	185 mm ²	240 mm ²
Derating, mounting on wall horizontal fuses	In open air or ventilated enclosure		0 %	0 %	0 %	0 %	4 %
	Totally enclosed		5 %	5 %	5 %	5 %	8 %
Derating, mounting on ceiling			10 %	10 %	10 %	10 %	10 %
Derating at 60 °C	In open air / in enclosure		20/20 %	20/20 %	20/20 %	20/20 %	20/20 %
Power loss / pole	With rated current, without fuse		9 W	8 W	13 W	19 W	30 W
Rated operational current AC-22B		≤ 415 V	200 A				
Rated operational current AC-21A		≤ 500 V	160 A	200 A	250 A	315 A	400 A
		690 V	160 A	200 A	250 A	315 A	400 A
Rated operational current AC-22A		≤ 415 V	160 A	200 A	250 A	315 A	400 A
		500 V	160 A	200 A	250 A	315 A	400 A
		690 V	160 A	200 A	250 A	315 A	400 A
Rated operational current AC-23A		≤ 415 V	160 A	200 A	250 A	315 A	400 A
		500 V	160 A	200 A	250 A	315 A	400 A
		690 V	160 A	200 A	250 A	315 A	400 A
Rated operational current / poles in series DC-21A, DC-22A and DC-23A		≤ 220 V	125 A/2 ²⁾	200 A/1	250 A/1	315 A/2	400 A/2
		440 V	125 A/4 ²⁾	200 A/2	250 A/2	315 A/3*	400 A/3*
		660 V		200 A/3	250 A/3	315 A/4*	400 A/4*
		750 V		180 A/4	230 A/4	315 A/4*	400 A/4*
		880 V		180 A/4	230 A/4		
Rated operational power AC-23 ³⁾		230 V	45 kW	60 kW	75 kW	100 kW	132 kW
		400 V	75 kW	110 kW	140 kW	160 kW	220 kW
		415 V	75 kW	110 kW	145 kW	180 kW	230 kW
		500 V	90 kW	132 kW	170 kW	220 kW	280 kW
		690 V	132 kW	200 kW	250 kW	315 kW	400 kW
Rated breaking capacity AC-23		≤ 690 V	1280 A	1600 A	2000 A	3200 A	3200 A
Rated conditional short-circuit current I _p (r.m.s.) and corresponding max. allowed cut-off current I _c	at prospective SC-current Max. OFA_fuse size gG/aM	80 kA, 415 V	23.5 kA 160/160 A	35 kA 250/200 A	40.5 kA 355/315 A		59 kA 500/500 A
	at prospective SC-current Max. OFA_fuse size gG/aM	100 kA, 500 V	25.5 kA 160/160 A	37.5 kA 250/200 A	37.5 kA 250/250 A		63.5 kA 500/500 A
The cut-off current I _c refers to values listed by fuse manufacturers (single phase test acc. to IEC60269).	at prospective SC-current Max. OFA_fuse size gG/aM	80 kA, 690 V	20.5 kA 125/160 A	25 kA 160/-A	32.5 kA 200/250 A		46 kA 315/400 A
	at prospective SC-current Max. BS fuse size gG/gM	50 kA, 415 V	17.5 kA 125/160 A	28 kA 200/200M315	28 kA 250/200M315	44 kA 400/400M500	44 kA 400/400M500
Rated short-time withstand current, 1s.	at prospective SC-current Max. BS fuse size gG/gM	80 kA, 690 V	20.5 kA 125/160 A	28 kA 200/200M250 A	28 kA 250/200M250 A	48 kA 400/400M450 A	48 kA 400/400M450 A
	r.m.s. -value Max. distance from switch frame to nearest busbar/cable support		5 kA 150 mm	8 kA 150 mm	8 kA 150 mm	14 kA 150 mm	14 kA 150 mm
Rated capacitor power when no initial charge of the capacitor	The capacitor ratings of the switch-fuses are limited by the fuse links	400 V	60 kVAr	90 kVAr	105 kVAr	145 kVAr	180 kVAr
		415 V	65 kVAr	100 kVAr	115 kVAr	160 kVAr	200 kVAr
		500 V		120 kVAr	135 kVAr	175 kVAr	215 kVAr
		690 V	100 kVAr	160 kVAr	190 kVAr	250 kVAr	325 kVAr
Mechanical endurance	Divide by two for operation cycles		16 000 Oper.	20 000 Oper.	20 000 Oper.	16 000 Oper.	16 000 Oper.
Fuse types, IEC 60269-2	DIN 43620			0 ⁶⁾	0-1 ⁶⁾		0-2 ⁷⁾
	NFC 0-3 Ref.A, 4a Ref.B			1	1		2
	BS 88-2, -6		A2-A4	B1-B2	B1-B3 ⁴⁾	B1-B4 ⁵⁾	B1-B4 ⁵⁾
	Size / distance of fuse-link bolts		M5/73, mm M8/94 mm	M6/111 mm	M8/111 mm	M8/111 mm	M8/111 mm
Terminal tightening torque			15-22 Nm	15-22 Nm	30-44 Nm	30-44 Nm	30-44 Nm
Fuse-links bolts tightening torque	Counter torque required		M5:3.5 Nm M8:5 Nm	4 Nm	5 Nm	20 Nm	20 Nm
Operating torque	Typical for 3-pole switch fuses		7 Nm	7 Nm	7 Nm	19 Nm	19 Nm

* = Utilization category B.

¹⁾ Acc. to IEC 60957-2, IEC 60947-1, § 6.1.1. Minimum ambient temperature -5°C. Category B: -5°C...-35°C.

²⁾ Utilization category DC21-B.

³⁾ These values are given for guidance and may vary acc. to the motor manufacturer.

⁴⁾ Max. fuse body diam 52 mm.

⁵⁾ Max. fuse body diam 62 mm.

⁶⁾ Max. allowed fuse-link knife height is 21 mm.

⁷⁾ Max. allowed fuse-link knife height is 27 mm.

Manual operated switch fuses, IEC

Technical data for OS630...1250

Technical data according to IEC 60947-3

Switch type			OS_630_	OS_800_	OS_1250_
Rated insulation voltage and rated operational voltage AC-20 and DC-20	Pollution degree 3	50 Hz 1min.	1000 V	1000 V	1000 V
			10 kV	10 kV	10 kV
			12 kV	12 kV	12 kV
Rated impulse withstand voltage			12 kV	12 kV	12 kV
Rated thermal current in ambient 35 °C and temporarily in 40 °C ¹⁾ / max. fuse power dissipation	In open air		630 A/60 W	800 A/65 W	1250 A/110 W
	In enclosure		570 A/50 W	720 A/55 W	1000 A/85 W
...with minimum cable cross section		Cu	2 x 185 mm ²	2 x 240 mm ²	2 x 400 mm ²
Derating, mounting on wall horizontal fuses	In open air or ventilated enclosure		0 %	4 %	4 %
Derating, mounting on 'ceiling'	Totally enclosed		5 %	8 %	8 %
Derating at 60 °C			10 %	10 %	10 %
Power loss / pole	In open air / in enclosure		20/20 %	20/20 %	20/20 %
Rated operational current AC-21A	With rated current, without fuse		46 W	75 W	75 W
Rated operational current AC-22A	≤ 500 V		630 A	800 A	1250 A ²⁾
		690 V	630 A	800 A	1250 A ²⁾
Rated operational current AC-23A	≤ 415 V		630 A	800 A	1250 A
		500 V	630 A	800 A	1250 A ²⁾
Rated operational current AC-23A	690 V		630 A	800 A	1250 A ²⁾
		690 V	630 A	800 A	1250 A ²⁾
Rated operational current / poles in series DC-21A, DC-22A and DC-23A	≤ 220 V		630 A/1'	800 A/1'	
		440 V	630 A/2'	800 A/2'	
		660 V	630 A/3'	720 A/3'	
		750 V	630 A/4'	720 A/4'	
		880 V	630 A/4'	720 A/4'	
Rated operational power AC-23 ³⁾	230 V		200 kW	250 kW	315 kW
		400 V	355 kW	450 kW	560 kW
		415 V	355 kW	450 kW	560 kW
		500 V	450 kW	560 kW	710 kW
		690 V	630 kW	710 kW	1000 kW
Rated breaking capacity AC-23	≤ 690 V		6400 A	6400 A	8000 A
Rated conditional short circuit current I ^{sc} (r.m.s.) and corresponding max. allowed cut-off current i _c	at prospective SC-current Max. OFA_ fuse size gG/aM	80 kA,	77 kA	77 kA	89 kA
		415 V	800/800 A	800/800 A	1250/1250 A
The cut-off current i _c refers to values listed by fuse manufacturers (single phase test acc. to IEC60269)	at prospective SC-current Max. OFA_ fuse size gG/aM	100 kA,	83 kA	83 kA	105 kA
		500 V	800/800 A	800/800 A	1250/-A
Rated short-time withstand current, 1s.	at prospective SC-current Max. BS fuse size gG/gM	80 kA,	55 kA	55 kA	88 kA
		690 V	500/630 A	500/630 A	1000/1000 A
Rated capacitor power when no initial charge of the capacitor	r.m.s. -value Max. distance from switch frame to nearest busbar/cable support		18 kA	18 kA	40 kA
			150 mm	150 mm	150 mm
Mechanical endurance	Divide by two for operation cycles	400 V	250 kVAr	310 kVAr	440 kVAr
		415 V	270 kVAr	340 kVAr	460 kVAr
		500 V	300 kVAr	375 kVAr	550 kVAr
		690 V	450 kVAr	550 kVAr	750 kVAr
Fuse types, IEC 60269-2	DIN 43620		10 000 Oper.	6000 Oper.	6000 Oper.
			3 ⁴⁾	3 ⁴⁾	4, 4 a
		NFC 0-3 Ref.A, 4a Ref.B		3	4 a
		BS 88-2, 6		C1-C2	C1-C3
Terminal tightening torque	Size / distance of fuse-link bolts		M10/133, 184 mm	M10/133, 184 mm	2xM12/149 mm
Fuse-links bolts tightening torque	Counter torque required		50-75 Nm	50-75 Nm	50-75 Nm
Operating torque			M10:30 Nm M12:40 Nm	M10:30 Nm M12:40 Nm	M12:40 Nm
	Typical for 3-pole switch fuses		38 Nm	38 Nm	65 Nm

¹⁾ = Utilization category B.

²⁾ Acc. to IEC 60957-2, IEC 60947-1, § 6.1.1. Minimum ambient temperature -5°C. Category B: -5°C...-35°C.

³⁾ Category B.

⁴⁾ These values are given for guidance and may vary acc. to the motor manufacturer.

⁵⁾ Max. allowed fuse-link knife height is 35 mm.

Special connected switch fuses, IEC

Technical data for OS125...200

Technical data according to IEC 60947-3

Switch type			OS_125G	OS_160G	OS_200
Rated insulation voltage and rated operational voltage AC-20 and DC-20	Pollution degree 3	50 Hz 1min.	1000 V	1000 V	1000 V
Dielectric strength			10 kV	10 kV	10 kV
Rated impulse withstand voltage			8 kV	8 kV	12 kV
Rated thermal current in ambient 35 °C and temporarily 40 °C ³⁾ / max. fuse power dissipation ...with minimum cable cross section			125 A/12 W	160 A/12 W	200 A/17 W
Derating, mounting on wall horizontal fuses	In open air or ventilated enclosure		0 %	0 %	0 %
	Totally enclosed		5 %	5 %	5 %
Derating, mounting on ceiling			10 %	10 %	10 %
Derating at 60 °C	In open air / in enclosure		20/20 %	20/20 %	20/20 %
Power loss / pole	With rated current, without fuse	BB	5 W	9 W	8 W
		LR			11 W
Rated operational current AC-21A, AC-22A and AC-23A	Up to 690V		125 A	160 A	200 A
Rated operational current /poles in series DC-21A, DC-22A and DC-23A	48V		125 A/2	160 A/2	200 A/1
	110-220V		125 A/2	125 A/2*	200 A/1
	440V		125 A/4*(DC-21A)	125 A/4*(DC-21A)	200 A/2
	660V				200 A/3
	750V				180 A/4
	880V				180 A/4
Rated operational power AC-23 ²⁾	The kW-ratings are accurate for three-phase 1500 R.P.M standard asynchronous motors.	230 V	37 kW	45 kW	60 kW
		400 V/415 V	55/55 kW	75/75 kW	100/110 kW
		500 V/690 V	75/110 kW	90/132 kW	140/180 kW
Rated breaking capacity in category AC-23	up to 690 V		1280 A	1280 A	1600 A
Rated breaking capacity/poles in series in category DC-23	up to 220V		640 A/2	640 A/2	
Rated conditional short-circuit current I _p (r.m.s.) and corresponding max. allowed cut-off current I _c . The cut-off current I _c refers to values listed by fuse manufacturers ⁵⁾ (single phase test acc. to IEC60269)	at prospective SC-current	80 kA, 415 V	23.5 kA	23.5 kA	
	Max OFA_ fuse size gG/aM		160/160 A	160/160 A	
	at prospective SC-current	100 kA, 500 V	25.5 kA	25.5 kA	30 kA
	Max OFA_ fuse size gG/aM		160/160 A	160/160 A	200/200 A ⁶⁾
at prospective SC-current	50 kA, 690 V	17.5 kA	17.5 kA	20 kA	
Max OFA_ fuse size gG/aM		125/160 A	125/160 A	160/- A	
at prospective SC-current	80 kA, 690 V	20.5 kA	20.5 kA	25 kA	
Max OFA_ fuse size gG/aM		125/160 A	125/160 A	160/- A ⁶⁾	
Rated short-time withstand current, 1s.	r.m.s. -value		5 kA	5 kA	8 kA
	Max. distance from switch frame to nearest busbar/cable support				150 mm
Rated capacitor power when no initial charge of the capacitor	The capacitor ratings of the switch-fuses are limited by the fuse links	400 V/415 V	50/55 kVAr	60/65 kVAr	
		690 V	90 kVAr	100 kVAr	
Mechanical endurance	Divide by two for operation cycles		20 000 Oper.	20 000 Oper.	20 000 Oper.
Fuse types, IEC 60269-2	DIN 43620		000, 00 ⁷⁾	000, 00 ⁷⁾	0 ⁸⁾
	NFC 63210, 63211		22x58		1
Terminal tightening torque	BS 88-2, -6 distance of fuse-link bolts	A2A4 ⁴⁾	M5/73 mm	A2-A4 ⁴⁾	B1-B4
		M8/94 mm	M5/73 mm	M8/94 mm	M6/111 mm
Fuse-links bolts tightening torque	Counter torque required		15-22 Nm	15-22 Nm	M8:15-22 Nm ³⁾ , M10:30-44 Nm
			M5:3.5 Nm M8:5 Nm	M5:3 Nm M8:5 Nm	4 Nm 5 Nm
Operating torque	Typical for 3 and 4-pole switches		7 Nm	7 Nm	7 Nm

* = Utilization category B.

¹⁾ Acc. to IEC 60947-1, § 6.1.1. Minimum ambient temperature -5°C. Category B: -5°C...-35°C.

²⁾ Some fuse links limit these figures further. Starting current characteristics must be considered separately.

³⁾ Side terminals tightening torque max 15 Nm.

⁴⁾ Max fuse body diam. 32 mm.

⁵⁾ BS fuse manufacturers covered by this table ABB, MEM, Bussmann, GEC.

⁶⁾ 3-pole types only.

⁷⁾ Max. allowed fuse-link knife height is 15 mm.

⁸⁾ Max. allowed fuse-link knife height is 21 mm.

Special connected switch fuses, IEC

Technical data for OS250...400

Technical data according to IEC 60947-3

Switch type			OS_250	OS_315	OS_400
Rated insulation voltage and rated operational voltage AC-20 and DC-20	Pollution degree 3	50 Hz 1min.	1000 V	1000 V	1000 V
Dielectric strength			10 kV	10 kV	10 kV
Rated impulse withstand voltage			12 kV	12 kV	12 kV
Rated thermal current in ambient 35 °C and temporarily 40 °C ¹⁾ / max. fuse power dissipation ...with minimum cable cross section			250 A/23 W	315 A/32 W	400 A/45 W
			120 mm ²	185 mm ²	240 mm ²
Derating, mounting on wall horizontal fuses	In open air or ventilated enclosure		0 %	0 %	0 %
	Totally enclosed		5 %	5 %	5 %
Derating, mounting on ceiling			10 %	10 %	10 %
Derating at 60 °C	In open air / in enclosure		20/20 %	20/20 %	20/20 %
Power loss / pole	With rated current, without fuse	BB	13 W	19 W	30 W
		LR	17 W	25 W	40 W
Rated operational current AC-21A, AC-22A and AC-23A		Up to 690V	215 A	315 A	400 A
Rated operational current /poles in series DC-21A, DC-22A and DC-23A		48V	250 A/1	315 A/2	400 A/2
		110-220V	250 A/1	315 A/2	400 A/2
		440V	250 A/2	315 A/3*	400 A/3
		660V	250 A/3	315 A/4*	400 A/4*
		750V	230 A/4	315 A/4*	400 A/4*
		880V	230 A/4		
Rated operational power AC-23 ²⁾	The kW-ratings are accurate for three-phase 1500 R.P.M standard asynchronous motors.	230 V	75 kW	100 kW	110 kW
		400 V/415 V	132/140 kW	170/180 kW	220/230 kW
		500 V/690 V	170/240 kW	220/295 kW	280/335 kW
Rated breaking capacity in category AC-23		up to 690 V	2000 A	3200 A	3200 A
Rated conditional short-circuit current I _p (r.m.s.) and corresponding max. allowed cut-off current İ _c . The cut-off current İ _c refers to values listed by fuse manufacturers ³⁾ (single phase test acc. to IEC60269)	at prospective SC-current Max OFA_fuse size gG/aM	65 kA, 500V	32,5 kA 250/- A		40,5 kA 400/- A
	at prospective SC-current Max OFA_fuse size gG/aM	100 kA, 500 V	37,5 kA 250/250 A ⁷⁾		63,5 kA 500/500 A ⁷⁾⁸⁾
	at prospective SC-current Max OFA_fuse size gG/aM	50 kA, 690 V	29,5 kA 250/- A		32 kA 355/- A
	at prospective SC-current Max OFA_fuse size gG/aM	80 kA, 690 V	32,5 kA 200/250 A ⁷⁾		38 kA 355/400 A ⁷⁾
	at prospective SC-current Max BS fuse size gG/gM	50 kA, 415 V	26 kA 250/- A	28 kA 315/- A	34 kA 400/- A
	at prospective SC-current Max BS fuse size gG/gM	80 kA, 415 V	30 kA 250/200M250 A ⁷⁾	50 kA 400/400M500 A ⁷⁾	50 kA 400/400M500 A ⁷⁾
	at prospective SC-current Max BS fuse size gG/gM	50 kA, 690 V	28 kA 250/- A	30 kA 315/- A	38 kA 400/- A
	at prospective SC-current Max BS fuse size gG/gM	80 kA, 690 V	28 kA 250/200M250 A ⁷⁾	48 kA 400/400M450 A ⁷⁾	48 kA 400/400M450 A ⁷⁾
	Rated short-time withstand current, 1s.	r.m.s. -value		8 kA	14 kA
Max. distance from switch frame to nearest busbar/cable support			150 mm	150 mm	150 mm
Rated capacitor power when no initial charge of the capacitor	The capacitor ratings of the switch-fuses are limited by the fuse links	400 V/415 V 690 V			
Mechanical endurance	Divide by two for operation cycles		20 000 Oper.	16 000 Oper.	16 000 Oper.
Fuse types, IEC 60269-2	DIN 43620		0-1 ⁹⁾		0-2 ¹⁰⁾
	NFC 0-3 Ref.A, 4a Ref.B		1		2
	BS 88-2, -6 Size / distance of fuse-link bolts		B1-B3 ³⁾ M8/111 mm	B1-B4 ⁴⁾ M8/111 mm	B1-B4 ⁴⁾ M8/111 mm
Terminal tightening torque	Counter torque required		M8:15-22 Nm ⁵⁾ , M10:30-44 Nm	M8:15-22 Nm ⁵⁾ , M10:30-44 Nm	M8:15-22 Nm ⁵⁾ , M10:30-44 Nm
Fuse-links bolts tightening torque		BB	5 Nm	20 Nm	20 Nm
		LR	5 Nm	20 Nm	20 Nm
Operating torque	Typical for 3 and 4-pole switch		7 Nm	19 Nm	19 Nm

* = Utilization category B.

¹⁾ Acc. to IEC 60947-1, § 6.1.1. Minimum ambient temperature -5°C. Category B: -5°C...-35°C.

²⁾ Some fuse links limit these figures further. Starting current characteristics must be considered separately.

³⁾ Max fuse body diam 52 mm.

⁴⁾ Max fuse body diam 62 mm.

⁵⁾ Side terminals tightening torque max 15 Nm.

⁶⁾ BS fuse manufacturers covered by this table ABB, MEM, Bussmann, GEC.

⁷⁾ 3-poles type only.

⁸⁾ Plug in types: fuse size gG/aM: 400/400.

⁹⁾ Max. allowed fuse-link knife height is 21 mm.

¹⁰⁾ Max. allowed fuse-link knife height is 27 mm.

Motorized switch fuses, IEC

Technical data for motor operators OSM32...250

Technical data for motor operators OSM according to IEC 60947

Switch type			32...63	100...160	200...250
Rated operational voltage U_e	Pollution degree 3	50/60 Hz		220 - 240 V AC	220 - 240 V AC
Operating voltage range			$0.85 - 1.1 \times U_e$	$0.85 - 1.1 \times U_e$	$0.85 - 1.1 \times U_e$
Operating time ¹⁾	90° I - 0, 0 - I	220-240VAC	0.5 - 1.0 s	0.5 - 1.0 s	0.5 - 1.0 s
Nominal current I_n ¹⁾		220-240VAC	0.3 A	0.3 A	0.3 A
Current Inrush ¹⁾		220-240VAC	1.5 A	1.5 A	1.5 A
Overload fuse	Type / I_n / Capacity	220-240VAC	T / 315 mA / H	T / 315 mA / H	T / 315 mA / H
	Size		5x20 mm	5x20 mm	5x20 mm
Operating rate	Cycle 0-I-0				
	Max. continuous	220-240VAC	1 cycles / min	1 cycles / min	1 cycles / min
	Max. short-time ≤ 10 cycles	220-240VAC	10 cycles / min	10 cycles / min	10 cycles / min
Overvoltage category			III	III	III
Rated impulse withstand voltage U_{imp}			4 kV	4 kV	4 kV
Dielectric strength		50 Hz 1 min.	1.5 kV	1.5 kV	1.5 kV
Impulse command		Min. impulse			
		duration		100 ms	100 ms
Terminals	Voltage supply wiring for U_e		PE - N - L	PE - N - L	PE - N - L
	Cross section	solid/stranded	1.5 - 2.5 mm ²	1.5 - 2.5 mm ²	1.5 - 2.5 mm ²
	Short-circuit protection device	max.fuse size	16 A	16 A	16 A
	Push-button control	C - I - O	no SELV	no SELV	no SELV
	Cross section	solid/stranded	1.5 - 2.5 mm ²	1.5 - 2.5 mm ²	1.5 - 2.5 mm ²
	Maximum cable length		100 m	100 m	100 m
State information of locking			no SELV	no SELV	no SELV
	Handle attached or motor operator locked	11-12-14 (C/O)	5A/250V $\cos\phi=1$	5A/250V $\cos\phi=1$	5A/250V $\cos\phi=1$
	Locking motor operator	23-24 (NO)	5A/250V $\cos\phi=1$	5A/250V $\cos\phi=1$	5A/250V $\cos\phi=1$
	Short-circuit protection device	MCB type and size	C/2A	C/2A	C/2A
Protection degree			IP20	IP20	IP20
Operating temperature			-25...+55 °C	-25...+55 °C	-25...+55 °C
Transportation and storage temperature			-40...+70 °C	-40...+70 °C	-40...+70 °C
Max. altitude			2000 m	2000 m	2000 m

¹⁾ Under nominal conditions.

Motorized switch fuses, IEC

Technical data for motor operators OSM315...1250

Technical data for motor operators OSM according to IEC 60947

Switch type			315...400	630...800	1250
Rated operational voltage U_e	Pollution degree 3	50/60 Hz	220 - 240 V AC	220 - 240 V AC	220 - 240 V AC
Operating voltage range			0.85 - 1.1 x U_e	0.85 - 1.1 x U_e	0.85 - 1.1 x U_e
Operating time ¹⁾	90° I - 0, 0 - I	220-240VAC	0.5 - 1.2 s	0.5 - 1.5 s	0.8 - 2.0 s
Nominal current I_n ¹⁾		220-240VAC	0.5 A	0.9 A	1.4 A
Current Inrush ¹⁾		220-240VAC	2.5 A	4 A	10 A
Overload fuse	Type / I_n / Capacity	220-240VAC	T / 500 mA/ H	T / 1000 mA/ H	T / 2000 mA/ H
	Size		5x20 mm	5x20 mm	5x20 mm
Operating rate	Cycle 0 - I - 0				
	Max. continuous	220-240VAC	1 cycles / min	1 cycles / min	0.5 cycles / min
	Max. short-time ≤ 10 cycles	220-240VAC	10 cycles / min	10 cycles / min	5 cycles / min
Overvoltage category			III	III	
Rated impulse withstand voltage U_{imp}			4 kV	4 kV	
Dielectric strength		50 Hz 1 min.	1.5 kV	1.5 kV	
Impulse command		Min. impulse duration			
Terminals	Voltage supply wiring for U_e		PE - N - L	PE - N - L	
	Cross section	solid/stranded	1.5 - 2.5 mm ²	1.5 - 2.5 mm ²	1.5 - 2.5 mm ²
	Short-circuit protection device	max.fuse size	16 A	16 A	16 A
	Push-button control	C - I - O	no SELV	no SELV	no SELV
	Maximum cable length		100 m	100 m	100 m
State information of locking			no SELV	no SELV	no SELV
	Handle attached or motor operator locked	11-12-14 (C/O)	5A/250V cos ϕ =1	5A/250V cos ϕ =1	5A/250V cos ϕ =1
	Locking motor operator	23-24 (NO)	5A/250V cos ϕ =1	5A/250V cos ϕ =1	5A/250V cos ϕ =1
	Short-circuit protection device	MCB type and size	C/2A	C/2A	C/2A
Protection degree			IP20	IP20	IP20
Operating temperature			-25...+55 °C	-25...+55 °C	-25...+55 °C
Transportation and storage temperature			-40...+70 °C	-40...+70 °C	-40...+70 °C
Max. altitude			2000 m	2000 m	2000 m

¹⁾ Under nominal conditions.

Fusible disconnect switches, UL/CSA

Technical data for OS30...200

	OS Mini 30	OS_60G	OS_100G	OS_200
Approvals ¹⁾	-	UL98, IEC 2 pole	UL98, IEC 2 pole	UL98, IEC 2 pole
	UL98, IEC 3 pole	UL98, IEC 3 pole	UL98, IEC 3 pole	UL98, IEC 3 pole
	UL98, IEC 4 pole	UL98, IEC 4 pole	UL98, IEC 4 pole	UL98, IEC 4 pole

Technical data according to UL/CSA

General purpose amp rating	pf= 0.7...0.8	up to 40°C	30 A	60 A	100 A	200 A
Max. operating voltage			600 VAC	600 VAC	600 VAC	600 VAC
				250 VDC	250 VDC	250 VDC
Max. horsepower rating/ motor FLA current	pf= 0.4...0.5 Three phase	240 V	7.5 HP/22.0 A	15 HP/42.0 A	30 HP/80.0 A	60 HP/154.0 A
		480 V	15 HP/21.0 A	30 HP/40.0 A	60 HP/77.0 A	125 HP/156.0 A
		600 V	20 HP/22.0 A	50 HP/52.0 A	75 HP/77.0 A	150 HP/144.0 A
	Single phase	120 V	2 HP/24.0 A			
		240 V	3 HP/17.0 A			
Short circuit rating with fuse, 3 and 4-pole types	UL/CSA fuse size		200 kA	200 kA	200 kA	200 kA
	UL/CSA fuse type		30 A	60 A	100 A	200 A
			J/CC	J	J	J
Min. electrical endurance	pf= 0.75...0.8	operation cycles	6 000	6 000	6 000	6 000
Terminal lug kits			Integral	Integral	OZXA-24	OZXA-200
Wire range			#18-8 AWG	#14-4 AWG	#14-2/0 AWG	#4-300 MCM
Torque	Wire tightening		17 lb.in	30/35 lb.in ³⁾	120 lb.in	200 lb.in
	Lug mounting		N/A	N/A	50 lb.in	72 lb.in

Technical data according to IEC 60947-3

Rated insulation voltage	Pollution degree 3	50 Hz 1min.	1 000 V	1 000 V	1 000 V	1 000 V	
Dielectric strength			10 kV	10 kV	10 kV	10 kV	
Rated impulse withstand voltage			12 kV			12 kV	
Rated thermal current in ambient 40 °C / max. fuse power dissipation ¹⁾ ...with minimum cable cross section	In open air		32 A/3.5 W	63 A/7.5 W	160 A/12 W	200 A/17 W	
	In enclosure		32 A/33.5 W	63 A/7.5 W	160 A/10,135 A/12 W	200 A/15 W	
		Cu	6 mm ²	16 mm ²	70 mm ²	95 mm ²	
Derating, mounting on wall horizontal fuses	In open air or ventilated enclosure		0 %	0 %	0 %	0 %	
	Totally enclosed		5 %	5 %	5 %	5 %	
Derating, mounting on ceiling			10 %	10 %	10 %	10 %	
Derating at 60 °C	In open air / in enclosure		20/20 %	20/20 %	20/20 %	20/20 %	
Power loss / pole	With rated current, without fuse		2 W	4 W	9 W	8 W	
Rated operational current AC-23A	Up to 500 V		32 A	63 A	160 A	200 A	
	690 V		32 A	63 A	160 A	200 A	
Rated operational power AC-23 ²⁾	The kW-ratings are accurate for three-phase 1500 R.P.M standard asynchronous motors.		230 V	7.5 kW	18.5 kW	45 kW	60 kW
			400 V	15 kW	30 kW	75 kW	110 kW
			415 V	15 kW	30 kW	75 kW	110 kW
			500 V	18.5 kW	37 kW	90 kW	132 kW
			690 V	22 kW	55 kW	132 kW	200 kW
Rated breaking capacity in category AC-23	up to 500 V		256 A	504 A	1280 A	1600 A	
	690 V		256 A	504 A	1280 A	1600 A	
Rated short-time withstand current, 1s.	r.m.s. -value		1 kA	2.5 kA	5 kA	8 kA	
Built-in terminal size	Cu		0.75...10 mm ²	2.5...25 mm ²			
Fuse-links bolts tightening torque					4 Nm	4 Nm	

¹⁾ UL listed disconnects are also listed under CSA requirements.

²⁾ Acc. to IEC 60947-1, § 6.1.1. Minimum ambient temperature -5°C...-35°C.

³⁾ Some fuse links limit these figures further. Starting current characteristics must be considered separately.

³⁾ 30 lb.in with cable size #14-10, 35 lb.in with cable size #8-4.tw

Fusible disconnect switches, UL/CSA

Technical data for OS400...1200

	OS400	OS600	OS800	OS1200
Approvals ¹⁾	UL98, IEC 2 pole	UL98, IEC 2 pole	UL98, IEC 2 pole	UL98, IEC 2 pole
	UL98, IEC 3 pole	UL98, IEC 3 pole	UL98, IEC 3 pole	UL98, IEC 3 pole
	UL98, IEC 4 pole	UL98, IEC 4 pole	UL98, IEC 4 pole	UL98, IEC 4 pole

Technical data according to UL/CSA

General purpose amp rating	pf= 0.7...0.8	up to 40°C	400 A	600 A	800 A	1200 A
Max. operating voltage			600 VAC	600 VAC	600 VAC	600 VAC
			250 VDC	250 VDC	250 VDC	250 VDC
Max. horsepower rating/ motor FLA current	pf= 0.4...0.5 Three phase	240 V	125.0 HP/312.0 A	200 HP/480.0 A	250 HP/602.0 A	
		480 V	250.0 HP/302.0 A	400 HP/477.0 A	500 HP/590.0 A	
		600 V	350.0 HP/336.0 A	500 HP/472.0 A	500 HP/472.0 A	
	Single phase	120 V				
		240 V				
Short circuit rating with fuse, 3 and 4-pole types	UL/CSA fuse size		200 kA	200 kA	200 kA	200 kA
	UL/CSA fuse type		400 A	600 A	800 A	1200 A
			J	J	L	L
Min. electrical endurance	pf= 0.75...0.8	operation cycles	1000	1000	500	500
Terminal lug kits			OZXA-400	OZXA-800	OZXA-800	OZXA-1200
Wire range			#2-600MCM	(2)#2-600MCM	(2)#2-600MCM	(4)#2-600MCM
Torque	Wire tightening		375 lb.in	500 lb.in	500 lb.in	500 lb.in
	Lug mounting		240 lb.in	480 lb.in	480 lb.in	480 lb.in

Technical data according to IEC 60947-3

Rated insulation voltage	Pollution degree 3	50 Hz 1min.	1 000 V	1 000 V	1 000 V	1 000 V
Dielectric strength			10 kV	10 kV	10 kV	10 kV
Rated impulse withstand voltage			12 kV	12 kV	12 kV	12 kV
Rated thermal current in ambient 40 °C / max. fuse power dissipation ²⁾ ...with minimum cable cross section	In open air		400 A/45 W	630 A/60 W	800 A/65 W	1250 A/110 W
	In enclosure		400 A/30 W	570 A/50 W	720 A/55 W	1000 A/85 W
		Cu	240 mm ²	2x185 mm ²	2x240 mm ²	2x400 mm ²
Derating, mounting on wall horizontal fuses	In open air or ventilated enclosure		0 %	0 %	4 %	4 %
	Totally enclosed		5 %	5 %	8 %	8 %
Derating, mounting on ceiling			10 %	10 %	10 %	10 %
Derating at 60 °C	In open air / in enclosure		20/20 %	20/20 %	20/20 %	20/20 %
Power loss / pole	With rated current, without fuse		30 W	46 W	75 W	75 W
Rated operational current AC-23A	Up to 500 V		400 A	630 A	800 A	1000 A ³⁾
	690 V		400 A	630 A	800 A	1000 A ³⁾
Rated operational power AC-23 ²⁾	The kW-ratings are accurate for three-phase 1500 R.P.M standard asynchronous motors.	230 V	132 kW	200 kW	250 kW	315 kW ³⁾
		400 V	220 kW	355 kW	450 kW	560 kW ³⁾
		415 V	230 kW	355 kW	450 kW	560 kW ³⁾
		500 V	280 kW	450 kW	560 kW	710 kW ³⁾
		690 V	400 kW	630 kW	710 kW	1000 kW ³⁾
Rated breaking capacity in category AC-23	up to 500 V		3200 A	6400 A	6400 A	8000 A
	690 V		3200 A	6400 A	6400 A	8000 A
Rated short-time withstand current, 1s.	r.m.s. -value		14 kA	20 kA	20 kA	
Built-in terminal size		Cu				
Fuse-links bolts tightening torque			20 Nm	40 Nm	40 Nm	40 Nm

¹⁾ UL listed disconnects are also listed under CSA requirements.

²⁾ Acc. to IEC 60947-1, § 6.1.1. Minimum ambient temperature -5°C. Category B: -5°C...-35°C.

³⁾ Some fuse links limit these figures further. Starting current characteristics must be considered separately.

³⁾ Utilization category B.





Switch fuses

Ordering information

Ordering information for Switch fuses DIN type

Manual operated switch fuses, 32...40 A	25
Manual operated switch fuses, 63 A	26
Manual operated switch fuses, 125 A	27
Manual operated switch fuses, 160 A	28
Manual operated switch fuses, 200 A	29
Manual operated switch fuses, 250 A	30
Manual operated switch fuses, 400 A	31
Manual operated switch fuses, 630 A	32
Manual operated switch fuses, 800 A	33
Manual operated switch fuses, 1250 A	34
Special connected switch fuses, 125...160 A	35
Special connected switch fuses, 200...400 A	36
Motorized switch fuses, 32...1250 A	37

Ordering information for Switch fuses BS type

Manual operated switch fuses, 20...32 A	38
Manual operated switch fuses, 63 A	39
Manual operated switch fuses, 100 A	40
Manual operated switch fuses, 125 A	41
Manual operated switch fuses, 160 A	42
Manual operated switch fuses, 200 A Gamma range	43
Manual operated switch fuses, 100...200 A with integrated nuts	44
Manual operated switch fuses, 200 A	45
Manual operated switch fuses, 250 A	46
Manual operated switch fuses, 315 A	47
Manual operated switch fuses, 400 A	48
Manual operated switch fuses, 630 A	49
Manual operated switch fuses, 800 A	50
Manual operated switch fuses, 1250 A	51
Special connected switch fuses, 125...200 A	52
Special connected switch fuses, 250...400 A	53
Motorized switch fuses, 32...1250 A	54

Ordering information for Switch fuses NFC type

Manual operated switch fuses, NFC type, 25...50 A	55
Manual operated switch fuses, NFC type, 125 A	56

Ordering information for Fusible disconnect switches, UL/CSA

Fusible disconnect switches, CC and J types, 30A	57
Fusible disconnect switches, J type, 60 A	58
Fusible disconnect switches, J type, 100 A	59
Fusible disconnect switches, J type, 200 A	60
Fusible disconnect switches, J type, 400 A	61
Fusible disconnect switches, J type, 600 A	62
Fusible disconnect switches, L type, 800...1200 A	63

Selection overview	65-67
---------------------------	-------

Ordering information for accessories	69-96
---	-------

Manual operated switch fuses, IEC

Ordering information for DIN-type, 32...40 A



OS32...63GD02P



OS32...63GD04N2P



OS32...63GD03K



OS32...63GD04N2K



OS32...63GDS30K



OS32...63GDS40N2K

Manual operated switch fuses, DIN-type, 32...40 A

Protected tunnel terminals, IP20. Mechanism located between the poles. The handles are IP65 protected, padlockable in the OFF-position and with door interlock in the ON-position.

G = Gamma range switch fuses from 32 to 160 Amperes

F = OS Mini range switch fuses 40 Amperes

N2 = Non-fused switched neutral on the right side

F = Fused switched neutral

Front operated

Rated current [A]	Fuse size	Number of poles	Type	Order number
Shaft and handle not included				
32	000	2	OS32GD02	1SCA116776R1001
32	000	3	OS32GD03	1SCA115188R1001
32	000	4	OS32GD04N2	1SCA115192R1001
32	000	4	OS32GD04F	1SCA115195R1001
40	000	3	OS40FD12000-2	1SCA108921R1001
40	000	4	OS40FD22000N1-2	1SCA108940R1001
With 161 mm shaft and external handle OHB45J6				
32	000	2	OS32GD02P	1SCA116714R1001
32	000	3	OS32GD03P	1SCA115189R1001
32	000	4	OS32GD04N2P	1SCA115193R1001
32	000	4	OS32GD04FP	1SCA115196R1001
With 150 mm shaft and external handle OHB65J6				
40	000	3	OS40FD12000	1SCA108914R1001
40	000	4	OS40FD22000N1	1SCA108938R1001
With direct mount handle OSV200BK				
32	000	2	OS32GD02K	1SCA122905R1001
32	000	3	OS32GD03K	1SCA116733R1001
32	000	4	OS32GD04N2K	1SCA116734R1001
32	000	4	OS32GD04FK	1SCA116737R1001

Side operated

Rated current [A]	Fuse size	Number of poles	Type	Order number
Shaft and handle not included				
32	000	3	OS32GDS30	1SCA115963R1001
32	000	4	OS32GDS40N2	1SCA116046R1001
32	000	4	OS32GDS40F	1SCA116755R1001
40	000	3	OS40FDS30000-2	1SCA108945R1001
With 70 mm shaft and external handle OHB65J6				
40	000	3	OS40FDS30000	1SCA108942R1001
40	000	4	OS40FDS40000N1	1SCA108954R1001
With direct mount handle OHB65D6				
32	000	3	OS32GDS30K	1SCA115929R1001
32	000	4	OS32GDS40N2K	1SCA116402R1001

Manual operated switch fuses, IEC

Ordering information for DIN-type, 63 A



OS32...63GD02P



OS32...63GD04N2P



OS32...63GD03K



OS32...63GD04N2K



OS32...63GDS30K



OS32...63GDS40N2K

Manual operated switch fuses, DIN-type, 63 A

Protected tunnel terminals, IP20. Mechanism located between the poles. The handles are IP65 protected, padlockable in the OFF-position and with door interlock in the ON-position.

G = Gamma range switch fuses from 32 to 160 Amperes

N2 = Non-fused switched neutral on the right side

F = Fused switched neutral

Front operated

Rated current [A]	Fuse size	Number of poles	Type	Order number
Shaft and handle not included				
63	000	2	OS63GD02	1SCA116777R1001
63	000	3	OS63GD03	1SCA115206R1001
63	000	4	OS63GD04N2	1SCA115208R1001
63	000	4	OS63GD04F	1SCA115225R1001
With 161 mm shaft and external handle OHB45J6				
63	000	2	OS63GD02P	1SCA116715R1001
63	000	3	OS63GD03P	1SCA115207R1001
63	000	4	OS63GD04N2P	1SCA115209R1001
63	000	4	OS63GD04FP	1SCA115228R1001
With direct mount handle OSV200BK				
63	000	2	OS63GD02K	1SCA122906R1001
63	000	3	OS63GD03K	1SCA116738R1001
63	000	4	OS63GD04N2K	1SCA116876R1001
63	000	4	OS63GD04FK	1SCA116739R1001

Side operated

Shaft and handle not included				
63	000	3	OS63GDS30	1SCA116007R1001
63	000	4	OS63GDS40N2	1SCA116047R1001
63	000	4	OS63GDS40F	1SCA116877R1001
With direct mount handle OHB65D6				
63	000	3	OS63GDS30K	1SCA115931R1001
63	000	4	OS63GDS40N2K	1SCA116403R1001

Manual operated switch fuses, IEC

Ordering information for DIN-type, 125 A



OS125...160GD03P



OS125...160GD03K



OS125...160GD04FK



OS125...160GDS40N2K

Manual operated switch fuses, DIN-type, 125 A

Including terminal bolt set M8X25. The handles are IP65 protected, padlockable in the OFF-position and with door interlock in the ON-position.

G = Gamma range switch fuses from 32 to 160 Amperes

F = Fused switches neutral

N2 = Non-fused switched neutral on the right side

Front operated

Rated current [A]	Fuse size	Number of poles	Type	Order number
Shaft and handle not included				
125	000, 00	2	OS125GD02	1SCA116873R1001
125	000, 00	3	OS125GD03	1SCA115638R1001
125	000, 00	4	OS125GD04N2	1SCA115876R1001
125	000, 00	4	OS125GD04F	1SCA115685R1001
With 161 mm shaft and external handle OHB45J6				
125	000, 00	2	OS125GD02P	1SCA116716R1001
125	000, 00	3	OS125GD03P	1SCA115639R1001
125	000, 00	4	OS125GD04N2P	1SCA115877R1001
125	000, 00	4	OS125GD04FP	1SCA115686R1001
With direct mount handle OSV200BK				
125	000, 00	2	OS125GD02K	1SCA122908R1001
125	000, 00	3	OS125GD03K	1SCA116878R1001
125	000, 00	4	OS125GD04N2K	1SCA116740R1001
125	000, 00	4	OS125GD04FK	1SCA116741R1001

Side operated

Rated current [A]	Fuse size	Number of poles	Type	Order number
Shaft and handle not included				
125	000, 00	3	OS125GDS30	1SCA115966R1001
125	000, 00	4	OS125GDS40N2	1SCA115967R1001
125	000, 00	4	OS125GDS40F	1SCA116756R1001
With direct mount handle OHB65D6				
125	000, 00	3	OS125GDS30K	1SCA115933R1001
125	000, 00	4	OS125GDS40N2K	1SCA115934R1001

Recommended accessories: Shrouds

Snap-on mounting, grey plastic, IP 3X from front. Transparent shrouds available on request. For more details see page 86.

Suitable for switches	Description	Number of poles	Type	Order number
OS/OSM100G...160G	Long type	3	OSS160GG1L/3	1SCA114764R1001
OS/OSM100G...160G	Short type	3	OSS160GG1S/3	1SCA114766R1001
OS/OSM100G...160G	Long type	4	OSS160GG1L/4	1SCA114765R1001
OS/OSM100G...160G	Short type	4	OSS160GG1S/4	1SCA114767R1001

Manual operated switch fuses, IEC

Ordering information for DIN-type, 160 A



OS125...160GD03P



OS125...160GD03K



OS125...160GD04FK



OS125...160GDS40N2K

Manual operated switch fuses, DIN-type, 160 A

Protected tunnel terminals, IP20. Mechanism located between the poles. The handles are IP65 protected, padlockable in the OFF-position and with door interlock in the ON-position.

G = Gamma range switch fuses from 32 to 160 Amperes

N2 = Non-fused switched neutral on the right side

F = Fused switched neutral

Front operated

Rated current [A]	Fuse size	Number of poles	Type	Order number
Shaft and handle not included				
160A	000, 00	2	OS160GD02	1SCA116778R1001
160A	000, 00	3	OS160GD03	1SCA114221R1001
160A	000, 00	4	OS160GD04N2	1SCA115881R1001
160A	000, 00	4	OS160GD04F	1SCA115401R1001
With 161 mm shaft and external handle OHB45J6				
160A	000, 00	2	OS160GD02P	1SCA116717R1001
160A	000, 00	3	OS160GD03P	1SCA115399R1001
160A	000, 00	4	OS160GD04N2P	1SCA115882R1001
160A	000, 00	4	OS160GD04FP	1SCA115402R1001
With direct mount handle OSV200BK				
160A	000, 00	2	OS160GD02K	1SCA122910R1001
160A	000, 00	3	OS160GD03K	1SCA116742R1001
160A	000, 00	4	OS160GD04N2K	1SCA116743R1001
160A	000, 00	4	OS160GD04FK	1SCA116880R1001

Side operated

Shaft and handle not included				
160A	000, 00	3	OS160GDS30	1SCA115968R1001
160A	000, 00	4	OS160GDS40N2	1SCA115969R1001
160A	000, 00	4	OS160GDS40F	1SCA116757R1001
With direct mount handle OHB65D6				
160A	000, 00	3	OS160GDS30K	1SCA115935R1001
160A	000, 00	4	OS160GDS40N2K	1SCA115939R1001

Recommended accessories: Shrouds

Snap-on mounting, grey plastic, IP 3X from front. Transparent shrouds available on request. For more details see page 86.

Suitable for switches	Description	Number of poles	Type	Order number
OS/OSM100G...160G	Long type	3	OSS160GG1L/3	1SCA114764R1001
OS/OSM100G...160G	Short type	3	OSS160GG1S/3	1SCA114766R1001
OS/OSM100G...160G	Long type	4	OSS160GG1L/4	1SCA114765R1001
OS/OSM100G...160G	Short type	4	OSS160GG1S/4	1SCA114767R1001

Manual operated switch fuses, IEC

Ordering information for DIN-type, 200 A



OS200DZ04N2P



OS200...250D03N3P



OS200...250D02P



OS200...250D03K



OS200...250DS40FK



OSS200G1L



OSS200G1S

Manual operated switch fuses, DIN-type, 200 A

Including terminal bolt set M8X25. Mechanism located at the end of the switch. The handles are IP65 protected, padlockable in the OFF-position and with door interlock in the ON-position.

F = Fuse switched neutral

N2 = Non-fused switched neutral on the right side

Front operated

Rated current [A]	Fuse size	Number of poles	Type	Order number
Shaft and handle not included				
200	0	2	OS200D02	1SCA022759R9140
200	0	3	OS200D03	1SCA022715R2240
200	00	3	OS200DZ03	1SCA022797R3520
200	0	4	OS200D04N2	1SCA022717R3670
200	0	4	OS200D04F	1SCA022725R8230
200	00	4	OS200DZ04N2	1SCA022819R4110
With 161 mm shaft and external handle OHB45J6				
200	0	2	OS200D02P	1SCA022759R9220
200	0	3	OS200D03P	1SCA022709R9500
200	00	3	OS200DZ03P	1SCA022797R3440
200	0	4	OS200D04N2P	1SCA022709R9680
200	0	4	OS200D04FP	1SCA022725R4750
200	00	4	OS200DZ04N2P	1SCA022820R9230
With direct mount handle OSV200BK				
200	0	3	OS200D03K	1SCA022764R7130
200	0	4	OS200D04N2K	1SCA022768R7430
200	0	4	OS200D04FK	1SCA022783R1220

Side operated

Shaft and handle not included				
200	0	3	OS200DS30	1SCA022871R1370
200	0	4	OS200DS40N2	1SCA022871R1700
200	0	4	OS200DS40F	1SCA022871R1530
With direct mount handle OHB65D6				
200	0	3	OS200DS30K	1SCA022871R1450
200	0	4	OS200DS40N2K	1SCA022871R1880
200	0	4	OS200DS40FK	1SCA022871R1610

Recommended accessories: Shrouds

Snap-on mounting, grey plastic, IP 3X from front. Transparent shrouds available on request. For more details see page 86.

Suitable for switches	Description	Number of poles	Type	Order number
OS/OSM200	Long type	3	OSS200G1L/3	1SCA022731R8910
OS/OSM200	Short type	3	OSS200G1S/3	1SCA022732R0130
OS/OSM200	Long type	4	OSS200G1L/4	1SCA022731R9040
OS/OSM200	Short type	4	OSS200G1S/4	1SCA022732R0050

Manual operated switch fuses, IEC

Ordering information for DIN-type, 250 A



OS200...250D03N3P



OS200...250D02P



OS200...250D03K



OS200...250DS40FK



OSS250G1L

Manual operated switch fuses, DIN-type, 250 A

Including terminal bolt set M10X30. The handles are IP65 protected, padlockable in the OFF-position and with door interlock in the ON-position.

F = Fused switched neutral

N2 = Non-fused switched neutral on the right side

Front operated

Rated current [A]	Fuse size	Number of poles	Type	Order number
Shaft and handle not included				
250	0-1	2	OS250D02	1SCA022746R7740
250	0-1	3	OS250D03	1SCA022720R7080
250	0-1	4	OS250D04N2	1SCA022725R0500
250	0-1	4	OS250D04F	1SCA022727R0360

With 161 mm shaft and external handle OHB45J6

250	0-1	2	OS250D02P	1SCA022760R0170
250	0-1	3	OS250D03P	1SCA022719R0090
250	0-1	4	OS250D04N2P	1SCA022719R2380
250	0-1	4	OS250D04FP	1SCA022726R8620

With direct mount handle OSV200BK

250	0-1	2	OS250D02K	1SCA101367R1001
250	0-1	3	OS250D03K	1SCA022763R6360
250	0-1	4	OS250D04N2K	1SCA022763R6440
250	0-1	4	OS250D04FK	1SCA022783R1310

Side operated

Shaft and handle not included				
250	0-1	3	OS250DS30	1SCA022871R2180
250	0-1	4	OS250DS40N2	1SCA022871R2510
250	0-1	4	OS250DS40F	1SCA022871R2340

With direct mount handle OHB65D6

250	0-1	3	OS250DS30K	1SCA022871R2260
250	0-1	4	OS250DS40N2K	1SCA022871R2690
250	0-1	4	OS250DS40FK	1SCA022871R2420

Recommended accessories: Shrouds

Snap-on mounting, grey plastic, IP 3X from front. Transparent shrouds available on request. For more details see page 86.

Suitable for switches	Description	Number of poles	Type	Order number
OS/OSM250	Long type	3	OSS250G1L/3	1SCA022731R9390
OS/OSM250	Short type	3	OSS250G1S/3	1SCA022731R9550
OS/OSM250	Long type	4	OSS250G1L/4	1SCA022731R9470
OS/OSM250	Short type	4	OSS250G1S/4	1SCA022731R9630

Manual operated switch fuses, IEC

Ordering information for DIN-type, 400 A



OS400D04FP



OS400D03K



OS400DS40FK

Manual operated switch fuses, DIN-type, 400 A

Including terminal bolt set M10X30. The handles are IP65 protected, padlockable in the OFF-position and with door interlock in the ON-position.

F = Fused switched neutral

N2 = Non-fused switched neutral on the right side

Front operated

Rated current [A]	Fuse size	Number of poles	Type	Order number
Shaft and handle not included				
400	0...2	2	OS400D02	1SCA022811R2820
400	0...2	3	OS400D03	1SCA022753R1000
400	0...2	4	OS400D04N2	1SCA022754R2620
400	0...2	4	OS400D04F	1SCA022754R3860
With 250 mm shaft and external handle OHB95J12				
400	0...2	2	OS400D02P	1SCA022811R2740
400	0...2	3	OS400D03P	1SCA022719R0250
400	0...2	4	OS400D04N2P	1SCA022719R2460
400	0...2	4	OS400D04FP	1SCA022753R7110
With direct mount handle OSV400DK				
400	0...2	2	OS400D02K	1SCA101369R1001
400	0...2	3	OS400D03K	1SCA022779R5410
400	0...2	4	OS400D04N2K	1SCA022763R7250
400	0...2	4	OS400D04FK	1SCA022783R1490

Side operated

Rated current [A]	Fuse size	Number of poles	Type	Order number
Shaft and handle not included				
400	0...2	3	OS400DS30	1SCA022871R2850
400	0...2	4	OS400DS40N2	1SCA022871R3230
400	0...2	4	OS400DS40F	1SCA022871R3070
With direct mount handle OHB145D12				
400	0...2	3	OS400DS30K	1SCA022871R2930
400	0...2	4	OS400DS40N2K	1SCA022871R3310
400	0...2	4	OS400DS40FK	1SCA022871R3150

Recommended accessories: Shrouds

Snap-on mounting, grey plastic, IP 3X from front. Transparent shrouds available on request. For more details see page 86.

Suitable for switches	Description	Number of poles	Type	Order number
OS/OSM315...400	Long type	3	OSS400G1L/3	1SCA022776R6650
OS/OSM315...400	Short type	3	OSS400G1S/3	1SCA022776R6900
OS/OSM315...400	Long type	4	OSS400G1L/4	1SCA022776R6730
OS/OSM315...400	Short type	4	OSS400G1S/4	1SCA022776R7030

Manual operated switch fuses, IEC

Ordering information for DIN-type, 630 A



OS630...800D02P



OS630...800D04FP



OS630...800D03K



OS630...800DS04FK



OSS800G1L



OSS800G1S

Manual operated switch fuses, DIN-type, 630 A

Including terminal bolt set M12X40. Mechanism located at the end of the switch. The handles are IP65 protected, padlockable in the OFF-position and with door interlock in the ON-position.

F = Fused switched neutral

N2 = Non-fused switched neutral on the right side

Front operated

Rated current [A]	Fuse size	Number of poles	Type	Order number
Shaft and handle not included				
630	3	2	OS630D02	1SCA106144R1001
630	3	3	OS630D03	1SCA022825R2670
630	3	4	OS630D04N2	1SCA022825R4110
630	3	4	OS630D04F	1SCA022825R4530

With 280 mm shaft and external handle OHB145J12

630	3	2	OS630D02P	1SCA107745R1001
630	3	3	OS630D03P	1SCA022825R2830
630	3	4	OS630D04N2P	1SCA022825R4290
630	3	4	OS630D04FP	1SCA022825R4610

With direct mount handle OSV800DK

630	3	3	OS630D03K	1SCA108704R1001
630	3	4	OS630D04N2K	1SCA108705R1001
630	3	4	OS630D04FK	1SCA110300R1001

Side operated

Shaft and handle not included				
630	3	3	OS630DS30	1SCA108135R1001
630	3	4	OS630DS40N2	1SCA108139R1001
630	3	4	OS630DS40F	1SCA108137R1001

With direct mount handle OHB145D12

630	3	3	OS630DS30K	1SCA108136R1001
630	3	4	OS630DS40N2K	1SCA108140R1001
630	3	4	OS630DS40FK	1SCA108138R1001

Recommended accessories: Shrouds

Snap-on mounting, grey plastic, IP 3X from front. Transparent shrouds available on request. For more details see page 86.

Suitable for switches	Description	Number of poles	Type	Order number
OS/OSM600...800	Long type	3	OSS800G1L/3	1SCA022776R7200
OS/OSM600...800	Short type	3	OSS800G1S/3	1SCA022776R7540
OS/OSM600...800	Long type	4	OSS800G1L/4	1SCA022776R7380
OS/OSM600...800	Short type	4	OSS800G1S/4	1SCA022776R7460

Manual operated switch fuses, IEC

Ordering information for DIN-type, 800 A



OS630...800D02P



OS630...800D04FP



OS630...800D03K



OS630...800DS04FK



OSS800G1L



OSS800G1S

Manual operated switch fuses, DIN-type, 800 A

Including terminal bolt set M12X40. Mechanism located at the end of the switch. The handles are IP65 protected, padlockable in the OFF-position and with door interlock in the ON-position.

F = Fused switched neutral

N2 = Non-fused switched neutral on the right side

Front operated

Rated current [A]	Fuse size	Number of poles	Type	Order number
Shaft and handle not included				
800	3	2	OS800D02	1SCA022837R2570
800	3	3	OS800D03	1SCA022825R4700
800	3	4	OS800D04N2	1SCA022825R5690
800	3	4	OS800D04F	1SCA022825R8520
With 280 mm shaft and external handle OHB145J12				
800	3	2	OS800D02P	1SCA022837R2650
800	3	3	OS800D03P	1SCA022825R4880
800	3	4	OS800D04N2P	1SCA022825R5180
800	3	4	OS800D04FP	1SCA022825R5000
With direct mount handle OSV800DK				
800	3	3	OS800D03K	1SCA108725R1001
800	3	4	OS800D04N2K	1SCA108722R1001
800	3	4	OS800D04FK	1SCA110299R1001

Side operated

Rated current [A]	Fuse size	Number of poles	Type	Order number
Shaft and handle not included				
800	3	3	OS800DS30	1SCA108098R1001
800	3	4	OS800DS40N2	1SCA108103R1001
800	3	4	OS800DS40F	1SCA108100R1001
With direct mount handle OHB145D12				
800	3	3	OS800DS30K	1SCA108099R1001
800	3	4	OS800DS40N2K	1SCA108104R1001
800	3	4	OS800DS40FK	1SCA108101R1001

Recommended accessories: Shrouds

Snap-on mounting, grey plastic, IP 3X from front. Transparent shrouds available on request. For more details see page 86.

Suitable for switches	Description	Number of poles	Type	Order number
OS/OSM600...800	Long type	3	OSS800G1L/3	1SCA022776R7200
OS/OSM600...800	Short type	3	OSS800G1S/3	1SCA022776R7540
OS/OSM600...800	Long type	4	OSS800G1L/4	1SCA022776R7380
OS/OSM600...800	Short type	4	OSS800G1S/4	1SCA022776R7460

Manual operated switch fuses, IEC

Ordering information for DIN-type, 1250 A



OS1250D02P



OS1250D03P



OS1250D04P



OS1250D03K

Manual operated switch fuses, DIN-type, 1250 A

Including terminal bolt set M12X50. Mechanism located at the end of the switch. The handles are IP65 protected, padlockable in the OFF-position and with door interlock in the ON-position.

F = Fused switched neutral

N2 = Non-fused switched neutral on the right side

Front operated

Rated current [A]	Fuse size	Number of poles	Type	Order number
Shaft and handle not included				
1250	4	2	OS1250D02	1SCA114045R1001
1250	4	3	OS1250D03	1SCA105474R1001
1250	4	4	OS1250D04N2	1SCA105247R1001
1250	4	4	OS1250D04F	1SCA105472R1001
1250	4a	2	OS1250DA02	1SCA114058R1001
1250	4a	3	OS1250DA03	1SCA105165R1001
1250	4a	4	OS1250DA04N2	1SCA105242R1001
1250	4a	4	OS1250DA04F	1SCA105239R1001
With 395 mm shaft and external handle OHB274J12				
1250	4	2	OS1250D02P	1SCA114051R1001
1250	4	3	OS1250D03P	1SCA105475R1001
1250	4	4	OS1250D04N2P	1SCA105248R1001
1250	4	4	OS1250D04FP	1SCA105473R1001
1250	4a	2	OS1250DA02P	1SCA114059R1001
1250	4a	3	OS1250DA03P	1SCA105238R1001
1250	4a	4	OS1250DA04N2P	1SCA105243R1001
1250	4a	4	OS1250DA04FP	1SCA105240R1001
With direct mount handle OSV1250DK				
1250	4	3	OS1250D03K	1SCA108718R1001
1250	4	4	OS1250D04N2K	1SCA108719R1001
1250	4	4	OS1250D04FK	1SCA113109R1001
1250	4	3	OS1250DA03K	1SCA108720R1001
1250	4	4	OS1250DA04N2K	1SCA108721R1001

Recommended accessories: Shrouds

Snap-on mounting, grey plastic, IP 3X from front. Transparent shrouds available on request. For more details see page 86.

Suitable for switches	Description	Number of poles	Type	Order number
OS1200...1250	Long type	3	OSS1250G1L/3	1SCA107938R1001
OS1200...1250	Short type	3	OSS1250G1S/3	1SCA107939R1001
OS1200...1250	Long type	4	OSS1250G1L/4	1SCA107940R1001
OS1200...1250	Short type	4	OSS1250G1S/4	1SCA107940R1001

Special connected switch fuses, IEC

Ordering information for DIN-type, 125 - 160 A



OS125...160GD12LRP



OS125...160GD04BBN2

Special connected switch fuses, DIN-type, 125 - 160 A

Including terminal bolt set M8X25. The handles are IP65 protected, padlockable in the OFF-position and with door interlock in the ON-position.

G = Gamma range from switch fuses from 125 to 160 Amperes

N2 = Non-fused switched neutral on the right side

Front operated with back in- back out connection

Rated current [A]	Fuse size	Number of poles	Type	Order number
Shaft and handle not included				
125	000, 00	3	OS125GD03BB	1SCA120801R1001
125	000, 00	4	OS125GD04BBN2	1SCA120805R1001
160A	000, 00	3	OS160GD03BB	1SCA120654R1001
160A	000, 00	4	OS160GD04BBN2	1SCA120660R1001
With 161 mm shaft and external handle OHB65J6				
125	000, 00	3	OS125GD03BBP	1SCA120802R1001
125	000, 00	4	OS125GD04BBN2P	1SCA120806R1001
160A	000, 00	3	OS160GD03BBP	1SCA120655R1001
160A	000, 00	4	OS160GD04BBN2P	1SCA120661R1001

Front operated with left in-right out connection

Rated current [A]	Fuse size	Number of poles	Type	Order number
Shaft and handle not included				
125	000, 00	3	OS125GD12LR	1SCA120253R1001
125	000, 00	3	OS125GD21LR	1SCA120319R1001
125	000, 00	4	OS125GD22LR	1SCA120262R1001
160	000, 00	3	OS160GD12LR	1SCA120266R1001
160	000, 00	3	OS160GD21LR	1SCA120268R1001
160	000, 00	4	OS160GD22LR	1SCA120274R1001
With 161 mm shaft and external handle OHB65J6				
125	000, 00	3	OS125GD12LRP	1SCA120062R1001
125	000, 00	3	OS125GD21LRP	1SCA120255R1001
125	000, 00	4	OS125GD22LRP	1SCA120263R1001
160	000, 00	3	OS160GD12LRP	1SCA120267R1001
160	000, 00	3	OS160GD21LRP	1SCA120294R1001
160	000, 00	4	OS160GD22LRP	1SCA120275R1001

Special connected switch fuses, IEC

Ordering information for DIN-type, 200 - 400 A



OS200...250D22LRP



OS250D03BB



OS250D04BBN2



OS400D12LRP

Special connected switch fuses, DIN-type, 200 - 400 A

Including terminal bolt set M8X25 (OS200...250) or M10X30 (OS400). Mechanism located at the end of the switch. The handles are IP65 protected, padlockable in the OFF-position and with door interlock in the ON-position.

F = Fused switched neutral

N2 = Non-fused switched neutral on the right side

Front operated with back in- back out connection

Rated current [A]	Fuse size	Number of poles	Type	Order number
Shaft and handle not included				
200	0	3	OS200D03BB	1SCA102151R1001
200	0	4	OS200D04BBN2	1SCA102146R1001
250	0-1	3	OS250D03BB	1SCA102197R1001
250	0-1	4	OS250D04BBN2	1SCA102201R1001
400	0...2	3	OS400D03BB	1SCA102273R1001
400	0...2	4	OS400D04BBN2	1SCA102291R1001

With 210 mm shaft and external handle OHB65J6

200	0	3	OS200D03BBP	1SCA102150R1001
200	0	4	OS200D04BBN2P	1SCA102139R1001
250	0-1	3	OS250D03BBP	1SCA102190R1001
250	0-1	4	OS250D04BBN2P	1SCA102205R1001

With 250 mm shaft and external handle OHB95J12

400	0...2	3	OS400D03BBP	1SCA102260R1001
400	0...2	4	OS400D04BBN2P	1SCA102289R1001

Front operated with left in-right out connection

Shaft and handle not included				
250	0-1	3	OS250D12LR	1SCA022852R8250
250	0-1	3	OS250D21LR	1SCA022852R8330
250	0-1	4	OS250D22LR	1SCA022853R0230
400	0...2	3	OS400D12LR	1SCA022853R2010
400	0...2	4	OS400D21LR	1SCA022853R2100
400	0...2	4	OS400D22LR	1SCA022853R4060

With 210 mm shaft and external handle OHB65J6

250	0-1	3	OS250D12LRP	1SCA022852R8410
250	0-1	3	OS250D21LRP	1SCA022852R8500
250	0-1	4	OS250D22LRP	1SCA022853R0310

With 250 mm shaft and external handle OHB95J12

400	0...2	3	OS400D12LRP	1SCA022853R2280
400	0...2	4	OS400D21LRP	1SCA022853R2360
400	0...2	4	OS400D22LRP	1SCA022853R4140

Motorized switch fuses, IEC

Ordering information for DIN-type, OSM32...1250 A



OSM63GD3M230C



OSM160GD3M230C



OSM200D4N2M230C



OSM400D3M230C



OSM800D3M230C



OSM1250D3M230C

Motorized switch fuses OSM, 32...1250

Including a handle for manual operation, bolt kit with nut and washers for all terminals (100A...1250A), male connectors for control circuit and a handle and spare fuse storage clip.
Type codes for motor voltage $U_e = 220-240$ VAC

G = Gamma range from switch fuses from 32 to 160 Amperes

N2 = Non-fused switched neutral on the right side

N3 = Detachable neutral link integrated into the mechanism

Switched fusible neutral available on request.

Front operated

Rated current [A]	Fuse size	Number of poles	Type	Order number
32	000	3	OSM32GD3M230C	1SCA116664R1001
32	000	4	OSM32GD4N2M230C	1SCA118822R1001
63	000	3	OSM63GD3M230C	1SCA116660R1001
63	000	4	OSM63GD4N2M230C	1SCA118865R1001
125	000, 00	3	OSM125GD3M230C	1SCA116674R1001
125	000, 00	4	OSM125GD4N2M230C	1SCA118828R1001
160	000, 00	3	OSM160GD3M230C	1SCA116673R1001
160	000, 00	4	OSM160GD4N2M230C	1SCA118831R1001
200	0	3	OSM200D3M230C	1SCA104284R1001
200	0	3+N	OSM200D3N3M230C	1SCA104282R1001
200	0	4	OSM200D4N2M230C	1SCA118836R1001
250	0-1	3	OSM250D3M230C	1SCA104295R1001
250	0-1	3+N	OSM250D3N3M230C	1SCA104297R1001
250	0-1	4	OSM250D4N2M230C	1SCA118838R1001
400	0-2	3	OSM400D3M230C	1SCA104315R1001
400	0-2	3+N	OSM400D3N3M230C	1SCA104317R1001
400	0-2	4	OSM400D4N2M230C	1SCA118842R1001
630	3	3	OSM630D3M230C	1SCA104518R1001
630	3	3+N	OSM630D3N3M230C	1SCA104533R1001
630	3	4	OSM630D4N2M230C	1SCA118846R1001
800	3	3	OSM800D3M230C	1SCA104522R1001
800	3	3+N	OSM800D3N3M230C	1SCA104534R1001
800	3	4	OSM800D4N2M230C	1SCA118847R1001
1250	4	3	OSM1250D3M230C	1SCA112549R1001
1250	4	3+N	OSM1250D3N3M230C	1SCA112547R1001
1250	4	4	OSM1250D4N2M230C	1SCA118850R1001
1250	4a	3	OSM1250DA3M230C	1SCA112546R1001
1250	4a	3+N	OSM1250DA3N3M230C	1SCA112544R1001
1250	4a	4	OSM1250DA4N2M230C	1SCA118851R1001

Handles and bolt kits included as standard

Suitable for switches	Handle+shaft kit
OSM32...63	OTV250EMK
OSM100...200	OTV250EMK
OSM250	OTV250EMK
OSM400	OTV400EMK
OSM630...800	OTV800EMK
OSM1250	OTV1000EMK

Manual operated switch fuses, IEC

Ordering information for BS-type, 20...32 A



OS32...63GB02P



OS32...63GB04N1P



OS32G...63GB03K



OS32G...63GB04N1K



OS32GBS30K



OS32GBS40N1K

Manual operated switch fuses, BS-type, 20...32

Protected tunnel terminals, IP20. Mechanism located at the end of the switch. The handles are IP65 protected, padlockable in the OFF-position and with door interlock in the ON-position.

F = OS Mini range switch fuses from 20 to 32 Amperes
 G = Gamma range from switch fuses 32 Amperes

N1 = Non-fused switched neutral on the left side
 F = Switched fusible neutral

Front operated

Rated current [A]	Fuse size	Number of poles	Type	Order number
Shaft and handle not included				
20	A1	3	OS20FB12A1-2	1SCA108791R1001
20	A1	4	OS20FB22A1N1-2	1SCA108797R1001
32	A1	3	OS32FB12A1-2	1SCA108841R1001
32	A2	3	OS32FB12A2-2	1SCA108848R1001
32	A2	4	OS32FB22A1N1-2	1SCA108855R1001
32	A2	4	OS32FB22A2N1-2	1SCA108865R1001
32	A2, A3	2	OS32GB02	1SCA116792R1001
32	A2, A3	3	OS32GB03	1SCA115255R1001
32	A2, A3	4	OS32GB04N1	1SCA115265R1001
With 150 mm shaft and external handle OHB65J6				
20	A1	3	OS20FB12A1	1SCA108790R1001
20	A1	4	OS20FB22A1N1	1SCA108796R1001
32	A1	3	OS32FB12A1	1SCA108840R1001
32	A2	3	OS32FB12A2	1SCA108847R1001
32	A2	4	OS32FB22A1N1	1SCA108853R1001
32	A2	4	OS32FB22A2N1	1SCA108863R1001
With 161 mm shaft and external handle OHB45J6				
32	A2, A3	2	OS32GB02P	1SCA116721R1001
32	A2, A3	3	OS32GB03P	1SCA115259R1001
32	A2, A3	4	OS32GB04N1P	1SCA114610R1001
With direct mount handle OSV200BK				
32	A2, A3	3	OS32GB03K	1SCA116744R1001
32	A2, A3	4	OS32GB04N1K	1SCA116856R1001
Side operated				
Shaft and handle not included				
32	A2, A3	3	OS32GBS30	1SCA115955R1001
32	A2, A3	4	OS32GBS40N1	1SCA115956R1001
With direct mount handle OHB65D6				
32	A2, A3	3	OS32GBS30K	1SCA115918R1001
32	A2, A3	4	OS32GBS40N1K	1SCA115923R1001

Manual operated switch fuses, IEC

Ordering information for BS-type, 63 A



OS32...63GB02P



OS32...63GB04N1P



OS32G...63GB03K



OS32G...63GB04N1K

Manual operated switch fuses, BS-type, 63 A

Protected tunnel terminals, IP20. Mechanism located at the end of the switch. The handles are IP65 protected, padlockable in the OFF-position and with door interlock in the ON-position.

G = Gamma range from switch fuses 63 Amperes

N1 = Non-fused switched neutral on the left side

F = Switched fusible neutral

Front operated

Rated current [A]	Fuse size	Number of poles	Type	Order number
Shaft and handle not included				
63	A2, A3	2	OS63GB02	1SCA116871R1001
63	A2, A3	3	OS63GB03	1SCA115234R1001
63	A2, A3	4	OS63GB04N1	1SCA115237R1001
63	A2, A3	4	OS63GB04F	1SCA116304R1001

With 161 mm shaft and external handle OHB45J6

63	A2, A3	2	OS63GB02P	1SCA116854R1001
63	A2, A3	3	OS63GB03P	1SCA115235R1001
63	A2, A3	4	OS63GB04N1P	1SCA115238R1001
63	A2, A3	4	OS63GB04FP	1SCA116305R1001

With direct mount handle OSV200BK

63	A2, A3	3	OS63GB03K	1SCA116745R1001
63	A2, A3	4	OS63GB04N1K	1SCA116746R1001

Side operated

Shaft and handle not included				
63	A2, A3	3	OS63GBS30	1SCA115957R1001
63	A2, A3	4	OS63GBS40N1	1SCA115978R1001

With direct mount handle OHB65D6

63	A2, A3	3	OS63GBS30K	1SCA115924R1001
63	A2, A3	4	OS63GBS40N1K	1SCA115979R1001

Manual operated switch fuses, IEC

Ordering information for BS-type, 100 A



OS100...160GB03P



OS100...160GB03N3P

Manual operated switch fuses, BS-type, 100 A

Including terminal bolt set M8x25. Mechanism located at the end of the switch. The handles are IP65 protected, padlockable in the OFF-position and with door interlock in the ON-position.

G = Gamma range from switch fuses 100 Amperes

N1 = Non-fused switched neutral on the left side

F = Switched fusible neutral

N3 = Detachable neutral link integrated into the mechanism

Front operated

Rated current [A]	Fuse size	Number of poles	Type	Order number
Shaft and handle not included				
100	A2-A4 ¹⁾	2	OS100GB02	1SCA116793R1001
100	A2-A4 ¹⁾	3	OS100GB03	1SCA116975R1001
100	A2-A4 ¹⁾	3+N	OS100GB03N3	1SCA125530R1001
100	A2-A4 ¹⁾	4	OS100GB04N1	1SCA116976R1001
With 161 mm shaft and external handle OHB65J6				
100	A2-A4 ¹⁾	2	OS100GB02P	1SCA116723R1001
100	A2-A4 ¹⁾	3	OS100GB03P	1SCA114613R1001
100	A2-A4 ¹⁾	3+N	OS100GB03N3P	1SCA125531R1001
100	A2-A4 ¹⁾	4	OS100GB04N1P	1SCA114614R1001
With direct mount handle OSV200BK				
100	A2-A4 ¹⁾	3	OS100GB03K	1SCA116747R1001
100	A2-A4 ¹⁾	4	OS100GB04N1K	1SCA116748R1001

Side operated

Rated current [A]	Fuse size	Number of poles	Type	Order number
Shaft and handle not included				
100	A2-A4 ¹⁾	3	OS100GBS30	1SCA116758R1001
100	A2-A4 ¹⁾	4	OS100GBS40N1	1SCA116759R1001
With 161 mm shaft and external handle OHB65J6E00S				
100	A2-A4 ¹⁾	3	OS100GBS30P	1SCA114656R1001
100	A2-A4 ¹⁾	4	OS100GBS40N1P	1SCA114657R1001

¹⁾ Max. fuse diameter 32 mm

Recommended accessories: Shrouds

Snap-on mounting, grey plastic, IP 3X from front. Transparent shrouds available on request. For more details see page 86.

Suitable for switches	Description	Number of poles	Type	Order number
OS/OSM100G...160G	Long type	3	OSS160GG1L/3	1SCA114764R1001
OS/OSM100G...160G	Short type	3	OSS160GG1S/3	1SCA114766R1001
OS/OSM100G...160G	Long type	4	OSS160GG1L/4	1SCA114765R1001
OS/OSM100G...160G	Short type	4	OSS160GG1S/4	1SCA114767R1001
Terminal shrouds suitable for mechanism with detachable integrated neutral (N3 versions)				
OS/OSM100G...250_ N3_	Long type	3+N	OTS250G1L	1SCA022715R5340
OS/OSM100G...250_ N3_	Short type	3+N	OTS250G1S	1SCA022715R5260

Manual operated switch fuses, IEC

Ordering information for BS-type, 125 A



OS100...160GB03P



OS100...160GB03N3P

Manual operated switch fuses, BS-type, 125 A

Including terminal bolt set M8x25. Mechanism located at the end of the switch. The handles are IP65 protected, padlockable in the OFF-position and with door interlock in the ON-position.

G = Gamma range from switch fuses 125 Amperes

N1 = Non-fused switched neutral on the left side

F = Switched fusible neutral

N3 = Detachable neutral link integrated into the mechanism

Front operated

Rated current [A]	Fuse size	Number of poles	Type	Order number
Shaft and handle not included				
125	A2-A4 ¹⁾	2	OS125GB02	1SCA116794R1001
125	A2-A4 ¹⁾	3	OS125GB03	1SCA115633R1001
125	A2-A4 ¹⁾	3+N	OS125GB03N3	1SCA122007R1001
125	A2-A4 ¹⁾	4	OS125GB04N1	1SCA115900R1001
With 161 mm shaft and external handle OHB65J6				
125	A2-A4 ¹⁾	2	OS125GB02P	1SCA116724R1001
125	A2-A4 ¹⁾	3	OS125GB03P	1SCA115634R1001
125	A2-A4 ¹⁾	3+N	OS125GB03N3P	1SCA122008R1001
125	A2-A4 ¹⁾	4	OS125GB04N1P	1SCA115901R1001
With direct mount handle OSV200BK				
125	A2-A4 ¹⁾	3	OS125GB03K	1SCA116751R1001
125	A2-A4 ¹⁾	4	OS125GB04N1K	1SCA116752R1001

Side operated

Rated current [A]	Fuse size	Number of poles	Type	Order number
Shaft and handle not included				
125	A2-A4 ¹⁾	3	OS125GBS30	1SCA116048R1001
125	A2-A4 ¹⁾	4	OS125GBS40N1	1SCA115959R1001
With 161 mm shaft and external handle OHB65J6E00S				
125	A2-A4 ¹⁾	3	OS125GBS30P	1SCA114658R1001
125	A2-A4 ¹⁾	4	OS125GBS40N1P	1SCA114659R1001
With direct mount handle OHB65D6				
125	A2-A4 ¹⁾	3	OS125GBS30K	1SCA116400R1001
125	A2-A4 ¹⁾	4	OS125GBS40N1K	1SCA115926R1001

¹⁾ Max. fuse diameter 32 mm.

Recommended accessories: Shrouds

Snap-on mounting, grey plastic, IP 3X from front. Transparent shrouds available on request. For more details see page 86.

Suitable for switches	Description	Number of poles	Type	Order number
OS/OSM100G...160G	Long type	3	OSS160GG1L/3	1SCA114764R1001
OS/OSM100G...160G	Short type	3	OSS160GG1S/3	1SCA114766R1001
OS/OSM100G...160G	Long type	4	OSS160GG1L/4	1SCA114765R1001
OS/OSM100G...160G	Short type	4	OSS160GG1S/4	1SCA114767R1001
Terminal shrouds suitable for mechanism with detachable integrated neutral (N3 versions)				
OS/OSM100G...250_N3_	Long type	3+N	OTS250G1L	1SCA022715R5340
OS/OSM100G...250_N3_	Short type	3+N	OTS250G1S	1SCA022715R5260

Manual operated switch fuses, IEC

Ordering information for BS-type, 160 A



OS100...160GB03P



OS100...160GB03N3P

Manual operated switch fuses, BS-type, 160 A

Including terminal bolt set M8x25. Mechanism located at the end of the switch. The handles are IP65 protected, padlockable in the OFF-position and with door interlock in the ON-position.

G = Gamma range from switch fuses 160 Amperes

N1 = Non-fused switched neutral on the left side

F = Switched fusible neutral

N3 = Detachable neutral link integrated into the mechanism

Front operated

Rated current [A]	Fuse size	Number of poles	Type	Order number
Shaft and handle not included				
160	A2-A4 ³⁾	2	OS160GB02	1SCA116795R1001
160	A2-A4 ³⁾	3	OS160GB03	1SCA115412R1001
160	A2-A4 ³⁾	3+N	OS160GB03N3	1SCA122009R1001
160	A2-A4 ³⁾	4	OS160GB04N1	1SCA115895R1001
160	A2-A4 ³⁾	4	OS160GB04F	1SCA115418R1001
With 161 mm shaft and external handle OHB65J6				
160	A2-A4 ³⁾	2	OS160GB02P	1SCA116725R1001
160	A2-A4 ³⁾	3	OS160GB03P	1SCA115413R1001
160	A2-A4 ³⁾	3+N	OS160GB03N3P	1SCA122010R1001
160	A2-A4 ³⁾	4	OS160GB04N1P	1SCA115896R1001
160	A2-A4 ³⁾	4	OS160GB04FP	1SCA115419R1001
With direct mount handle OSV200BK				
160	A2-A4 ³⁾	3	OS160GB03K	1SCA116753R1001
160	A2-A4 ³⁾	4	OS160GB04N1K	1SCA116754R1001

Side operated

Shaft and handle not included				
160	A2-A4 ³⁾	3	OS160GBS30	1SCA115960R1001
160	A2-A4 ³⁾	4	OS160GBS40N1	1SCA115961R1001
With 161 mm shaft and external handle OHB65J6E005				
160	A2-A4 ³⁾	3	OS160GBS30P	1SCA114660R1001
160	A2-A4 ³⁾	4	OS160GBS40N1P	1SCA114661R1001
With direct mount handle OHB65D6				
160	A2-A4 ³⁾	3	OS160GBS30K	1SCA115927R1001
160	A2-A4 ³⁾	4	OS160GBS40N1K	1SCA115928R1001

³⁾ Max. fuse diameter 32 mm.

Recommended accessories: Shrouds

Snap-on mounting, grey plastic, IP 3X from front. Transparent shrouds available on request. For more details see page 86.

Suitable for switches	Description	Number of poles	Type	Order number
OS/OSM100G...160G	Long type	3	OSS160GG1L/3	1SCA114764R1001
OS/OSM100G...160G	Short type	3	OSS160GG1S/3	1SCA114766R1001
OS/OSM100G...160G	Long type	4	OSS160GG1L/4	1SCA114765R1001
OS/OSM100G...160G	Short type	4	OSS160GG1S/4	1SCA114767R1001
Terminal shrouds suitable for mechanism with detachable integrated neutral (N3 versions)				
OS/OSM100G...250_N3_	Long type	3+N	OTS250G1L	1SCA022715R5340
OS/OSM100G...250_N3_	Short type	3+N	OTS250G1S	1SCA022715R5260

Manual operated switch fuses, IEC

Ordering information for BS-type, 200 A



OS200GB03P



OS200GB03N3P



OSS200G1L



OSS200G1S

Manual operated switch fuses, BS-type, 200 A

BS-fuse type dedicated Gamma-generation switch with rated operational current AC21-23A, 160A. Including terminal bolt set M8x25. Mechanism located at the end of the switch. The handles are IP65 protected, padlockable in the OFF-position and with door interlock in the ON-position.

G = Gamma range from switch fuses 200 Amperes

N1 = Non-fused switched neutral on the left side

F = Switched fusible neutral

N3 = Detachable neutral link integrated into the mechanism

Front operated

Rated current [A]	Fuse size	Number of poles	Type	Order number
Shaft and handle not included				
160	A2-A4 ¹⁾	3	OS200GB03	1SCA123903R1001
160	A2-A4 ¹⁾	3+N	OS200GB03N3	1SCA123904R1001
160	A2-A4 ¹⁾	4	OS200GB04N1	1SCA125491R1001
With 161 mm shaft and external handle OHB65J6				
160	A2-A4 ¹⁾	3	OS200GB03P	1SCA125468R1001
160	A2-A4 ¹⁾	3+N	OS200GB03N3P	1SCA126216R1001
160	A2-A4 ¹⁾	4	OS200GB04N1P	1SCA125493R1001
With direct mount handle OSV200BK				
160	A2-A4 ¹⁾	3	OS200GB03K	1SCA128085R1001
160	A2-A4 ¹⁾	3+N	OS200GB03N3K	1SCA128087R1001

¹⁾ Max. fuse diameter 32 mm.

Recommended accessories: Shrouds

Snap-on mounting, grey plastic, IP 3X from front. Transparent shrouds available on request. For more details see page 86.

Suitable for switches	Description	Number of poles	Type	Order number
OS/OSM200	Long type	3	OSS200G1L/3	1SCA022731R8910
OS/OSM200	Short type	3	OSS200G1S/3	1SCA022732R0130
OS/OSM200	Long type	4	OSS200G1L/4	1SCA022731R9040
OS/OSM200	Short type	4	OSS200G1S/4	1SCA022732R0050
Terminal shrouds suitable for mechanism with detachable integrated neutral (N3 versions)				
OS/OSM100G...250_N3_	Long type	3+N	OTS250G1L	1SCA022715R5340
OS/OSM100G...250_N3_	Short type	3+N	OTS250G1S	1SCA022715R5260

Manual operated switch fuses, IEC

Ordering information for BS-type, 100...200 A



Terminals with integrated nuts



OS100...200GB03P-42



OS100...160GB12P-42



OS100...200GB03N3P-42



OSS250G1SH

Manual operated switch fuses, BS-type, 100...200 A with integrated nuts

The types -42 have integrated nuts for ease of installation. Including terminal bolt set. Mechanism located at the end of the switch. The handles are IP65 protected, padlockable in the OFF-position and with door interlock in the ON-position.

G = Gamma range from switch fuses from 100 to 200 Amperes

N3 = Detachable neutral link integrated into the mechanism

Front operated

Rated current [A]	Fuse size	Number of poles	Type	Order number
Shaft and handle not included				
100	A2-A4 ¹⁾	3	OS100GB03-42	1SCA128216R1001
100	A2-A4 ¹⁾	3+N	OS100GB03N3-42	1SCA129906R1001
125	A2-A4 ¹⁾	3	OS125GB03-42	1SCA128214R1001
125	A2-A4 ¹⁾	3+N	OS125GB03N3-42	1SCA129911R1001
160	A2-A4 ¹⁾	3	OS160GB03-42	1SCA128212R1001
160	A2-A4 ¹⁾	3+N	OS160GB03N3-42	1SCA129915R1001
200	A2-A4 ¹⁾	3	OS200GB03-42	1SCA128210R1001
200	A2-A4 ¹⁾	3+N	OS200GB03N3-42	1SCA129921R1001
With 161 mm shaft and external handle OHB65J6				
100	A2-A4 ¹⁾	3	OS100GB03N3P-42	1SCA129907R1001
100	A2-A4 ¹⁾	3+N	OS100GB03P-42	1SCA128217R1001
125	A2-A4 ¹⁾	3	OS125GB03N3P-42	1SCA129912R1001
125	A2-A4 ¹⁾	3+N	OS125GB03P-42	1SCA128215R1001
160	A2-A4 ¹⁾	3	OS160GB03N3P-42	1SCA129916R1001
160	A2-A4 ¹⁾	3+N	OS160GB03P-42	1SCA128213R1001
200	A2-A4 ¹⁾	3	OS200GB03N3P-42	1SCA129922R1001
200	A2-A4 ¹⁾	3+N	OS200GB03P-42	1SCA128211R1001

¹⁾ Max. fuse diameter 32 mm.

Recommended accessories: Shrouds

Snap-on mounting, grey plastic, IP 3X from front. Transparent shrouds available on request. For more details see page 86.

Suitable for switches	Description	Number of poles	Type	Order number
OS/OSM100G...160G	Long type	3	OSS160GG1L/3	1SCA114764R1001
OS/OSM100G...160G	Short type	3	OSS160GG1S/3	1SCA114766R1001
OS/OSM100G...160G	Long type	4	OSS160GG1L/4	1SCA114765R1001
OS/OSM100G...160G	Short type	4	OSS160GG1S/4	1SCA114767R1001
OS/OSM200	Long type	3	OSS200G1L/3	1SCA022731R8910
OS/OSM200	Short type	3	OSS200G1S/3	1SCA022732R0130
OS/OSM200	Long type	4	OSS200G1L/4	1SCA022731R9040
OS/OSM200	Short type	4	OSS200G1S/4	1SCA022732R0050
Terminal shrouds suitable for mechanism with detachable integrated neutral (N3 versions)				
OS/OSM100G...250_N3_	Long type	3+N	OTS250G1L	1SCA022715R5340
OS/OSM100G...250_N3_	Short type	3+N	OTS250G1S	1SCA022715R5260

Manual operated switch fuses, IEC

Ordering information for BS-type, 200 A



OS200...250B02P



OS200...250B03N3



OS200...250BS30K



OS200...250BS40N2K



OSS200G1L



OSS200G1S



OSS250G1SH

Manual operated switch fuses, BS-type, 200 A

Including terminal bolt set M8x25. Mechanism located at the end of the switch. The handles are IP65 protected, padlockable in the OFF-position and with door interlock in the ON-position.

N1 = Non-fused switched neutral on the left side

F = Switched fusible neutral

N3 = Detachable neutral link integrated into the mechanism

Front operated

Rated current [A]	Fuse size	Number of poles	Type	Order number
Shaft and handle not included				
200	B1-B2	2	OS200B02	1SCA022769R7660
200	B1-B2	3	OS200B03	1SCA022717R3410
200	B1-B2	3+N	OS200B03N3	1SCA022750R0540
200	B1-B2	4	OS200B04F	1SCA123706R1001
With 210 mm shaft and external handle OHB65J6				
200	B1-B2	2	OS200B02P	1SCA022769R7820
200	B1-B2	3	OS200B03P	1SCA022709R9330
200	B1-B2	3+N	OS200B03N3P	1SCA022750R0620
200	B1-B2	4	OS200B04FP	1SCA123704R1001
With direct mount handle OSV200BK				
200	B1-B2	3	OS200B03K	1SCA022763R6950

Side operated

Rated current [A]	Fuse size	Number of poles	Type	Order number
Shaft and handle not included				
200	B1-B2	3	OS200BS30	1SCA022870R7770
200	B1-B2	4	OS200BS40F	1SCA022870R7930
With direct mount handle OHB65D6				
200	B1-B2	3	OS200BS30K	1SCA022870R7850
200	B1-B2	4	OS200BS40FK	1SCA022870R8070

Recommended accessories: Shrouds

Snap-on mounting, grey plastic, IP 3X from front. Transparent shrouds available on request. For more details see page 86.

Suitable for switches	Description	Number of poles	Type	Order number
OS/OSM200	Long type	3	OSS200G1L/3	1SCA022731R8910
OS/OSM200	Short type	3	OSS200G1S/3	1SCA022732R0130
OS/OSM200	Long type	4	OSS200G1L/4	1SCA022731R9040
OS/OSM200	Short type	4	OSS200G1S/4	1SCA022732R0050
Terminal shrouds suitable for mechanism with detachable integrated neutral (N3 versions)				
OS/OSM100G...250_N3_	Long type	3+N	OTS250G1L	1SCA022715R5340
OS/OSM100G...250_N3_	Short type	3+N	OTS250G1S	1SCA022715R5260

Manual operated switch fuses, IEC

Ordering information for BS-type, 250 A



OS200...250B02P



OS200...250B03N3



OS200...250BS30K



OS200...250BS40N2K



OSS250G1L



OSS250G1SH

Manual operated switch fuses, BS-type, 250 A

I Including terminal bolt set M10X30. Mechanism located at the end of the switch. The handles are IP65 protected, padlockable in the OFF-position and with door interlock in the ON-position.

N1 = Non-fused switched neutral on the left side

F = Switched fusible neutral

N3 = Detachable neutral link integrated into the mechanism

Front operated

Rated current [A]	Fuse size	Number of poles	Type	Order number
Shaft and handle not included				
250	B1-B3	2	OS250B02	1SCA022769R9360
250	B1-B3	3	OS250B03	1SCA022750R6400
250	B1-B3	3+N	OS250B03N3	1SCA022750R7980
250	B1-B3	4	OS250B04N1	1SCA022750R7040
250	B1-B3	4	OS250B04F	1SCA109110R1001

With 161 mm shaft and external handle OHB65J6

250	B1-B3	2	OS250B02P	1SCA022769R9440
250	B1-B3	3	OS250B03P	1SCA022750R6660
250	B1-B3	3+N	OS250B03N3P	1SCA022750R8010
250	B1-B3	4	OS250B04N1P	1SCA022750R7120
250	B1-B3	4	OS250B04FP	1SCA109112R1001

With direct mount handle OSV200BK

250	B1-B3	3	OS250B03K	1SCA022763R6010
250	B1-B3	4	OS250B04N1K	1SCA022763R6100

Side operated

Shaft and handle not included				
250	B1-B3	3	OS250BS30	1SCA022870R8580
250	B1-B3	4	OS250BS40F	1SCA022870R8740

With direct mount handle OHB65D6

250	B1-B3	3	OS250BS30K	1SCA022870R8660
250	B1-B3	4	OS250BS40FK	1SCA022870R8820

Recommended accessories: Shrouds

Snap-on mounting, grey plastic, IP 3X from front. Transparent shrouds available on request. For more details see page 86.

Suitable for switches	Description	Number of poles	Type	Order number
OS/OSM250	Long type	3	OSS250G1L/3	1SCA022731R9390
OS/OSM250	Short type	3	OSS250G1S/3	1SCA022731R9550
OS/OSM250	Long type	4	OSS250G1L/4	1SCA022731R9470
OS/OSM250	Short type	4	OSS250G1S/4	1SCA022731R9630

Terminal shrouds suitable for mechanism with detachable integrated neutral (N3 versions)

OS/OSM100G...250_N3_	Long type	3+N	OTS250G1L	1SCA022715R5340
OS/OSM100G...250_N3_	Short type	3+N	OTS250G1S	1SCA022715R5260

Manual operated switch fuses, IEC

Ordering information for BS-type, 315 A



OS315...400B03P



OS315BS30



OS315B04FP



OS315BS03K



OSS250G1SH

Manual operated switch fuses, BS-type, 315 A

Including terminal bolt set M10x30. Mechanism located at the end of the switch. The handles are IP65 protected, padlockable in the OFF-position and with door interlock in the ON-position.

N1 = Non-fused switched neutral on the left side

F = Switched fusible neutral

N3 = Detachable neutral link integrated into the mechanism

Front operated

Rated current [A]	Fuse size	Number of poles	Type	Order number
Shaft and handle not included				
315	B1-B4	2	OS315B02	1SCA022817R3370
315	B1-B4	3	OS315B03	1SCA022753R2070
315	B1-B4	3+N	OS315B03N3	1SCA022753R9590
315	B1-B4	4	OS315B04F	1SCA022777R5480
With 200 mm shaft and external handle OHB95J12				
315	B1-B4	2	OS315B02P	1SCA022817R3450
315	B1-B4	3	OS315B03P	1SCA022719R0680
315	B1-B4	3+N	OS315B03N3P	1SCA022753R8940
315	B1-B4	4	OS315B04FP	1SCA022753R6650
With direct mount handle OSV400BK				
315	B1-B4	3	OS315B03K	1SCA022763R6520
315	B1-B4	4	OS315B04N1K	1SCA022763R7170

Side operated

Shaft and handle not included				
315	B1-B4	3	OS315BS30	1SCA022870R9390
315	B1-B4	4	OS315BS40F	1SCA022870R9550
With direct mount handle OHB95D12				
315	B1-B4	3	OS315BS30K	1SCA022870R9470
315	B1-B4	4	OS315BS40FK	1SCA022870R9630

Recommended accessories: Shrouds

Snap-on mounting, grey plastic, IP 3X from front. Transparent shrouds available on request. For more details see page 86.

Suitable for switches	Description	Number of poles	Type	Order number
OS/OSM315...400	Long type	3	OSS400G1L/3	1SCA022776R6650
OS/OSM315...400	Short type	3	OSS400G1S/3	1SCA022776R6900
OS/OSM315...400	Long type	4	OSS400G1L/4	1SCA022776R6730
OS/OSM315...400	Short type	4	OSS400G1S/4	1SCA022776R7030
Terminal shrouds suitable for mechanism with detachable integrated neutral (N3 versions)				
OS/OSM315...400_N3_	Long type	3+N	OSS250G1L	1SCA022727R5080
OS/OSM315...400_N3_	Short type	3+N	OSS250G1S	1SCA022727R4940

Manual operated switch fuses, IEC

Ordering information for BS-type, 400 A



OS315...400B03P



OS400B03N3P



OS400B04FP



OS400B03K



OSS250G1SH

Manual operated switch fuses, BS-type, 400 A

Including terminal bolt set M8x25. Mechanism located at the end of the switch. The handles are IP65 protected, padlockable in the OFF-position and with door interlock in the ON-position.

N1 = Non-fused switched neutral on the left side

F = Switched fusible neutral

N3 = Detachable neutral link integrated into the mechanism

Front operated

Rated current [A]	Fuse size	Number of poles	Type	Order number
Shaft and handle not included				
400	B1-B4	2	OS400B02	1SCA022813R7140
400	B1-B4	3	OS400B03	1SCA022737R4900
400	B1-B4	3+N	OS400B03N3	1SCA022753R9830
400	B1-B4	4	OS400B04F	1SCA022754R4590
With 200 mm shaft and external handle OHB95J12				
400	B1-B4	2	OS400B02P	1SCA022813R7220
400	B1-B4	3	OS400B03P	1SCA022719R0840
400	B1-B4	3+N	OS400B03N3P	1SCA022753R9160
400	B1-B4	4	OS400B04FP	1SCA022753R6900
With direct mount handle OSV400BK				
400	B1-B4	3	OS400B03K	1SCA022763R6790

Side operated

Rated current [A]	Fuse size	Number of poles	Type	Order number
Shaft and handle not included				
400	B1-B4	3	OS400BS30	1SCA022871R0130
400	B1-B4	4	OS400BS40F	1SCA022871R0300
With direct mount handle OHB95D12				
400	B1-B4	3	OS400BS30K	1SCA022871R0210
400	B1-B4	4	OS400BS40FK	1SCA022871R0480

Recommended accessories: Shrouds

Snap-on mounting, grey plastic, IP 3X from front. Transparent shrouds available on request. For more details see page 86.

Suitable for switches	Description	Number of poles	Type	Order number
OS/OSM315...400	Long type	3	OSS400G1L/3	1SCA022776R6650
OS/OSM315...400	Short type	3	OSS400G1S/3	1SCA022776R6900
OS/OSM315...400	Long type	4	OSS400G1L/4	1SCA022776R6730
OS/OSM315...400	Short type	4	OSS400G1S/4	1SCA022776R7030
Terminal shrouds suitable for mechanism with detachable integrated neutral (N3 versions)				
OS/OSM315...400_N3_	Long type	3+N	OSS250G1L	1SCA022727R5080
OS/OSM315...400_N3_	Short type	3+N	OSS250G1S	1SCA022727R4940

Manual operated switch fuses, IEC

Ordering information for BS-type, 630 A



OS630B02P



OS630B03N3P



OS630B03K



OS630BS30



OS630BS40N2K



OSS800G1S

Manual operated switch fuses, BS-type, 630 A

Including terminal bolt set M12X40. Mechanism located at the end of the switch. The handles are IP65 protected, padlockable in the OFF-position and with door interlock in the ON-position.

N1 = Non-fused switched neutral on the left side

F = Switched fusible neutral

N3 = Detachable neutral link integrated into the mechanism

Front operated

Rated current [A]	Fuse size	Number of poles	Type	Order number
Shaft and handle not included				
630	C1-C2	2	OS630B02	1SCA113528R1001
630	C1-C2	3	OS630B03	1SCA022825R5770
630	C1-C2	3+N	OS630B03N3	1SCA106295R1001
630	C1-C2	4	OS630B04N1	1SCA022837R7020
630	C1-C2	4	OS630B04F	1SCA022825R5930
With 280 mm shaft and external handle OHB145J12				
630	C1-C2	2	OS630B02P	1SCA113529R1001
630	C1-C2	3	OS630B03P	1SCA022825R5850
630	C1-C2	3+N	OS630B03N3P	1SCA100860R1001
630	C1-C2	4	OS630B04N1P	1SCA022837R7110
630	C1-C2	4	OS630B04FP	1SCA022825R6070
With direct mount handle OSV800BK				
630	C1-C2	3	OS630B03K	1SCA108708R1001
630	C1-C2	4	OS630B04FK	1SCA110317R1001

Side operated

Shaft and handle not included				
630	C1-C2	3	OS630BS30	1SCA108147R1001
630	C1-C2	4	OS630BS40F	1SCA108149R1001
With direct mount handle OHB145D12				
630	C1-C2	3	OS630BS30K	1SCA108148R1001
630	C1-C2	4	OS630BS40FK	1SCA108150R1001

Recommended accessories: Shrouds

Snap-on mounting, grey plastic, IP 3X from front. Transparent shrouds available on request. For more details see page 86.

Suitable for switches	Description	Number of poles	Type	Order number
OS/OSM600...800	Long type	3	OSS800G1L/3	1SCA022776R7200
OS/OSM600...800	Short type	3	OSS800G1S/3	1SCA022776R7540
OS/OSM600...800	Long type	4	OSS800G1L/4	1SCA022776R7380
OS/OSM600...800	Short type	4	OSS800G1S/4	1SCA022776R7460
Terminal shrouds suitable for mechanism with detachable integrated neutral (N3 versions)				
OS/OSM630...800_N3_	Long type	3+N	OTS800G1L	1SCA022776R7710
OS/OSM630...800_N3_	Short type	3+N	OTS800G1S	1SCA022776R8010

Manual operated switch fuses, IEC

Ordering information for BS-type, 800 A



OS800B02P



OS800B03N3P



OS800BS30



OS800BS40N2K



OSS800G1L



OSS800G1S

Manual operated switch fuses, BS-type, 800 A

Including terminal bolt set M12X40. Mechanism located at the end of the switch. The handles are IP65 protected, padlockable in the OFF-position and with door interlock in the ON-position.

N1 = Non-fused switched neutral on the left side

F = Switched fusible neutral

N3 = Detachable neutral link integrated into the mechanism

Front operated

Rated current [A]	Fuse size	Number of poles	Type	Order number
Shaft and handle not included				
800	C1-C3	2	OS800B02	1SCA022837R6560
800	C1-C3	3	OS800B03	1SCA022825R7470
800	C1-C3	3+N	OS800B03N3	1SCA110102R1001
800	C1-C3	4	OS800B04N1	1SCA022837R6050
800	C1-C3	4	OS800B04F	1SCA022825R7710
With 280 mm shaft and external handle OHB145J12				
800	C1-C3	2	OS800B02P	1SCA022837R6480
800	C1-C3	3	OS800B03P	1SCA022825R7550
800	C1-C3	3+N	OS800B03N3P	1SCA100861R1001
800	C1-C3	4	OS800B04N1P	1SCA022837R6130
800	C1-C3	4	OS800B04FP	1SCA022825R7800
With direct mount handle OSV800BK				
800	C1-C3	3	OS800B03K	1SCA108713R1001
800	C1-C3	4	OS800B04FK	1SCA110316R1001

Side operated

Shaft and handle not included				
800	C1-C3	3	OS800BS30	1SCA108083R1001
800	C1-C3	4	OS800BS40F	1SCA108085R1001
With direct mount handle OHB145D12				
800	C1-C3	3	OS800BS30K	1SCA108084R1001
800	C1-C3	4	OS800BS40FK	1SCA108102R1001

Recommended accessories: Shrouds

Snap-on mounting, grey plastic, IP 3X from front. Transparent shrouds available on request. For more details see page 86.

Suitable for switches	Description	Number of poles	Type	Order number
OS/OSM600...800	Long type	3	OSS800G1L/3	1SCA022776R7200
OS/OSM600...800	Short type	3	OSS800G1S/3	1SCA022776R7540
OS/OSM600...800	Long type	4	OSS800G1L/4	1SCA022776R7380
OS/OSM600...800	Short type	4	OSS800G1S/4	1SCA022776R7460
Terminal shrouds suitable for mechanism with detachable integrated neutral (N3 versions)				
OS/OSM630...800_N3_	Long type	3+N	OTS800G1L	1SCA022776R7710
OS/OSM630...800_N3_	Short type	3+N	OTS800G1S	1SCA022776R8010

Manual operated switch fuses, IEC

Ordering information for BS type, 1250 A



OS1250B03N3P



OS1250B03N3K

Manual operated switch fuses, BS type, 1250 A

Including terminal bolt set M12X50. Mechanism located at the end of the switch. The handles are IP65 protected, padlockable in the OFF-position and with door interlock in the ON-position.

Front operated

Rated current [A]	Fuse size	Number of poles	Type	Order number
Shaft and handle not included				
1250 ¹⁾	D1	2	OS1250B02	1SCA114069R1001
1250 ¹⁾	D1	3	OS1250B03	1SCA105249R1001
1250 ¹⁾	D1	3+N	OS1250B03N3	1SCA127485R1001
1250 ¹⁾	D1	4	OS1250B04F	1SCA105257R1001
With 395 mm shaft and external handle OHB274J12				
1250 ¹⁾	D1	2	OS1250B02P	1SCA114070R1001
1250 ¹⁾	D1	3	OS1250B03P	1SCA105250R1001
1250 ¹⁾	D1	3+N	OS1250B03N3P	1SCA107936R1001
1250 ¹⁾	D1	4	OS1250B04FP	1SCA105258R1001
With direct mount handle OSV1250DK				
1250 ¹⁾	D1	3	OS1250B03K	1SCA108715R1001

¹⁾ 1250A / AC-20...22A, 1000A / AC-23A.

Recommended accessories: Shrouds

Snap-on mounting, grey plastic, IP 3X from front. Transparent shrouds available on request. For more details see page 86.

Suitable for switches	Description	Number of poles	Type	Order number
OS1200...1250	Long type	3	OSS1250G1L/3	1SCA107938R1001
OS1200...1250	Short type	3	OSS1250G1S/3	1SCA107939R1001
OS1200...1250	Long type	4	OSS1250G1L/4	1SCA107940R1001
OS1200...1250	Short type	4	OSS1250G1S/4	1SCA107941R1001
Terminal shrouds suitable for mechanism with detachable integrated neutral (N3 versions)				
OS1200...1250/OSM1250_N3_	Long type	3+N	OTS1600G1L	1SCA106134R1001
OS1200...1250/OSM1250_N3_	Short type	3+N	OTS1600G1S	1SCA102667R1001

Special connected switch fuses, IEC

Ordering information for BS-type, 125...200 A



OS125G...160GB12LR



OS125GB21LR



OS125GB22LR



OS125...160GB03BB



OS200B03BB

Special connected switch fuses, BS-type, 125...200 A

Including terminal bolt set M8x25. Mechanism located at the end of the switch. The handles are IP65 protected, padlockable in the OFF-position and with door interlock in the ON-position.

G = Gamma range from switch fuses from 125 to 160 Amperes

N1 = Non-fused switched neutral on the left side

N2 = Non-fused switched neutral on the right side

N3 = Detachable neutral link integrated into the mechanism

F = Switched fusible neutral

Front operated with back in - back out connection

Rated current [A]	Fuse size	Number of poles	Type	Order number
Shaft and handle not included				
125	A2-A4 ³⁾	3	OS125GB03BB	1SCA120782R1001
125	A2-A4 ³⁾	4	OS125GB04BBN2	1SCA120784R1001
160	A2-A4 ³⁾	3	OS160GB03BB	1SCA120656R1001
160	A2-A4 ³⁾	4	OS160GB04BBN2	1SCA120664R1001
200	B1-B2 ²⁾	3	OS200B03BB	1SCA102083R1001
200	B1-B2 ²⁾	4	OS200B04BBN2	1SCA102137R1001

With 161 mm shaft and external handle OHB65J6

125	A2-A4 ³⁾	3	OS125GB03BBP	1SCA120783R1001
125	A2-A4 ³⁾	4	OS125GB04BBN2P	1SCA120785R1001
160	A2-A4 ³⁾	3	OS160GB03BBP	1SCA120657R1001
160	A2-A4 ³⁾	4	OS160GB04BBN2P	1SCA120665R1001
200	B1-B2 ²⁾	3	OS200B03BBP	1SCA102082R1001
200	B1-B2 ²⁾	4	OS200B04BBN2P	1SCA102123R1001

³⁾ Max fuse diameter 32 mm.

Front operated with left in - right out connection

Shaft and handle not included				
125	A2-A4 ³⁾	3	OS125GB12LR	1SCA120257R1001
125	A2-A4 ³⁾	4	OS125GB21LR	1SCA120259R1001
125	A2-A4 ³⁾	4	OS125GB22LR	1SCA120264R1001
160	A2-A4 ³⁾	3	OS160GB12LR	1SCA123716R1001
160	A2-A4 ³⁾	4	OS160GB21LR	1SCA120272R1001
160	A2-A4 ³⁾	4	OS160GB22LR	1SCA120276R1001

With 161 mm shaft and external handle OHB65J6

125	A2-A4 ³⁾	3	OS125GB12LRP	1SCA120258R1001
125	A2-A4 ³⁾	4	OS125GB21LRP	1SCA120261R1001
125	A2-A4 ³⁾	4	OS125GB22LRP	1SCA120265R1001
160	A2-A4 ³⁾	3	OS160GB12LRP	1SCA120271R1001
160	A2-A4 ³⁾	4	OS160GB21LRP	1SCA120273R1001
160	A2-A4 ³⁾	4	OS160GB22LRP	1SCA120277R1001

Special connected switch fuses, IEC

Ordering information for BS-type, 250...400 A



OS250B12LR



OS250...400B03BB



OS250...400B04BBN2



OS400B03BB



OS400B04BB



OS400B12LR

Special connected switch fuses, BS-type, 250...400

Including terminal bolt set M10X30. Mechanism located at the end of the switch. The handles are IP65 protected, padlockable in the OFF-position and with door interlock in the ON-position.

N2 = Non-fused switched neutral on the right side

Front operated with back in- back out connection

Rated current [A]	Fuse size	Number of poles	Type	Order number
Shaft and handle not included				
250	B1-B3	3	OS250B03BB	1SCA102173R1001
250	B1-B3	4	OS250B04BBN2	1SCA102175R1001
With 161 mm shaft and external handle OHB65J6				
250	B1-B3	3	OS250B03BBP	1SCA102168R1001
250	B1-B3	4	OS250B04BBN2P	1SCA102164R1001

Front operated with left in-right out connection

Rated current [A]	Fuse size	Number of poles	Type	Order number
Shaft and handle not included				
250	B1-B3	3	OS250B12LR	1SCA022854R5420
250	B1-B3	4	OS250B21LR	1SCA022854R5510
250	B1-B3	4	OS250B22LR	1SCA022854R7120
With 161 mm shaft and external handle OHB65J6				
250	B1-B3	3	OS250B12LRP	1SCA022854R5690
250	B1-B3	4	OS250B21LRP	1SCA022854R5850
250	B1-B3	4	OS250B22LRP	1SCA022854R7210

Front operated with back in- back out connection

Rated current [A]	Fuse size	Number of poles	Type	Order number
Shaft and handle not included				
400	B1-B4	3	OS400B03BB	1SCA102250R1001
400	B1-B4	4	OS400B04BBN2	1SCA102239R1001
With 161 mm shaft and external handle OHB65J6				
400	B1-B4	3	OS400B03BBP	1SCA102252R1001
400	B1-B4	4	OS400B04BBN2P	1SCA102248R1001

Front operated with left in-right out connection

Rated current [A]	Fuse size	Number of poles	Type	Order number
Shaft and handle not included				
400	B1-B4	3	OS400B12LR	1SCA022855R1230
400	B1-B4	4	OS400B21LR	1SCA022855R1310
400	B1-B4	4	OS400B22LR	1SCA022855R2630
With 161 mm shaft and external handle OHB65J6				
400	B1-B4	3	OS400B12LRP	1SCA022855R1400
400	B1-B4	4	OS400B21LRP	1SCA022855R1580
400	B1-B4	4	OS400B22LRP	1SCA022855R2710

Motorized switch fuses, IEC

Ordering information for BS type, 32...1250 A



OSM250B3N3M230C



OSM250B4N1M230C



OSM315B3N3M230C

Motorized switch fuses OSM, BS type, 32...1250 A

Including a handle for manual operation, bolt kit with nut and washers for all terminals (100A...1250A), male connectors for control circuit and a handle and spare fuse storage clip. Type codes for motor voltage $U_e = 220-240$ VAC.

G = Gamma range from switch fuses from 32 to 160 Amperes

N2 = Non-fused switched neutral on the left side

N3 = Detachable neutral link integrated into the mechanism

Switched fusible neutral available on request.

Front operated

Rated current [A]	Fuse size	Number of poles	Type	Order number
Shaft and handle not included				
32	A2-A3	3	OSM32GB3M230C	1SCA116662R1001
32	A2-A3	4	OSM32GB4N1M230C	1SCA118775R1001
63	A2-A3	3	OSM63GB3M230C	1SCA116657R1001
63	A2-A3	4	OSM63GB4N1M230C	1SCA118776R1001
100	A2-A4	3	OSM100GB3M230C	1SCA116679R1001
100	A2-A4	4	OSM100GB4N1M230C	1SCA118779R1001
125	A2-A4	3	OSM125GB3M230C	1SCA116677R1001
125	A2-A4	4	OSM125GB4N1M230C	1SCA118780R1001
160	A2-A4	3	OSM160GB3M230C	1SCA116670R1001
160	A2-A4	4	OSM160GB4N1M230C	1SCA118781R1001
200	B1-B2	3	OSM200B3M230C	1SCA104272R1001
200	B1-B2	3+N	OSM200B3N3M230C	1SCA104323R1001
200	B1-B2	4	OSM200B4N1M230C	1SCA118784R1001
250	B1-B3	3	OSM250B3M230C	1SCA104287R1001
250	B1-B3	3+N	OSM250B3N3M230C	1SCA104290R1001
250	B1-B3	4	OSM250B4N1M230C	1SCA118785R1001
315	B1-B4	3	OSM315B3M230C	1SCA104303R1001
315	B1-B4	3+N	OSM315B3N3M230C	1SCA104306R1001
315	B1-B4	4	OSM315B4N1M230C	1SCA118788R1001
400	B1-B4	3	OSM400B3M230C	1SCA104310R1001
400	B1-B4	3+N	OSM400B3N3M230C	1SCA104312R1001
400	B1-B4	4	OSM400B4N1M230C	1SCA118789R1001
630	C1-C2	3	OSM630B3M230C	1SCA104516R1001
630	C1-C2	3+N	OSM630B3N3M230C	1SCA104535R1001
630	C1-C2	4	OSM630B4N1M230C	1SCA118791R1001
800	C1-C3	3	OSM800B3M230C	1SCA104520R1001
800	C1-C3	3+N	OSM800B3N3M230C	1SCA104536R1001
800	C1-C3	4	OSM800B4N1M230C	1SCA118792R1001
1250	D1	3	OSM1250B3M230C	1SCA112552R1001
1250	D1	3+N	OSM1250B3N3M230C	1SCA112550R1001
1250	D1	4	OSM1250B4N1M230C	1SCA118795R1001

Handles and bolt kits included as standard

Suitable for switches	Handle+shaft kit
OSM32...63	OTV250EMK
OSM100...200	OTV250EMK
OSM250	OTV250EMK
OSM315...400	OTV400EMK
OSM630...800	OTV800EMK
OSM1250	OTV1000EMK

Manual operated switch fuses, IEC

Ordering information for NFC type, 25...50 A



OS50GF04FP



OS50GFS40FK

Manual operated switch fuses, NFC type, 25...50 A

Protected tunnel terminals, IP20. Mechanism located at the end of the switch. The handles are IP65 protected, padlockable in the OFF-position and with door interlock in the ON-position.

F = OS Mini range switch fuses from 25 to 32 Amperes

G = Gamma range from switch fuses 50 Amperes

N1 = Non-fused switched neutral on the left side

F = Switched fusible neutral

Front operated

Rated current [A]	Fuse size	Number of poles	Type	Order number
Shaft and handle not included				
25	10x38	3	OS25FF1210-2	1SCA108801R1001
25	10x38	4	OS25FF2210N1-2	1SCA108806R1001
32	14x51	3	OS32FF1214-2	1SCA108888R1001
32	14x51	4	OS32FF2214N1-2	1SCA108889R1001
50	14x51	2	OS50GF02	1SCA116798R1001
50	14x51	3	OS50GF03	1SCA115490R1001
50	14x51	4	OS50GF04F	1SCA115497R1001
With 150 mm shaft and external handle OHB65J6				
25	10x38	3	OS25FF1210	1SCA108636R1001
25	10x38	4	OS25FF2210N1	1SCA108638R1001
32	14x51	3	OS32FF1214	1SCA115498R1001
With 161 mm shaft and external handle OHB45J6				
50	14x51	2	OS50GF02P	1SCA118345R1001
50	14x51	3	OS50GF03P	1SCA115492R1001
50	14x51	4	OS50GF04FP	1SCA115498R1001
Side operated				
Shaft and handle not included				
25	10x38	3	OS25FFS3010-2	1SCA108808R1001
32	14x51	3	OS32FFS3014-2	1SCA108890R1001
50	14x51	3	OS50GFS30	1SCA116050R1001
50	14x51	4	OS50GFS40F	1SCA116014R1001
With 70 mm shaft and external handle OHB65J6				
25	10x38	3	OS25FFS3010	1SCA108639R1001
32	14x51	3	OS32FFS3014	1Sca108646R1001
With direct mount handle OHB65D6				
50	14x51	3	OS50GFS30K	1SCA116404R1001
50	14x51	4	OS50GFS40FK	1SCA116425R1001

Manual operated switch fuses, IEC

Ordering information for NFC type, 125 A



OS125GFS40FK

Manual operated switch fuses, NFC type, 125 A

Including terminal bolt set M8x25. Mechanism located at the end of the switch. The handles are IP65 protected, padlockable in the OFF-position and with door interlock in the ON-position.

G = Gamma range from switch fuses 125 Amperes

N1 = Non-fused switched neutral on the left side

F = Switched fusible neutral

Front operated

Rated current [A]	Fuse size	Number of poles	Type	Order number
Shaft and handle not included				
125	22x58	2	OS125GF02	1SCA116852R1001
125	22x58	3	OS125GF03	1SCA115601R1001
125	22x58	4	OS125GF04F	1SCA115605R1001
With 161 mm shaft and external handle OHB45J6				
125	22x58	2	OS125GF02P	1SCA116727R1001
125	22x58	3	OS125GF03P	1SCA115602R1001
125	22x58	4	OS125GF04FP	1SCA115606R1001

Side operated

Shaft and handle not included				
125	22x58	3	OS125GFS30	1SCA115973R1001
125	22x58	4	OS125GFS40F	1SCA115975R1001
With direct mount handle OHB65D6				
125	22x58	3	OS125GFS30K	1SCA115944R1001
125	22x58	4	OS125GFS40FK	1SCA115946R1001

Recommended accessories: Shrouds

Snap-on mounting, grey plastic, IP 3X from front. Transparent shrouds available on request. For more details see page 86.

Suitable for switches	Description	Number of poles	Type	Order number
OS/OSM100G...160G	Long type	3	OSS160GG1L/3	1SCA114764R1001
OS/OSM100G...160G	Short type	3	OSS160GG1S/3	1SCA114766R1001
OS/OSM100G...160G	Long type	4	OSS160GG1L/4	1SCA114765R1001
OS/OSM100G...160G	Short type	4	OSS160GG1S/4	1SCA114767R1001

Manual operated fusible disconnect switches, UL/CSA

Ordering information for CC and J types, 30 A



OS30FACC12P

Manual operated fusible disconnect switches, CC and J types, 30 A

Protected tunnel terminals, IP20, cable size 0.5...10 mm², (AWG 18 - 8). Mechanism at the end of the switch. The handle is NEMA 1, 3R, 12 protected, padlockable in the OFF-position and with door interlock in the ON-position.

F = OS Mini range switch fuse 30 Amperes

F = Switched fusible neutral

Front operated

Rated current [A]	Fuse size	Number of poles	Type	Order number
Shaft and handle not included				
30	CC, 30 A	3	OS30FACC12	1SCA108813R1001
30	CC, 30 A	4	OS30FACC22F	1SCA108819R1001
30	J, 30 A	3	OS30FAJ12	1SCA108824R1001
30	J, 30 A	4	OS30FAJ22F	1SCA108829R1001
With 150 mm shaft and external handle OHB65J6				
30	CC, 30 A	3	OS30FACC12P	1SCA108817R1001
30	J, 30 A	3	OS30FAJ12P	1SCA108828R1001
30	J, 30 A	4	OS30FAJ22FP	1SCA108831R1001

Side operated

Shaft and handle not included				
30	CC, 30 A	3	OS30FACCS30	1SCA108822R1001
30	J, 30 A	3	OS30FAJS30	1SCA108834R1001

Manual operated fusible disconnect switches, UL/CSA

Ordering information for J type, 60 A



OS60GJ03P



OS60GJ04FP



OS60GJS40F



OS60GJS30K

Manual operated fusible disconnect switches, J type, 60 A

Protected tunnel terminals, IP20, cable size 2.5...25 mm² (AWG 14 - 4). Mechanism at the end of the switch. The handle is NEMA 1, 3R, 12 protected, padlockable in the OFF-position and with door interlock in the ON-position.

G = OS Gamma range switch fuse 60 Amperes

F = Switched fusible neutral

Front operated

Rated current [A]	Fuse size	Number of poles	Type	Order number
Shaft and handle not included				
60	J, 60 A	2	OS60GJ02	1SCA121900R1001
60	J, 60 A	3	OS60GJ03	1SCA115866R1001
60	J, 60 A	4	OS60GJ04F	1SCA115445R1001
With 161 mm shaft and external handle OHB45J6				
60	J, 60 A	2	OS60GJ02P	1SCA121901R1001
60	J, 60 A	3	OS60GJ03P	1SCA115443R1001
60	J, 60 A	4	OS60GJ04FP	1SCA115446R1001
With direct mount handle OSV200BK				
60	J, 60 A	2	OS60GJ02K	1SCA121927R1001
60	J, 60 A	3	OS60GJ03K	1SCA122100R1001
60	J, 60 A	4	OS60GJ04FK	1SCA122098R1001

Side operated

Rated current [A]	Fuse size	Number of poles	Type	Order number
Shaft and handle not included				
60	J, 60 A	3	OS60GJS30	1SCA116051R1001
60	J, 60 A	4	OS60GJS40F	1SCA115970R1001
With direct mount handle OHB65D6				
60	J, 60 A	3	OS60GJS30K	1SCA116426R1001
60	J, 60 A	4	OS60GJS40FK	1SCA115941R1001

Manual operated fusible disconnect switches, UL/CSA

Ordering information for J type, 100 A



OS100GJ03P



OS100GJ04FP



OS100GJS30

Manual operated fusible disconnect switches, J type, 100 A

Included terminal bolt set M8X25. Mechanism at the end of the switch. The handle is NEMA 1, 3R, 12 protected, padlockable in the OFF-position and with door interlock in the ON-position.

G = OS Gamma range switch fuses 100 Amperes

F = Switched fusible neutral

Front operated

Rated current [A]	Fuse size	Number of poles	Type	Order number
Shaft and handle not included				
100	J, 100 A	2	OS100GJ02	1SCA121932R1001
100	J, 100 A	3	OS100GJ03	1SCA115436R1001
100	J, 100 A	4	OS100GJ04F	1SCA115438R1001
With 161 mm shaft and external handle OHB65J6				
100	J, 100 A	2	OS100GJ02P	1SCA121933R1001
100	J, 100 A	3	OS100GJ03P	1SCA114639R1001
100	J, 100 A	4	OS100GJ04FP	1SCA115439R1001
With direct mount handle OSV200BK				
100	J, 100 A	2	OS100GJ02K	1SCA125031R1001
100	J, 100 A	3	OS100GJ03K	1SCA121957R1001
100	J, 100 A	4	OS100GJ04FK	1SCA122093R1001

Side operated

Shaft and handle not included				
100	J, 100 A	3	OS100GJS30	1SCA115971R1001
100	J, 100 A	4	OS100GJS40F	1SCA115972R1001
With direct mount handle OHB65D6				
100	J, 100 A	3	OS100GJS30K	1SCA115942R1001
100	J, 100 A	4	OS100GJS40FK	1SCA115943R1001

Manual operated fusible disconnect switches, UL/CSA

Ordering information for J type, 200 A



OS200J02P



OS200J02P



OS200J04FP



OS200J02K



OS200J03K

Manual operated fusible disconnect switches, J type, 200 A

Included terminal bolt set M8X25. Mechanism at the end of the switch. The handle is NEMA 1, 3R, 12 protected, padlockable in the OFF-position and with door interlock in the ON-position.

F = Switched fusible neutral

Front operated

Rated current [A]	Fuse size	Number of poles	Type	Order number
Shaft and handle not included				
200	J, 200 A	2	OS200J02	1SCA107591R1001
200	J, 200 A	3	OS200J03	1SCA022733R6130
200	J, 200 A	4	OS200J04F	1SCA022758R9340
With 210 mm shaft and external handle OHB65J6				
200	J, 200 A	2	OS200J02P	1SCA107598R1001
200	J, 200 A	3	OS200J03P	1SCA022709R9760
200	J, 200 A	4	OS200J04FP	1SCA022758R9770
With direct mount handle OSV200BK				
200	J, 200 A	3	OS200J03K	1SCA022763R5800

Side operated

Shaft and handle not included				
200	J, 200 A	3	OS200JS30	1SCA022871R3910
200	J, 200 A	4	OS200JS40F	1SCA022871R4120
With direct mount handle OHB65D6				
200	J, 200 A	3	OS200JS30K	1SCA022871R4040
200	J, 200 A	4	OS200JS40FK	1SCA022871R4210

Manual operated fusible disconnect switches, UL/CSA

Ordering information for J type, 400 A



OS400J03P



OS400J04FP



OS400J02P



OS400J04FP



OS400J03K



OS400J03P



OS400JS40FK

Manual operated fusible disconnect switches, J type, 400 A

Included terminal bolt set M10X40. Mechanism at the end of the switch. The handle is NEMA 1, 3R, 12 protected, padlockable in the OFF-position and with door interlock in the ON-position.

F = Switched fusible neutral

Front operated

Rated current [A]	Fuse size	Number of poles	Type	Order number
Shaft and handle not included				
400	J, 400 A	2	OS400J02	1SCA107592R1001
400	J, 400 A	3	OS400J03	1SCA022755R0810
400	J, 400 A	4	OS400J04F	1SCA022755R3660
With 250 mm shaft and external handle OHB95J12				
400	J, 400 A	2	OS400J02P	1SCA107596R1001
400	J, 400 A	3	OS400J03P	1SCA022719R1140
400	J, 400 A	4	OS400J04FP	1SCA022755R3740
With direct mount handle OSV200BK				
400	J, 400 A	3	OS400J03K	1SCA117773R1001

Side operated

Rated current [A]	Fuse size	Number of poles	Type	Order number
Shaft and handle not included				
400	J, 400 A	3	OS400JS30	1SCA022871R4980
400	J, 400 A	4	OS400JS40F	1SCA022871R5100
With direct mount handle OHB95D12				
400	J, 400 A	3	OS400JS30K	1SCA022871R5010
400	J, 400 A	4	OS400JS40FK	1SCA022871R5280

Manual operated fusible disconnect switches, UL/CSA

Ordering information for J type, 600 A



OS600J02P



OS600J02P



OS600J03P



OS600J04FP



OS600JS30K

Manual operated fusible disconnect switches, J type, 600 A

Included terminal bolt set M8X25. Mechanism at the end of the switch. The handle is NEMA 1, 3R, 12 protected, padlockable in the OFF-position and with door interlock in the ON-position.

F = Switched fusible neutral

Front operated

Rated current [A]	Fuse size	Number of poles	Type	Order number
Shaft and handle not included				
600	J, 600 A	2	OS600J02	1SCA107593R1001
600	J, 600 A	3	OS600J03	1SCA022825R8610
600	J, 600 A	4	OS600J04F	1SCA022839R3900
With 280 mm shaft and external handle OHB145J12				
600	J, 600 A	2	OS600J02P	1SCA107595R1001
600	J, 600 A	3	OS600J03P	1SCA022825R8870
600	J, 600 A	4	OS600J04FP	1SCA022839R4030
With direct mount handle OSV200BK				
600	J, 600 A	3	OS600J03K	1SCA117774R1001

Side operated

Rated current [A]	Fuse size	Number of poles	Type	Order number
Shaft and handle not included				
600	J, 600 A	3	OS600JS30	1SCA108111R1001
600	J, 600 A	4	OS600JS40F	1SCA108113R1001
With direct mount handle OHB95D12				
600	J, 600 A	3	OS600JS30K	1SCA108112R1001
600	J, 600 A	4	OS600JS40FK	1SCA108114R1001

Manual operated fusible disconnect switches, UL/CSA

Ordering information for L type, 800...1200 A



OS800L04FP

Manual operated fusible disconnect switches, L type, 800...1200 A

Included terminal bolt set OS800: M10X40, OS1200: M10X50. Mechanism at the end of the switch. The handle is NEMA 1, 3R, 12 protected, padlockable in the OFF-position and with door interlock in the ON-position.

F = Switched fusible neutral

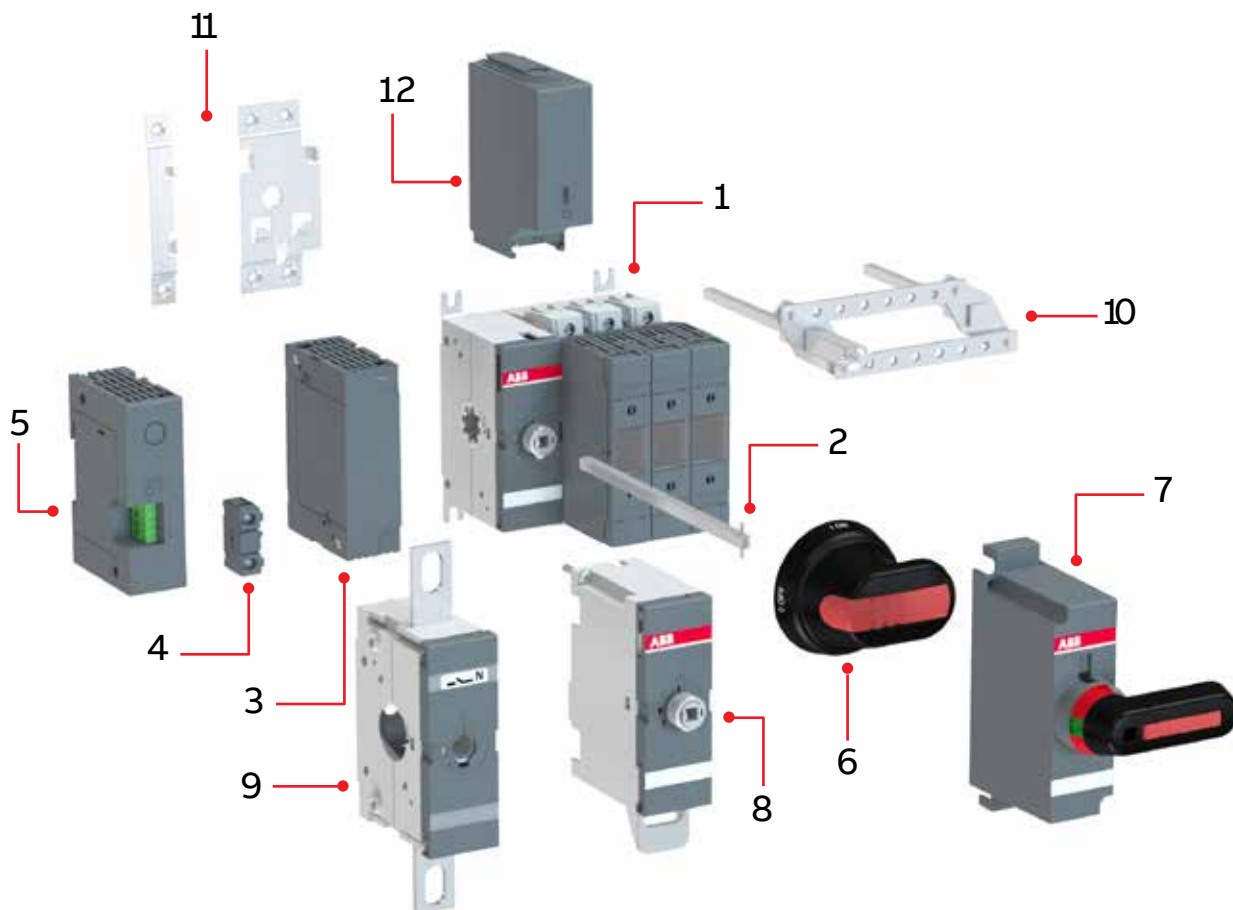
Front operated

Rated current [A]	Fuse size	Number of poles	Type	Order number
Shaft and handle not included				
800	L, 800 A	2	OS800L02	1SCA116920R1001
800	L, 800 A	3	OS800L03	1SCA022825R9760
800	L, 800 A	4	OS800L04F	1SCA022839R5350
1200	L, 1200 A	2	OS1200L02	1SCA116924R1001
1200	L, 1200 A	3	OS1200L03	1SCA105467R1001
1200	L, 1200 A	4	OS1200L04F	1SCA105465R1001
With 280 mm shaft and external handle OHB145J12				
800	L, 800 A	2	OS800L02P	1SCA116921R1001
800	L, 800 A	3	OS800L03P	1SCA022825R9920
800	L, 800 A	4	OS800L04FP	1SCA022839R5430
With 395 mm shaft and external handle OHB274J12				
1200	L, 1200 A	2	OS1200L02P	1SCA116925R1001
1200	L, 1200 A	3	OS1200L03P	1SCA105468R1001
1200	L, 1200 A	4	OS1200L04FP	1SCA105466R1001



Manual operated switch fuses 32...63

Selection overview



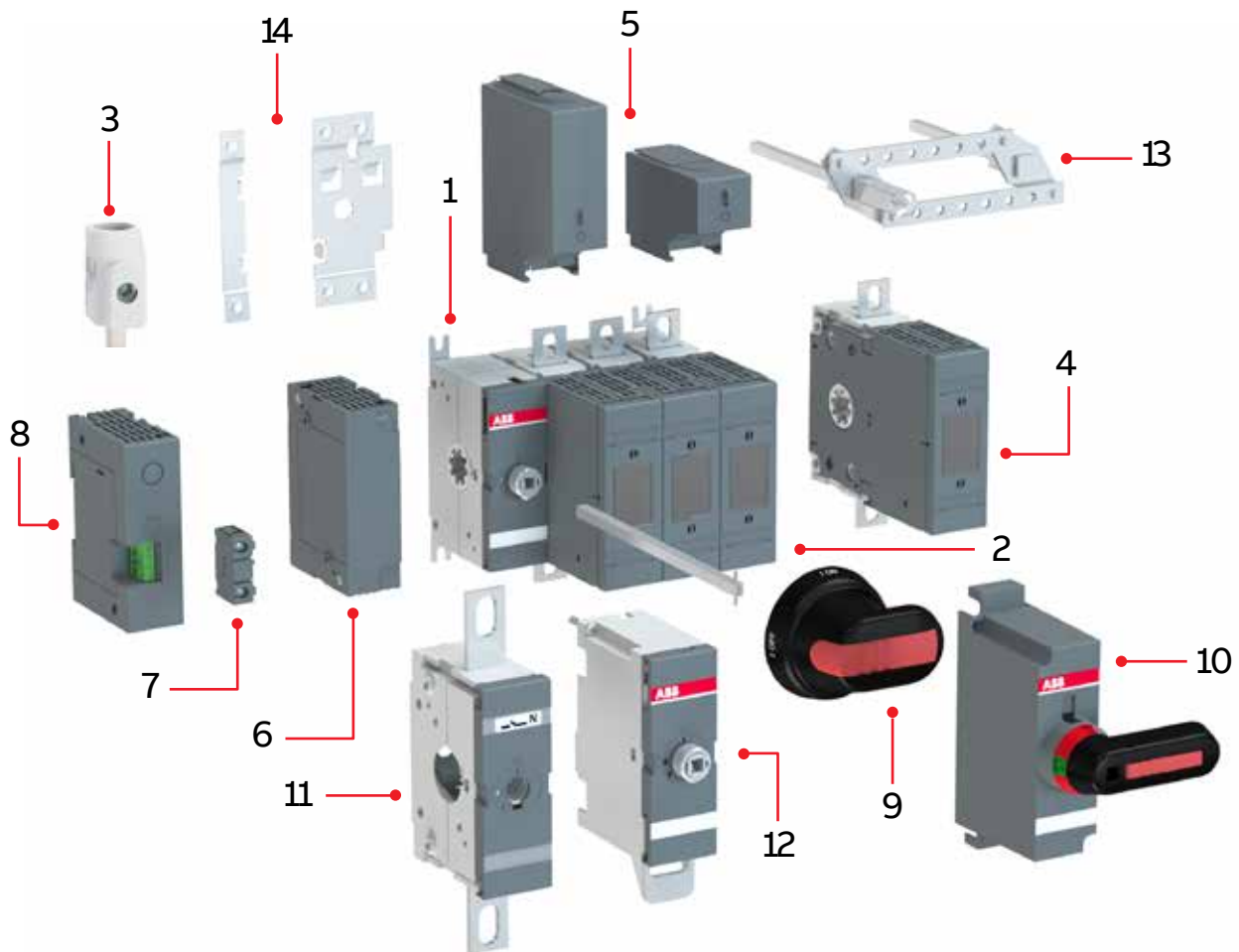
Accessory guide for OS32G...OS63G

- | | | |
|----------------------------------|----------------------------|---------------------|
| 1. Switch fuse | 6. Pistol type handle | 12. Terminal shroud |
| 2. Shaft | 7. Direct mounted handle | |
| 3. Module for auxiliary contacts | 8. Electrical interlock | |
| 4. Auxiliary contact | 9. Detachable neutral link | |
| 5. Fuse monitor | 10. Conversion kit | |
| | 11. DIN rail mounting kit | |

Please note that listed accessories are not automatically included in your order.
Ordering information for accessories from pages 69-72, 74-75, 77-78, 81 and 84-96.

Manual operated switch fuses 100...1250

Selection overview



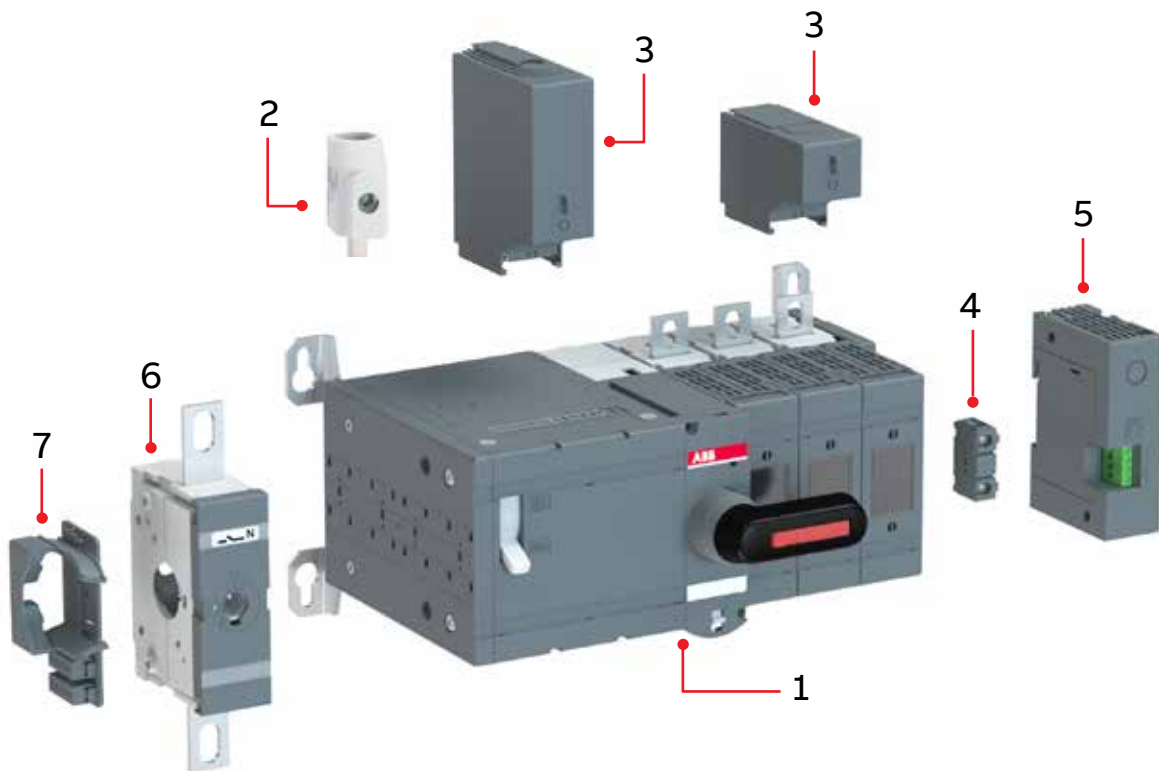
Accessory guide for OS100...1250

- | | | |
|--------------------|---------------------------------|-----------------------------|
| 1. Switch fuse | 6. Module for auxiliary contact | 10. Direct mount handle |
| 2. Shaft | 7. Auxiliary contact | 11. Detachable neutral link |
| 3. Terminal clamp | 8. Fuse monitor | 12. Electrical interlock |
| 4. Fourth pole | 9. Pistol handle | 13. Conversion kit |
| 5. Terminal shroud | | 14. DIN rail mounting kit |

Please note that listed accessories are not automatically included in your order.
Ordering information for accessories from pages 69-72, 74-75, 77-78, 81 and 84-96.

Motor operated switch fuses OSM32G...OSM1250

Selection overview



Accessory guide for OSM32G...OSM1250

- | | |
|--------------------------|---------------------------------|
| 1. Motorized switch fuse | 5. Fuse monitor |
| 2. Terminal clamp | 6. Detachable neutral link |
| 3. Terminal shroud | 7. Storage for handle and fuses |
| 4. Auxiliary contact | |

Please note that listed accessories are not automatically included in your order.
Ordering information for accessories from pages 82-84, 86-88 and 92-93



75t

120t

3

75t

D m 150

Accessories for manual operated switch fuses 32...1250 A

Ordering information for handles



OHB65J6



OHY65J6



OHG65J6



OHB95J12



OHY95J12T



OHB125J12

Pistol handles for front operated switch fuses

Plastic pistol handles, IP 65, Nema type 1, 3R, 12

Padlockable with 3 padlocks in the OFF-position, door interlock in the ON-position. Screw fixing from the back side of the handle ensures double insulation.

Colour	Handle length [mm]	Type	Order number	Weight/unit [kg]
--------	--------------------	------	--------------	------------------

For shaft diameter 6 mm (for OSMini and OS32...250)

Black and red-yellow: I-O/ON-OFF, grey: I-O.

Black	45	OHB45J6	1SCA022380R8770	0.12
Red-yellow	45	OHY45J6	1SCA022380R8930	0.12
Grey	45	OHG45J6	1SCA022380R8850	0.12
Black	65	OHB65J6	1SCA022380R9660	0.12
Red-yellow	65	OHY65J6	1SCA022380R9820	0.12
Grey	65	OHG65J6	1SCA022380R9740	0.12
Black	80	OHB80J6	1SCA022381R0240	0.14

Black and red-yellow: Test/I-O/ON-OFF, grey: Test/I-O.

Black	45	OHB45J6T	1SCA109870R1001	0.12
Black	65	OHB65J6T	1SCA022399R8110	0.12
Red-yellow	65	OHY65J6T	1SCA022456R9540	0.12
Grey	65	OHG65J6T	1SCA022456R9620	0.12
Black	80	OHB80J6T	1SCA022399R8290	0.14

For shaft diameter 12 mm (for OS315...400)

Black and red-yellow: I-O/ON-OFF, grey: I-O.

Black	95	OHB95J12	1SCA022381R0830	0.16
Red-yellow	95	OHY95J12	1SCA022381R1050	0.16
Grey	95	OHG95J12	1SCA022381R0910	0.16

Indication: Test-OFF-ON/Test-O-I

Black	95	OHB95J12T	1SCA022736R1750	0.16
Red-yellow	95	OHY95J12T	1SCA022736R1910	0.16

For shaft diameter 12 mm (for OS630...800)

Black and red-yellow: I-O/ON-OFF, grey: I-O.

Black	125	OHB125J12	1SCA022381R1560	0.16
Red-yellow	125	OHY125J12	1SCA022381R1720	0.16
Grey	125	OHG125J12	1SCA022381R1640	0.16
Black	145	OHB145J12	1SCA022381R2110	0.17
Red-yellow	145	OHY145J12	1SCA022381R2370	0.17
Grey	145	OHG145J12	1SCA022381R2290	0.17
Black	175	OHB175J12	1SCA022381R2450	0.18
Red-yellow	175	OHY175J12	1SCA022381R2700	0.18
Grey	175	OHG175J12	1SCA022381R2610	0.18

Indication: Test-OFF-ON/Test-O-I

Black	125	OHB125J12T	1SCA022652R2220	0.16
Red-yellow	125	OHY125J12T	1SCA022652R2310	0.16
Black	145	OHB145J12T	1SCA022652R2570	0.17
Red-yellow	145	OHY145J12T	1SCA022652R2650	0.17
Black	175	OHB175J12T	1SCA022708R0740	0.18

- Door interlocking in the ON-position means that the door cannot be opened, when the handle is in the ON-position. This can be defeated to allow authorized personnel access for inspection.
- Handles padlockable in all positions and NEMA4/4X handles are available on request.

Accessories for manual operated switch fuses 32...1250 A

Ordering information for handles



OHB274/330J12



OHY274J12



OHM_

Pistol handles for front operated switch fuses

Plastic pistol handles, IP 65, Nema type 1, 3R, 12

Padlockable with 3 padlocks in the OFF-position, door interlock in the ON-position. Screw fixing from the back side of the handle ensures double insulation.

Colour	Handle length [mm]	Type	Order number	Weight/unit [kg]
--------	--------------------	------	--------------	------------------

For shaft diameter 12 mm (for OS1200...1250)

Black and red-yellow: I-O/ON-OFF.

Black	274	OHB274J12	1SCA115920R1001	0.54
Red-yellow	274	OHY274J12	1SCA115919R1001	0.54
Black	330	OHB330J12	1SCA115922R1001	0.58
Red-yellow	330	OHY330J12	1SCA115921R1001	0.58
Black	2x150	OHB150J12P	1SCA022865R9430	0.17
Red-yellow	2x150	OHY150J12P	1SCA101586R1001	0.17
Black	2x200	OHB200J12P	1SCA022865R9510	0.40
Red-yellow	2x200	OHY200J12P	1SCA101587R1001	0.40

Indication: Test-OFF-ON/Test-O-I

Black	274	OHB274J12T	1SCA120250R1001	0.54
Black	330	OHB330J12T	1SCA120252R1001	0.58
Black	2x200	OHB200J12PT	1SCA106510R1001	0.40
Red-yellow	2x200	OHY200J12PT	1SCA111512R1001	0.40

- Door interlocking in the ON-position means that the door cannot be opened, when the handle is in the ON-position. This can be defeated to allow authorized personnel access for inspection.
- Handles padlockable in all positions and NEMA4/4X handles are available on request.

Stainless steel pistol handles, IP66, NEMA 4X

Padlockable with 3 padlocks in the OFF-position, door interlock in the ON-position, indication: I-O/ON-OFF

Colour	Handle length [mm]	Type	Order number	Weight/unit [kg]
--------	--------------------	------	--------------	------------------

For shaft diameter 6 mm (for OSMini and OS32...250)

Metallic	45	OHM45L6	1SCA111295R1001	0.70
Metallic	65	OHM65L6	1SCA022739R1070	0.73

For shaft diameter 12 mm

Metallic	125	OHM125L12	1SCA022739R1150	0.76
Metallic	175	OHM175L12	1SCA022739R1230	0.83
Metallic	275	OHM275L12	1SCA022832R4840	0.96

Accessories for manual operated switch fuses 32...1250 A

Ordering information for handles



OHB65J6E00S



OHY65J6E00S



OHZX14

Pistol handles for side operated switch fuses

Plastic pistol handles, IP 65, Nema type 1, 3R, 12

For mounting on the side of the enclosure. Padlockable with three padlocks in the OFF-position, door interlock in the ON-position, IP 65. The position indications are rotated 90°. If the handle is mounted on the front of the door, a standard handle can be used as well.

Colour	Handle length [mm]	Type	Order number	Weight/unit [kg]
--------	--------------------	------	--------------	------------------

For shaft diameter 6 mm

Plastic handles, black and red-yellow: I-O/ON-OFF, grey: I-O.

Black	65	OHB65J6E00S	1SCA022382R9850	0.12
Red-yellow	65	OHY65J6E00S	1SCA022382R9930	0.12
Grey	65	OHG65J6E00S	1SCA022383R4510	0.12

Plastic handles, black and red-yellow: Test/I-O/ON-OFF, grey: Test/I-O.

Black	65	OHB65J6TE00S	1SCA109016R1001	0.12
Red-yellow	65	OHY65J6TE00S	1SCA022688R0140	0.12
Grey	65	OHG65J6TE00S	1SCA109014R1001	0.12

For shaft diameter 12 mm

Plastic handles, indication I-O/ON-OFF

Black	145	OHB145J12E00S	1SCA022679R9700	0.17
-------	-----	---------------	-----------------	------

- Door interlocking in the ON-position means that the door cannot be opened, when the handle is in the ON-position.

- This can be defeated to allow authorized personnel access for inspection.

- Handles padlockable in all positions are available on request.

Extension ring for pistol handles

Suitable for handles	Colour	Type	Order number	Weight/unit [kg]
OHB_	Black	OHZX14	1SCA022851R6590	0.06

Accessories for manual operated switch fuses 32...1250 A

Ordering information for handles



OSV250DK



OSV400DK



OSV1250DK



OHB4



OFAE506

Direct mount handles for front operated switch fuses

Panel board handle, can be padlocked in the OFF-position. Includes a special shaft. The handle can also be used with a standard shaft as padlocking device.

Suitable for switches	Colour	Type	Order number	Weight/unit [kg]
-----------------------	--------	------	--------------	------------------

Suitable for OS 32G...1250

Indication: Test OFF-ON/Test O-I indication Padlockable with three padlocks in the OFF-position, optionally also in the ON-position. Includes shaft and mechanism cover.

Suitable for switches	Colour	Type	Order number	Weight/unit [kg]
OS32G...160G, OS200J	Black	OSV200BK	1SCA022779R7530	0.14
OS200B/J_K	Red-yellow	OSVY200BK	1SCA022779R7700	0.14
OS200D...250D/B_K	Black	OSV250DK	1SCA022763R3510	0.16
OS200D...250D/B_K	Red-yellow	OSVY250DK	1SCA022778R6500	0.16
OS400D_K	Black	OSV400DK	1SCA022763R4230	0.34
OS400D_K	Red-yellow	OSVY400DK	1SCA022779R5590	0.34
OS315...400B/J_K	Black	OSV400BK	1SCA022763R3930	0.33
OS315...400B/J_K	Red-yellow	OSVY400BK	1SCA022779R5830	0.33
OS600...800_K	Black	OSV800DK	1SCA107794R1001	1.1
OS600...800_K	Red-yellow	OSVY800DK	1SCA108703R1001	1.1
OS1200...OS1250_K	Black	OSV1250DK	1SCA107797R1001	1.5
OS1200...OS1250_K	Red-yellow	OSVY1250DK	1SCA108702R1001	1.5

Direct mount handles for side operated switch fuses

Panel board handle, can be padlocked in the OFF-position. Includes a special shaft. The handle can also be used with a standard shaft as padlocking device.

Suitable for OS Mini

Padlockable with three padlocks in the OFF- position when the door is open. Max. bail dia 6 mm.

Suitable for switches	Colour	Type	Order number	Weight/unit [kg]
OS20F...40F_	Black	OHB4	1SCA022439R4050	0.05

Fuse replacement handles

For DIN-fuse sizes	Type	Order number	Weights/unit [kg]
000,00,1,2,3	OFAE506	1SCA128175R1001	0.2

Accessories for switch fuses OS Mini 20...40 A

Ordering information for shafts

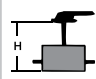


OXP6X_



OXP_X_-45

Extended shafts

Shaft length [mm]			Type	Order number	Weight/unit [kg]
	Front operated H [mm]	Side operated H [mm]			
For OS 16...35 (Mini)²⁾, shaft diameter 6 mm					
150	135...210	154...166	OSP6X150 ³⁾	1SCA022295R5600	0.05
170	155...230	174...186	OSP6X170	1SCA108224R1001	0.05
265	250...325	269...281	OSP6X265	1SCA108225R1001	0.08
400	385...460	404...416	OSP6X400	1SCA108226R1001	0.12
150	135...210	154...166	OSP6X150-45 ¹⁾	1SCA022294R4400	0.05
170	155...230	174...186	OSP6X170-45 ¹⁾	1SCA108227R1001	0.05
265	380...460	269...281	OSP6X265-45 ¹⁾	1SCA108228R1001	0.08
400	380...460	404...416	OSP6X400-45 ¹⁾	1SCA108229R1001	0.12
For OS 40 (Mini)²⁾, shaft diameter 6 mm					
150	135...210	235...243	OSP6X150 ³⁾	1SCA022295R5600	0.05
170	155...230	255...363	OSP6X170	1SCA108224R1001	0.05
265	250...325	352...360	OSP6X265	1SCA108225R1001	0.08
400	385...460	487...495	OSP6X400	1SCA108226R1001	0.12
150	135...210	235...243	OSP6X150-45 ¹⁾	1SCA022294R4400	0.05
170	155...230	255...363	OSP6X170-45 ¹⁾	1SCA108227R1001	0.05
265	250...325	352...360	OSP6X265-45 ¹⁾	1SCA108228R1001	0.08
400	385...460	487...495	OSP6X400-45 ¹⁾	1SCA108229R1001	0.12
For OS 32G...63G⁴⁾, shaft diameter 6 mm					
63		161...167	OSP6X63	1SCA111010R1001	0.02
90		188...194	OSP6X90	1SCA022064R1180	0.03
130	127...174 ⁵⁾	228...234	OSP6X130	1SCA022057R0570	0.04
161	138...205		OSP6X161 ³⁾	1SCA022067R1760	0.05
210	187...254		OSP6X210	1SCA022295R6080	0.06
290	267...334		OSP6X290	1SCA022042R6370	0.08
360	337...404		OSP6X360	1SCA022042R6530	0.10
430	407...474		OSP6X430	1SCA022056R6030	0.12
210	187...254		OSP6X210-45 ¹⁾	1SCA022294R4230	0.06
290	267...334		OSP6X290-45 ¹⁾	1SCA022304R4290	0.08
360	337...404		OSP6X360-45 ¹⁾	1SCA022341R4640	0.10

¹⁾ The shaft position is rotated 45 degrees.

²⁾ Side operated, 4-pole: add 36 mm.

³⁾ Included as standard in P-types.

⁴⁾ Side operated 3-pole OS60GJ: add 33mm, 4-pole types: OS32...63GD/GB: add 23.5 mm, OS60GJ: add 68mm.

⁵⁾ Included as standard in front operated types.

⁶⁾ OS32...63GB/GF: 115...174.

Accessories for manual operated switch fuses 32...1250 A

Ordering information for shafts



OXP6X_



OXP_X_-45



OHP12X_

Extended shafts

Shaft length [mm]	Front operated H [mm]	Side operated H [mm]	Type	Order number	Weight/unit [kg]
For OS100G...160G²⁾, shaft diameter 6 mm					
63		161...167	OXP6X63	1SCA111010R1001	0.02
90		188...194	OXP6X90	1SCA022064R1180	0.03
130	127...174 ⁴⁾	228...234	OXP6X130	1SCA022057R0570	0.04
161	138...205		OXP6X161 ³⁾	1SCA022067R1760	0.05
210	187...254		OXP6X210	1SCA022295R6080	0.06
290	267...334		OXP6X290	1SCA022042R6370	0.08
360	337...404		OXP6X360	1SCA022042R6530	0.10
430	407...474		OXP6X430	1SCA022056R6030	0.12
210	187...254		OXP6X210-45 ¹⁾	1SCA022294R4230	0.06
290	267...334		OXP6X290-45 ¹⁾	1SCA022304R4290	0.08
360	337...404		OXP6X360-45 ¹⁾	1SCA022341R4640	0.10
For OS 200...250 DIN-type, shaft diameter 6 mm					
161	160...205	321...327	OXP6X161	1SCA022067R1760	0.05
210	189...254	370...376	OXP6X210 ³⁾	1SCA022295R6080	0.06
290	269...334		OXP6X290	1SCA022042R6370	0.08
For OS 200...250 BS-type, shaft diameter 6 mm					
161	140...205	321...327	OXP6X161	1SCA022067R1760	0.05
210	189...254	370...376	OXP6X210 ³⁾	1SCA022295R6080	0.06
290	269...334		OXP6X290	1SCA022042R6370	0.08
For OS 315...400, shaft diameter 12 mm					
250	230...325	489...495	OXP12X250 ³⁾	1SCA022325R6980	0.30
280	260...355	519...525	OXP12X280	1SCA022137R5140	0.30
325	305...400		OXP12X325	1SCA022042R5810	0.36
395	375...470		OXP12X395	1SCA022042R5990	0.43
465	445...540		OXP12X465	1SCA022042R6020	0.51
535	515...610		OXP12X535	1SCA022042R6110	0.59

¹⁾ The shaft position is rotated 45 degrees.

²⁾ Side operated, 4-pole: add 35 mm.

³⁾ Included as standard in P-types.

⁴⁾ OS100GJ: 113...174, OS100GB...160GB: 121...174.

Accessories for manual operated switch fuses 32...1250 A

Ordering information for shafts



OXP12X_



OXP12X250-45



OETLZX95

Extended shafts

Shaft length [mm]			Type	Order number	Weight/unit [kg]
	Front operated H [mm]	Side operated H [mm]			
For OS 630...800, shaft diameter 12 mm					
280	258...382	645...651	OXP12X280 ²⁾	1SCA022137R5140	0.30
325	303...427		OXP12X325	1SCA022042R5810	0.40
395	373...497		OXP12X395	1SCA022042R5990	0.50
465	443...567		OXP12X465	1SCA022042R6020	0.60
535	513...637		OXP12X535	1SCA022042R6110	0.70
280	258...382		OXP12X280-45 ¹⁾	1SCA022382R0800	0.30
325	303...427		OXP12X325-45 ¹⁾	1SCA022304R4450	0.40
For OS 1200...1250, shaft diameter 12 mm					
395	366...495 ³⁾	371...500 ⁴⁾	OXP12X395 ²⁾	1SCA022042R5990	0.43
465	436...565 ³⁾	441...570 ⁴⁾	OXP12X465	1SCA022042R6020	0.51
535	506...635 ³⁾	441...571 ⁴⁾	OXP12X535	1SCA022042R6110	0.59

¹⁾ The shaft position is rotated 45 degrees.

²⁾ Included as standard in front operated P-types.

³⁾ H with handle OH_274/330J12.

⁴⁾ H with handle OHB150/200J12P.

Shaft extension socket

For extending the shaft of combination attachment.

Suitable for shaft with diameter [mm]	Type	Order number	Weight/unit [kg]
12	OETLZX95	1SCA022083R5620	0.04

Accessories for switch fuses OS Mini 20...40 A

Ordering information for auxiliary contacts



OA4B10



OA3G01

Auxiliary contacts for OS20F...40F_ (OS Mini)

Units/type = 1 piece

Description	Type	Order number	Weight/unit [kg]
-------------	------	--------------	------------------

Mounting to the switch mechanism

Change over contacts

Auxiliary/test contacts. Max. two change over contacts.

See function chart below	OA4B1C	1SCA022193R0150	0.03
--------------------------	--------	-----------------	------

Single pole contacts

> 3 mm contact gap.

1 NO	OA4B10	1SCA022276R9050	0.03
1 NC	OA4B01	1SCA022276R9210	0.03

Mounting on the side of the switch

Mounting on the side of the switch with aux.contact frame OESAZX 169

1NO	MCB-10	1SCA022150R5110	0.03
1NC	MCB-01	1SCA022150R5370	0.03

Snap-on mounting on the switch, by using a frame OSZ4, IP20

NO contacts are provided with a positive opening feature.

Types _AU have gold plated contacts for harsh environments and low operating voltages.

1 NO	OA1G10	1SCA022353R4970	0.03
1 NC	OA3G01	1SCA022456R7410	0.03
1 NO	OA1G10AU	1SCA022436R7910	0.03
1 NC	OA3G01AU	1SCA022819R5260	0.03

Mounting frames for auxiliary contacts of OS20F...40F_ (OS Mini)

Description	Amount of auxiliary contacts [pcs]	Type	Order number	Weight/unit [kg]
Frame for auxiliary contacts OA1G10 and OA3G01 and for fuse monitor				
Mounting on the left side of the switch	max. 6	OSZ4	1SCA022530R0200	0.06

Function chart, change over contacts OA4B1C / OS Mini

Handle position	Main contacts	Aux./Test contacts N.O.
Test	open	closed
0	open	open
I	closed	closed

Accessories for manual operated switch fuses 32...1250 A

Ordering information for auxiliary contacts



OA3G01



OA3G01AU

Auxiliary contact blocks for OS/OSM32G...1250

Types _AU have gold plated contacts for harsh environments and low operating voltages.

Suitable for switches	Description	Protection degree	Type	Order number	Weight/unit [kg]
OS/OSM32G...1250	1NO	IP20	OA1G10	1SCA022353R4970	0.03
OS/OSM32G...1250	1NC	IP20	OA3G01	1SCA022456R7410	0.03
OS/OSM32G...1250	1NO	IP20	OA1G10AU	1SCA022436R7910	0.03
OS/OSM32G...1250	1NC	IP20	OA3G01AU	1SCA022819R5260	0.03

Mounting under the mechanism cover

The “test” contacts operate in ON- and OFF-positions as well as when the handle is turned to TEST-position = 45 degrees over the OFF-position. The “test indication” contacts operate only when the handle is turned to TEST-position. See the function table below. The OA1G10 (N.O.) or OA3G01 (N.C.) auxiliary contact blocks can be used as standard auxiliary contacts, “test” or “test indication” contacts. The desired functions are achieved when an auxiliary contact block is installed in a specific place shown in the mounting instruction. In order to activate the “test” and “test indication” features, a handle with test function is required. See the optional handles, pages 71-74.

Function table of OS/OSM32G...1250 auxiliary contacts

Handle position	Main contacts	Aux./Test contacts N.O.	Test indication contacts N.O
Test	open	closed	closed
0	open	open	open
I	closed	closed	open

Maximum number of contact blocks, “Aux./test” contacts and “test indication” contacts, see the table below.

Standard versions include all except for N3-types, which are equipped with integrated neutral through the mechanism.

Maximum number of auxiliary contacts under the mechanism cover

	OS/OSM32G...250		OS/OSM315...800		OS/OSM1200...1250	
	Standard	N3	Standard	N3	Standard	N3
Maximum number of contact blocks	4	0	8	4	12	8
Aux./Test contacts	4	0	4	2	8 ¹⁾	6 ²⁾
Test indication contacts	2	0	4	2	4	2

For contact timing, see page 81.

¹⁾ 6 aux./test contacts and 2 early operation aux./test contacts.

²⁾ 4 aux./test contacts and 2 early operation aux./test contacts.

Mounting on the left side of the OS switch fuse:

Maximum 8 auxiliary contact blocks (N.O. or N.C.) with the OEA28 module. Side operated types: OS_S30..._S40 types only.

Mounting on the right side of the OSM motorized switch fuse:

Maximum 4 auxiliary contact blocks (N.O. or N.C.), snap-on mounting

Mounting plate for auxiliary contacts

Mount on the switch mechanism, max. 3 auxiliary contacts.

Suitable for switches	Type	Order number
R: Mounting on the right side of the switch L: mounting on the left side of the switch		
OS100G...200G_	OEA30R	1SCA131817R1001
OS100G...200G_	OEA30L	1SCA131816R1001

Accessories for manual operated switch fuses 32...1250 A

Technical information for auxiliary contacts



OEA28

Module for auxiliary contacts for OS32...1250

Description	Type	Order number	Weight/unit [kg]
Screw mounting to the left side of the switch	OEA28	1SCA022714R8810	0,04

Performance data for auxiliary contacts according to IEC 60947-5-1

OA1G_ , OA3G_	
U _i /[V]	690
U _{imp} /[kV]	4
Pollution degree	3
I _{th} /[A]	16
Cable size	1...2 x 0,75...2.5m ²
Maximum fuse	16 A/gG
NEMA	A600,R300
Wire size	18 - 14AWG, 1 (2)

OA1G_ , OA3G_						
AC15		DC12			DC13	
U _e /[V]	I _e /[A]	U _e /[V]	I _e /[A]	P/[W]	I _e /[A]	P/[W]
230	6	24	10	240	2	48
400	4	72	4	288	0.8	58
690	2	125	2	250	0.55	69
		250	0.55	138	0.27	68
		440	0.1	44		

OA4_	
EN61058-1	
U _i /[V]	400
I _{th} /[A]	10
I _g	400V AC
	10 (4) A, 10E3
	6 (2,5) A, 50E3
NEMA	10 A, 125-250V AC, 1/4 HP
M3 Screw connection	

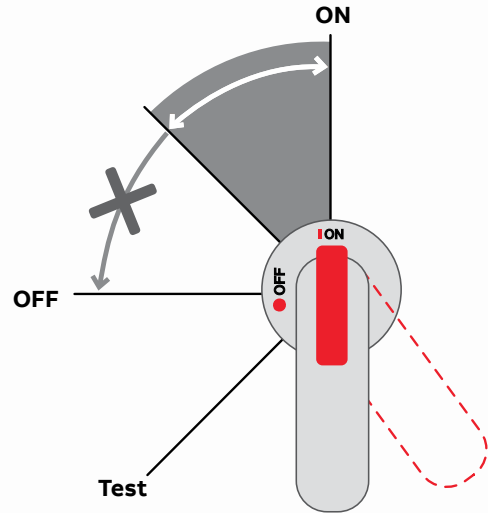
MCB_				
IEC60947-5-1				
U _i /[V]	690			
I _{th} /[A]	10			
		AC12	AC15	DC13
I _e /[A]	24V	10	8	5
	110V	10	8	11
	220/240V	10	6	0,55
	250V		4	0,55
	380/415V		4	
	660/690V		2	
NEMA	A600, 10A, 600VAC			

Accessories for switch fuses OS Mini 20..40A

Technical information for auxiliary contacts

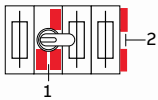
Handle indications and functions

- The handle indicates the position of the contacts with complete reliability in all situations. If the contacts are welded together, the handle doesn't reach the OFF-position but remains between ON and OFF, maintaining the door interlock and padlocking is not possible to do.
- When operating the switch fuse to the Test-position with a test handle the test auxiliary contacts change position. The main contacts remain open.

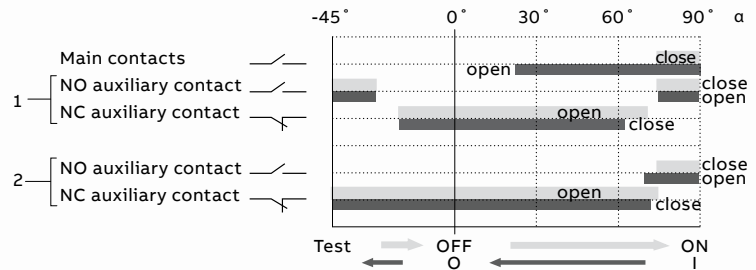


ON and OFF-functions of main and auxiliary contacts

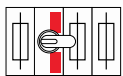
Example



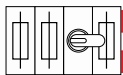
Places of auxiliary contacts and Test ind.



OS Mini

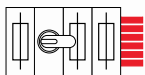
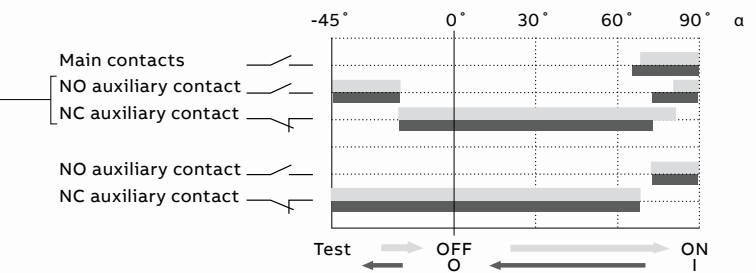


OA4B1C, 1 NO-NC

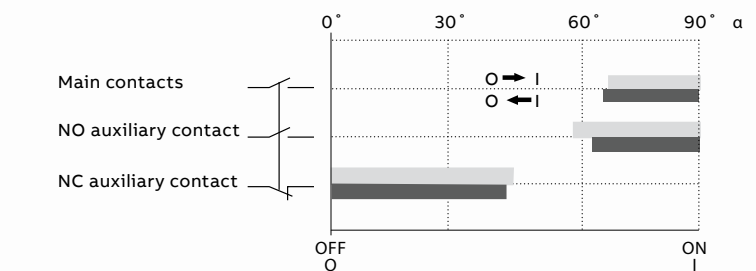


OA1G10, 1NO
OA3G01, 1NC

Change over contacts



MCB-10 + OESAZX169, 1NO
MCB-01 + OESAZX169, 1NC

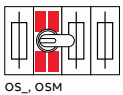


Accessories for manual operated switch fuses 32...1250 A

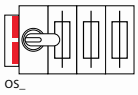
Technical information for auxiliary contacts

ON- and OFF-functions of main and auxiliary contacts

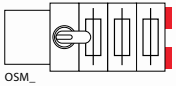
OS/OSM32G...1250



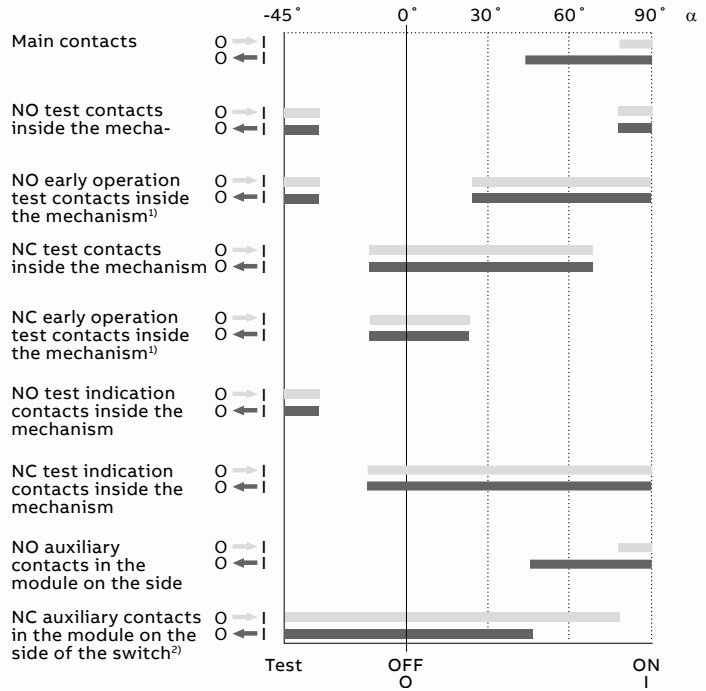
OA1G10, 1NO
OA3G01, 1NC



OA1G10, 1NO
OA3G01, 1NC
+ OEA28



OA1G10, 1NO
OA3G01, 1NC



¹⁾ OS/OSM1200...1250 only

²⁾ Also OSM32G...1250 mounted on the right side of the switch

Accessories for manual operated switch fuses 32...1250 A

Ordering information for fourth poles



OSP200-400D



OSP160GN



OSP250N



OSP800N

Fourth poles

Snap-on mounting to the side of the switch (not suitable for motorized OSM-types).

Suitable for 3-pole switches	Mounting side	Type	Order number	Weight/unit [kg]
Fusible 4. poles				
OS100GB...160GB	Left/right	OSP160GB	1SCA114769R1001	0.45
OS125GD...160GD	Left/right	OSP160GD	1SCA114768R1001	0.45
OS200B	Left/right	OSP200B	1SCA022735R9180	1.20
OS200D	Left/right	OSP200D	1SCA022735R8960	1.20
OS250B	Left/right	OSP250B	1SCA022770R4030	1.20
OS250D	Left/right	OSP250D	1SCA022735R9340	1.20
OS315B...400B	Left/right	OSP400B	1SCA022770R3140	2.00
OS400D	Left/right	OSP400D	1SCA022770R3220	2.00
OS630...800D	Left/right	OSP800D	1SCA100433R1001	4.20
OS630...800B	Left/right	OSP800B	1SCA100434R1001	4.20
OS1250D	Left/right	OSP1250D	1SCA107946R1001	7.20
OS1250DA	Left/right	OSP1250DA	1SCA112402R1001	7.20
OS1250B	Left/right	OSP1250B	1SCA107950R1001	7.20
Switched 4. poles				
OS100G...160G	Left/right	OSP160GN	1SCA114770R1001	0.45
OS200_	Left/right	OSP200N	1SCA022735R8700	1.20
OS250_	Left/right	OSP250N	1SCA022735R9260	1.20
OS400_	Left/right	OSP400N	1SCA022770R3490	1.20
OS630...800	Left/right	OSP800N	1SCA100432R1001	4.40
OS1200...1250	Left/right	OSP1250N	1SCA107943R1001	7.20

Accessories for manual and motorized switch fuses 32...1250 A

Ordering information for neutral links



OSZ1



OXN250



OXN400

Neutral links

For OS/OSM 32G...160G

Detachable, mounting onto the base plate or DIN-rail.

Max. wire	H/W/D [mm]	Mounting holes	Type	Order number	Weight/unit [kg]
16 mm ² Cu	39/41/40	ø 4.2, distance 32	OSZ1	1SCA022481R3710	0.06
35 mm ² Cu	39/44/45	ø 4.2, distance 35	OSZ2	1SCA022481R3800	0.07

For OS/OSM 100G...1250

Mounting with screws (included) onto either side of the switch (OXN250 to OS200...250) or on the base plate (OXN250...1250) according the table below.

Suitable for switches	Type	Order number	Weight/unit [kg]
Detachable, mounting on the switch			
OS200...250	OXN250	1SCA022752R9950	0.40
Detachable, mounting on the base plate			
OS/OSM32G...250	OXN250	1SCA022752R9950	0.40
OS/OSM315...400	OXN400	1SCA022770R3060	0.70
OS/OSM630...800	OXN800S	1SCA022831R4880	1.20
OS/OSM1250	OXN1250S	1SCA104163R1001	2.50



OXN800S

Accessories for manual and motorized switch fuses 32...1250 A

Ordering information for handle and spare fuse storage clip



OTVS1



OTVS2



PB200 high

Solid links

Suitable for switches	Type	Order number	Weight/unit [kg]
OS32GD...OS160GD	OFAW00	1SCA022003R9680	0.08
OS200...250B, J	OEZNL1	1SCA022723R7400	0.19
OS600J, 800...1200L	OEZNL8	1SCA113998R1001	0.58
OS1250B	OEZNL10	1SCA116437R1001	0.60
OS250 D	OFAW1	1SCA022003R9760	0.15
OS400 D	OFAW2	1SCA022003R9840	0.24
OS630/800 D	OFAW3	1SCA022003R9920	0.28
OS1250 D	OFAW4	1SCA022842R5440	0.665
OS1250 D	OFAW4a	1SCA148430R1001	0.665

Handle and spare fuse storage clip for OSM

Handle and two spare fuses (for motor operator) can be stored on the OTVS_. OTVS_ can be installed on the left side of the motorized switch-fuse OSM_. Snap-on mounting, no tools required. On OSM1250, the size of the handle prevents the installation onto the switch frame. However, the handle clip can be separately installed on the panel frame and the fuse holder clip onto the switch frame.

Suitable for switches	Type	Order number	Weight/unit [kg]
OSM32G...250	OTVS1	1SCA111413R1001	0.02
OSM315...1250	OTVS2	1SCA111414R1001	0.04

Phase barriers

The phase barriers designed for ABB Tmax T4-T5 MCCB's can also be used for OS200...400 switch fuses. 3-pole switch fuses need 4 barriers and 4-pole switch fuses need 6 barriers for full protection. Cutting width of the phase barrier 55mm.

Suitable for switches	No. of poles	Height h[mm]	Type	Order number	Units/type [pcs]
OS100G...OS200G	3	-	OSB160/4	1SCA131820R1001	4
OS100G...OS200G	3	-	OSB160/6	1SCA131821R1001	6
OS250	3	-	OSB250/4	1SCA131822R1001	4
OS250	4	-	OSB250/6	1SCA131823R1001	6
OS315, OS400	3	200	PB200 high	1SDA054972R1	4
OS315, OS400	4	200	PB200 high	1SDA054973R1	6

Accessories for manual and motorized switch fuses 32...1250 A

Ordering information for terminal shrouds



OSS200G1L



OSS200G1S



OSS250G1L



OSS800G1L



OSS800G1S



OSS250G1SH

Terminal shrouds

Suitable for switches	Description	Type	Order number	Units/type [pcs]	Weight/unit [kg]
Pack of single pole terminal shrouds					
Snap-on mounting, grey plastic, IP 3X from front. Transparent shrouds available on request.					
OS/OSM100G...160G	Long type	OSS160GG1L/3	1SCA114764R1001	3	0.08
OS/OSM100G...160G	Short type	OSS160GG1S/3	1SCA114766R1001	3	0.05
OS/OSM100G...160G	Long type	OSS160GG1L/4	1SCA114765R1001	4	0.11
OS/OSM100G...160G	Short type	OSS160GG1S/4	1SCA114767R1001	4	0.07
OS/OSM200	Long type	OSS200G1L/3	1SCA022731R8910	3	0.09
OS/OSM200	Short type	OSS200G1S/3	1SCA022732R0130	3	0.06
OS/OSM200	Long type	OSS200G1L/4	1SCA022731R9040	4	0.12
OS/OSM200	Short type	OSS200G1S/4	1SCA022732R0050	4	0.08
OS/OSM250	Long type	OSS250G1L/3	1SCA022731R9390	3	0.09
OS/OSM250	Short type	OSS250G1S/3	1SCA022731R9550	3	0.06
OS/OSM250	Long type	OSS250G1L/4	1SCA022731R9470	4	0.12
OS/OSM250	Short type	OSS250G1S/4	1SCA022731R9630	4	0.08
OS/OSM315...400	Long type	OSS400G1L/3	1SCA022776R6650	3	0.18
OS/OSM315...400	Short type	OSS400G1S/3	1SCA022776R6900	3	0.10
OS/OSM315...400	Long type	OSS400G1L/4	1SCA022776R6730	4	0.25
OS/OSM315...400	Short type	OSS400G1S/4	1SCA022776R7030	4	0.15
OS/OSM600...800	Long type	OSS800G1L/3	1SCA022776R7200	3	0.53
OS/OSM600...800	Short type	OSS800G1S/3	1SCA022776R7540	3	0.21
OS/OSM600...800	Long type	OSS800G1L/4	1SCA022776R7380	4	0.70
OS/OSM600...800	Short type	OSS800G1S/4	1SCA022776R7460	4	0.28
OS1200...1250/ OSM1250	Long type	OSS1250G1L/3	1SCA107938R1001	3	0.76
OS1200...1250/ OSM1250	Short type	OSS1250G1S/3	1SCA107939R1001	3	0.40
OS1200...1250/ OSM1250	Long type	OSS1250G1L/4	1SCA107940R1001	4	1.00
OS1200...1250/ OSM1250	Short type	OSS1250G1S/4	1SCA107941R1001	4	0.52
Terminal shrouds suitable for mechanisms with detachable integrated neutral (N3 versions)					
OS/OSM100G...250_N3_	Long type	OTS250G1L	1SCA022715R5340	1	0.03
OS/OSM100G...250_N3_	Short type	OTS250G1S	1SCA022715R5260	1	0.02
OS/OSM315...400_N3_	Long type	OSS250G1L	1SCA022727R5080	1	0.03
OS/OSM315...400_N3_	Short type	OSS250G1S	1SCA022727R4940	1	0.02
OS/OSM630...800_N3_	Long type	OTS800G1L	1SCA022776R7710	1	0.10
OS/OSM630...800_N3_	Short type	OTS800G1S	1SCA022776R8010	1	0.06
OS1200...1250/OSM1250_N3_	Long type	OTS1600G1L	1SCA106134R1001	1	0.20
OS1200...1250/OSM1250_N3_	Short type	OTS1600G1S	1SCA102667R1001	1	0.12
Single pole terminal shroud for the fourth pole side terminals (LR-types)					
IP20, snap-on mounting, grey plastic.					
OS250_LR	Short type	OSS250G1SH/1	1SCA103500R1001	1	0.003
OS400_LR	Short type	OSS400G1SH/1	1SCA103503R1001	1	0.003

Please consult us when using OS600J...OS800L with OZXA-800 lugs.

Accessories for manual and motorized switch fuses 32...1250 A

Ordering information for terminal shrouds



OSS160GG3LS



OSS400G3LS



OEZXU14

Terminal shrouds:

Three and four pole terminal shrouds for side terminals (LR types)

IP20. Snap-on mounting, grey plastic.

Suitable for switches	No. of poles	Remarks	Type	Order number	Units/ type [pcs]	Weight/ unit [kg]
OS100G...160G_LR	3	Long type	OSS160GG3LS	1SCA121570R1001	1	0.01
OS100G...160G_LR	4	Long type	OSS160GG4LS	1SCA121571R1001	1	0.01
OS200...400_	3	Short type	OSS400G3SS	1SCA100390R1001	1	0.01
OS200...400_	3	Long type	OSS400G3LS	1SCA100396R1001	1	0.01
OS200...400_	4	Left side, short	OSS400G4SSL	1SCA100392R1001	1	0.01
OS200...400_	4	Left side, long	OSS400G4LSL	1SCA100398R1001	1	0.01
OS200...400_	4	Right side, short	OSS400G4SSR	1SCA100394R1001	1	0.01
OS200...400_	4	Right side, long	OSS400G4LSR	1SCA100400R1001	1	0.01

Single pole shroud for terminal clamps

Snap-on mounting, transparent plastic, IP 2X.

Suitable for clamps	Type	Order number	Units/ type [pcs]	Weight/ unit [kg]
OZXB2, 2L	OZXB2K	1SCA022264R0010	3	0.06
OZXB3, 4	OZXB3K	1SCA022264R0440	3	0.18
OZXB5, 6	OZXB4K	1SCA022199R2850	3	0.24
OZXB7, 7L	OZXB5K	1SCA022283R8040	3	0.15

Terminal angle for side terminals (LR types)

Terminal angle extension bar for cable connections in upper or lower position. Including terminal bolts M10x30.

Suitable for switches	Type	Order number	Units/ type [pcs]	Weight/ unit [kg]
OS100G...160G_LR, 3-pole	OEZXU68/3	1SCA121380R1001	3	
OS100G...160G_LR, 4-pole	OEZXU68/4	1SCA121379R1001	4	
OS200...400_LR	OEZXU14/3	1SCA100361R1001	3	0.24
OS200...400_LR	OEZXU14/4	1SCA101082R1001	4	0.32

Accessories for manual and motorized switch fuses 32...1250 A

Ordering information for terminal clamp sets



OZXT1



OZXB8



OZXB2L



OZXB17

Terminal clamp sets

Suitable for switches	Cable cross section [mm ²]	Type	Order number	Units/ type [pcs]	Weight/ unit [kg]
Insulated versions					
OS/OSM32G...63G	16...50 Al, 2.5...50 Cu	OZXT1	1SCA022469R6310	3	0.05

OZXB-type Al/Cu connectors made of stainless steel

Suitable for switches	Cable cross section [mm ²]	Suitable shroud	Type	Order number	Units/ type [pcs]	Weight/ unit [kg]
OS/OSM100G...160G ¹⁾	10...70	OSS160G_	OZXB1L	1SCA022169R2030	3	0.15
OS/OSM100G...160G ¹⁾	95...185	OSS160G_	OZXB8	1SCA022744R1510	3	0.50
OS/OSM200	10...70	OSS200_L	OZXB1L	1SCA022169R2030	3	0.15
OS/OSM200	25...120	OZXB2K	OZXB2	1SCA022119R7610	3	0.34
OS/OSM200 ²⁾	25...120	OZXB2K	OZXB2L	1SCA022158R7750	3	0.42
OS/OSM200	95...185	OSS200_L	OZXB8	1SCA022744R1510	3	0.50
OS200	95...240	OSS200_L	OZXB9	1SCA022750R3210	3	0.50
OSM250	10...70	OSS200_L	OZXB1L	1SCA022169R2030	3	0.15
OS/OSM250 ²⁾	25...120	OZXB2K	OZXB2L	1SCA022158R7750	3	0.42
OS/OSM250 ²⁾	95...185	OZXB3K	OZXB3	1SCA022136R8100	3	1.30
OS/OSM250 ²⁾	2x(95...185)	OZXB3K	OZXB4	1SCA022137R4760	3	1.70
OS/OSM250 ²⁾	120...300	OZXB4K	OZXB5	1SCA022137R2470	3	2.30
OS/OSM250 ²⁾	120...240	OZXB5K	OZXB7L	1SCA022185R7130	3	1.20
OS/OSM250 ²⁾	95...185	OSS250_L	OZXB8	1SCA022744R1510	3	0.50
OS250 ²⁾	95...240	OSS250_L	OZXB9	1SCA022750R3210	3	0.50
OS200...400_LR_	95...240	OSS400G4LSL	OZXB17	1SCA022859R3230	3	0.53

¹⁾ Suitable for OS125G...160G_LR-types only with terminal angle OZEXU68.

²⁾ Suitable for OS250_BB-types, OS200B_LR, for OS250_LR types suitable only with terminal angle OZEXU14.

Accessories for manual and motorized switch fuses 32...1250 A

Ordering information for terminal clamp sets



OZXB2L



OZXB8

Terminal clamp sets

Suitable for switches	Cable cross section [mm ²]		Type	Order number	Units/type [pcs]	Weight/unit [kg]
OZXB-type Al/Cu connectors made of stainless steel						
OS/OSM315...400 ¹⁾	25...120	OSS400_L	OZXB2L	1SCA022158R7750	3	0.42
OS/OSM315...400 ¹⁾	95...185	OZXB3K	OZXB3	1SCA022136R8100	3	1.30
OS/OSM315...400 ¹⁾	2x(95...185)	OZXB3K	OZXB4	1SCA022137R4760	3	1.70
OS315...400 ¹⁾	120...300	OZXB4K	OZXB5	1SCA022137R2470	3	2.30
OS315...400 ¹⁾	2x(120...300)	OZXB4K	OZXB6	1SCA022137R4920	3	3.03
OS/OSM315...400 ¹⁾	120...240	OZXB5K	OZXB7	1SCA022185R0040	3	1.00
OS/OSM315...400 ¹⁾	95...185	OSS400_L	OZXB8	1SCCA022744R1510	3	0.50
OS/OSM315...400 ¹⁾	95...240	OSS400_L	OZXB9	1SCA022750R3210	3	0.50
OS/OSM630...800	95...185	OSS800_L	OZXB3	1SCA022136R8100	3	1.30
OS/OSM630...800	2x(95...185)	OSS800_L	OZXB4	1SCA022137R2470	3	1.70
OS/OSM630...800	120...300	OSS800_L	OZXB5	1SCA022137R2470	3	2.30
OS/OSM630...800	2x(120...300)	OSS800_L	OZXB6	1SCA022137R4920	3	3.03
OS/OSM630...800	120...240	OSS800_L	OZXB7L	1SCA022185R7130	3	1.20
OS/OSM630...800	95...185	OSS800_L	OZXB8	1SCA022744R1510	3	0.50
OS/OSM630...800	95...240	OSS800_L	OZXB9	1SCA022750R3210	3	0.50

¹⁾ Suitable for OS315...400_BB_-types, for OS315...400_LR_-types suitable only with terminal angle OEZXU14.

Accessories for manual and motorized switch fuses 32...1250 A

Ordering information for terminal clamp sets



OZXB8



OZXR95



OZXR185



OZXR240



OZXR300

Terminal clamp sets

Suitable for switches	Cable cross section [mm ²]	Suitable shroud	Type	Order number	Units/type [pcs]	Weight/unit [kg]
OZXR type Al/Cu connectors made of stainless steel						
OS/OSM1250	95...185	OTS1600_L	OZXB3	1SCA022136R8100	3	1.30
OS/OSM1250	2x(95...185)	OTS1600_L	OZXB4	1SCA022137R4760	3	1.70
OS/OSM1250	120...300	OTS1600_L	OZXB5	1SCA022137R2470	3	2.03
OS/OSM1250	2x(120...300)	OTS1600_L	OZXB6	1SCA022137R4920	3	3.03
OS/OSM1250	210...240	OTS1600_L	OZXB7L	1SCA022185R7130	3	1.20
OS/OSM1250	95...185	OTS1600_L	OZXB8	1SCA022744R1510	3	0.50
OS/OSM1250	95...240	OTS1600_L	OZXB9	1SCA022750R3210	3	0.50
OZXR type Al/Cu connectors made of stainless steel and copper²⁾						
OS100G...160G ¹⁾	6...70	OSS160G_L	OZXR70	1SCA115529R1001	3	0.15
OS100G...160G ¹⁾	25...95	OSS160G_L	OZXR95	1SCA115530R1001	3	0.21
OS200	25...95	OSS200_L	OZXR95	1SCA115530R1001	3	0.21
OS200	95...185	OSS200_L	OZXR185	1SCA115531R1001	3	0.45
OS200	2x(95...185)	-	OZXR2X185	1SCA115534R1001	3	0.66
OS250	95...185	OSS250_L	OZXR185	1SCA115531R1001	3	0.45
OS250	2x(95...185)	-	OZXR2X185	1SCA115534R1001	3	0.66
OS315...400	95...240	OSS400_L	OZXR240	1SCA115532R1001	3	0.42
OS315...400	2x(95...185)	-	OZXR2X185	1SCA115534R1001	3	0.66
OS315...400	185...300	-	OZXR300	1SCA115533R1001	3	0.87
OS630...800	2x(185...300)	OSS800_L	OZXR2X300	1SCA115535R1001	3	1.59
OZXP type Al/Cu connectors made of tin plated aluminium profile²⁾						
OS100G...160G ¹⁾	6...95	OSS160G_L	OZXP95	1SCA115539R1001	3	0.09
OS200	6...95	OSS200_L	OZXP95	1SCA115539R1001	3	0.09
OS200	16...120	OSS200_L	OZXP120	1SCA115540R1001	3	0.15
OS200	25...150	-	OZXP150	1SCA115541R1001	3	0.18
OS200	35...240	-	OZXP240	1SCA115542R1001	3	0.27
OS250	35...240	-	OZXP240	1SCA115542R1001	3	0.27
OS315...400	35...240	-	OZXP240	1SCA115542R1001	3	0.27
OS315...400	95...300	-	OZXP300	1SCA115543R1001	3	0.42
OS315...400	2x(70...240)	-	OZXP2X240	1SCA115544R101	3	1.38
OS630...800	2x(70...240)	OSS800_L	OZXP2X240	1SCA115544R1001	3	1.38

¹⁾ For _LR-types, suitable only with terminal angle OEZXU68.

²⁾ Suitable also for OS200...400_BB_ for OS200...400_LR_-types suitable only with terminal angle OEZXU14.

Accessories for manual operated switch fuses 32...1250 A

Ordering information for terminal lugs



OZXA200



OZXA400



OZXA800



OZXA1200

Terminal lug kits fro Al- and Cu-cables for UL/CSA disconnect switches

One kit includes 6 pcs.

Suitable for switches	Cable size	Type	Tightening torque [lb.in/Nm]	Weight/unit [kg]	Weight/unit [lb]
OS100	AWG14-2/0	OZXA-24	120/13.6	0.21	0.45
OS200	AWG 4-300MCM	OZXA-200	275/31.1	0.04	0.09
OS400	AWG2-600MCM	OZXA-400	375/42.4	0.05	0.12
OS600...800	2 X AWG 2-600MCM	OZXA-800	500/56.5	0.21	0.45
OS1200	4 X AWG 2-600MCM	OZXA-1200	500/56.5	0.45	0.98

For ordering please consult us.

Technical data for terminal lugs

Description

UL approval file	E60207
Temperature rating, °C	75
Wire tightening Type of tool	Allen (Hex) wrench
Lug mounting	Bolt & nut mounting
AWG (American Wire Gauge) wire class	B.C

Accessories for manual operated switch fuses 32...1250 A

Ordering information for conversion kits



OESAZW2

Conversion kits for front operated combination switches

Suitable for switches	Switches needed [pcs]	Shaft distance [mm]	Type	Order number	Units/type [pcs]	Weight/unit [kg]
-----------------------	-----------------------	---------------------	------	--------------	------------------	------------------

6 and 8-pole switch mechanism

Parallel attachment for connecting 3- and 4-pole switches. The switches work simultaneously.

6 and 8-pole switches, OS32G...400

The attachment levers are provided with holes, enabling different shaft distances. The combination switches can be mounted either horizontally or vertically.

OS32G...250	Two 3- or 4-pole	45+(0-13)x15	OESAZW2	1SCA022078R1600	1	0.37
OS315...400	Two 3- or 4-pole	60+(0-19)x20	OETLZW9	1SCA022061R3300	1	1.1



OTZW25

Change-over switch mechanism

Two switches connected with a mechanism operating into I-O-II positions.

OS32G...250	Two 3- or 4-pole	210+(0 - 18)x20	OTZW25	1SCA022778R6920	1	2.8
OS315...400	Two 3- or 4-pole	210+(0 - 11)x20	OETLZW11	1SCA022078R0030	1	3.0
OS315...800	Two 3- or 4-pole	210+(0 - 20)x20	OETLZW12	1SCA022078R0200	1	4.6



OTZW26

Bypass switch mechanism

A combination of two switches in parallel with a third switch for change-over operation to bypass, for example, a breaker for maintenance. The bypass attachment can be used together with another combination attachment.

OS32G...250	Three 3- or 4-pole		OTZW26	1SCA022778R7060	1	3.3
	Between 1 and 2:	210+(0 - 9)x20				
	Between 1 and 3:	250+(0 - 9)x20				
OS315...800	Three 3- or 4-pole		OETLZW13	1SCA022078R0460	1	4.0
	Between 1 and 2:	210+(0 - 18)x20				
	Between 1 and 3:	250+(0 - 18)x20				



OETLZW14

Mechanical interlock mechanism

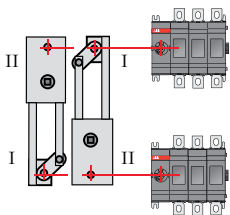
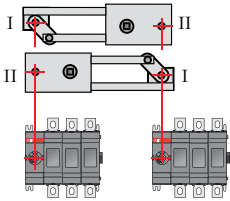
Prevents one switch from closing to ON -position, if the other is not in OFF - position.

OTZW/OETLZW-types: When mounted upside down, prevents one switch from opening to OFF-position, if the other is not in the ON-position. (UPS-usage, make-before-break)

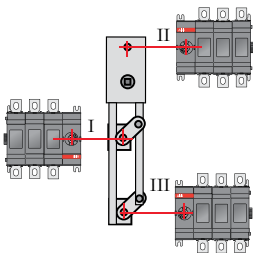
OS32G...250	Two 3- or 4-pole	190	OTZW10	1SCA022431R5280	1	0.40
OS315...800	Two 3- or 4-pole	250	OETLZW14	1SCA022077R3410	1	0.70
OS315...800	Two 3- or 4-pole	300	OETLZW3	1SCA022049R0380	1	0.80
OS315...1250	Two 3- or 4-pole	500	OETLZW15	1SCA022081R9340	1	1.24

Accessories for manual operated switch fuses 32...1250 A

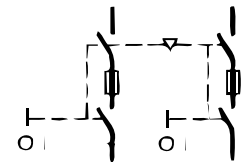
Ordering information for conversion kits



Change-over switches



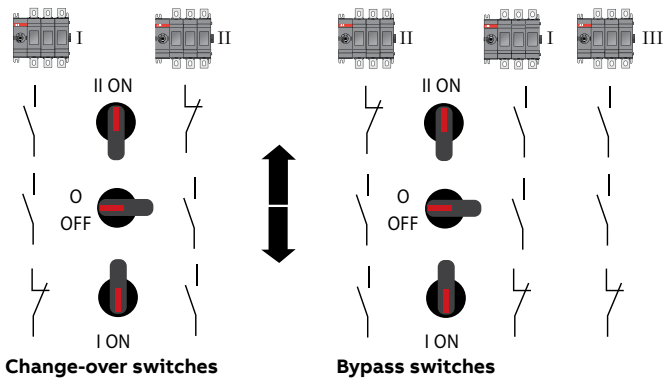
Change-over and bypass switches



Mechanical interlock

Shafts and handles for conversion kits

Conversion kit type	Shaft	To be ordered separately		Included in the conversion kit delivery	The standard handle or shaft of one of the combined switches can be used	
		Handle	Shaft		Shaft	Handle
6 and 8-pole switches						
OESAZW2	-	-	x (2 pcs)	OHB145J12	-	-
OETLZW9	-	-	-	-	x	x
Change-over switches						
OTZW25	-	-	x (2 pcs)	OHB95J12E011	-	-
OETLZW11	-	-	x (2 pcs)	OHB145J12E011	-	-
OETLZW12	-	-	x (2 pcs)	YASDA21	-	-
Bypass switches						
OTZW26	-	-	x (3 pcs)	OHB95J12E011	-	-
OETLZW13	-	-	x (3 pcs)	YASDA 6	-	-
Mechanical interlock						
OTZW10	-	-	-	-	x	x
OETLZW14	-	-	-	-	x	x
OETLZW3	-	-	-	-	x	x
OETLZW15	-	-	-	-	x	x



Accessories for manual and motorized switch fuses 32...1250 A

Ordering information for electronic fuse monitor



OFM260



OFS260



OFD500EA



OFMZ2



OSZ4

Electronic fuse monitor

Includes the auxiliary contacts 1NO + 1NC. More information, see brochure OFM_OFS20GB.

OS Mini

Mounting onto the left side of OS Mini (with a frame OSZ4) or on mounting plate.

Rated voltage [V]	Type	Order number	Weight/ unit [kg]
120...240/AC	OFM240	1SCA022579R1340	0.2
120...260/AC	OFM260	1SCA022459R8560	0.14
380...600/AC	OFM600	1SCA022579R1260	0.2
380...690/AC	OFM690	1SCA022459R8480	0.14

OS/OSM32G...1250

Mounting onto the left side of OS32G-1250 switch fuse (right side of OSM motorized switch fuses) or on DIN-rail or on mounting plate.

Rated voltage [V]	Type	Order number	Weight/ unit [kg]
100...260/AC	OFS260	1SCA022716R0180	0.16
380...690/AC	OFS690	1SCA022715R9920	0.16
45...140/DC	OFD110EA	1SCA121775R1001	0.155
135...550/DC	OFD500EA	1SCA121776R1001	0.155

Mounting accessories for fuse monitor

Suitable for switches	Flat terminal size [mm]	Type	Order number	Units/ type [pcs]	Weight/ unit [kg]
Crimp terminals					
OS_	2.8 - 0.8	OFMZ2	1SCA022475R9910	6	0.01
Mounting frame for OS Mini					
Mounting on the left side of the switch		OSZ4	1SCA022530R0200	1	0.60

Accessories for manual and motorized switch fuses 32...1250 A

Ordering information for blown fuse indicators



OSD25P3

Blown fuse indicators (DPMM)

Striker type fuse is needed. See the dimensions in IEC60269-2-1, Section 1A.

Suitable for switches	Type	Order number	Weight/unit [kg]
-----------------------	------	--------------	------------------

OS Mini

Auxiliary contact (1x C/O) included. See the ratings on page 78, type OA4

for 3-pole switches	OSD25P3	1SCA022192R9060	0.10
for 4-pole switches, fused neutral	OSD25P4	1SCA022196R9520	0.10



OSGD50P4

OS/OSM50GF_

Auxiliary contacts (3 x C/O in 3-pole, 4 x C/O in 4-pole) included. Ratings: Ith: 5A, AC15: 0.15A/250VAC. NEMA 5A, 125-250 VAC, 1/10 HP

for 3-pole switches	OSGD50P3	1SCA116401R1001	0.015
for 4-pole switches, fused neutral	OSGD50P4	1SCA115689R1001	0.020



OSGD125P3

OS/OSM125GF_

Auxiliary contacts (3 x C/O in 3-pole, 4 x C/O in 4-pole) included. Ratings: Ith: 5A, AC15: 0.15A/250VAC. NEMA 5A, 125-250 VAC, 1/10 HP

for 3-pole switches	OSGD125P3	1SCA115690R1001	0.025
for 4-pole switches, fused neutral	OSGD125P4	1SCA115692R1001	0.035



OSZX3

OS/OSM250D...800D

Auxiliary contacts (3xNO + 3xNC in 3-pole and 4xNO + 4xNC in 4-pole) included. See the ratings on page 78, type OA1G_, OA3G_

for 3-pole switches	OSZX3	1SCA101224R1001	0.15
for 4-pole switches, fused neutral	OSZX4	1SCA101225R1001	0.20

Accessories for manual operated switch fuses 32...1250 A

Ordering information for cam attachment and interlocks



OSZT1A



OSZT2A

Mechanism interlock kits and Electrical interlocks

OS32G...1250 switch fuses can be interlocked in the OFF position using padlocks and by using a mechanical interlock kit mounted on the mechanism. The diameter of the lock bail can be max 8 mm.

Note: The shaft must go through the interlock into the switch mechanism.

Suitable for switches	Type	Order number	Weight/unit [kg]
Interlocking in the OFF position			
OS32G...160G	OTZT1A	1SCA106522R1001	0.21
OS200 ... 250_	OSZT1A	1SCA106532R1001	0.32
OS315 ... 400_	OSZT2A	1SCA106534R1001	0.75
OS600 ...800_	OSZT3A	1SCA106535R1001	1.20
OS1200 ... 1250_	OSZT4A	1SCA106536R1001	2.00
Interlocking in the OFF & ON positions			
OS32G...160G	OTZT1L	1SCA106527R1001	0.21
OS200 ... 250_	OSZT1L	1SCA106538R1001	0.32
OS315 ... 400_	OSZT2L	1SCA106539R1001	0.75
OS600 ...800_	OSZT3L	1SCA106540R1001	1.20
OS1200 ... 1250_	OSZT4L	1SCA106541R1001	2.00

Accessories for manual operated switch fuses 32...1250 A

Ordering information for coils and mounting accessories



PDAL2-230AC50Hz



OSGZD1

Coils

By installing a coil inside the housing of the interlock kit the switch can be interlocked electrically in the OFF position or both in the OFF and ON positions. The electrical interlock works using the “closed circuit principle”, meaning that when the control voltage is not connected to the coil, the switches provided with A-type interlocks cannot be turned to the ON position and switches with L-type interlocks cannot be turned to the ON or OFF positions.

Suitable for switches	Type	Order number	Weight/ unit [kg]
AC coils			
24 VAC, 60 Hz	PDAL2/24AC60Hz	1SCA111350R1001	0.15
110 VAC, 50Hz	PDAL2/110AC50Hz	1SCA106543R1001	0.15
110 VAC, 60Hz	PDAL2/110AC60Hz	1SCA107100R1001	0.15
120 VAC, 60 Hz	PDAL2/120AC60Hz	1SCA111353R1001	0.15
208 VAC, 60Hz	PDAL2/208AC60Hz	1SCA107101R1001	0.15
230 VAC, 50Hz	PDAL2/230AC50Hz	1SCA107102R1001	0.15
240 VAC, 60 Hz	PDAL2/240AC60Hz	1SCA111356R1001	0.15
DC coils			
24 VDC	PDAL2/24DC	1SCA106542R1001	0.15
48 VDC	PDAL2/48DC	1SCA107103R1001	0.15
60 VDC	PDAL2/60DC	1SCA107104R1001	0.15
110 VDC	PDAL2/110DC	1SCA107105R1001	0.15
125 VDC	PDAL2/125DC	1SCA111338R1001	0.15
220 VDC	PDAL2/220DC	1SCA112503R1001	0.15

Technical data for the coil

Operating voltage		U=0.8...1.1 x Un	
Operating ambient temperature		-40°C.. 65°C	
Power consumption	with AC	6.5 W	
	with DC	9 VA	

Mounting accessories: DIN-rail mounting kit

For mounting a switch fuse into 35 mm DIN-rail

Suitable for switches	Type	Order number	Weight/ unit [kg]
OS32G...160G, 1 - 4 -pole	OSGZD1	1SCA115688R1001	0.20

Accessories for manual operated switch fuses 32...1250 A

Ordering information for spare part kits

Spare part kits

Suitable for switches	Type	Order number	Units/ type [pcs]	Weight/ unit [kg]
Fuse cover, window and label set				
OS32GB-OS63GB/ OS32GD-OS63GD/OS50GF	OSFC1/B10	1SCA149864R1001	10	0,100
OS60GJ	OSFC2/B10	1SCA149872R1001	10	0,110
OS125GD-OS160GD/OS125GF	OSFC3/B10	1SCA149873R1001	10	0,200
OS100GB-OS200GB	OSFC4/B10	1SCA149874R1001	10	0,180
OS100GJ	OSFC5/B10	1SCA149875R1001	10	0,180
OS200D/OS200B	OSFC6/B10	1SCA149876R1001	10	0,300
OS200J	OSFC7/B10	1SCA149877R1001	10	0,330
OS250D/OS250B	OSFC8/B10	1SCA149878R1001	10	0,400
OS400D	OSFC9/B4	1SCA149879R1001	4	0,200
OS315B-OS400B/OS400J	OSFC10/B4	1SCA149865R1001	4	0,220
OS630D-OS800D/OS630B-OS800B/OS600J-OS800L	OSFC11	1SCA149866R1001	1	0,100
OS1250D/OS1250B/OS1200L	OSFC12	1SCA149867R1001	1	0,330
Fuse cover and window				
OS40FD	OSFC13	1SCA149868R1001	1	0,180
Fuse cover				
OS20FB/OS32FB	OSFC14	1SCA149869R1001	1	0,858
OS25FF/OS32FF	OSFC15	1SCA149870R1001	1	0,077
OS30FACC/OS30FAJ	OSFC16	1SCA149871R1001	1	0,073
Mechanism cover and label set				
OS50GF/OS60GJ/OS63GB-OS160GB/OS63GD-OS160GD	OSMC1/B4	1SCA149880R1001	4	0,040
OS200D-250D/OS200-OS250B/OS200J	OSMC2/B4	1SCA149881R1001	4	0,045
OS315B-OS400B/OS400D/OS400J	OSMC3	1SCA149882R1001	1	0,020
OS630-800BS/OS630-OS800D/OS600J-OS800J	OSMC4	1SCA149883R1001	1	0,050
OS1250D/OS1250B/OS1200L	OSMC5	1SCA149884R1001	1	0,070
Shaft locking ring and screw				
OS32GD-OS250D/OS32GB-OS250B/OS50GF-OS125GF/OS60GJ-OS200J	OTZ52/B10	1SCA126043R1001	10	0,001
Lock spring and screw				
OS400D-OS1250D/OS315B-OS1250B/OS400J-OS1200L	OZX1	1SCA105708R1001	10	0,090



ABB

Switch fuses

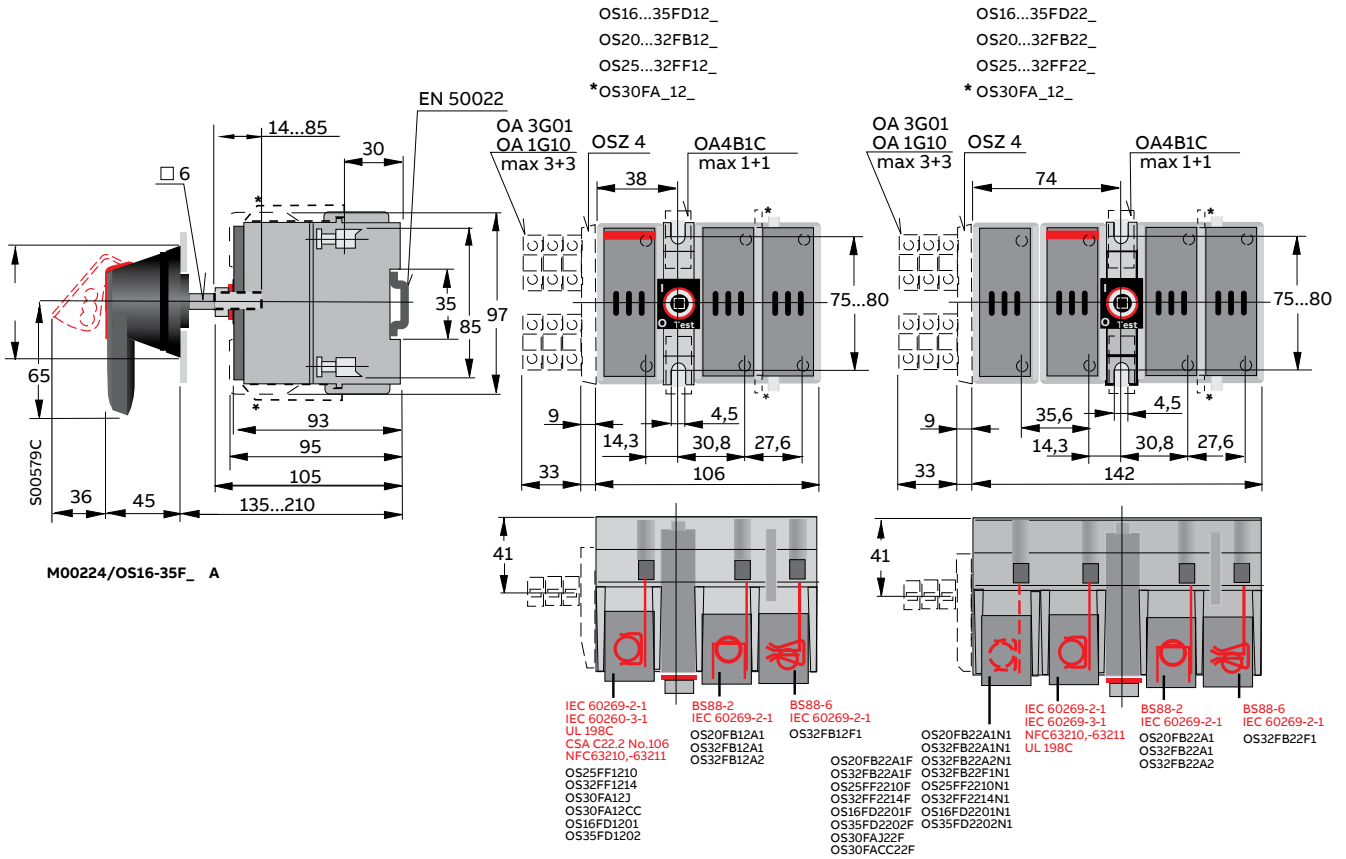
Dimensional drawings

Dimensional drawings	
Front operated switch fuses IEC and UL/CSA	99-124
Side operated switch fuses IEC and UL/CSA	125-132
Special connected switch fuses	133-148
Motorized switch fuses	149-155
Accessories for switch fuses 20...1250 A	156-162

Front operated switch fuses, IEC and UL/CSA

Dimensional drawings

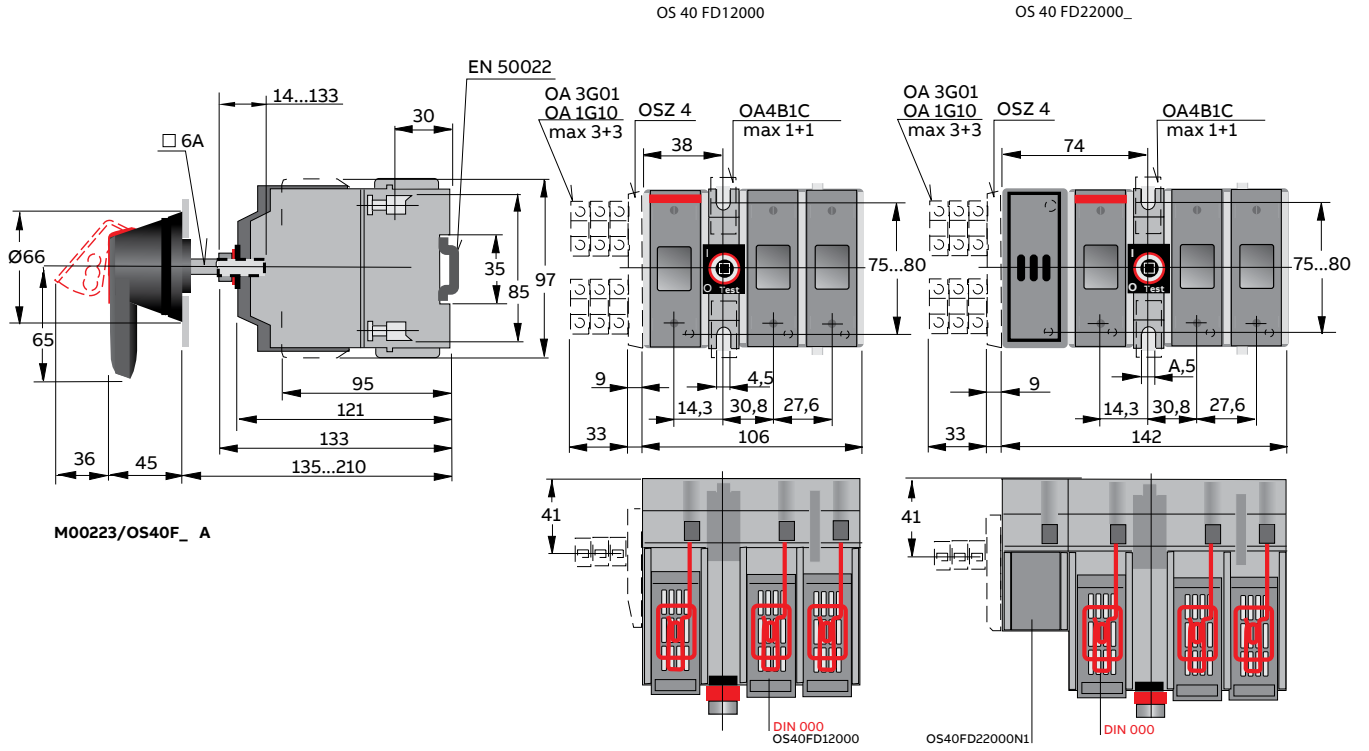
OS Mini



Front operated switch fuses, IEC and UL/CSA

Dimensional drawings

OS40 Mini (IEC Only)

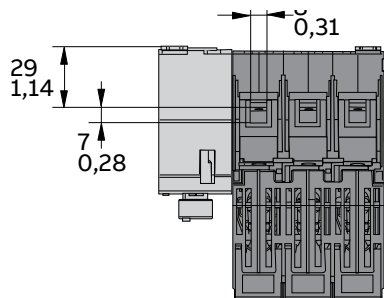
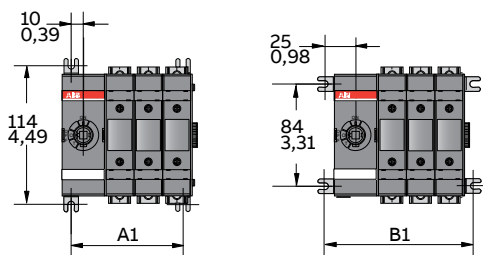
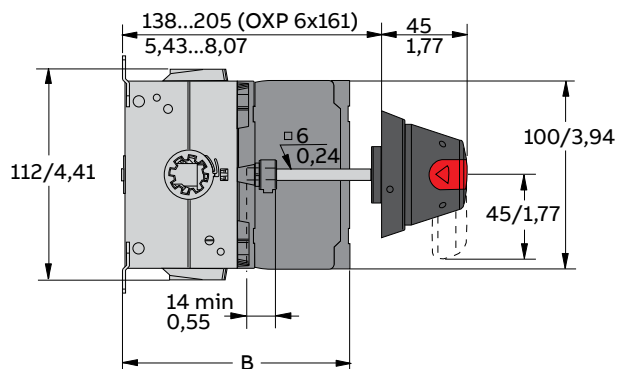
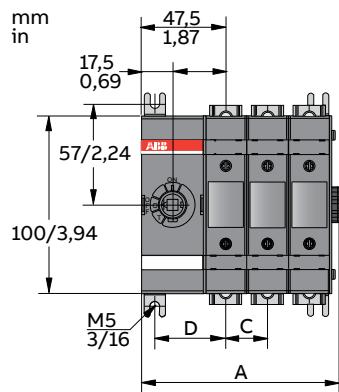


Front operated switch fuses, IEC

Dimensional drawings

OS32...63G_P

Mechanism at the end of the switch fuse



OS32-63GD

[mm]	D01	D02	D03	D04
A	64,5	88	111,5	135,5
B	120,5	120,5	120,5	120,5
C	-	23,5	23,5	23,5
D	40	40	40	40
E	30	30	30	30
A1	45	68,5	92	111,5
B1	75	98,5	122	145,5

M00287/OS32-63G_01-04 B

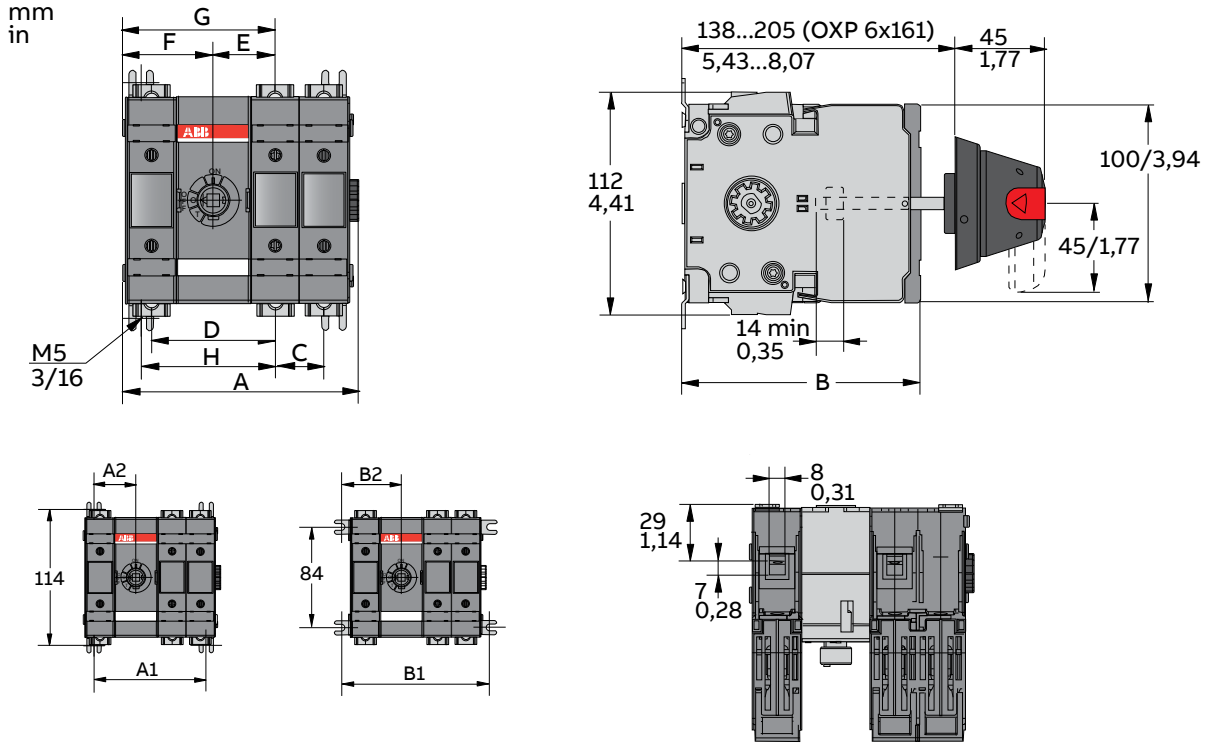
OS32-63GB/F

[mm]	B/F01	B/F02	B/F03	B/F04
A	64,5	88	111,5	135,5
B	108,5	108,5	108,5	108,5
C	-	23,5	23,5	23,5
D	40	40	40	40
E	30	30	30	30
A1	45	68,5	92	111,5
B1	75	98,5	122	145,5

Front operated switch fuses, IEC

Dimensional drawings

Mechanism between the poles



OS32-63GD				
[mm]	D11	D12	D13	D22
A	91	114,5	138	138
B	120,5	120,5	120,5	120,5
C	-	23,5	23,5	23,5
D	60	60	60	60
E	30	30	30	30
F	44	44	44	67,5
G	74	74	74	97,5
A1	70	93,5	117	117
A2	35	35	35	58,5
B1	100	123,5	147	147
B2	50	50	50	73,5

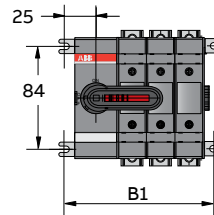
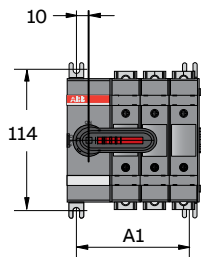
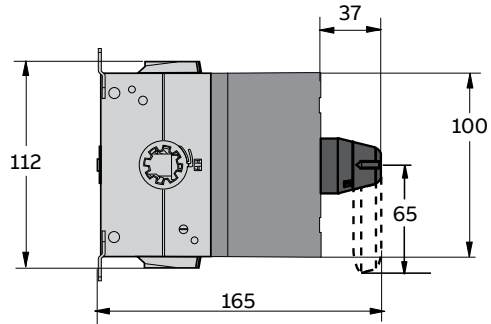
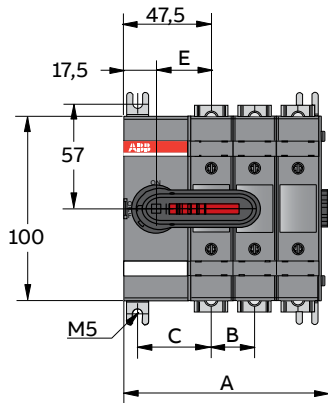
OS32-63GB/F				
[mm]	B/F11	B/F12	B/F13	B/F22
A	91	114,5	138	138
B	108,5	108,5	108,5	108,5
C	-	23,5	23,5	23,5
D	60	60	60	60
E	30	30	30	30
F	44	44	44	67,5
G	74	74	74	97,5
A1	70	93,5	117	117
A2	35	35	35	58,5
B1	100	123,5	147	147
B2	50	50	50	73,5

M00288/OS32-63G_11-22 B

Front operated switch fuses, IEC

Dimensional drawings

OS32G_K...OS63G_K



OS32-63G_K				
[mm]	D01	D02	D03	D04
A	64,5	88	111,5	135,5
B	40	40	40	40
C	-	23,5	23,5	23,5
E	30	30	30	30
A1	45	68,5	92	111,5
B1	75	98,5	122	145,5

M00389/OS32-63G_01-04K A

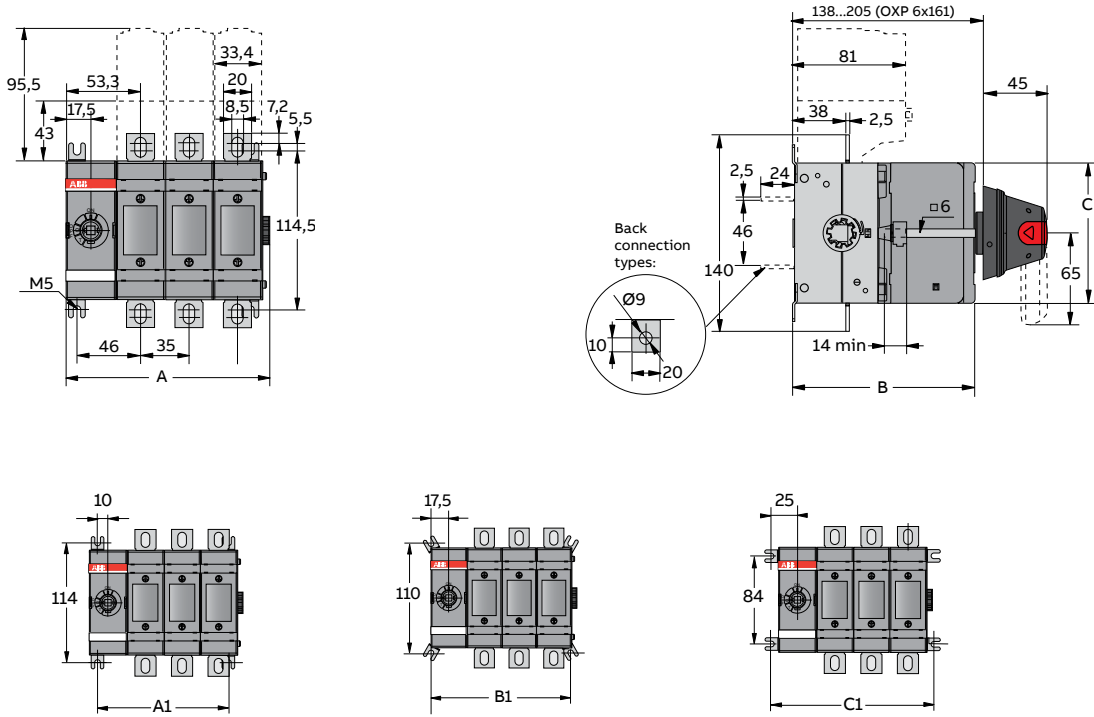
OS32-63G_K				
[mm]	B/F01	B/F02	B/F03	B/F04
A	64,5	88	111,5	135,5
B	40	40	40	40
C	-	23,5	23,5	23,5
E	30	30	30	30
A1	45	68,5	92	111,5
B1	75	98,5	122	145,5

Front operated switch fuses, IEC

Dimensional drawings

OS100...160G_P

Mechanism at the end of the switch fuse



OS100-160G_				
[mm]	D/F01	D/F02	D/F03	D/F04
A	76,5	111,5	146,5	181,5
B	130	130	130	130
C	100	100	100	100
A1	55	92	125	160
B1	70	105	140	175
C1	85	120	155	190

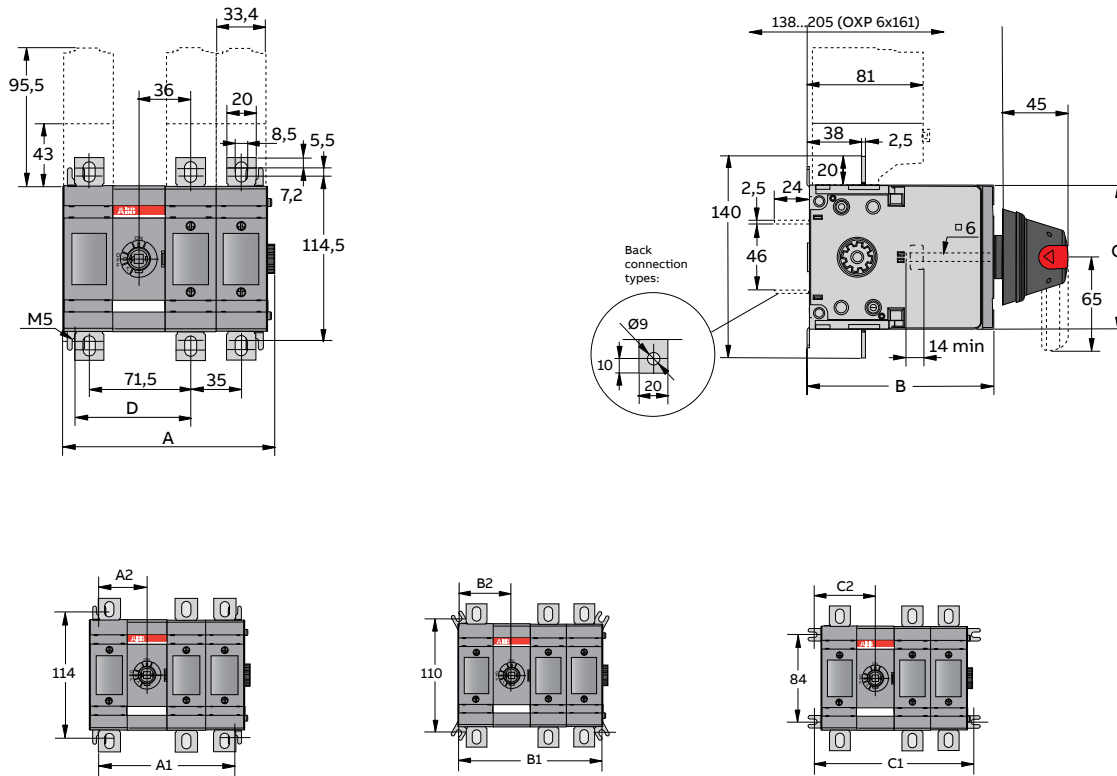
OS100-200G_				
[mm]	B01	B02	B03	B04
A	76,5	111,5	146,5	181,5
B	114,5	114,5	114,5	114,5
C	118	118	118	118
E	55	90	125	160
A1	70	105	140	175
B1	85	120	155	190

M00289/OS100-160G_01-04 C

Front operated switch fuses, IEC

Dimensional drawings

Mechanism between the poles



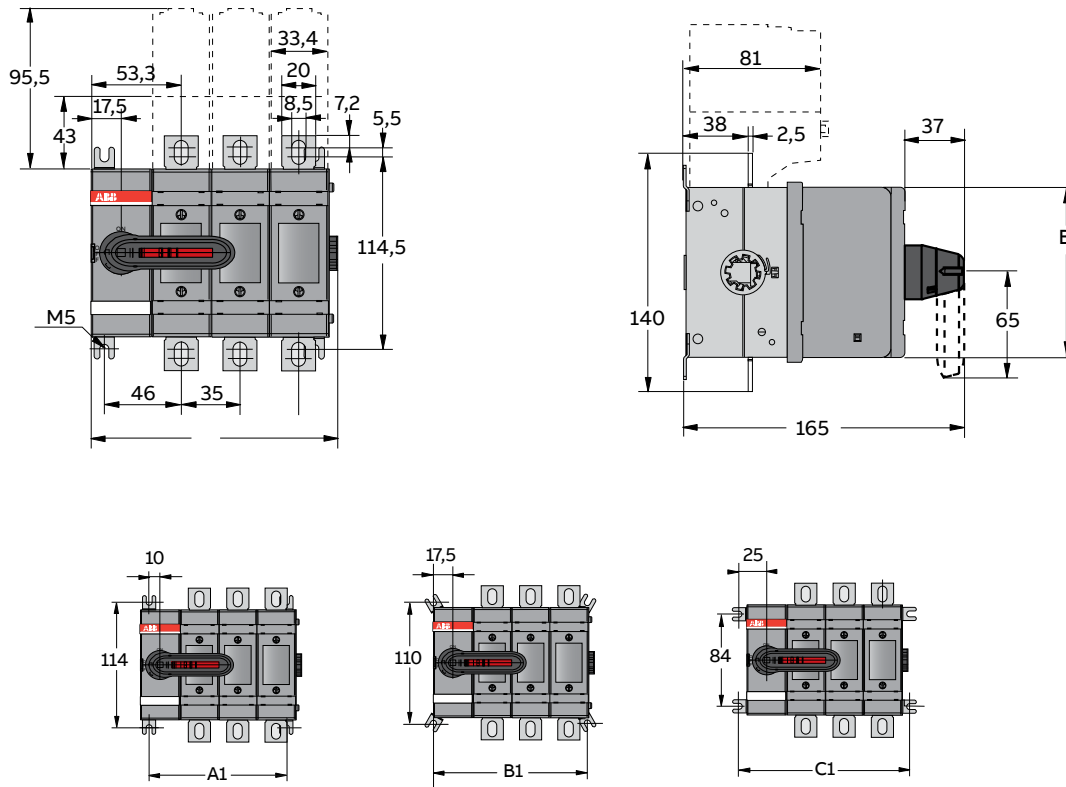
OS100-160GD/F				
[mm]	D/F11	D/F12	D/F13	D/F22
A	113	148	183	183
B	130	130	130	130
C	100	100	100	100
A1	90	125	160	160
A2	45	45	45	80
B1	105	140	175	175
B2	52,5	52,5	52,5	87,5
C1	120	155	190	190
C2	60	60	60	95

M00290/OS100-160G_11-22 B

Front operated switch fuses, IEC

Dimensional drawings

OS100G_K...OS160G_K



OS100-160G_K				
[mm]	D/F01	D/F02	D/F03	D/F04
A	76,5	111,5	146,5	181,5
B	100	100	100	100
A1	55	90	125	160
B1	70	105	140	175
C1	85	120	155	190

M00390/OS100-160G_01-04K A

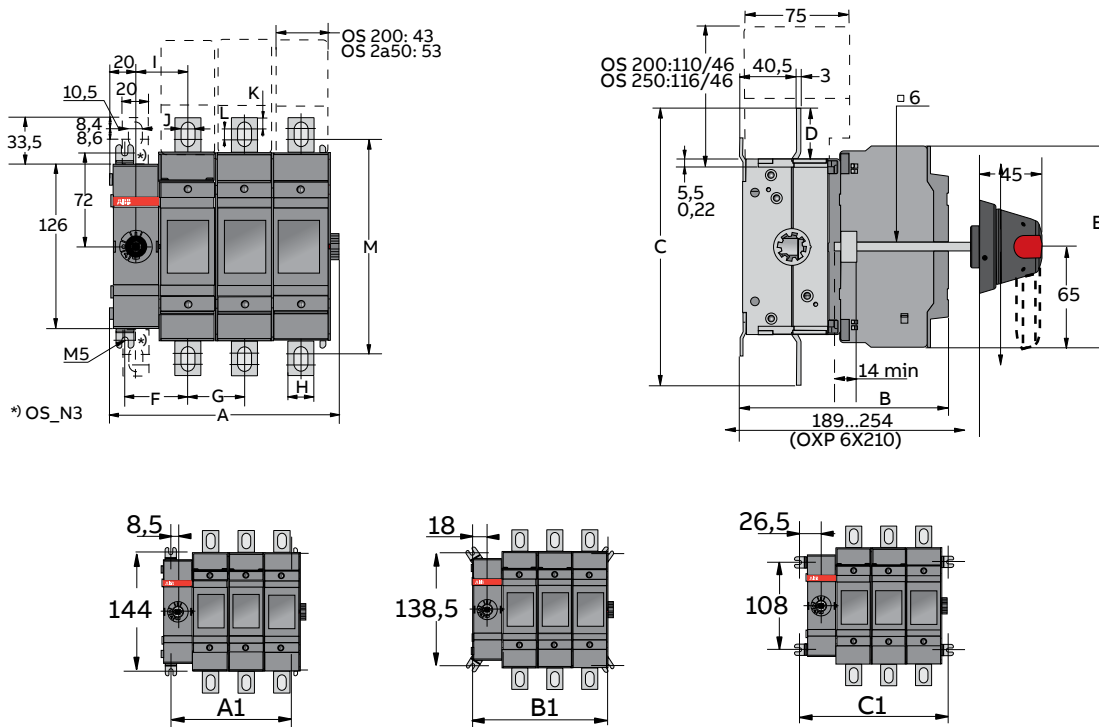
OS100-160G_K				
[mm]	B01	B02	B03	B04
A	76,5	111,5	146,5	181,5
B	118	118	118	118
A1	55	90	125	160
B1	70	105	140	175
C1	85	120	155	190

Front operated switch fuses, IEC

Dimensional drawings

OS200_P and OS250_P

Mechanism at the end of the switch fuse



OS200								
[mm]	D01	B01	D02	B02	D03	B03	D04	B04
A	89,5	89,5	133	133	176,5	176,5	220	220
B	149	130	149	130	149	130	149	130
C	198,5	198,5	198,5	198,5	198,5	198,5	198,5	198,5
D	36,5	36,5	36,5	36,5	36,5	36,5	36,5	36,5
E	144,5	144,5	144,5	144,5	144,5	144,5	144,5	144,5
F	48,5	48,5	48,5	48,5	48,5	48,5	48,5	48,5
G	-	-	43,5	43,5	43,5	43,5	43,5	43,5
H	20	20	20	20	20	20	20	20
I	40	40	40	40	40	40	40	40
J	10	10	10	10	10	10	10	10
K	8,4	8,4	8,4	8,4	8,4	8,4	8,4	8,4
L	8,6	8,6	8,6	8,6	8,6	8,6	8,6	8,6
M	164,5	164,5	164,5	164,5	164,5	164,5	164,5	164,5
A1	60,5	60,5	104	104	147,5	147,5	191	191
B1	79,5	79,5	123	123	166,5	166,5	210	210
C1	96,5	96,5	140	140	183,5	183,5	227	227

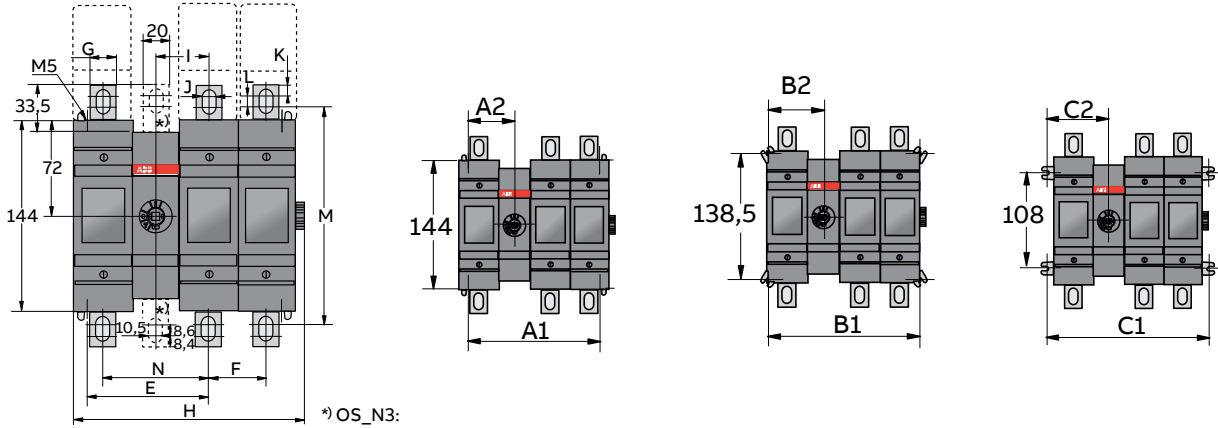
M00008/OS200 250 01 04 H

OS250				
[mm]	D01/ B01	D02/ B02	D03/ B03	D04/ B04
A	99,5	153,5	207,5	261,5
B	154	154	154	154
C	193	193	193	193
D	33,5	33,5	33,5	33,5
E	148,5	148,5	148,5	148,5
F	53,5	53,5	53,5	53,5
G	-	54	54	54
H	25	25	25	25
I	45	45	45	45
J	11	11	11	11
K	11,5	11,5	11,5	11,5
L	4	4	4	4
M	162	162	162	162
A1	70,5	124,5	178,5	232,5
B1	89,5	143,5	197,5	251,5
C1	106,5	160,5	214,5	268,5

Front operated switch fuses, IEC

Dimensional drawings

Mechanism between the poles



OS200								
[mm]	D11	B11	D12	B12	D13	B13	D22	B22
A	149	130	149	130	141	130	149	130
B	199	199	199	199	199	199	199	199
C	36,5	36,5	36,5	36,5	36,5	36,5	36,5	36,5
D	144,5	144,5	144,5	144,5	144,5	144,5	144,5	144,5
E	92	92	92	92	92	92	135,5	135,5
F	43,5	43,5	43,5	43,5	43,5	43,5	43,5	43,5
G	20	20	20	20	20	20	20	20
H	132	132	175,5	175,5	219	219	219	219
I	40	40	40	40	40	40	40	40
J	10	10	10	10	10	10	10	10
K	8,4	8,4	8,4	8,4	8,4	8,4	8,4	8,4
L	8,6	8,6	8,6	8,6	8,6	8,6	8,6	8,6
M	165	165	165	165	165	165	165	165
N	80	80	80	80	80	80	80	80
A1	104	104	147,5	147,5	191	191	191	191
A2	52	52	52	52	52	5	95,5	95,5
B1	123	123	166,5	166,5	210	210	210	210
B2	61,5	61,5	61,5	61,5	61,5	61,5	105	105
C1	140	140	183,5	183,5	227	227	227	227
C2	70	70	70	70	70	70	113,5	113,5

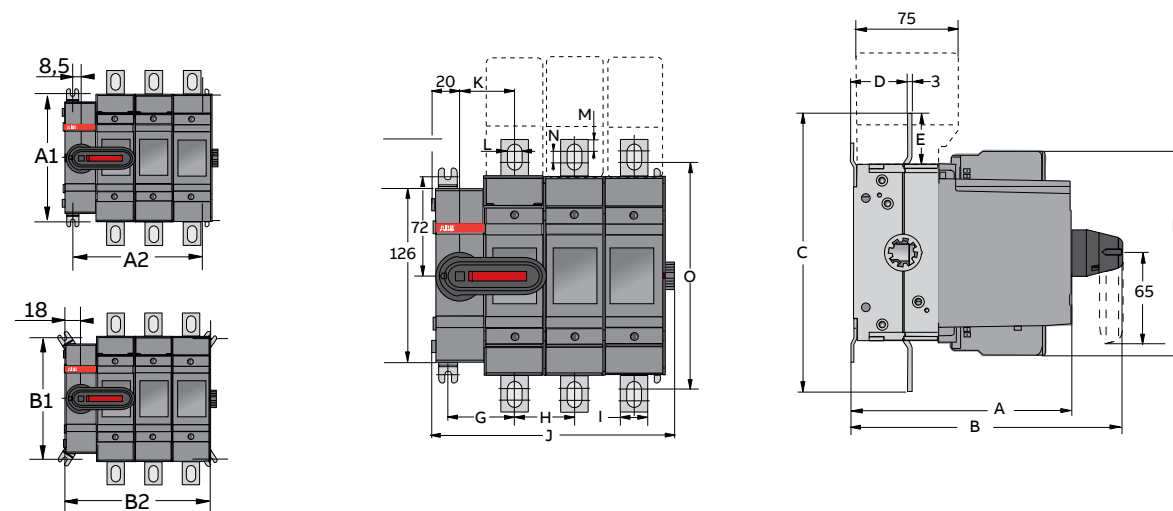
OS250				
[mm]	D11	D12	D13	D22
A	154	154	154	154
B	193	193	193	193
C	33,5	33,5	33,5	33,5
D	148,5	148,5	148,5	148,5
E	112,5	112,5	112,5	112,5
F	54	54	54	54
25	25	25	25	25
H	152	152	152	152
I	45	45	45	45
J	11	11	11	11
K	11,5	11,5	11,5	11,5
L	4	4	4	4
M	162	162	162	162
N	90	90	90	90
A1	124	178	232	232
A2	62	62	62	116
B1	143	197	251	251
B2	71,5	71,5	71,5	125,5
C1	160	214	268	268
C2	80	80	80	134

M00014/OS200_250_11_22 K

Front operated switch fuses, IEC

Dimensional drawings

OS200_K and OS250_K



OS200K				
[mm]	D01/ B01	D02/ B02	D03/ B03	D04/ B04
A1	144	144	144	144
A2	60,5	104	147,5	191
B1	138,5	138,5	138,5	138,5
B2	79,5	123	166,5	210
C1	108	108	108	108
C2	96,5	140	183,5	227

OS250K				
[mm]	D01	D02	D03	D04
A1	144	144	144	144
A2	70,5	124,5	178,5	232,5
B1	138,5	138,5	138,5	138,5
B2	89,5	143,5	197,5	251,5
C1	108	108	108	108
C2	106,5	106,5	214,5	268,5

OS200_K								
[mm]	D01	B01	D02	B02	D03	B03	D04	B04
A	154	130	154	130	154	130	154	130
B	191	167	191	167	191	167	191	167
C	198,5	198,5	198,5	198,5	198,5	198,5	198,5	198,5
D	40,5	40,5	40,5	40,5	40,5	40,5	40,5	40,5
E	36,5	36,5	36,5	36,5	36,5	36,5	36,5	36,5
F	144,5	144,5	144,5	144,5	144,5	144,5	144,5	144,5
G	48,5	48,5	48,5	48,5	48,5	48,5	48,5	48,5
H	-	-	43,5	43,5	43,5	43,5	43,5	43,5
I	20	20	20	20	20	20	20	20
J	89,5	89,5	133	133	176,5	176,5	220	220
K	40	40	40	40	40	40	40	40
L	10	10	10	10	10	10	10	10
M	8,5	8,5	8,5	8,5	8,5	8,5	8,5	8,5
N	8,5	8,5	8,5	8,5	8,5	8,5	8,5	8,5
O	164,5	164,5	164,5	164,5	164,5	164,5	164,5	164,5

OS250_K				
[mm]	D01/ B01	D02/ B02	D03/ B03	D04/ B04
A	154	154	154	154
B	191	191	191	191
C	193	193	193	193
D	40,5	40,5	40,5	40,5
E	33,5	33,5	33,5	33,5
F	148,5	148,5	148,5	148,5
G	53,5	53,5	53,5	53,5
H	-	54	54	54
I	25	25	25	25
J	99,5	153,5	207,5	261,5
K	45	45	45	45
L	11	11	11	11
M	11,5	11,5	11,5	11,5
N	4	4	4	4
O	162	162	162	162

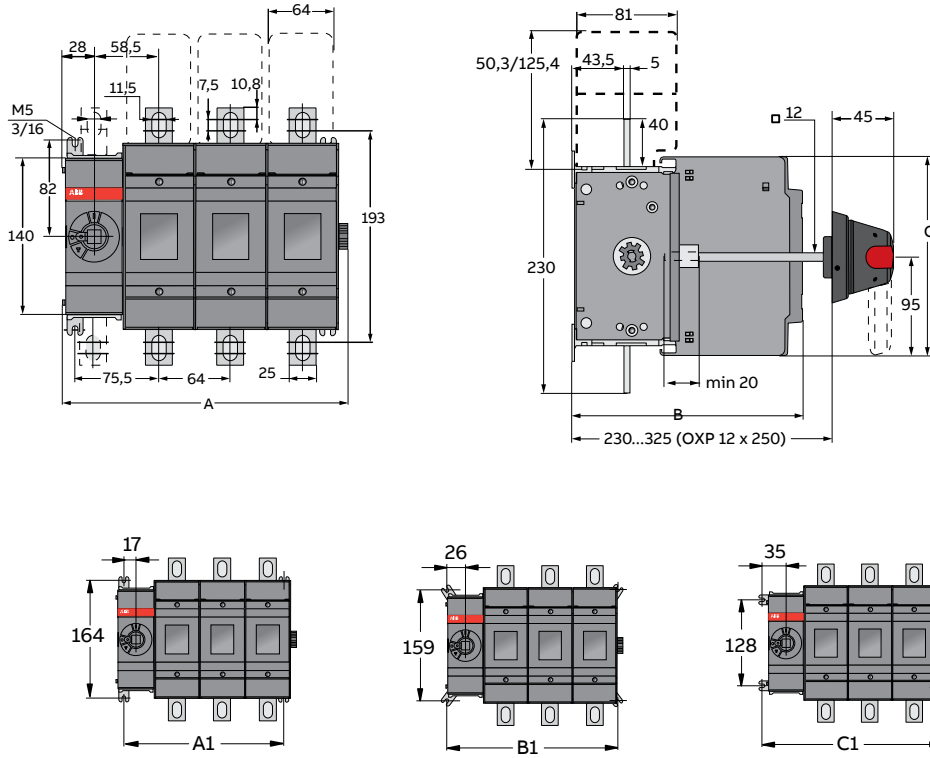
M00080/OS 200_250_01_04K C

Front operated switch fuses, IEC

Dimensional drawings

OS315_P and OS400_P

Mechanism at the end of the switch fuse



OS315				
[mm]	B01	B02	B03	B04
A	127	191	255	319
B	176	176	176	176
C	194	194	194	194

OS315				
[mm]	B01	B02	B03	B04
A1	98,5	162,5	226,5	290,5
B1	116,5	180,5	244,5	308,5
C1	134,5	198,5	262,5	326,5

C000014 /OS315_400_001_04 A

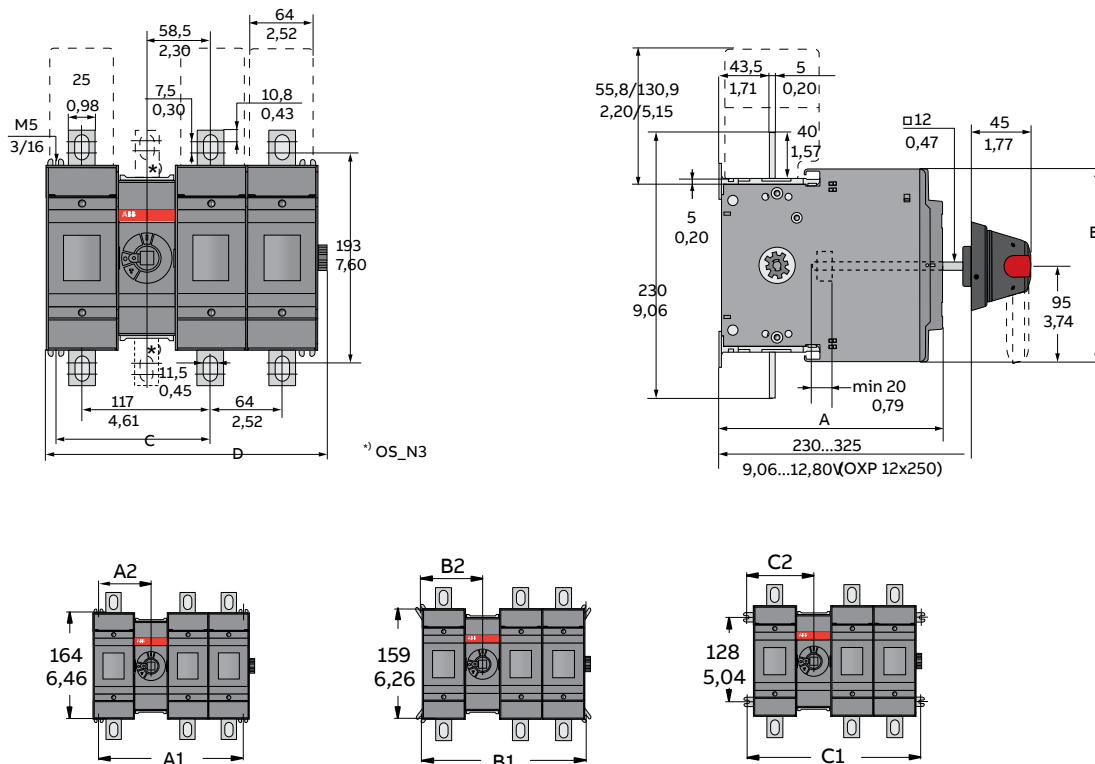
OS400								
[mm]	B01	B02	B03	B04	D01	D02	D03	D04
A	127	191	255	319	127	191	255	319
B	176	176	176	176	193	193	193	193
C	194	194	194	194	166	166	166	166

OS400				
[mm]	B01/ D01	B02/ D02	B03/ D03	B04/ D04
A1	98,5	162,5	226,5	290,5
B1	116,5	180,5	244,5	308,5
C1	134,5	198,5	262,5	326,5

Front operated switch fuses, IEC

Dimensional drawings

Mechanism between the poles



OS315-400					
[mm]	B11	B12	B13	B21	B22
A	176	176	176	176	176
B	194	194	194	194	194
C	140	140	140	204	204
D	190	254	318	254	318

OS400					
[mm]	D11	D12	D13	D21	D22
A	193	193	193	193	193
B	166	166	166	166	166
C	140	140	140	204	204
D	190	254	318	254	318

OS315					
[mm]	B11	B12	B21	B22	B13
A1	163	227	227	291	291
A2	81,5	81,5	145,5	145,5	81,5
B1	181	245	245	309	309
B2	90,5	90,5	154,5	154,5	90,5
C1	199	263	263	327	327
C2	99,5	99,5	163,5	163,5	99,5

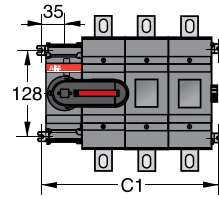
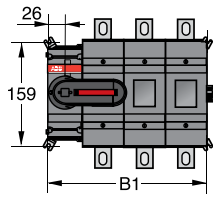
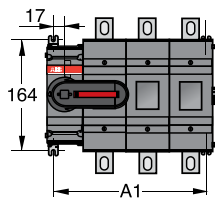
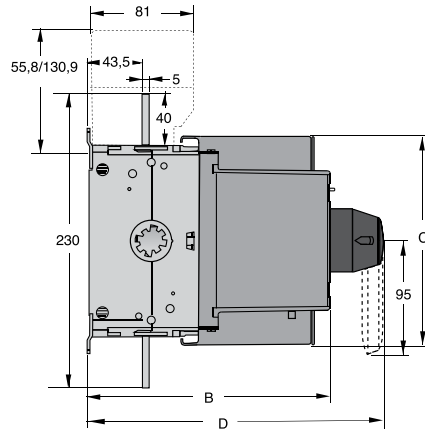
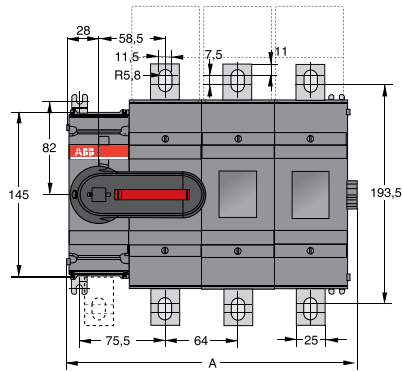
OS400					
[mm]	B11/ D11	B12/ D12	B13/ D21	B22/ D22	B13/ D13
A1	163	227	227	291	291
A2	81,5	81,5	145,5	145,5	81,5
B1	181	245	245	309	309
B2	90,5	90,5	154,5	154,5	90,5
C1	199	263	263	327	327
C2	99,5	99,5	163,5	163,5	99,5

C000011/OS315-400_11_22 B

Front operated switch fuses, IEC

Dimensional drawings

OS315_K and OS400_K



OS315,OS400				
[mm]	B01K	B02K	B03K	B04K
A	127	191	255	319
B	176	176	176	176
C	194	194	194	194
D	219	219	219	219
A1	98,5	162,5	226,5	290,5
B1	116,5	180,5	244,5	308,5
C1	134,5	198,5	262,5	326,5

OS400				
[mm]	D01K	D02K	D03K	D04K
A	127	191	255	319
B	193	193	193	193
C	166	166	166	166
D	236	236	236	236
A1	98,5	162,5	226,5	290,5
B1	116,5	180,5	244,5	308,5
C1	134,5	198,5	262,5	326,5

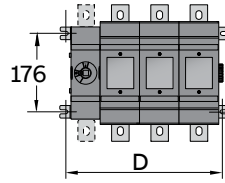
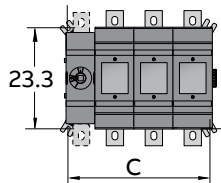
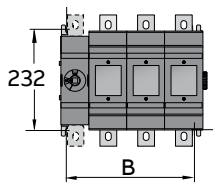
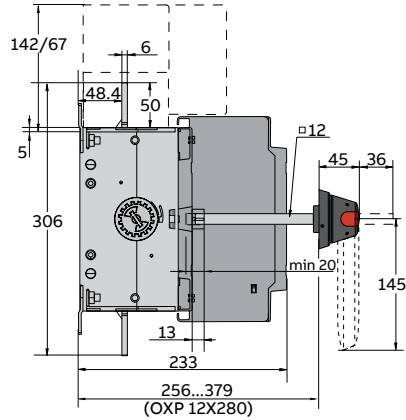
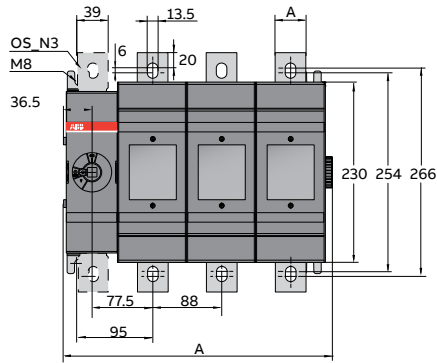
M00081/OS 315-400_01_04K B

Front operated switch fuses, IEC

Dimensional drawings

OS 630_P and OS 800_P

Mechanism at the end of the switch fuse



OS630-800

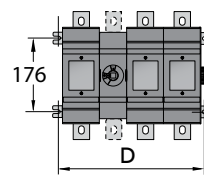
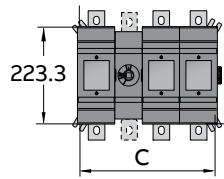
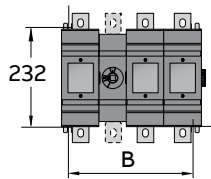
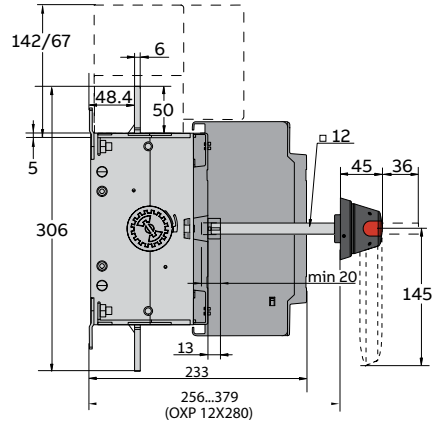
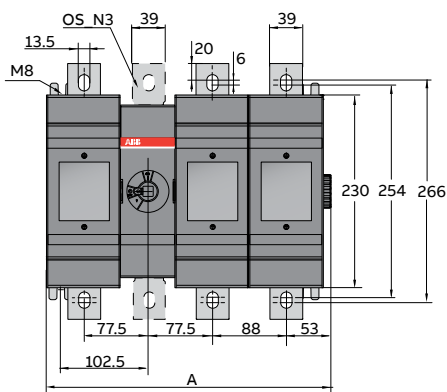
[mm]	D/B01	D/B02	D/B03	D/B04
A	167	255	343	431
B	120	208	296	384
C	150	238	326	414
D	176	264	352	440

M00097/OS600-800_01-04 A / KE00041

Front operated switch fuses, IEC

Dimensional drawings

Mechanism between the poles



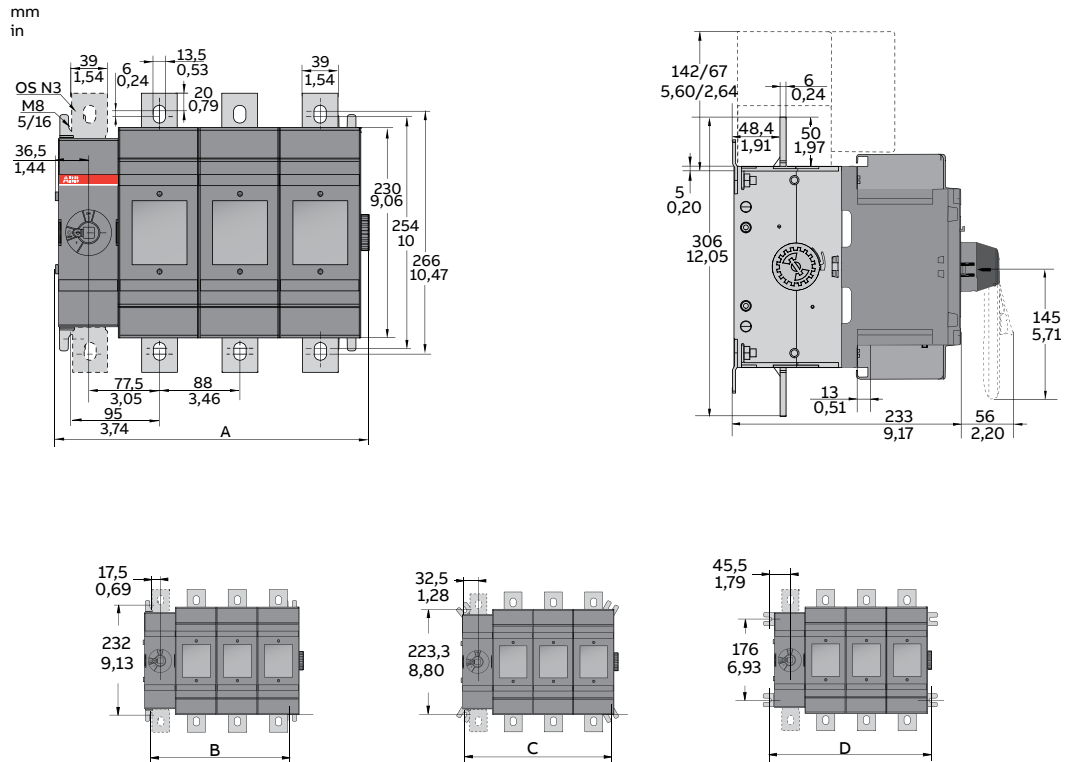
OS630-800				
[mm]	D/B11	D/B12	D/B13	D/B22
A	253	341	429	429
B	205	293	381	381
C	235	323	411	411
D	261	349	437	437

KE00042 / M00100/OS600-800_11-22 A

Front operated switch fuses, IEC

Dimensional drawings

OS630_K and OS800_K



OS600-800_

[mm/in]	D/B01	D/B02	D/B03	D/B04
A	167/6,57	255/10,04	343/13,50	431/16,97
B	120/4,72	208/8,19	296/11,65	384/15,12
C	150/5,91	238/9,37	326/12,83	414/16,30
D	176/6,93	264/10,39	352/13,86	440/17,32

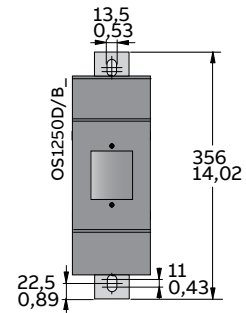
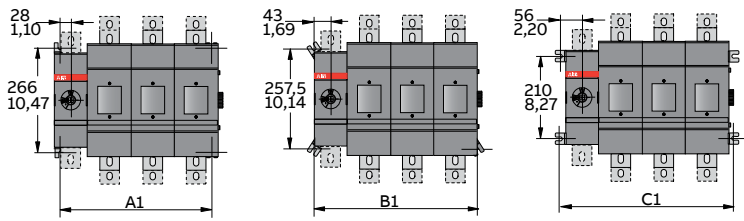
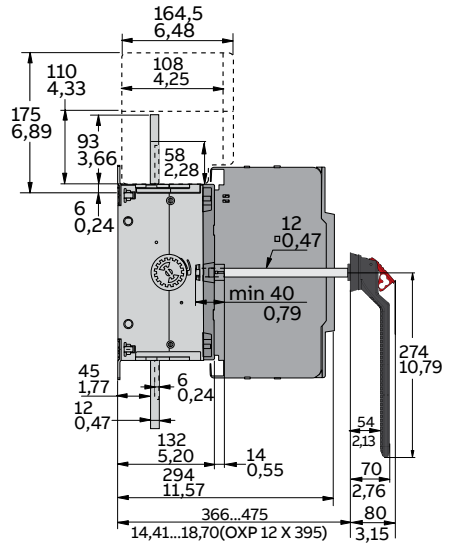
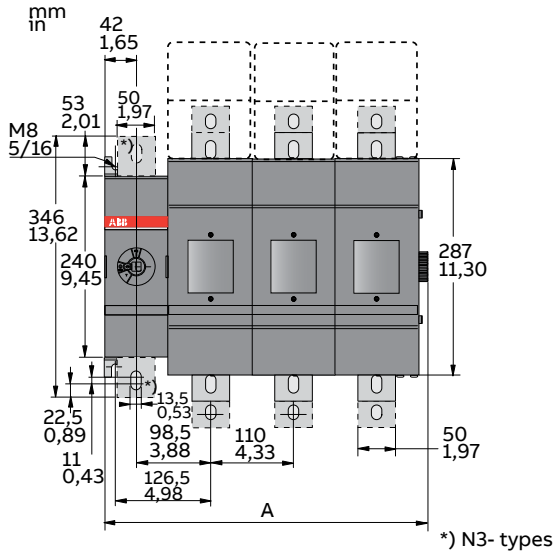
M00229/OS600-800_01-04K A

Front operated switch fuses, IEC

Dimensional drawings

OS1200...1250_P

Mechanism at the end of the switch fuse



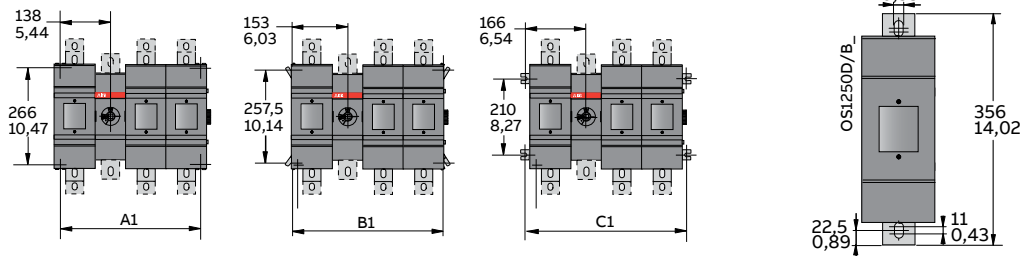
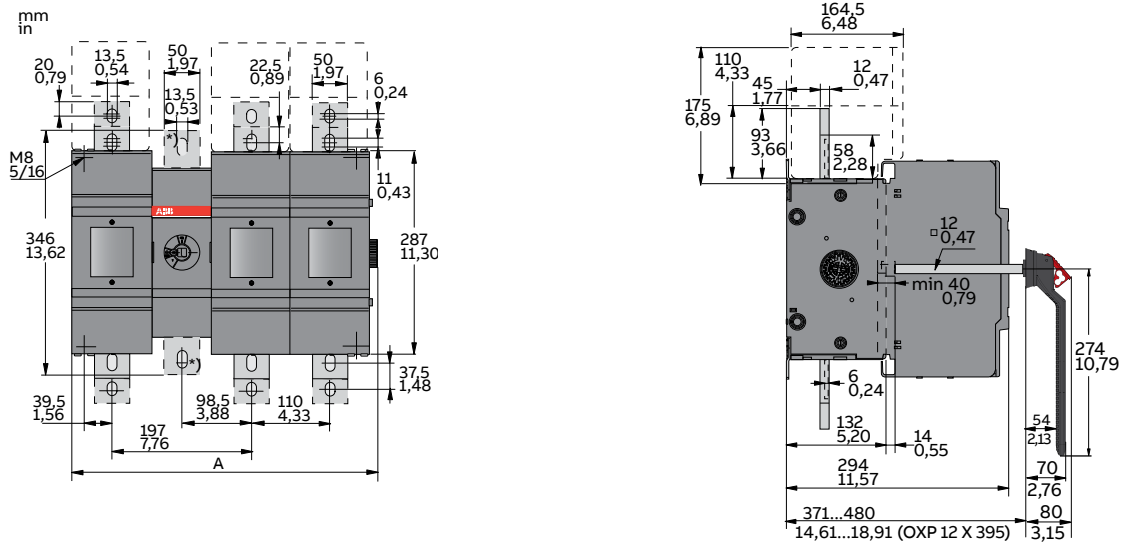
OS1200/1250				
[mm]	D/B01	D/B02	D/B03	D/B04
A	209	319	429	539
A1	166	276	386	496
B1	196	306	416	526
C1	222	332	442	552

M00207/OS1200-1250_01-04 C

Front operated switch fuses, IEC

Dimensional drawings

Mechanism between the poles



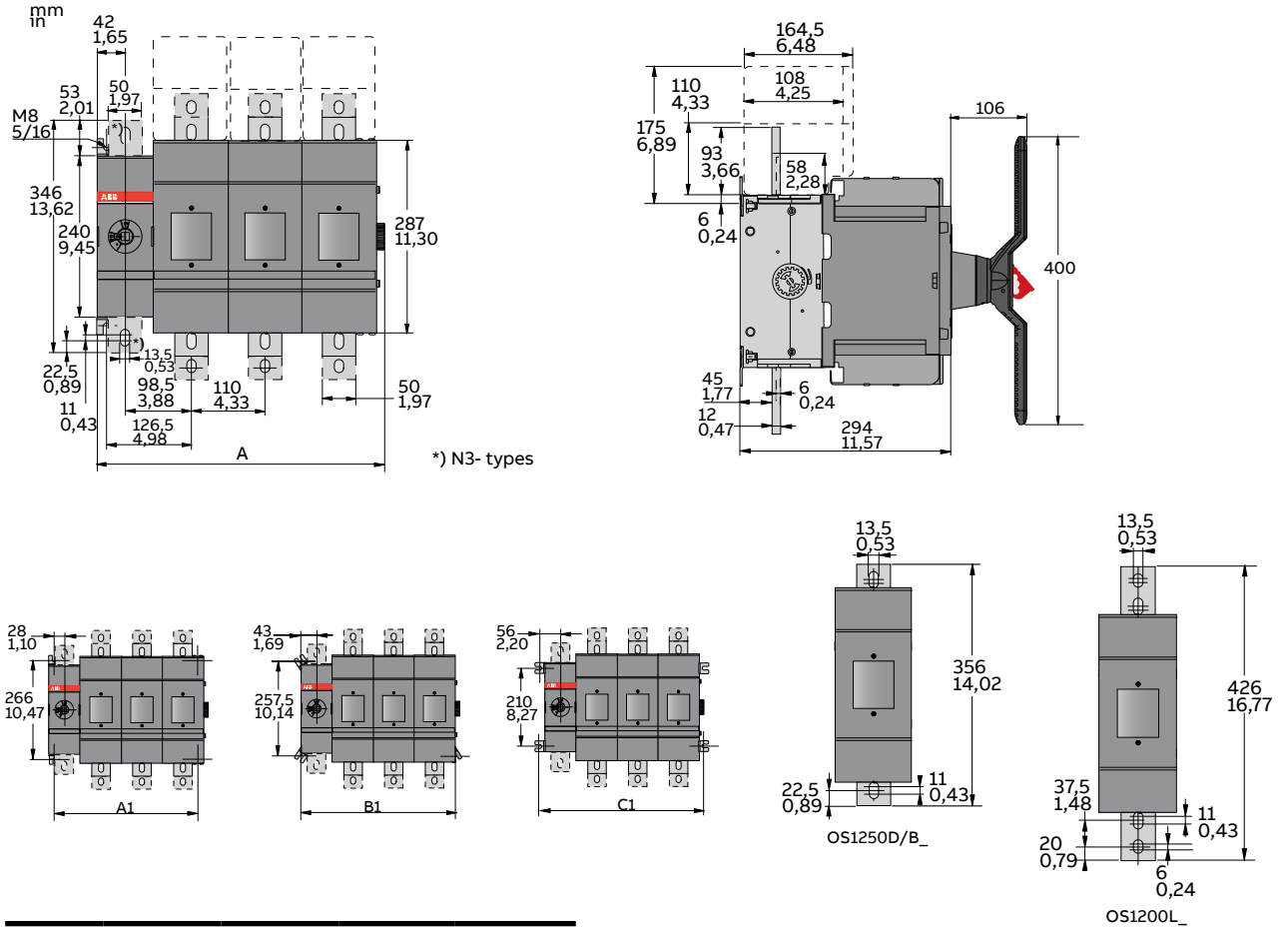
OS1200/1250				
[mm]	D/B11	D/B12	D/B13	D/B22
A	322	432	542	542
A1	276	386	496	496
B1	306	416	526	526
C1	322	442	552	552

M00208/OS1200-1250_11-22 C

Front operated switch fuses, IEC

Dimensional drawings

OS1200_K and OS1250_K



OS1200/1250_				
[mm/in]	L01	L02	L03	L04
A	209/8,23	319/12,56	429/16,89	539/21,22
A1	166/6,54	276/10,87	386/15,20	496/19,53
B1	196/7,72	306/12,05	416/16,38	526/20,71
C1	222/8,74	332/13,07	442/17,40	552/21,73

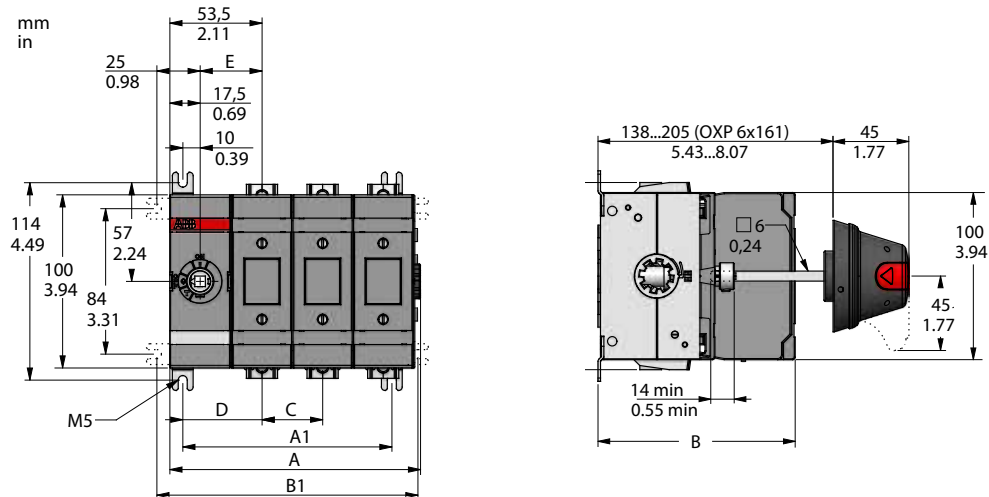
M00231/OS1200-1250_01-04K A

Front operated switch fuses, UL/CSA

Dimensional drawings

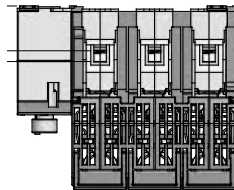
OS60GJ_

Mechanism at the end of the switch fuse



OS60_G				
[mm/in]	J01	J02	J03	J04
A	75/2,95	110/4,33	145/5,71	180/7,09
B	118/4,65	118/4,65	118/4,65	118/4,65
C	196	35/1,38	35/1,38	35/1,38
D	46/1,81	46/1,81	46/1,81	46/1,81
E	36/1,42	36/1,42	36/1,42	36/1,42
A1	51/2,01	86/3,39	121/4,77	156/6,14
B1	81/3,19	116/4,57	151/5,95	186/7,33

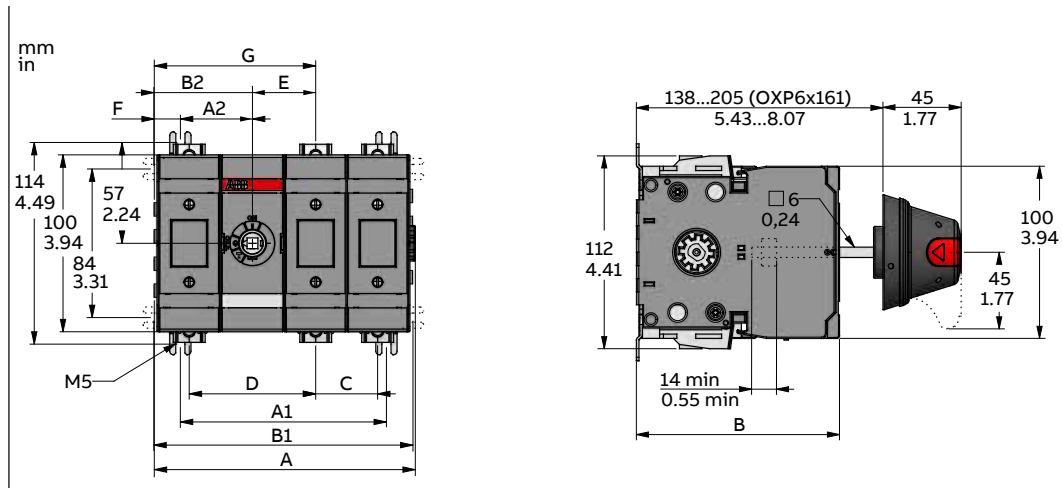
M00529/ OS60GJ01-04 A



Front operated switch fuses, UL/CSA

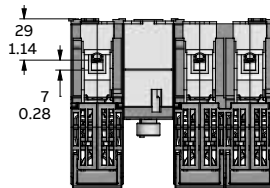
Dimensional drawings

Mechanism between the poles



OS60G_				
[mm/in]	J11	J12	J13	J22
A	112,5/4,43	147,5/5,81	182,5/7,19	182,6/7,19
B	118/4,65	118/4,65	118/4,65	118/4,65
C	-	35/1,38	35/1,38	35/1,38
D	71,5/2,82	71,5/2,82	71,5/2,82	71,5/2,82
E	36/1,42	36/1,42	36/1,42	36/1,42
F	55,5/2,19	55,5/2,19	55,5/2,19	90,5/3,56
G	91,5/3,60	91,5/3,60	91,5/3,60	91,5/3,60
A1	81,5/3,21	116,5/4,59	151,5/5,97	151,5/5,97
A2	41/1,61	41/1,61	41/1,61	76/2,99
B1	111,5/4,39	146,5/5,77	181,5/7,15	181,5/7,15
B2	56/2,20	56/2,20	56/2,20	91/3,58

M00528/ OS60GJ11-22 A

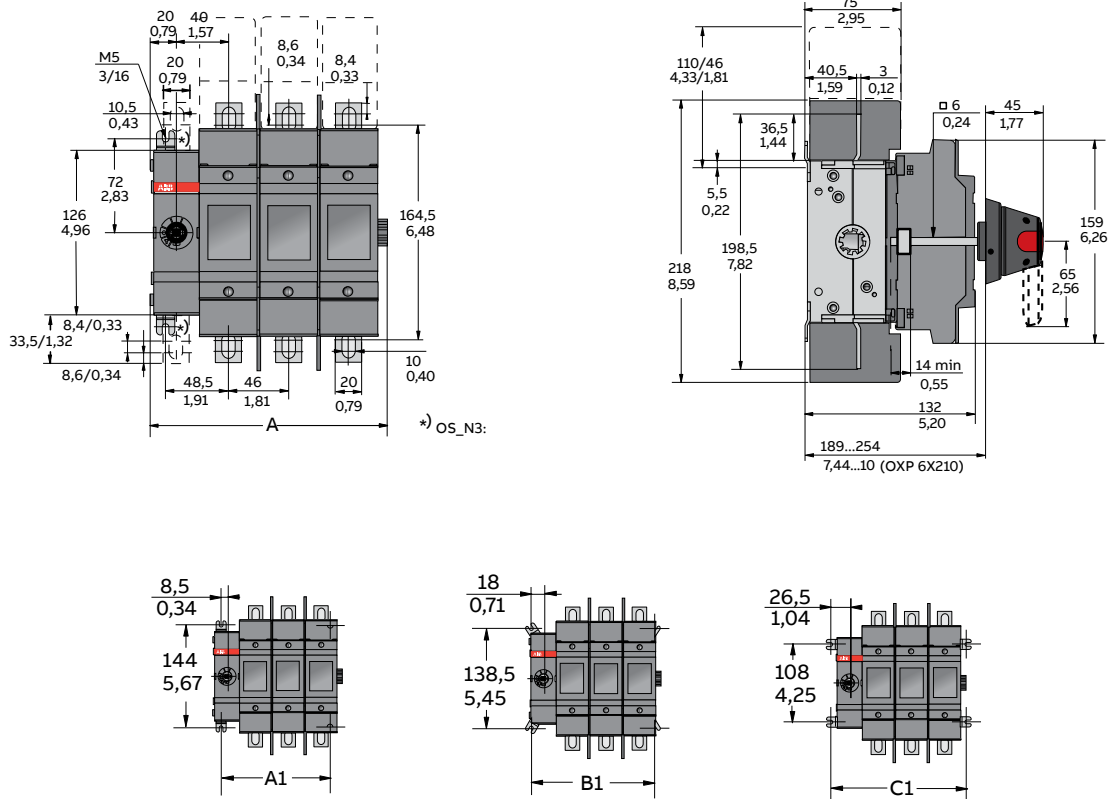


Front operated switch fuses, UL/CSA

Dimensional drawings

OS200J

Mechanism at the end of the switch fuse



OS200

[mm/in]	J01	J02	J03	J04
A	89,5/3,52	135,5/5,34	181,5/7,15	227,5/8,96
A1	60,5/2,38	106,5/4,19	152,5/6,00	198,5/7,82
B1	79,5/3,13	125,5/4,94	171,5/6,75	217,5/8,56
C1	96,5/3,80	142,5/5,61	188,5/7,42	234,5/9,23

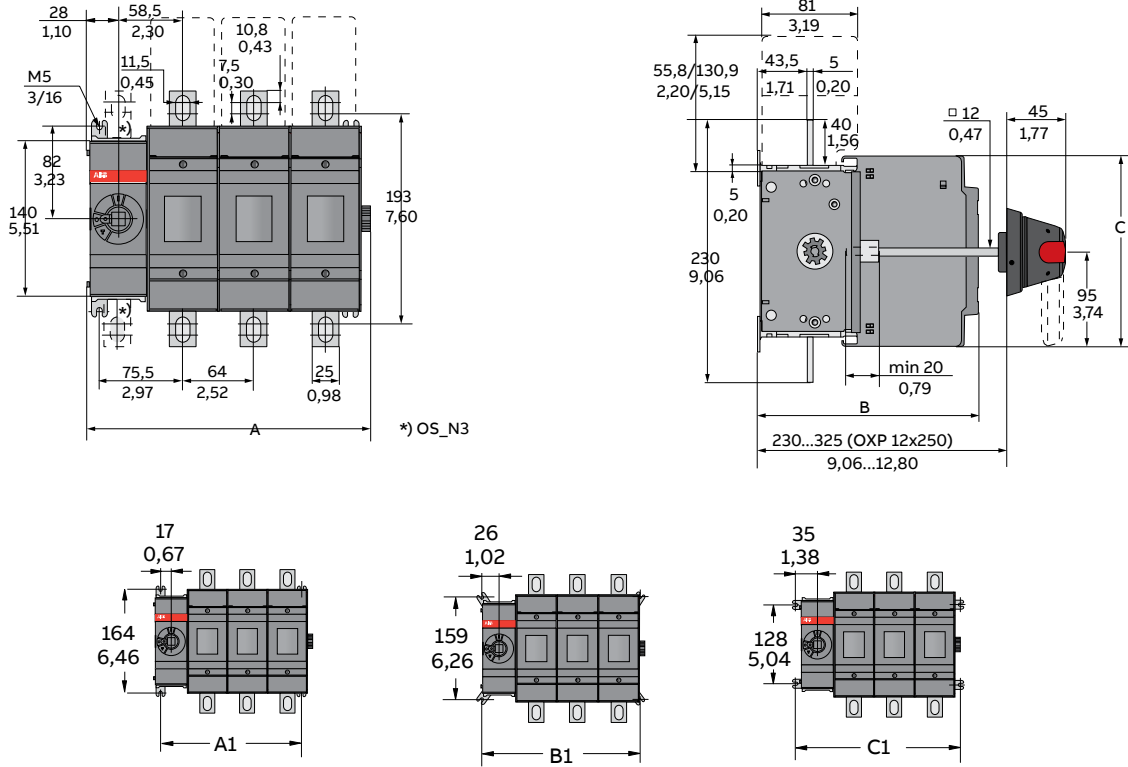
M00001/OS200J01-04 H

Front operated switch fuses, UL/CSA

Dimensional drawings

OS400J

Mechanism at the end of the switch fuse



OS400				
[mm/in]	J01	J02	J03	J04
A	127/5,00	191/7,52	255/10,04	319/12,56
B	176/6,93	176/6,93	176/6,93	176/6,93
C	194/7,64	194/7,64	194/7,64	194/7,64

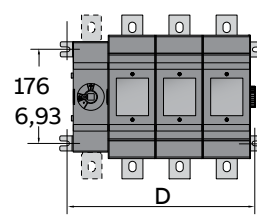
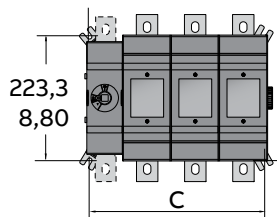
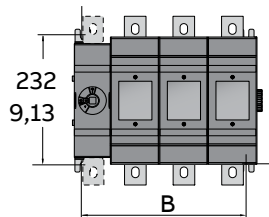
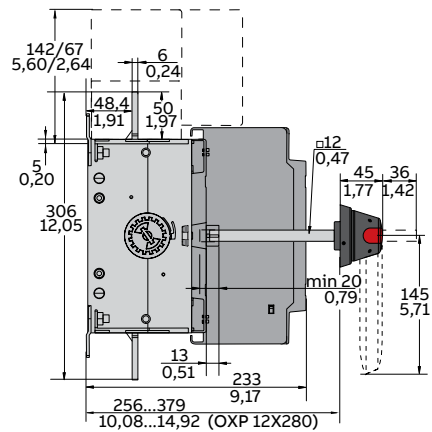
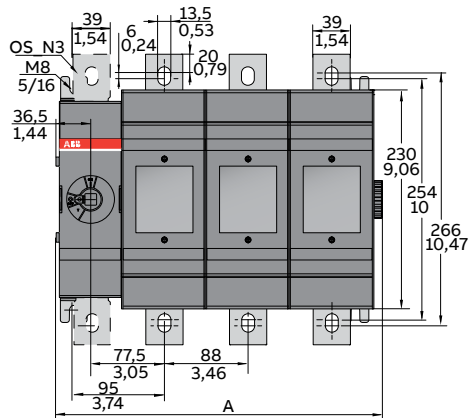
C000012 / OS315_400_01_04 B

Front operated switch fuses, UL/CSA

Dimensional drawings

OS600J and OS800L

Mechanism at the end of the switch fuse

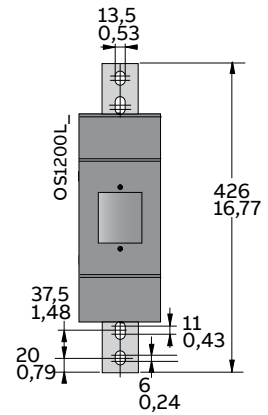
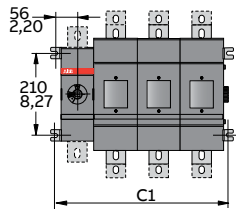
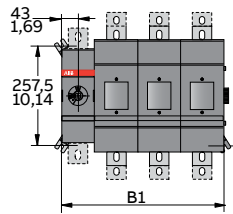
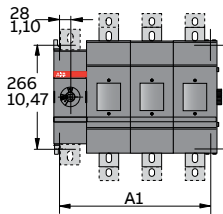
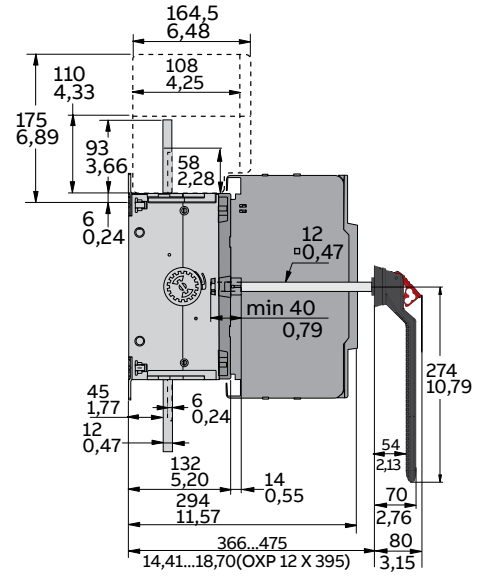
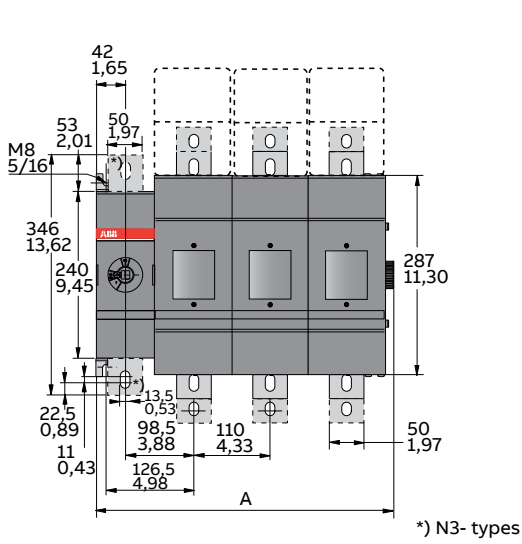


OS600-800				
[mm/in]	J/L01	J/L02	J/L03	J/L04
A	167/6,57	255/10,04	343/13,50	431/16,97
B	120/4,72	208/8,19	296/11,65	384/15,12
C	150/5,91	238/9,37	326/12,83	414/16,30
D	176/6,93	264/10,39	352/13,86	440/17,32

Front operated switch fuses, UL/CSA

Dimensional drawings

OS1200L



OS1200/1250

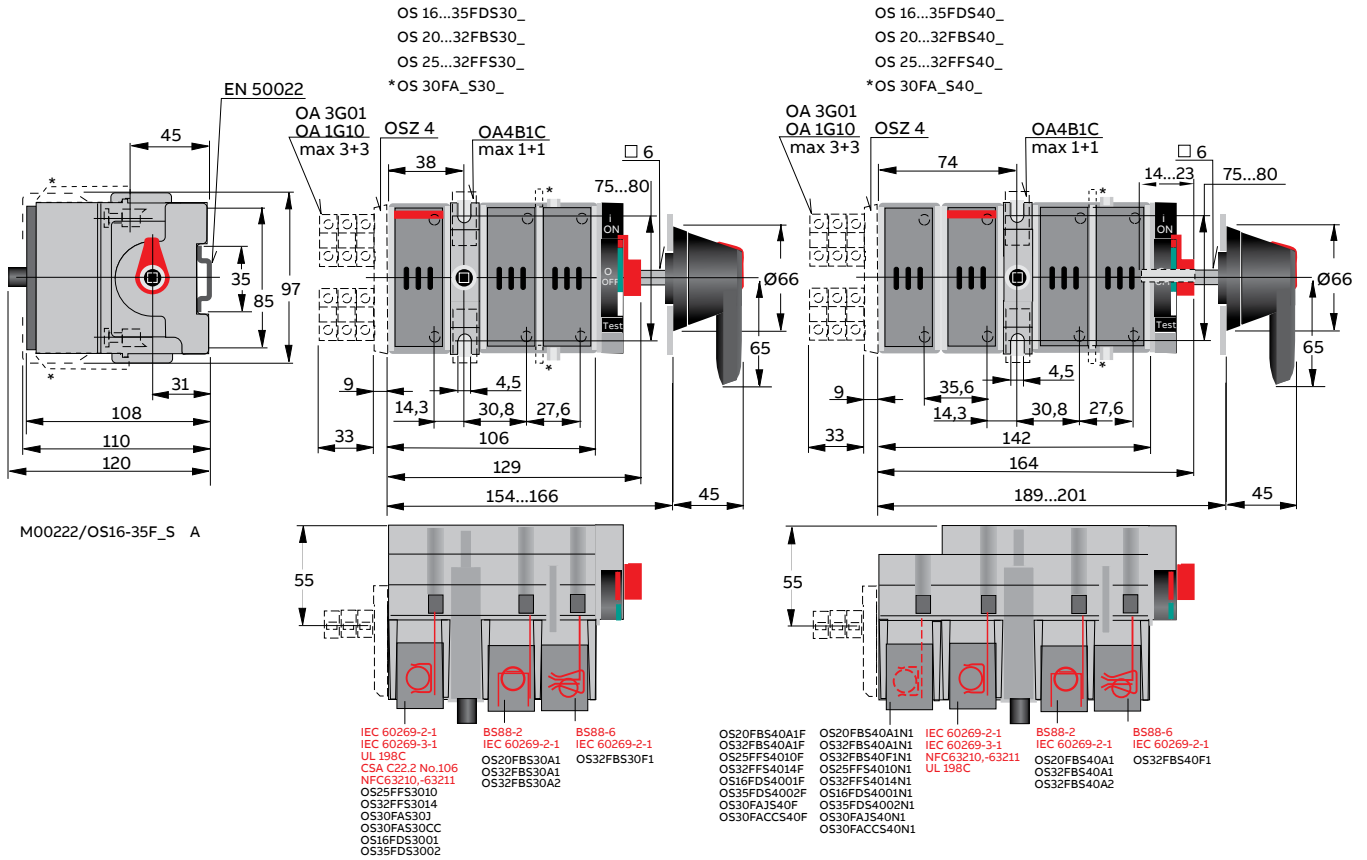
[mm/in]	L01	L02	L03	L04
A	209/8,23	319/12,56	429/16,89	539/21,22
A1	166/6,54	276/10,87	386/15,20	496/19,53
B1	196/7,72	306/12,05	416/16,38	526/20,71
C1	222/8,74	332/13,07	442/17,40	552/21,73

M00207/OS1200-1250_01-04 C

Side operated switch fuses, IEC and UL/CSA

Dimensional drawings

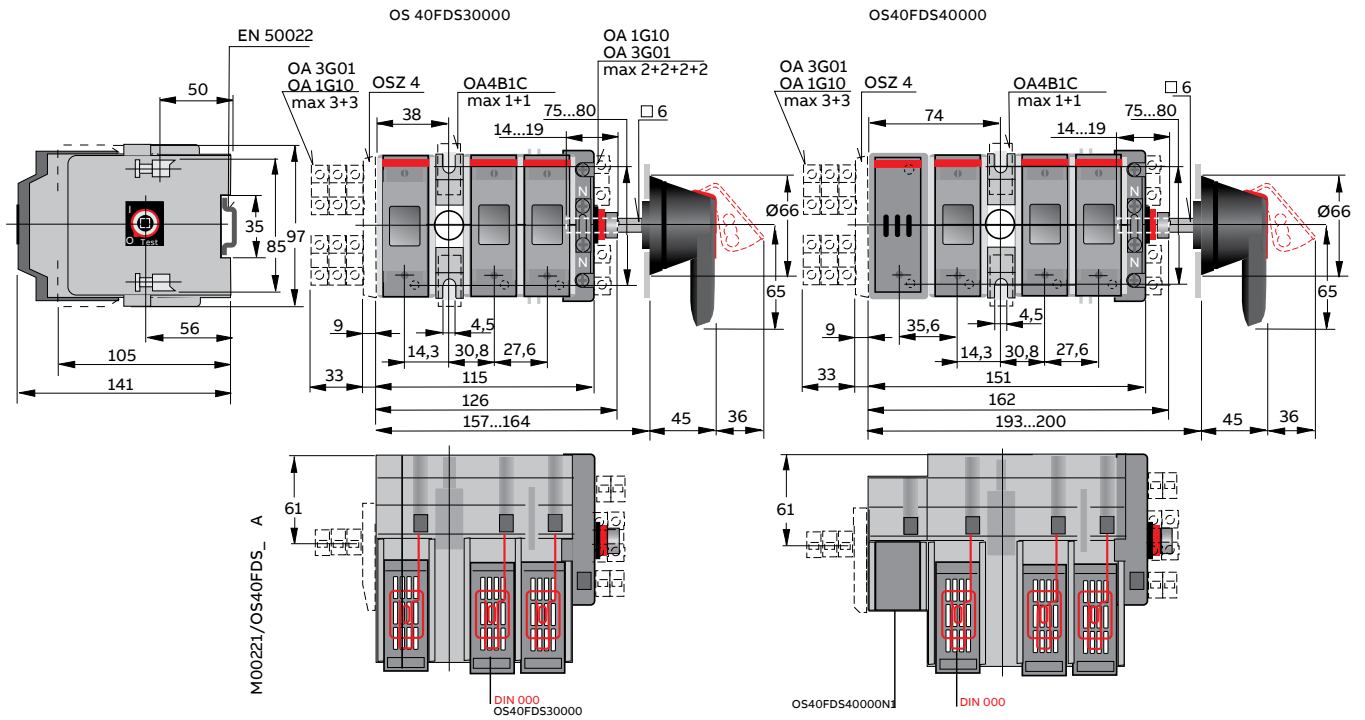
OS Mini



Side operated switch fuses, IEC and UL/CSA

Dimensional drawings

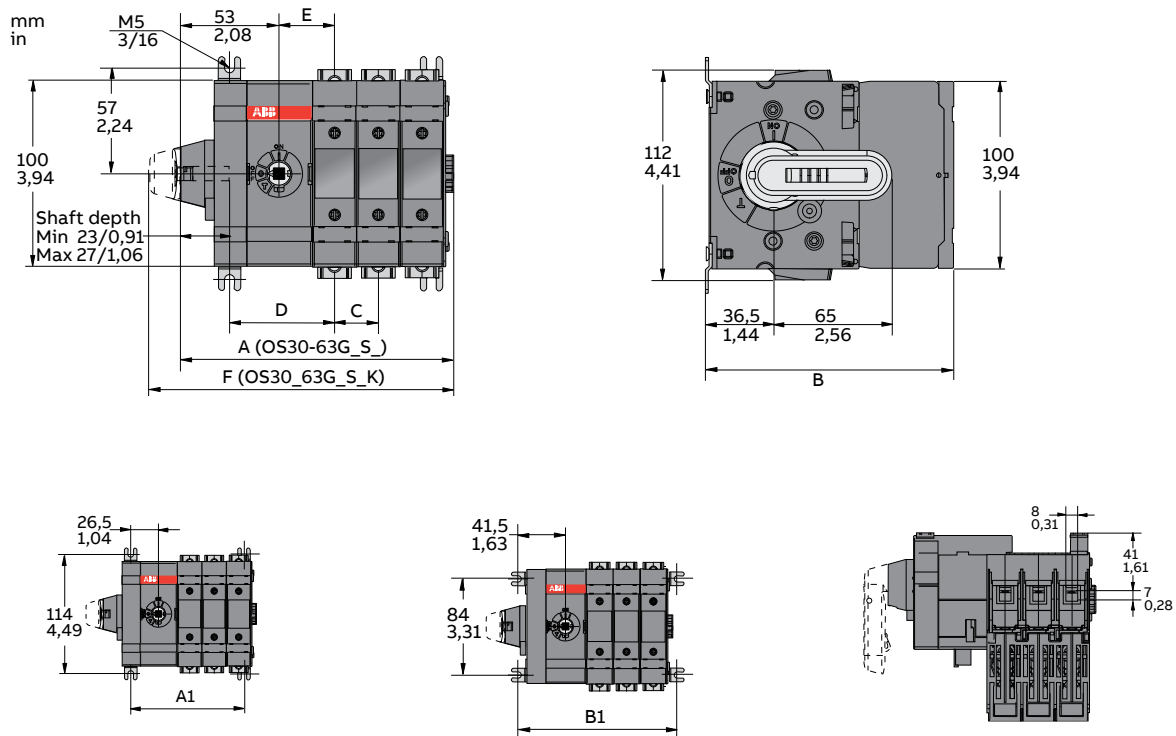
OS 40 Mini



Side operated switch fuses, IEC and UL/CSA

Dimensional drawings

OS32G...63G_S_



OS32-63G

[mm]	DS01	DS02	DS03	DS04	B/FS01	B/FS02	B/FS03	B/FS04
A	99,5	123	146,5	170	99,5	123	146,5	170
B	132,5	132,5	132,5	132,5	120,5	120,5	120,5	120,5
C	-	23,5	23,5	23,5		23,5	23,5	23,5
D	56,5	56,5	56,5	56,5	56,5	56,5	56,5	56,5
E	30	30	30	30	30	30	30	30
F	116,5	140	163,5	187	116,5	140	163,5	187
A1	61,5	85	108,5	132	61,5	85	108,5	132
B1	91,5	115	138,5	162,5	91,5	115	138,5	162,5

M0029/OS30_63G_01_04S A

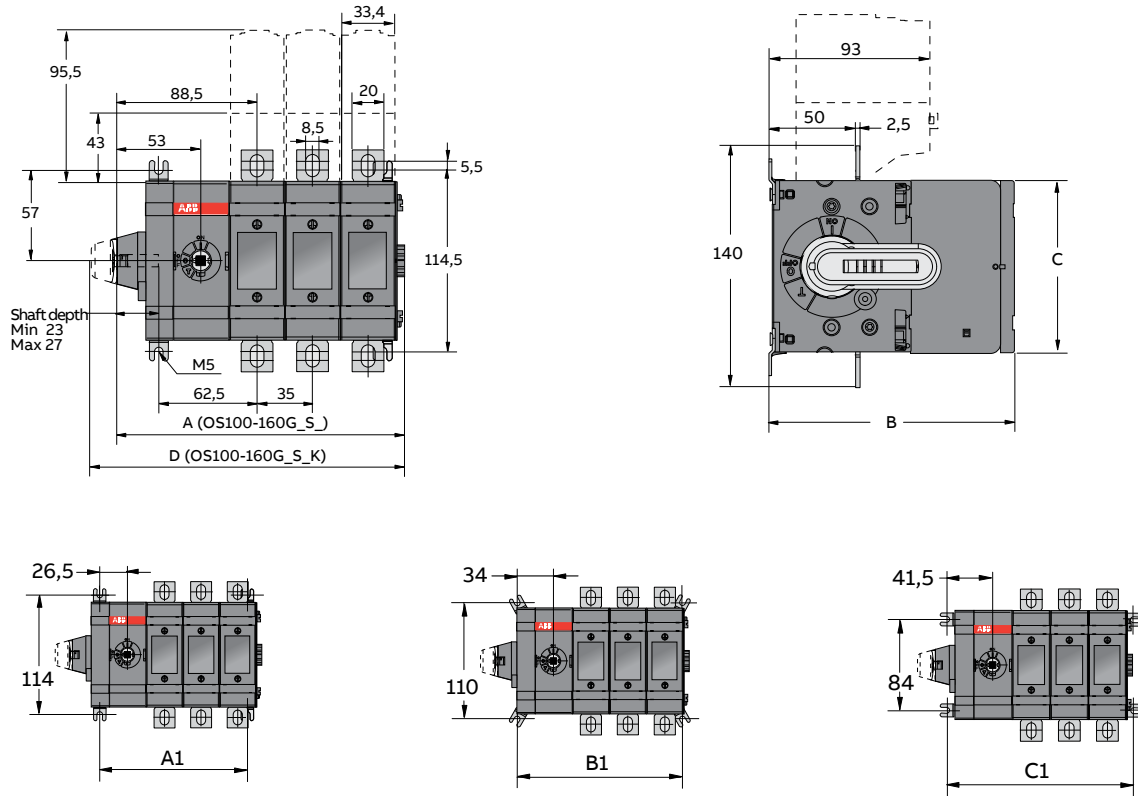
OS60G_

[mm/ in]	JS01	JS02	JS03	JS04
A	109,5/4,31	144,5/5,69	179,5/7,07	214,5/8,44
B	130/5,12	130/5,12	130/5,12	130/5,12
C	-	35/1,38	35/1,38	35/1,38
D	62/2,44	62/2,44	62/2,44	62/2,44
E	36/1,41	36/1,41	36/1,41	36/1,41
F	126,5/4,98	161,5/6,36	196,5/7,74	231,5/9,11
A1	67,5/2,66	102,5/4,04	137,5/5,41	172,5/6,79
B1	37,5/1,48	72,5/2,85	107,5/4,23	142,5/5,61

Side operated switch fuses, IEC and UL/CSA

Dimensional drawings

OS100G...160G_S_



OS100-160G_

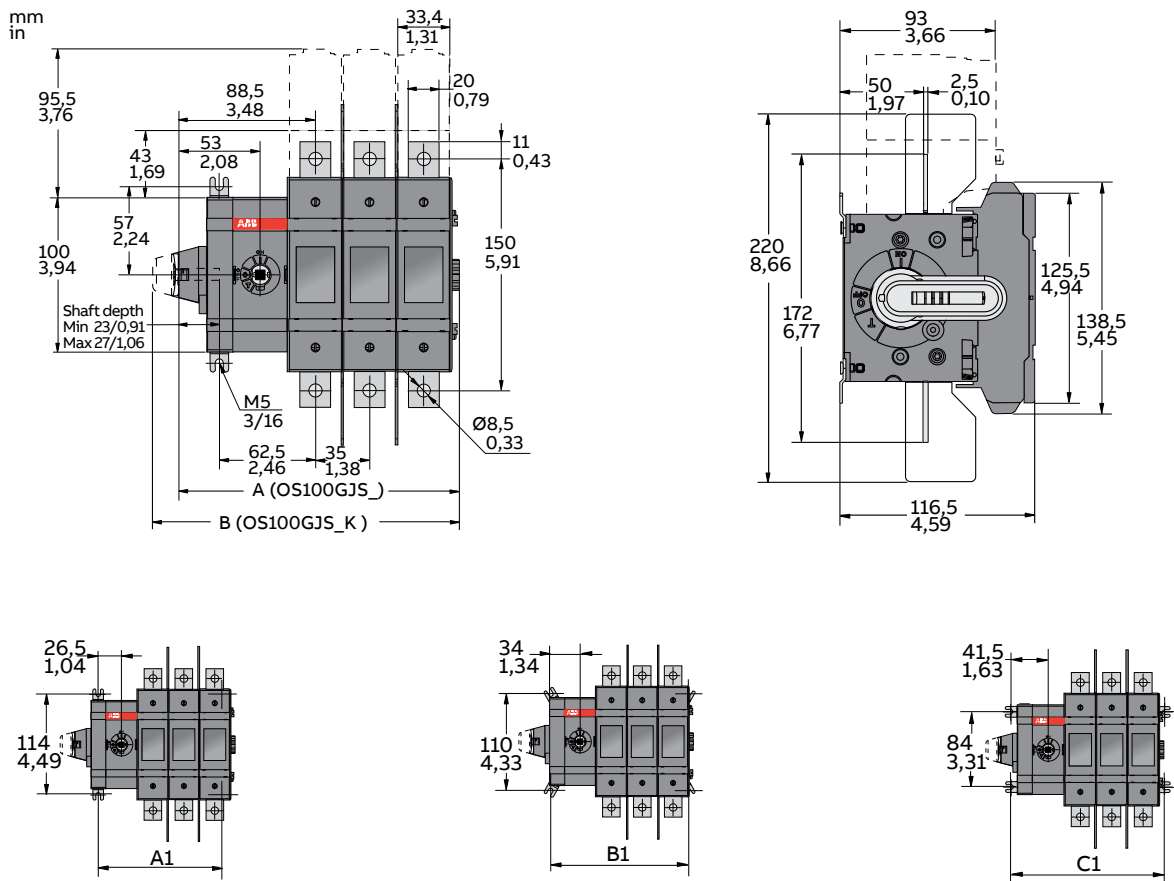
[mm]	D/F01	D/F02	D/F03	D/F04	B01	B02	B03	B04
A	111,5	146,5	181,5	216,5	111,5	146,5	181,5	216,5
142	142	142	142	142	126,5	126,5	126,5	126,5
C	100	100	100	100	118	118	118	118
D	128,5	163,5	198,5	233,5	128,5	163,5	198,5	233,5
A1	71,5	106,5	141,5	176,5	71,5	106,5	141,5	176,5
B1	86,5	121,5	156,5	191,5	86,5	121,5	156,5	191,5
C1	101,5	136,5	171,5	206,5	101,5	136,5	171,5	206,5

M00298/OS100_160G_S01_04 A

Side operated switch fuses, IEC and UL/CSA

Dimensional drawings

OS100GJS



OS100G_				
[mm/in]	JS01	JS02	JS03	JS04
A	111,5/4,39	146,5/5,77	181,5/7,15	216,5/8,52
B	128,5/5,06	163,5/6,44	198,5/7,91	233,5/9,19
A1	71,5/2,81	106,5/4,19	141,5/5,57	176,5/6,95
B1	86,5/3,41	121,5/4,78	156,5/6,16	191,5/7,54
C1	101,5/4,00	136,5/5,37	171,5/6,75	206,5/8,13

M00296/OS30_63G_01_04S A

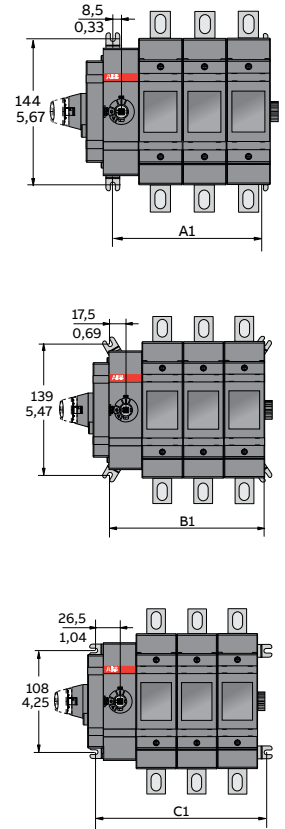
Side operated switch fuses, IEC and UL/CSA

Dimensional drawings

OS200...250_S_ (IEC only)

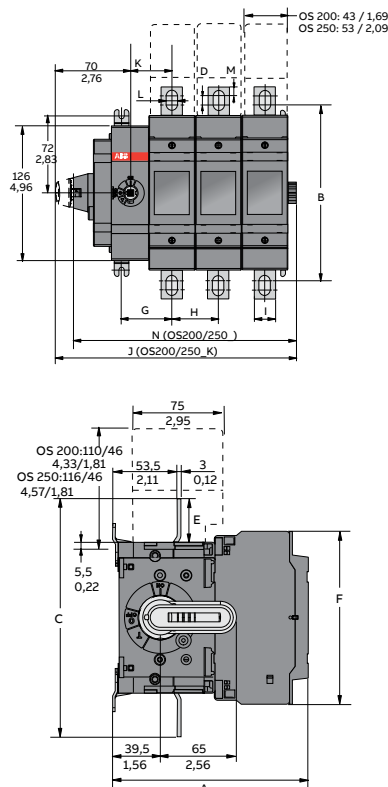
OS200_, OS200_K								
[mm/ in]	DS01	BS01	DS02	BS02	DS03	BS03	DS04	BS04
A	162,0/6,38	143,0/5,63	162,0/6,38	143,0/5,12	162,0/6,38	143,0/5,63	162,0/6,38	143,0/5,63
B	164,5/6,48	164,5/6,48	164,5/6,48	164,5/6,48	164,5/6,48	164,5/6,48	164,5/6,48	164,5/6,48
C	198,5/7,81	198,5/7,81	198,5/7,81	198,5/7,81	198,5/7,81	198,5/7,81	198,5/7,81	198,5/7,81
D	8,5/0,33	8,5/0,33	8,5/0,33	8,5/0,33	8,5/0,33	8,5/0,33	8,5/0,33	8,5/0,33
E	36,5/1,44	36,5/1,44	36,5/1,44	36,5/1,44	36,5/1,44	36,5/1,44	36,5/1,44	36,5/1,44
F	144,5/5,69	144,5/5,69	144,5/5,69	144,5/5,69	144,5/5,69	144,5/5,69	144,5/5,69	144,5/5,69
G	48,5/1,91	48,5/1,91	48,5/1,91	48,5/1,91	48,5/1,91	48,5/1,91	48,5/1,91	48,5/1,91
H	-/-	-/-	43,5/1,71	43,5/1,71	43,5/1,71	43,5/1,71	43,5/1,71	43,5/1,71
I	20,0/0,79	20,0/0,79	20,0/0,79	20,0/0,79	20,0/0,79	20,0/0,79	20,0/0,79	20,0/0,79
J	138,5/5,45	138,5/5,45	182,0/7,17	182,0/7,17	225,5/8,88	225,5/8,88	269,0/10,59	269,0/10,59
K	40,0/1,57	40,0/1,57	40,0/1,57	40,0/1,57	40,0/0,39	840,0/1,57	40,0/1,57	40,0/1,57
L	10,0/0,39	10,0/0,39	10,0/0,39	10,0/0,39	10,0/0,39	10,0/0,39	10,0/0,39	10,0/0,39
M	8,5/0,33	8,5/0,33	8,5/0,33	8,5/0,33	8,5/0,33	8,5/0,33	8,5/0,33	8,5/0,33
N	121,5/4,78	121,5/4,78	165,0/6,50	165,0/6,50	208,5/8,21	208,5/8,21	252,0/9,92	252,0/9,92
A1	60,5/2,38	60,5/2,38	104,0/4,09	104,0/4,09	147,5/5,81	147,5/5,81	191,0/7,52	191,0/7,52
B1	79,5/3,13	79,5/3,13	123,0/4,84	123,0/4,84	166,5/6,56	166,5/6,56	210,0/8,27	210,0/8,27
C1	96,5/3,80	96,5/3,80	140,0/5,51	140,0/5,51	183,5/7,22	183,5/7,22	227,0/8,94	227,0/8,94

M00153/OS200-250_S001-04_C



OS250_, OS250_K				
[mm/ in]	DS01	BS01	DS02	BS02
A	154,5/6,06	154,0/6,06	154,0/6,06	154,0/6,06
B	162,0/6,38	162,0/6,38	162,0/6,38	162,0/6,38
C	193,0/7,60	193,0/7,60	193,0/7,60	193,0/7,60
D	4,0/0,16	4,0/0,16	4,0/0,16	4,0/0,16
E	33,5/1,30	33,5/1,32	33,5/1,32	33,5/1,32
F	148,5/5,85	148,5/5,85	148,5/5,85	148,5/5,85
G	53,5/2,11	53,5/2,11	53,5/2,11	53,5/2,11
H	-/-	54,0/2,13	54,0/2,13	54,0/2,13
I	25,0/0,98	25,0/0,98	25,0/0,98	25,0/0,98
J	148,5/5,85	202,5/7,97	256,5/10,10	310,5/12,22
K	45,0/1,77	45,0/1,77	45,0/1,77	45,0/1,77
L	11,0/0,43	11,0/0,43	11,0/0,43	11,0/0,43
M	11,5/0,45	11,5/0,45	11,5/0,45	11,5/0,45
N	131,5/5,18	186,0/7,32	240,0/9,45	294,0/11,57
A1	70,5/2,78	124,5/4,90	178,5/7,03	232,5/9,15
B1	89,5/3,52	143,5/5,65	197,5/7,78	251,5/9,90
C1	106,5/4,19	214,5/8,44	268,5/10,57	322,5/12,70

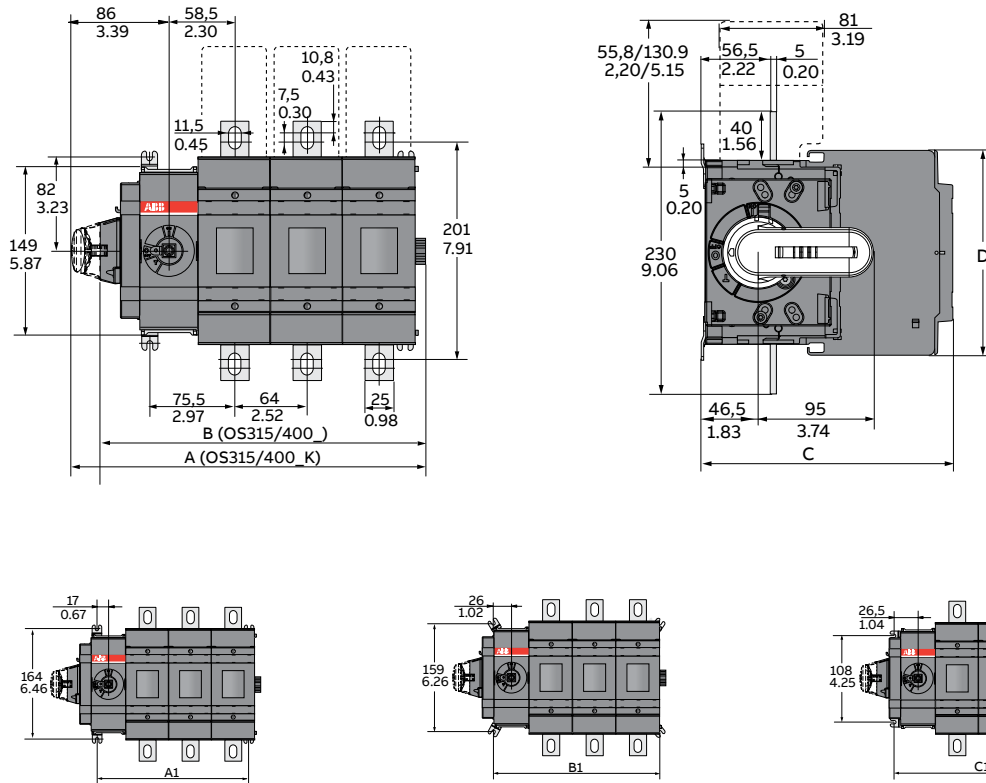
M00528/ OS60GJ11-22 A



Side operated switch fuses, IEC and UL/CSA

Dimensional drawings

OS315...400_S_



OS315, OS315_K, OS400, OS400_K				
[mm/in]	BS01/JS01	BS02/JS02	BS03/JS03	BS04/JS04
A	185,0/7,28	249,0/9,80	313,0/12,32	377,0/14,84
B	160,0/6,30	224,0/8,82	288,0/11,34	352,0/13,86
C	189,0/7,44	189,0/7,44	189,0/7,44	189,0/7,44
D	194,0/7,64	194,0/7,64	194,0/7,64	194,0/7,64
A1	98,5/3,88	162,5/6,40	226,5/8,92	290,5/11,44
B1	116,5/4,59	180,5/7,11	244,5/9,63	308,5/12,15
C1	134,5/5,30	198,5/7,81	262,5/10,33	326,5/12,85

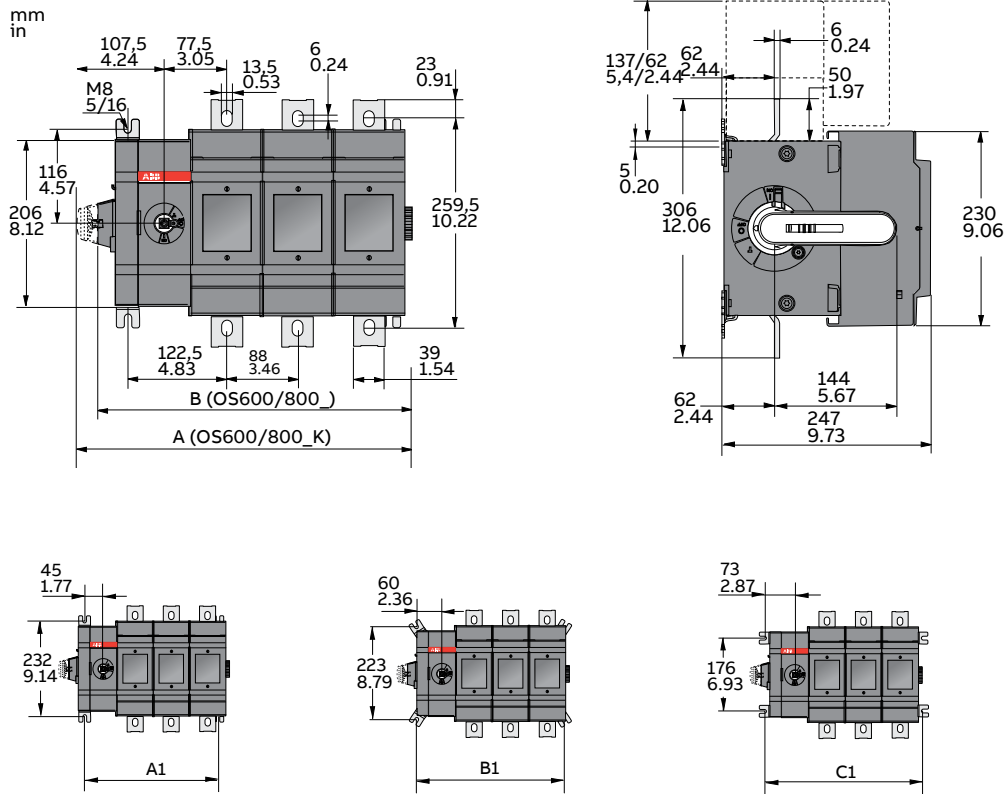
M00154/OS315-400_S01-04_C

OS400, OS400 K				
[mm/in]	DS01	DS02	DS03	DS04
A	185,0/7,28	249,0/9,80	313,0/12,32	377,0/14,84
B	160,0/6,30	224,0/8,82	288,0/11,34	352,0/13,86
C	206,0/8,12	206,0/8,12	206,0/8,12	206,0/8,12
D	166,0/6,54	166,0/6,54	166,0/6,54	166,0/6,54
A1	98,5/3,88	162,5/6,40	226,5/8,92	290,5/11,44
B1	116,5/4,59	180,5/7,11	244,5/9,63	308,5/12,15
C1	134,5/5,30	198,5/7,81	262,5/10,33	326,5/12,85

Side operated switch fuses, IEC and UL/CSA

Dimensional drawings

OS600...OS800_S_



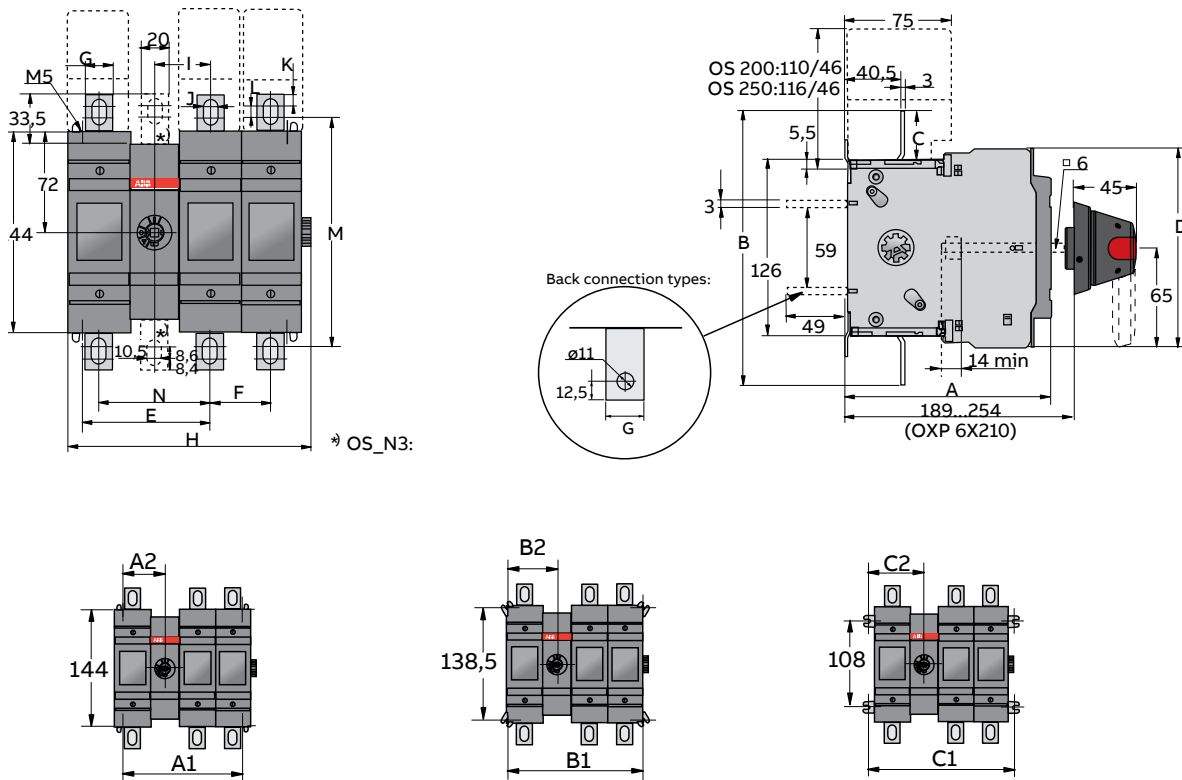
OS600/630/800_, OS600/630/800_K				
[mm/in]	DS/BS/JS01	DS/BS/JS02	DS/BS/JS03	DS/BS/JS04
A	238,0/9,38	326,0/12,84	414,0/16,31	502,0/19,78
B	213,0/8,39	301,0/11,86	389,0/15,32	477,0/18,79
A1	147,5/5,81	235,5/9,28	323,5/12,75	411,5/16,21
B1	177,5/6,99	265,5/10,46	353,5/13,93	441,5/17,39
C1	203,5/8,02	291,5/11,48	379,5/14,95	467,5/18,42

M00146/OS600-800_S01_-04_C

Special connected switch fuses

Dimensional drawings

OS200_12/22_ and OS250_12/22 (BB)



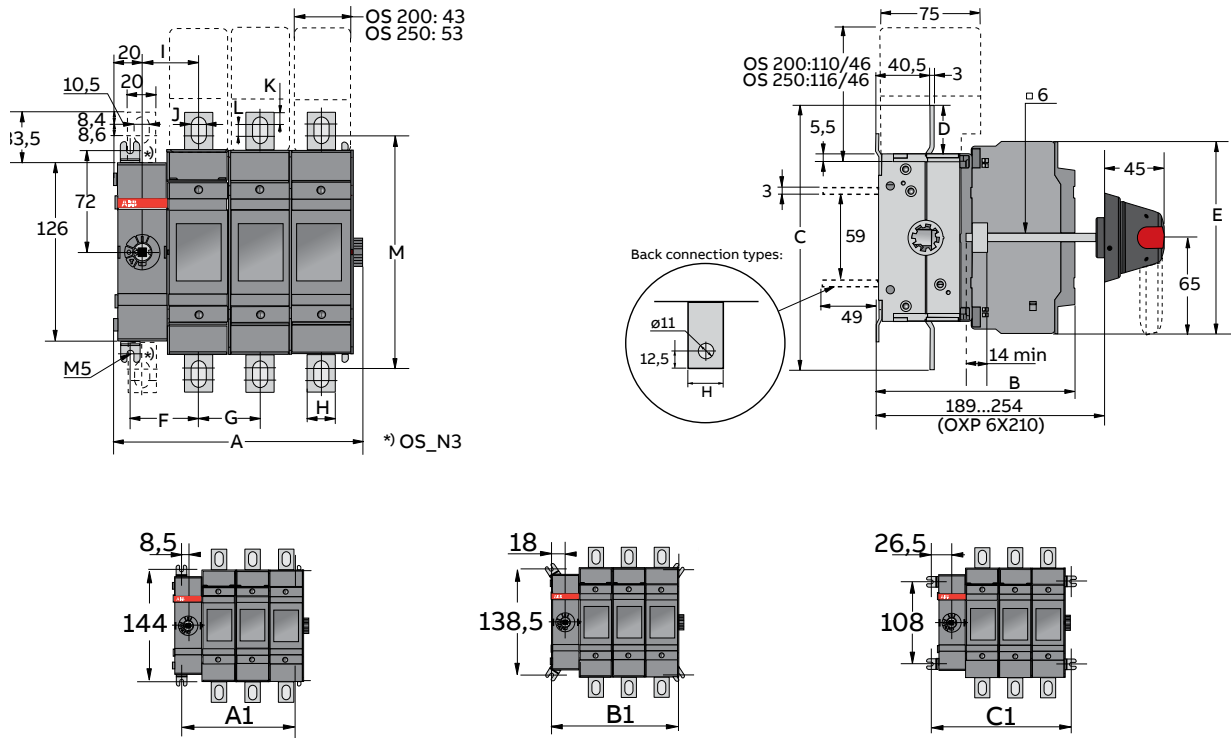
OS200								
[mm]	D11	B11	D12	B12	D13	B13	D22	B22
A	149	130	149	130	141	130	149	130
B	199	199	199	199	199	199	199	199
C	36,5	36,5	36,5	36,5	36,5	36,5	36,5	36,5
D	144,5	144,5	144,5	144,5	144,5	144,5	144,5	144,5
E	92	92	92	92	92	92	135,5	135,5
F	43,5	43,5	43,5	43,5	43,5	43,5	43,5	43,5
G	20	20	20	20	20	20	20	20
H	132	132	175,5	175,5	219	219	219	219
I	40	40	40	40	40	40	40	40
J	10	10	10	10	10	10	10	01
K	8,4	8,4	8,4	8,4	8,4	8,4	8,4	8,4
L	8,6	8,6	8,6	8,6	8,6	8,6	8,6	8,6
M	165	165	165	165	165	165	165	165
N	80	80	80	80	80	80	80	80
A1	104	104	147,5	147,5	191	191	191	191
A2	52	52	52	52	52	52	95,5	95,5
B1	123	123	166,5	166,5	210	210	210	210
B2	61,5	61,5	61,5	61,5	61,5	61,5	105	105
C1	140	140	183,5	183,5	227	227	227	227
C2	70	70	70	70	70	70	113,5	113,5

OS250				
[mm]	D11	D12	D13	D22
A	154	154	154	154
B	193	193	193	193
C	33,5	33,5	33,5	33,5
D	148,5	148,5	148,5	148,5
E	112,5	112,5	112,5	161
F	54	54	54	54
G	25	25	25	25
H	152	206	260	260
I	45	45	45	45
J	11	11	11	11
K	11,5	11,5	11,5	11,5
L	4	4	4	4
M	162	162	162	162
N	90	90	90	90
A1	124	178	232	232
A2	62	62	62	116
B1	143	197	251	251
B2	71,5	71,5	71,5	125,5
C1	160	214	268	268
C2	80	80	80	134

Special connected switch fuses

Dimensional drawings

OS200_03/04_ and OS250_03/04 (BB)



OS200_BB_

[mm]	D01	B01	D02	B02	D03	B03	D04	B04
A	89,5	89,5	133	133	176,5	176,5	220	220
B	149	130	149	130	149	130	149	149
C	198,5	198,5	198,5	198,5	198,5	198,5	198,5	198,5
D	36,5	36,5	36,5	36,5	36,5	36,5	36,5	36,5
E	144,5	144,5	144,5	144,5	144,5	144,5	144,5	144,5
F	48,5	48,5	48,5	48,5	48,5	48,5	48,5	48,5
G	-	-	43,5	43,5	43,5	43,5	43,5	43,5
H	20	20	20	20	20	20	20	20
I	40	40	40	40	40	40	40	40
J	10	10	10	10	10	10	10	01
K	8,4	8,4	8,4	8,4	8,4	8,4	8,4	8,4
L	8,6	8,6	8,6	8,6	8,6	8,6	8,6	8,6
M	164,5	164,5	164,5	164,5	164,5	164,5	164,5	164,5
A1	60,5	60,5	104	104	147,5	147,5	191	191
B1	79,5	79,5	123	123	166,5	166,5	210	210
C1	96,5	96,5	140	140	183,5	183,5	227	227

M00008/OS200_250_01_04 K / M07023

OS250_BB_

[mm]	D01/ B01	D02/ B02	D03/ B03	D04/ B04
A	99,5	153,5	207,5	261,5
B	154	154	154	154
C	193	193	193	193
D	33,5	33,5	33,5	33,5
E	148,5	148,5	148,5	148,5
F	53,5	53,5	53,5	53,5
G	-	54	54	54
H	25	25	25	25
I	45	45	45	45
J	11	11	11	11
K	11,5	11,5	11,5	11,5
L	4	4	4	4
M	162	162	162	162
A1	70,5	124,5	178,5	232,5
B1	89,5	143,5	197,5	251,5
C1	106,5	160,5	214,5	268,5



HANJIN SHIPPING

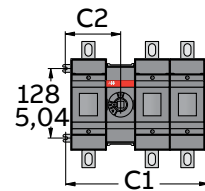
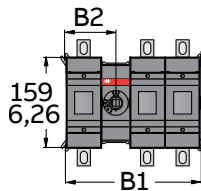
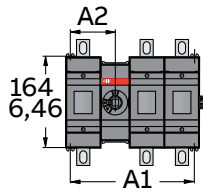
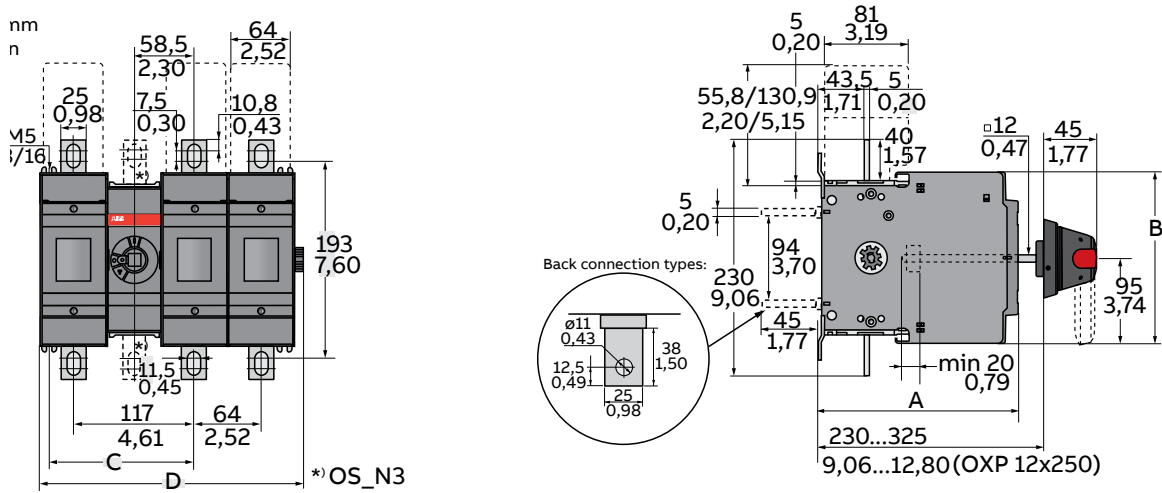
HANJIN SW

COSCO

Special connected switch fuses

Dimensional drawings

OS315_12/22_ and OS400_12/22 (BB)



OS315-400_BB_					
[mm]	B11	B12	B13	B21	B22
A	176	176	176	176	176
B	194	194	194	194	194
C	140	140	140	204	204
D	190	254	318	254	318

OS400_BB_					
[mm]	D11	D12	D13	D21	D22
A	193	193	193	193	193
B	166	166	166	166	166
C	140	140	140	204	204
D	190	254	318	254	318

OS315_BB_					
[mm]	B11	B12	B21	B22	B13
A1	163	227	227	291	291
A2	81,5	81,5	145,5	145,5	81,5
B1	181	245	245	309	309
B2	90,5	90,5	154,5	154,5	90,5
C1	199	263	263	327	327
C2	99,5	99,5	163,5	163,5	99,5

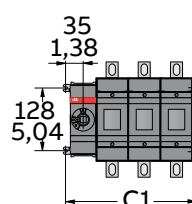
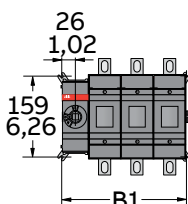
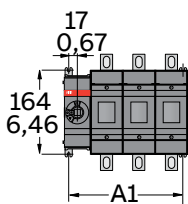
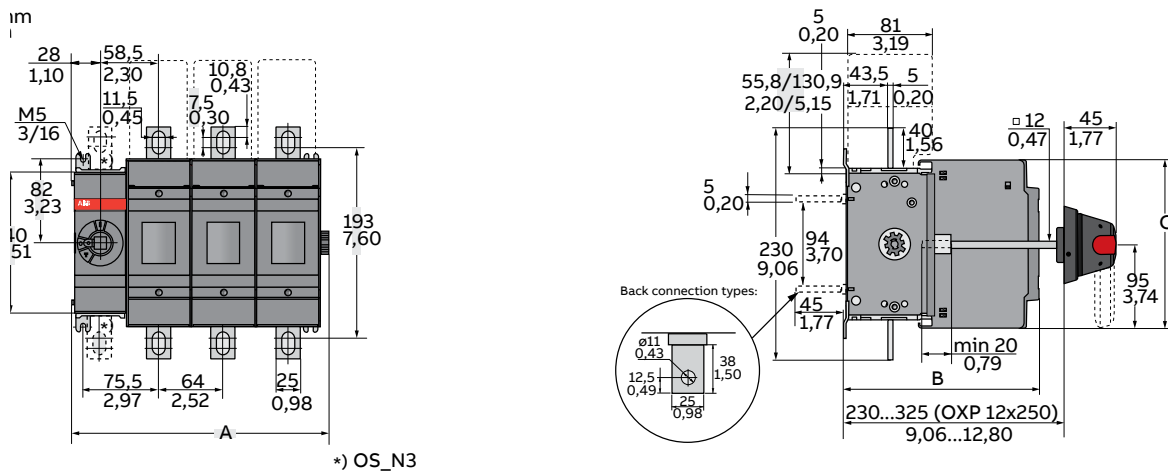
OS400_BB_					
[mm]	B11/ D11	B12/ D12	B21/ D21	B22/ D22	B13/ D13
A1	163	227	227	291	291
A2	81,5	81,5	145,5	145,5	81,5
B1	181	245	245	309	309
B2	90,5	90,5	154,5	154,5	90,5
C1	199	263	263	327	327
C2	99,5	99,5	163,5	163,5	99,5

C000011/OS315-400_11_DD D/M07024

Special connected switch fuses

Dimensional drawings

OS315_03/04_ and OS400_03/04 (BB)



OS315 - 400_BB_				
[mm]	B01	B02	B03	B04
A	127	191	255	319
B	176	176	176	176
C	194	194	194	194

OS400_BB_				
[mm]	D01	D02	D03	D04
A	127	191	255	319
B	193	193	193	193
C	166	166	166	166

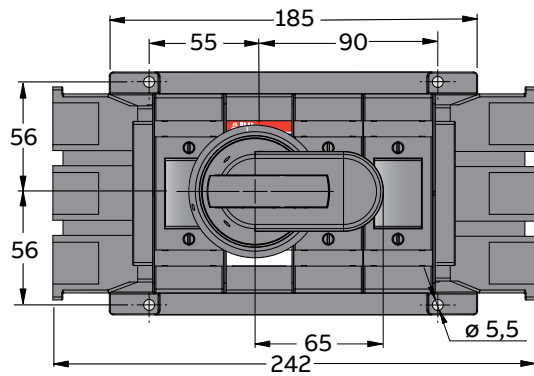
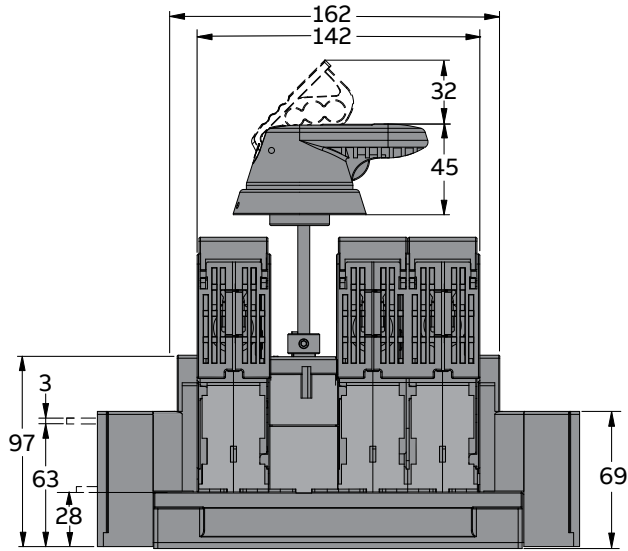
OS315_BB_				
[mm]	B01	B02	B03	B04
A1	98,5	162,5	226,5	290,5
B1	116,5	180,5	244,5	308,5
C1	134,5	198,5	262,5	326,5

OS400_BB_				
[mm]	B01/ D01	B02/ D02	B03/ D03	B04/ D04
A1	98,5	162,5	226,5	290,5
B1	116,5	180,5	244,5	308,5
C1	134,5	198,5	262,5	326,5

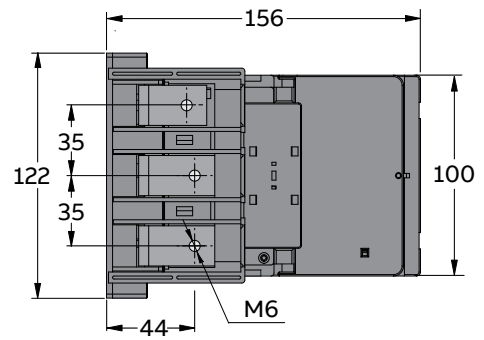
Special connected switch fuses

Dimensional drawings

OS125G...160GD12LR (LR)



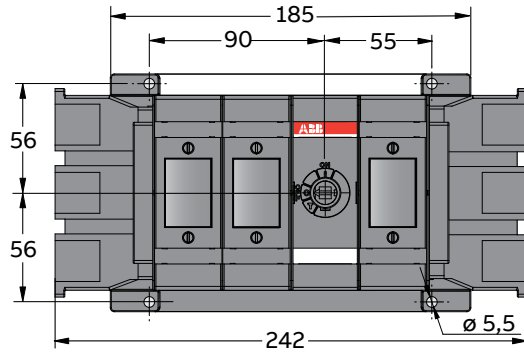
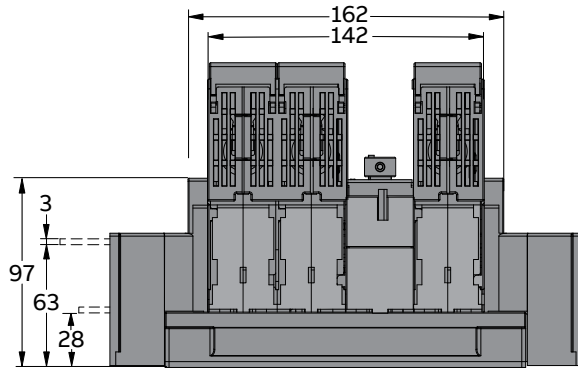
M00364/OS160GD12LR_B



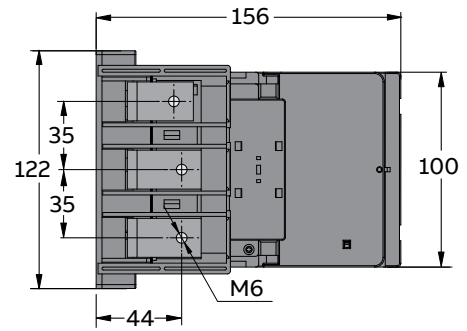
Special connected switch fuses

Dimensional drawings

OS125G...160GD21LR (LR)



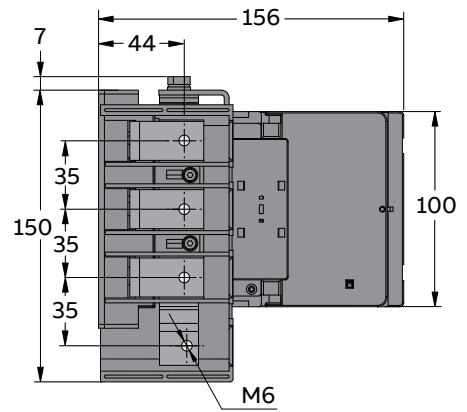
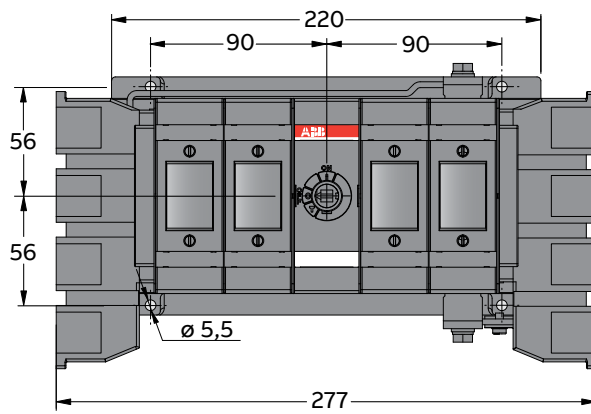
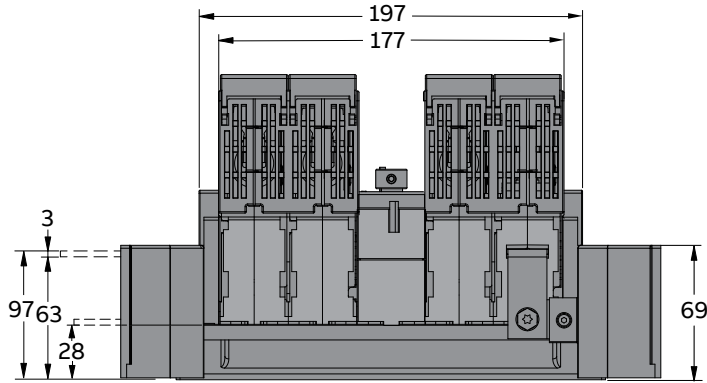
M00365/OS160GD21LR_A



Special connected switch fuses

Dimensional drawings

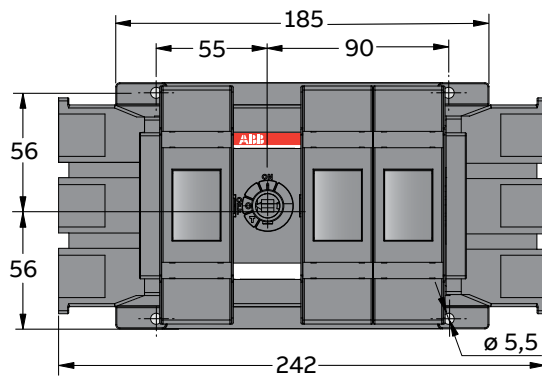
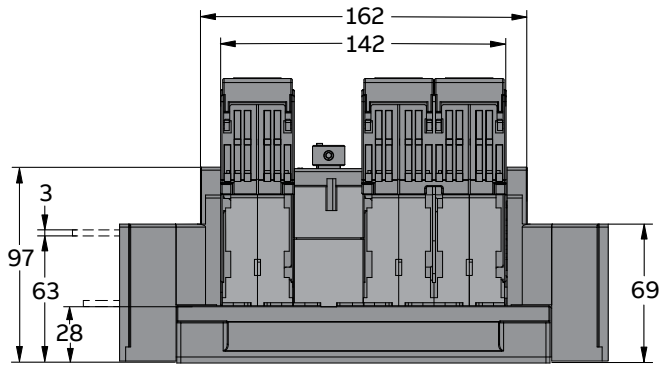
OS125G...160GD22LR (LR)



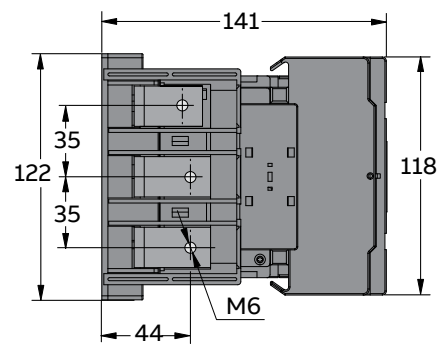
Special connected switch fuses

Dimensional drawings

OS125G...160GB12LR (LR)



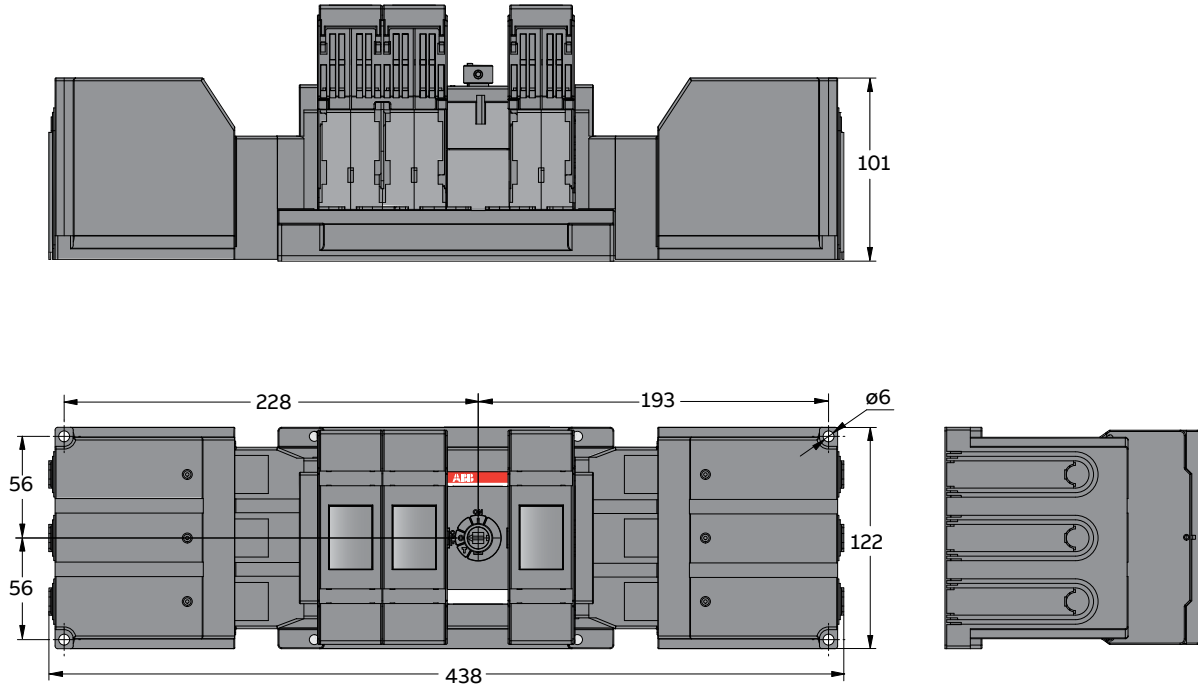
M00361/OS160GB12LR_A



Special connected switch fuses

Dimensional drawings

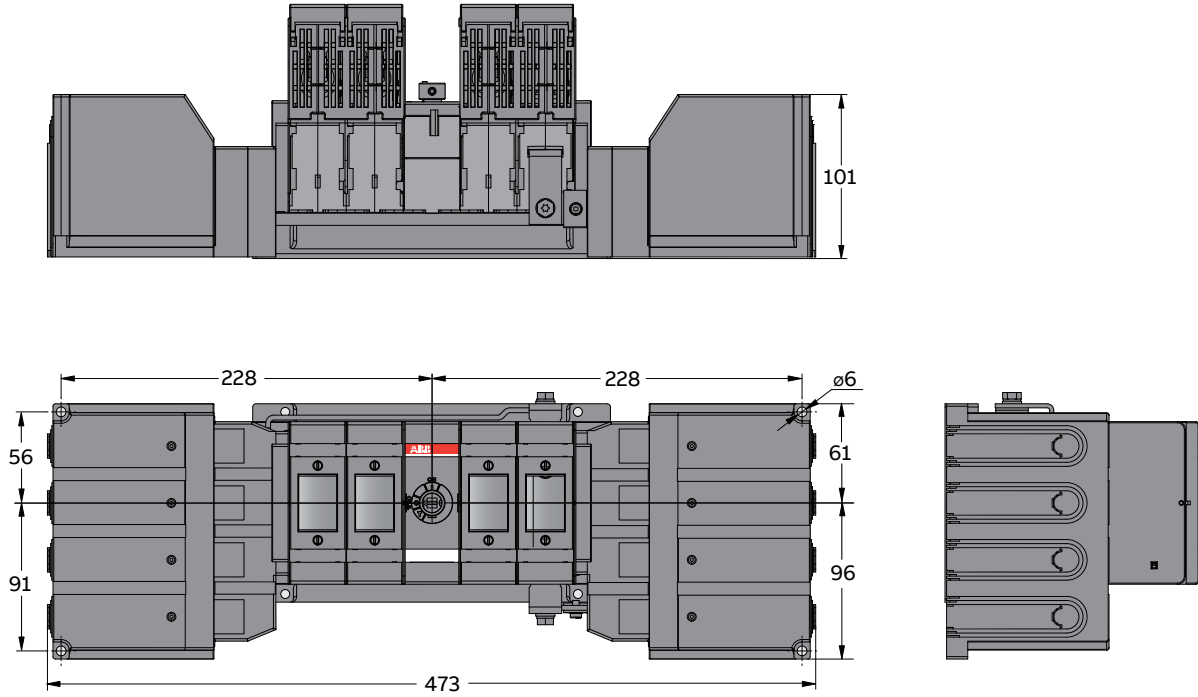
OS125G...160G_21LR + OSS160G^G_T3LS



Special connected switch fuses

Dimensional drawings

OS125G...160G_22LR + OSS160G^G_T4LS

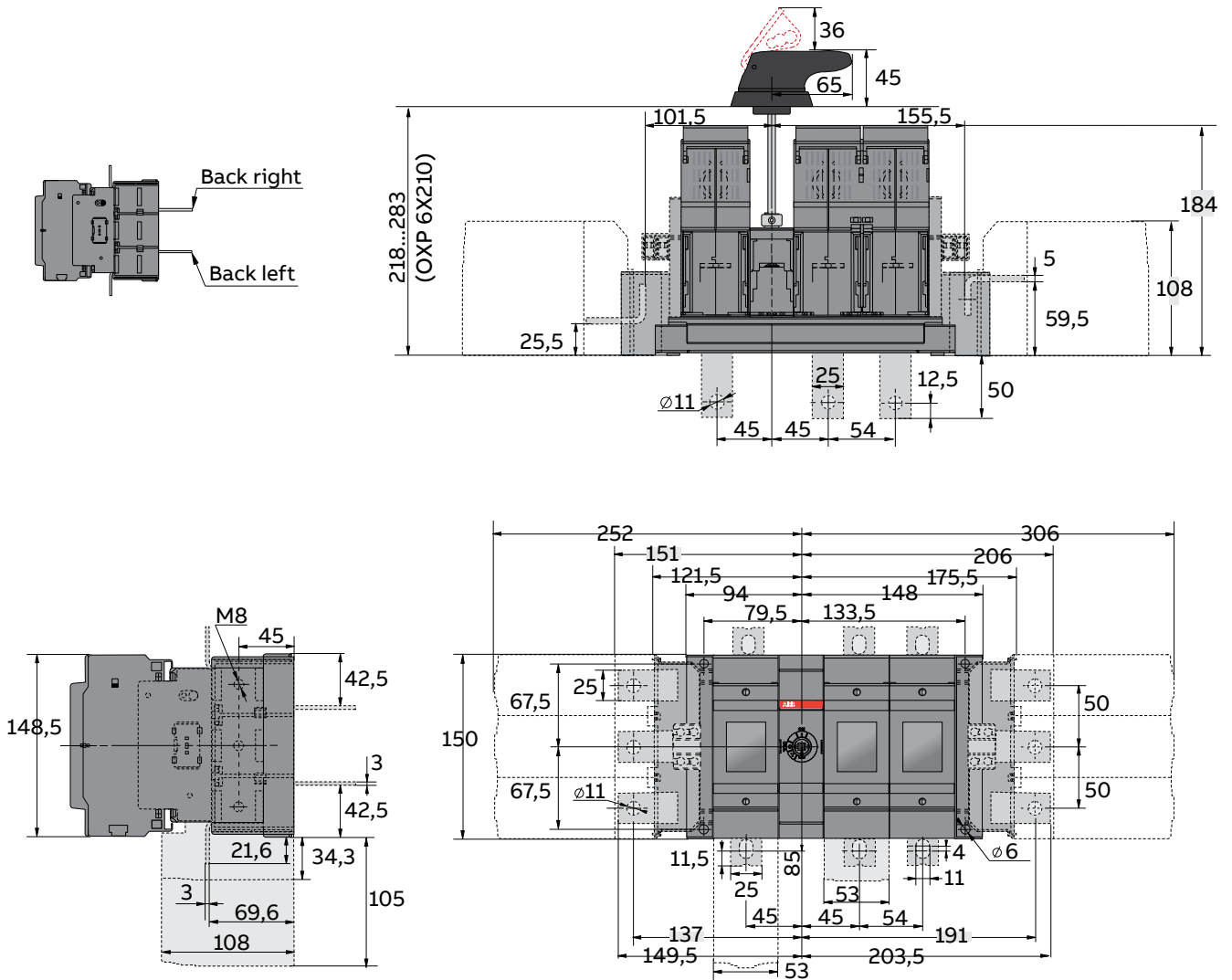


Special connected switch fuses

Dimensional drawings

OS200B12_ and OS250_12_ (LR)

OS200B...250_LR, 3-pole
OS200B12LR
OS250B12LR
OS250D12LR
M00120/OS250_12BL-BR B/ M07026

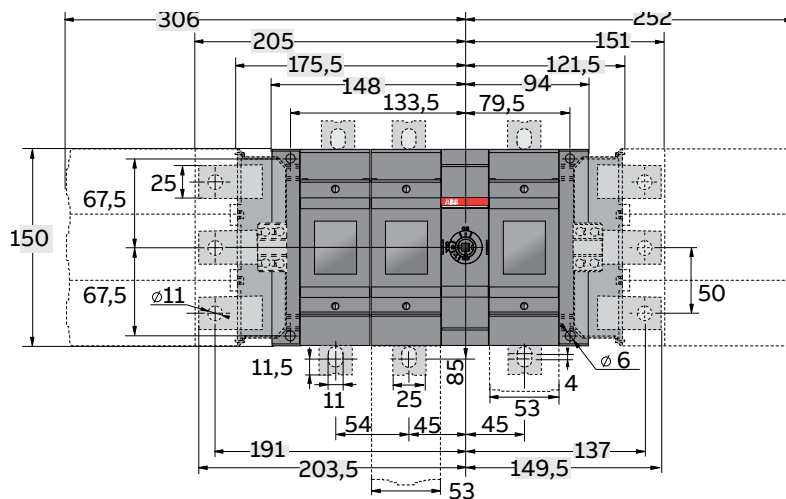
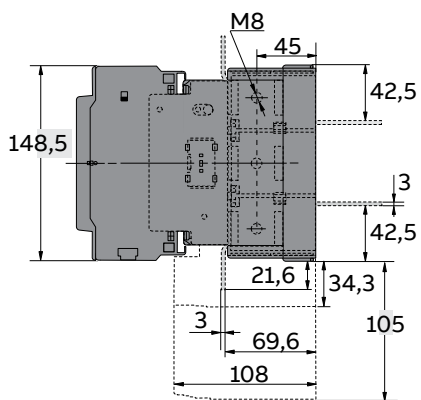
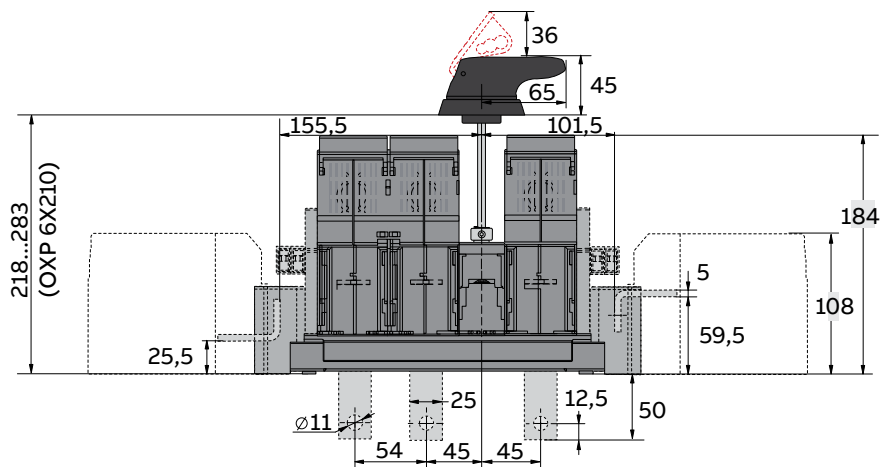
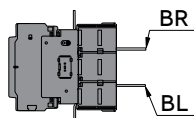


Special connected switch fuses

Dimensional drawings

OS200B21_ and OS250_21_ (LR)

OS200B...250_LR, 3-pole
OS200B21LR
OS250B21LR
OS250D21LR
M00119/OS250_21BD-BR B/ M07027



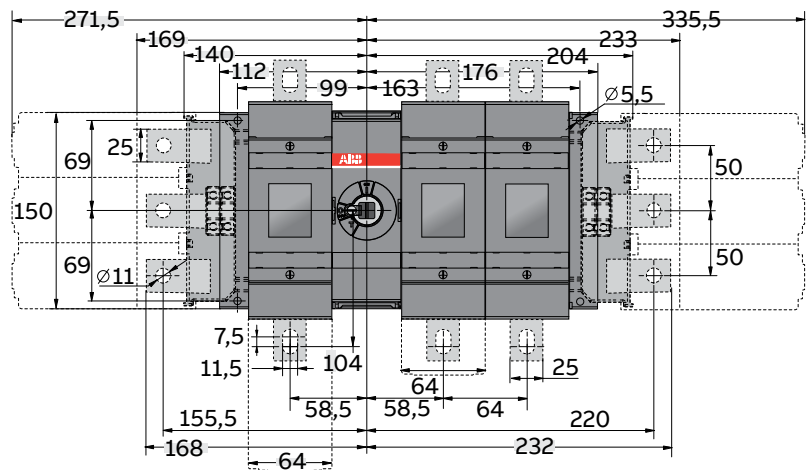
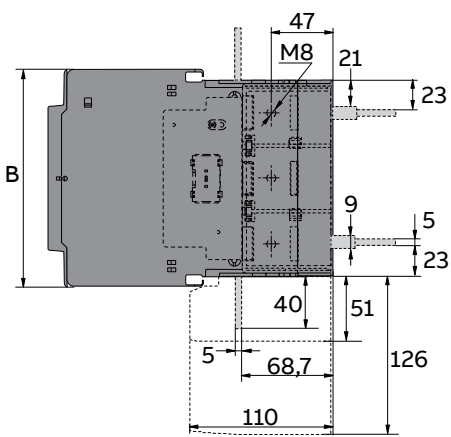
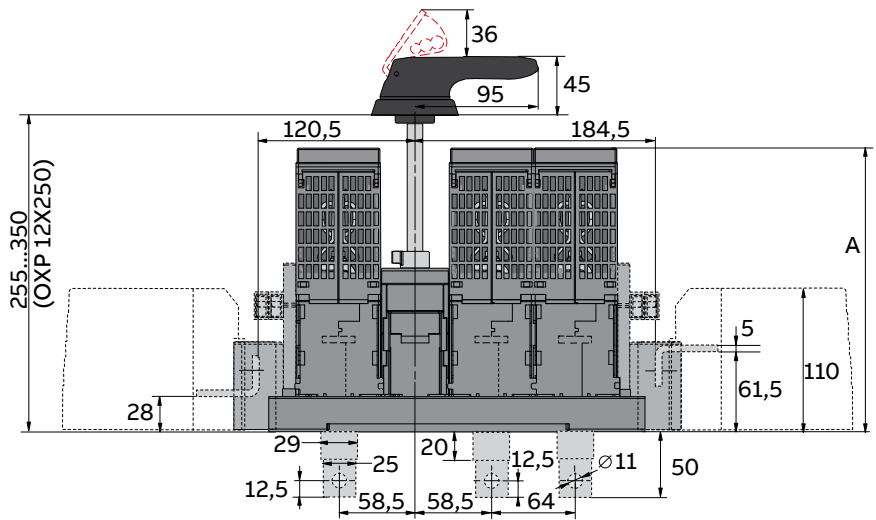
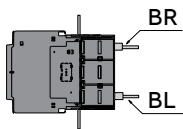
Special connected switch fuses

Dimensional drawings

OS315B12_ and OS400_12_ (LR)

OS315B...400_LR		
	A	B
OS315B12LR	201	194
OS400B12LR	201	194
OS400D12LR	218	166

M00130/OS400_12BL-BR C/M070028



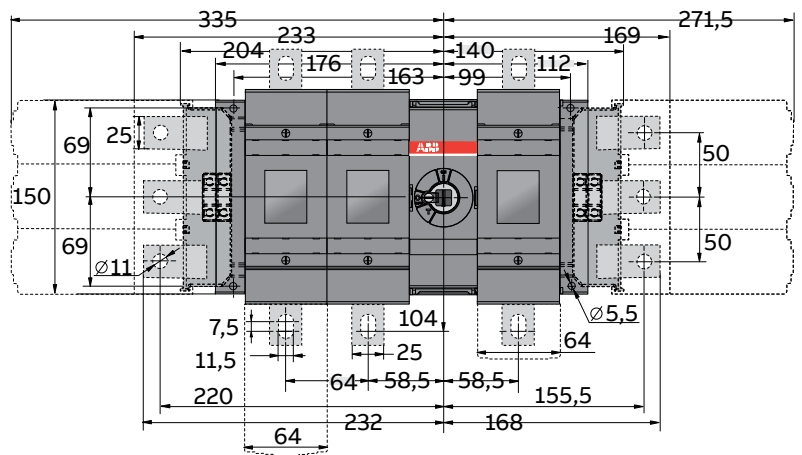
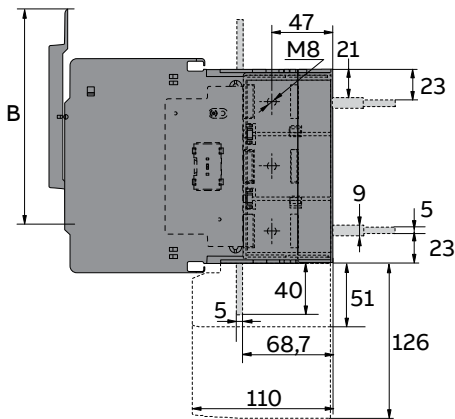
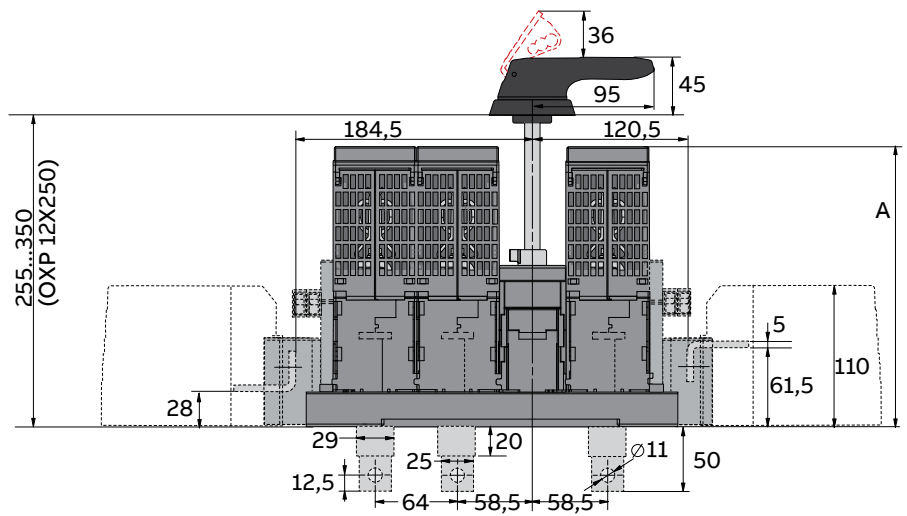
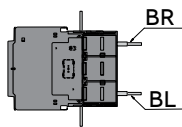
Special connected switch fuses

Dimensional drawings

OS315B21_ and OS400_21_ (LR)

OS315B...400_LR		
	A	B
OS315B21LR	201	194
OS400B21LR	201	194
OS400D21LR	218	166

M00127/OS400_21BL-BR C/M070029



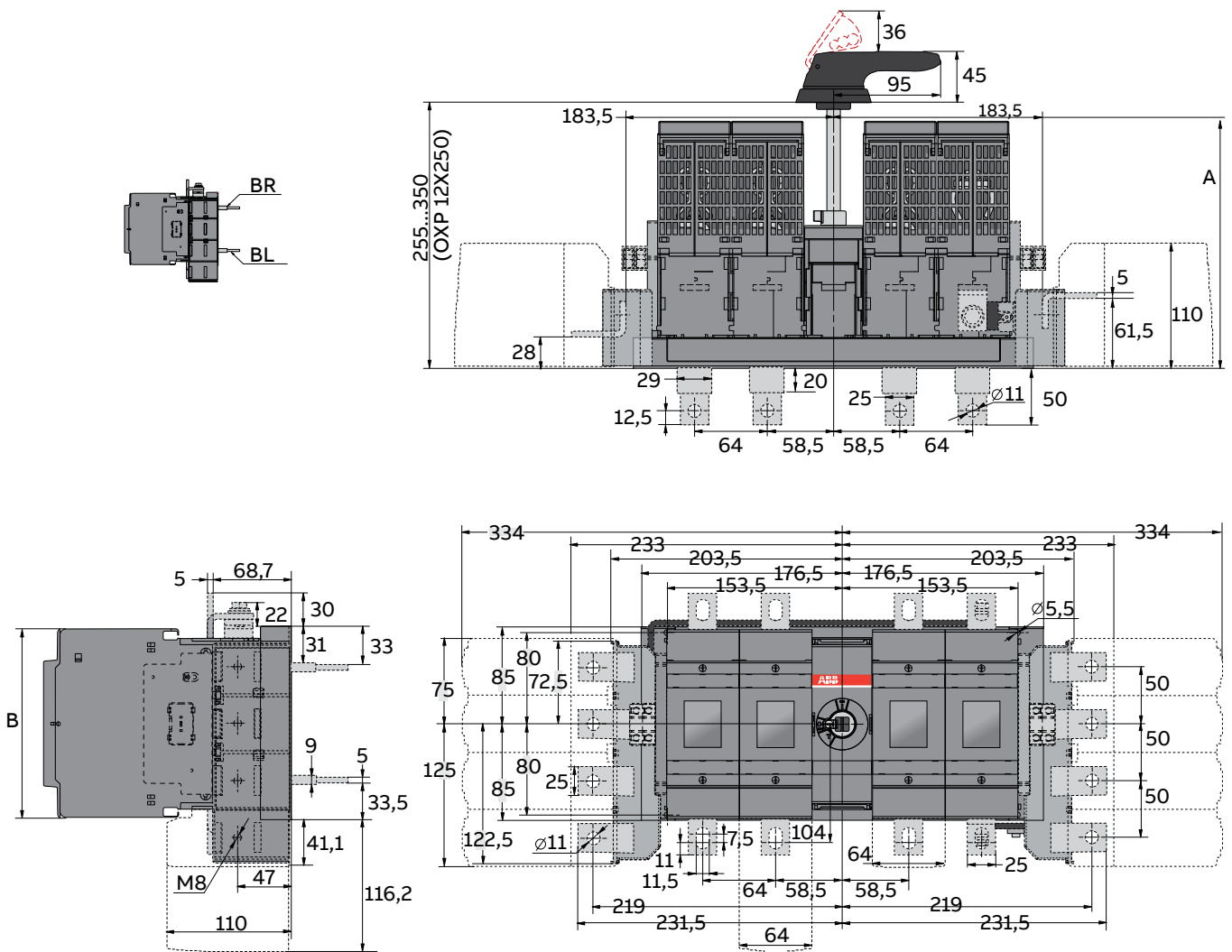
Special connected switch fuses

Dimensional drawings

OS315B22_N2 and OS400_22_N2 (LR)

OS315B...400_LR		
	A	B
OS315B22LR	201	194
OS400B22LR	201	194
OS400D22LR	218	166

M00126/OS400_22BL-BRN2 C/M07030



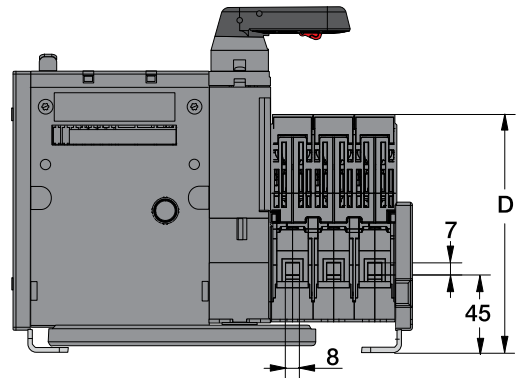
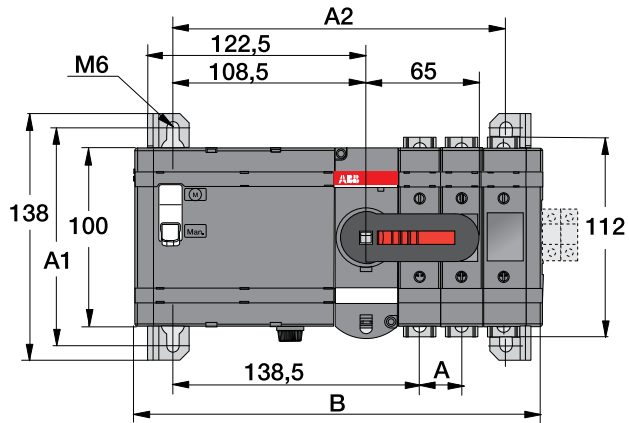
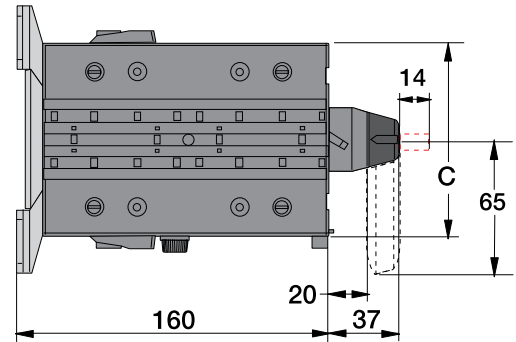
Motorized switch fuses

Dimensional drawings

OSM32...63_M_

OSM32-63_M_				
[mm]	D3	D4	B3	B4
A	23,5	23,5	23,5	23,5
A1	122	122	122	122
A2	187,5	211	187,5	211
B	229	252,5	229	252,5
C	100	100	100	100
D	136,5	136,5	124,5	124,5

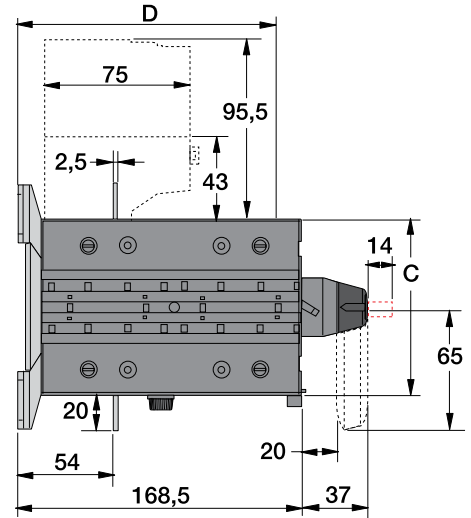
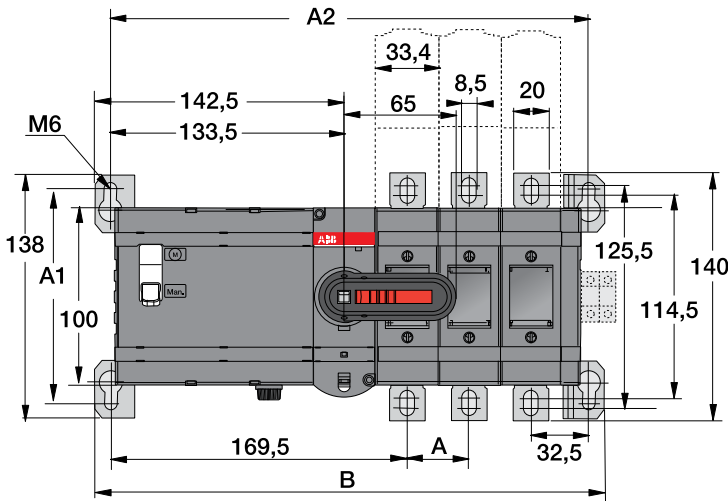
M00293/OSM32-63-M A



Motorized switch fuses

Dimensional drawings

OSM100...160_M_



OSM100-160_M-

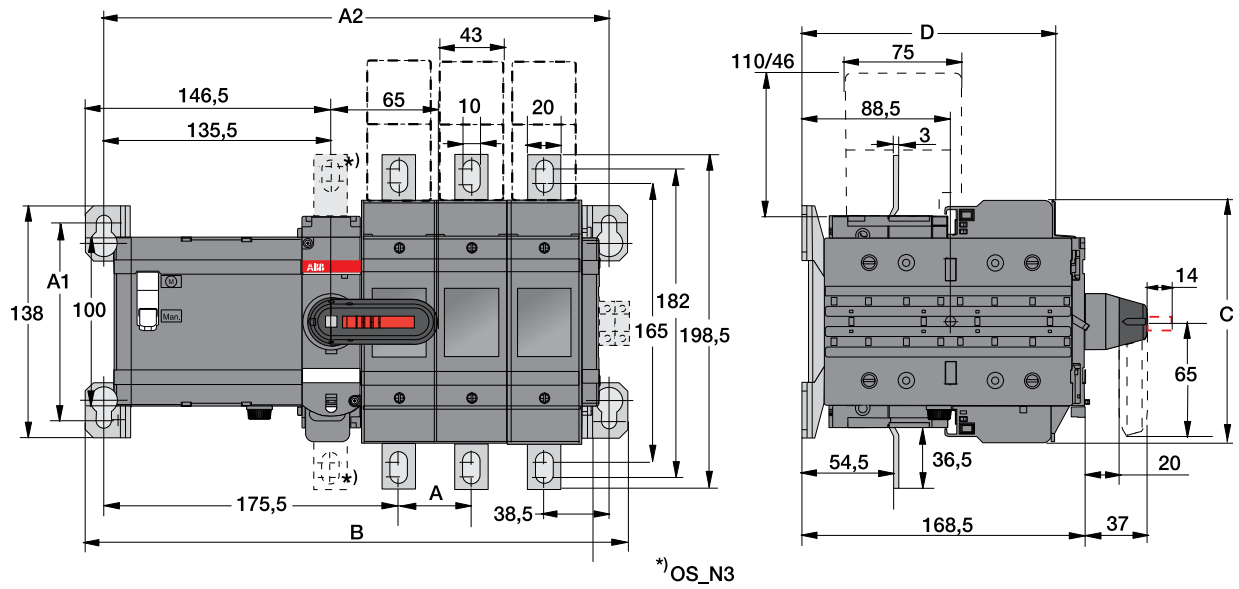
[mm]	D/F3	D/F4	B3	B4
A	35	35	35	35
A1	122	122	122	122
A2	272	307	272	307
B	290	325	290	325
C	100	100	118	188
D	146	146	130,5	130,5

M00294/OSM100-160-M A

Motorized switch fuses

Dimensional drawings

OSM200_M_



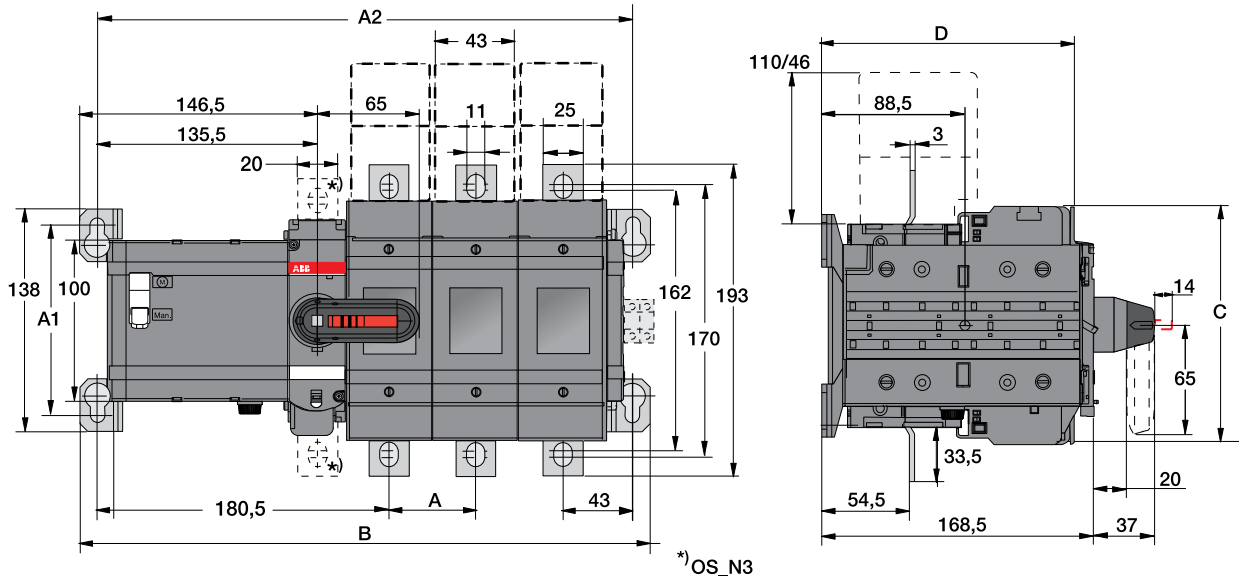
OSM200_M_				
[mm]	B3	B4	D3	D4
A	43,5	43,5	43,5	43,5
A1	118	118	118	118
A2	301,5	345	301,5	345
B	323,5	367	323,5	367
C	144,5	144,5	144,5	144,5
D	132	132	151	151

M001997 OSM200-M B

Motorized switch fuses

Dimensional drawings

OSM250_M_



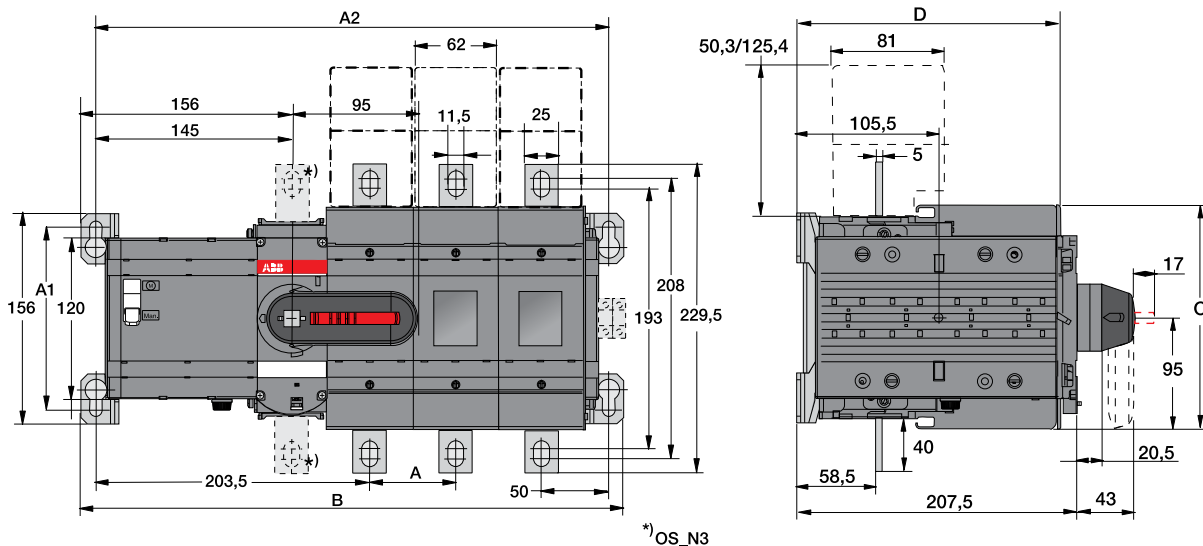
OSM250_M_		
[mm]	D3/B3	D4/B4
A	54	54
A1	118	118
A2	332	386
B	354	408
C	148,5	148,5
D	156	156

M00198 / OSM250-M B

Motorized switch fuses

Dimensional drawings

OSM315...400_M_



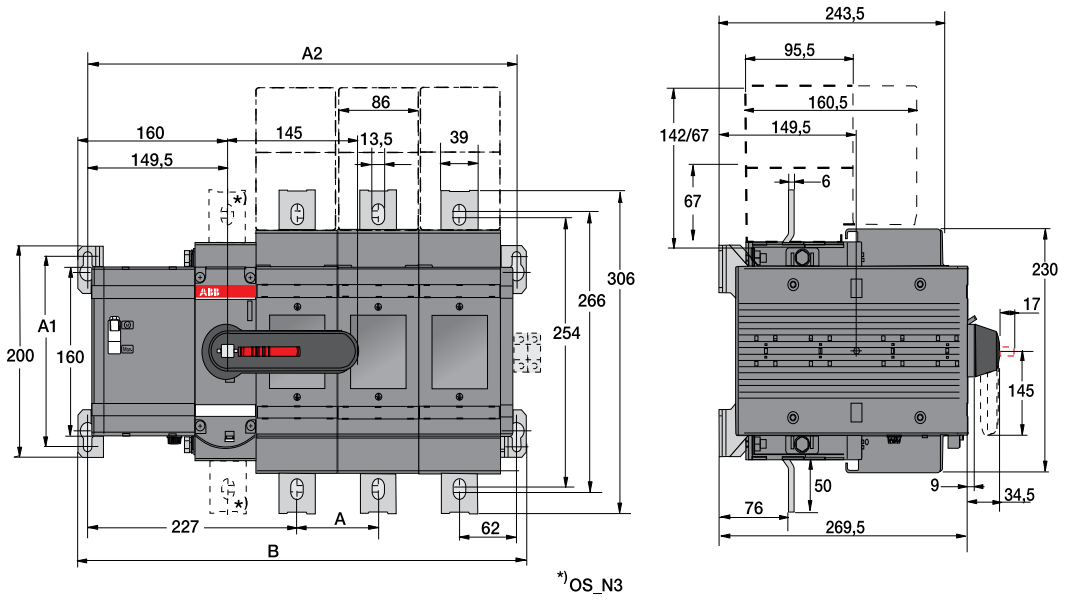
OSM315_M_		
[mm]	B3	B4
A	64	64
A1	136	136
A2	382	446
B	404	468
C	194	194
D	178,5	178,5

OSM400_M_				
[mm]	B3	B4	D3	D4
A	64	64	64	64
A1	136	136	136	136
A2	382	446	382	446
B	404	468	404	468
C	194	194	166	166
D	178,5	178,5	196,5	196,5

Motorized switch fuses

Dimensional drawings

OSM630...800_M_



OSM630-800_M_

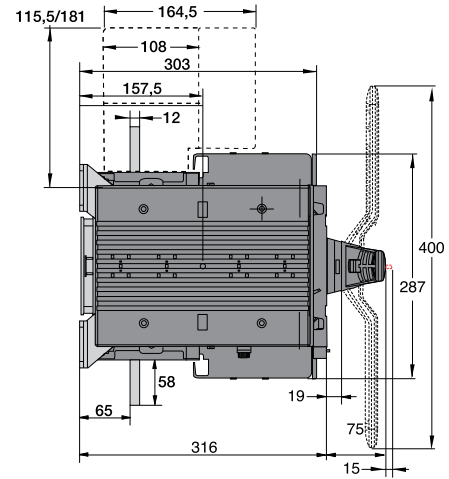
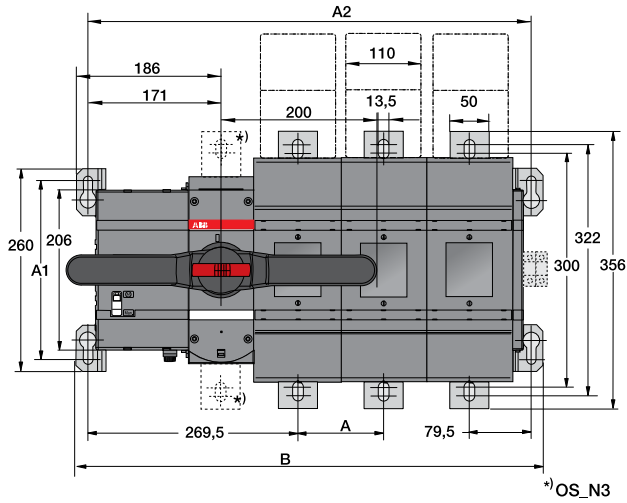
[mm]	D3/B3	D4/B4
A	88	88
A1	180	180
A2	465,5	553,5
B	486,5	574,5

M00206 / OSM639-800-M B

Motorized switch fuses

Dimensional drawings

OSM1250_M_



OSM1250_M_

[mm]	B3/D3	B4/D4
A	110	110
A1	230	230
A2	569,5	679,5
B	599,5	709,5

M00238 / OSM1250-M C

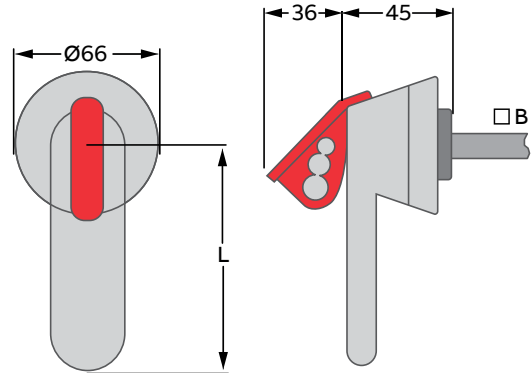
Accessories for switch fuses 20...1250 A

Dimensional drawings for handles

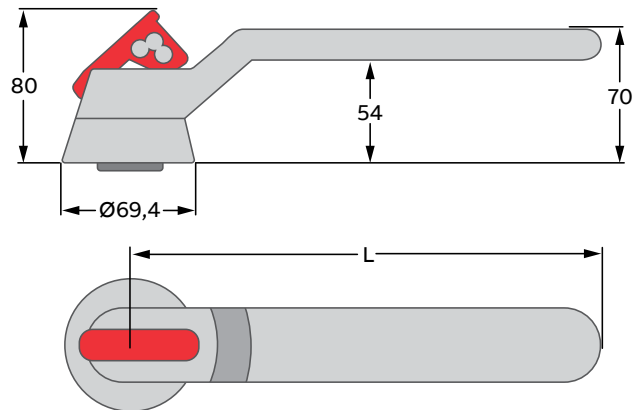
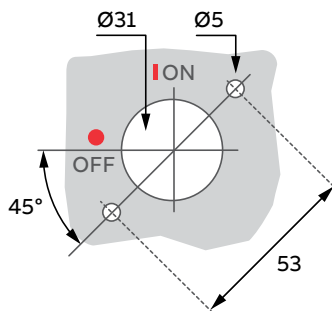
Plastic handles

Handle type [mm]	Shaft diameter B	Length L
OH_45J6	6	45
OH_65J6	6	65
OH_95J12	12	95
OH_125J12	12	125
OH_145J12	12	145
OH_175J12	12	175
OH_275J12	12	275

Handle type [mm]	Length L
OH_274J12	274
OH_330J12	330



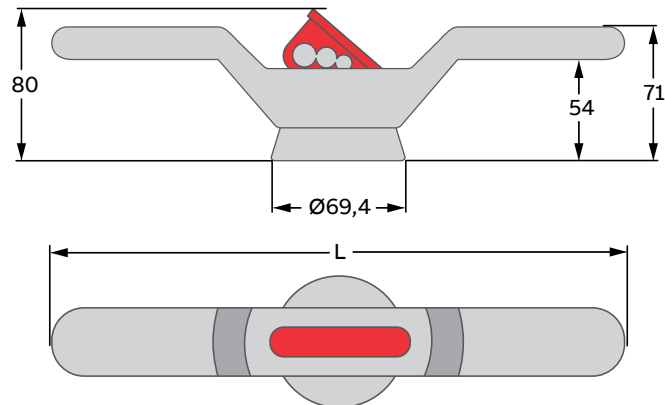
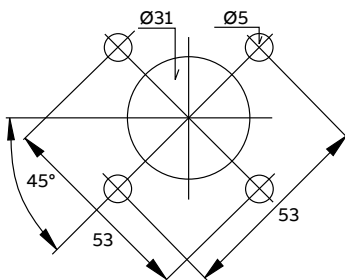
Door drilling for OH_handles:



Plastic handles, type OHB

Handle type [mm]	Length L
OHB150J12P	300
OHB200J12P	400

Door drilling for OHB_handles:



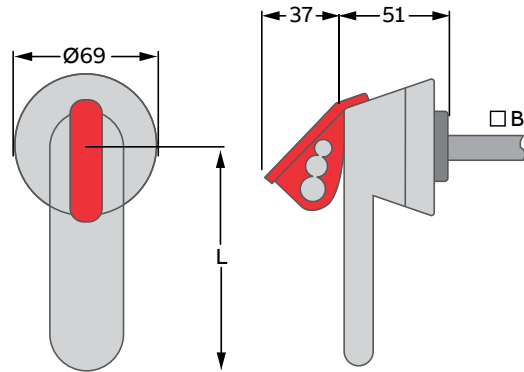
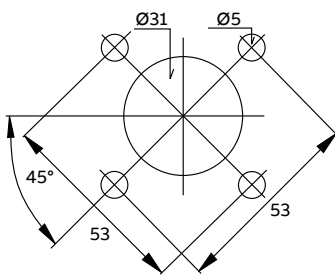
Accessories for switch fuses 20...1250 A

Dimensional drawings for handles

Stainless steel handles

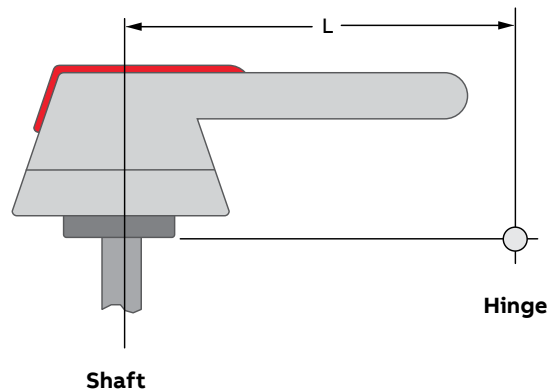
Handle type	B shaft diameter [mm]	Length L [mm]
OHM45L6	6	45
OHM65L6	6	65
OHM125L12	12	125
OHM175L12	12	175
OHM275L12	12	275

Door drilling for OHM_ handles:



Minimum distance L between the hinge and the rotating shaft

Sizes [A]	Length L [mm]	Handle type
30...250	60	OH_65J6
315...400	95	OH_95J12
630...800	150	OH_125J12, OH_145J12
630...800	175	OH_175J12
630...800	275	OH_275J12
1200...1250	274	OH_274J12
1200...1250	330	OH_330J12



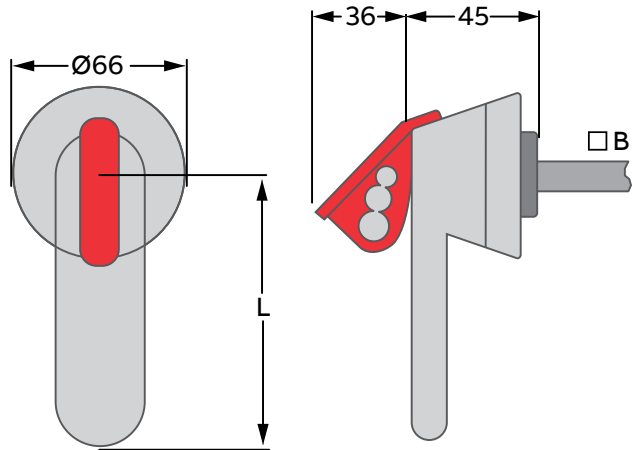
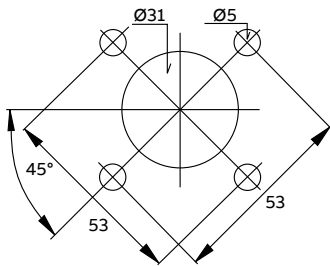
Accessories for switch fuses 20...1250 A

Dimensional drawings for handles

Plastic handles

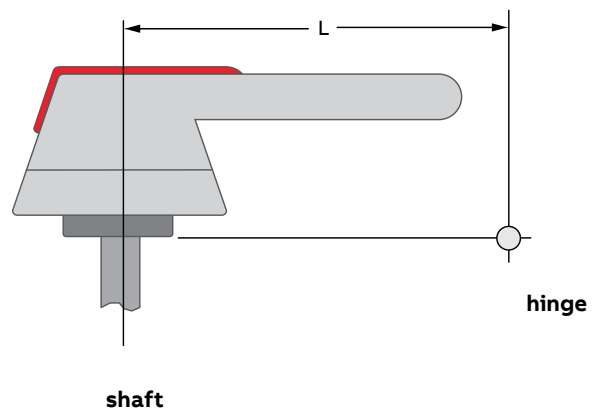
Handle type [mm]	Shaft diameter B	Length L
OH_45J6	6	45
OH_65J6	6	65
OH_80J6	6	80

Door drilling for OHM_handles:



Minimum distance L between the hinge and the rotating shaft

Sizes [A]	Length L [mm]	Handle type
30...250	60	OH_65J6

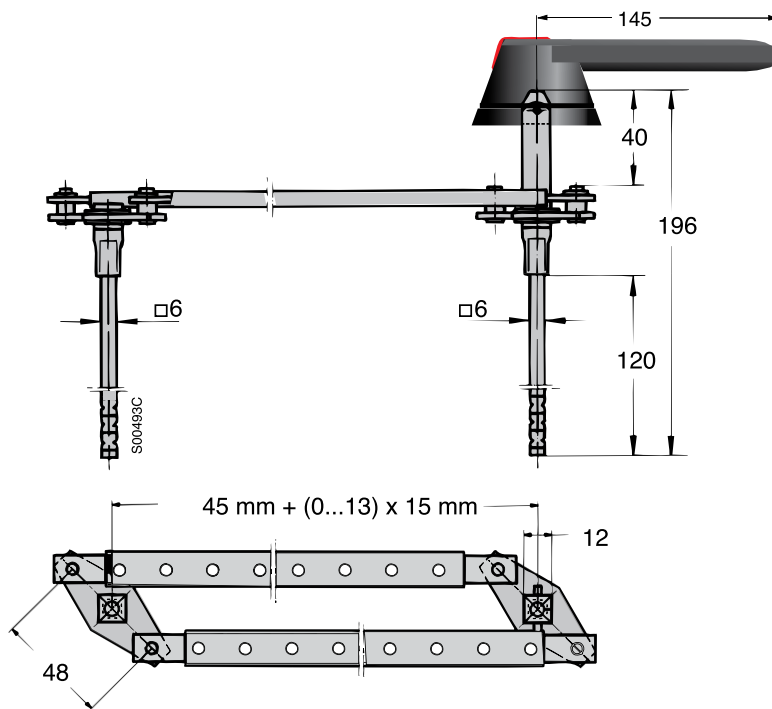


Accessories for switch fuses 20...1250 A

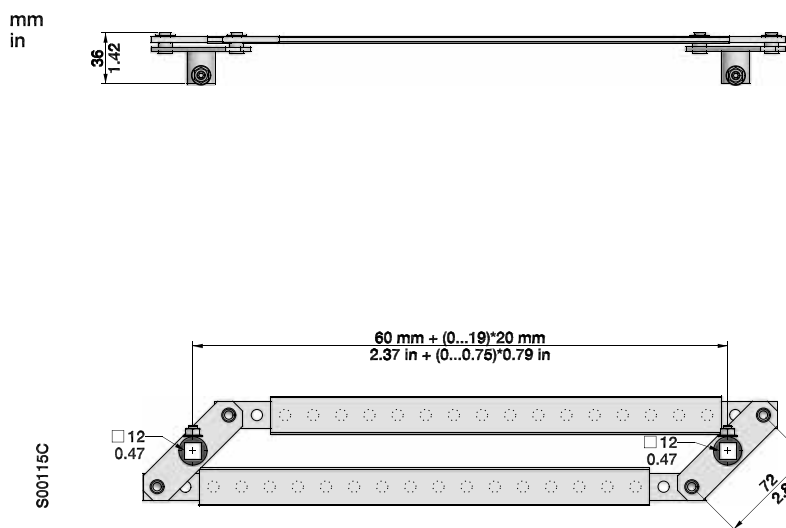
Dimensional drawings for conversion kits

6 and 8-pole switch fuses

OESAZW2



OETLW9

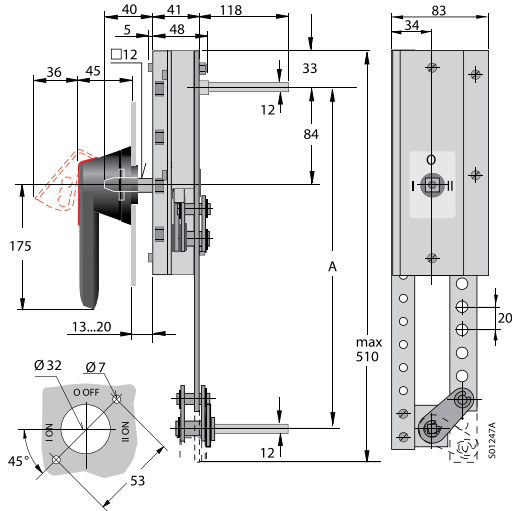


Accessories for switch fuses 20...1250 A

Dimensional drawings for conversion kits

Change-over switch fuses

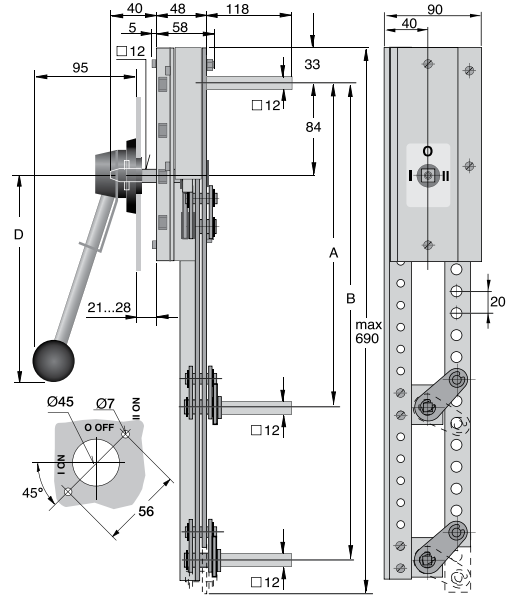
OETLZW11



OFTLZW11

A	210+(0...11)x20mm
---	-------------------

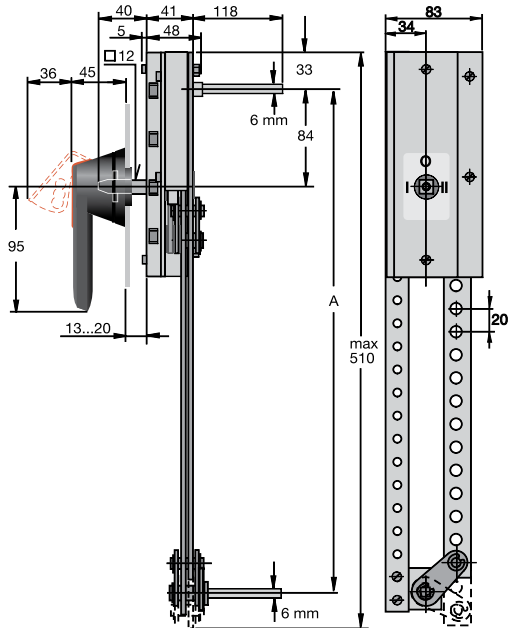
OETLZW12



OFTLZW12

A	210+(0...18)x20mm
D	220mm

OTZW 25



OTZW25

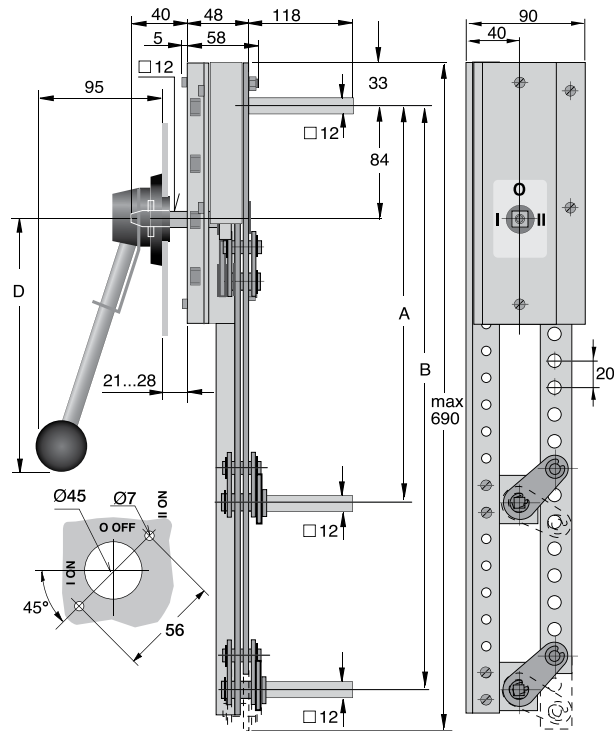
A	210+(0...18)x20mm
---	-------------------

Accessories for switch fuses 20...1250 A

Dimensional drawings for conversion kits

By-pass switch fuses

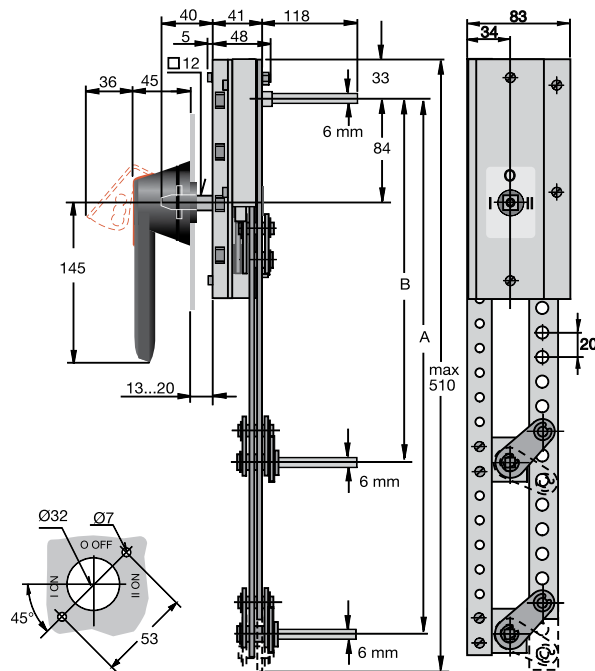
OETLZW13



OETLZW13

A	210+(0...18)x20mm
B	250+(0...18)x20mm
D	320mm

OTZW26



OTZW26

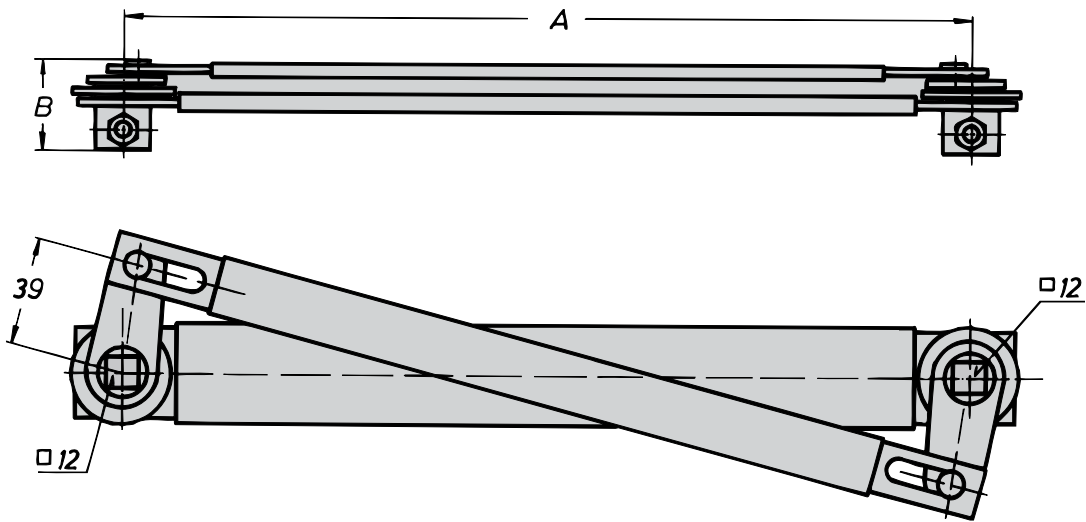
A	210+(0...9)x20mm
B	210+(0...9)x20mm

Accessories for switch fuses 20...1250 A

Dimensional drawings for conversion kits

Mechanical interlock

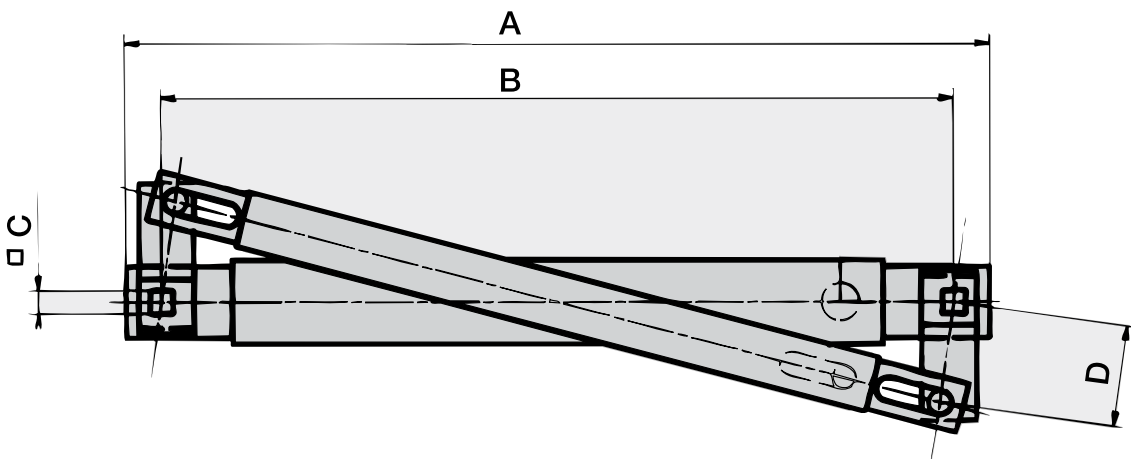
OTZW10



OETLZX3, 14, 15

	OETLZW3	OETLZW14	OETLZW15
A	300	250	500
B	31	31	36

OTZW10



OTZW10

A	206
B	190
C	6
D	30



Switch fuses

Index

Type	Order number	Description	Page
MCB-01	1SCA022150R5370	Auxiliary contact	76
MCB-10	1SCA022150R5110	Auxiliary contact	76
OA1G10	1SCA022353R4970	Auxiliary contact	76, 77
OA1G10AU	1SCA022436R7910	Auxiliary contact	76, 77
OA3G01	1SCA022456R7410	Auxiliary contact	76, 77
OA3G01AU	1SCA022819R5260	Auxiliary contact	76, 77
OA4B01	1SCA022276R9210	Auxiliary contact	76
OA4B10	1SCA022276R9050	Auxiliary contact	76
OA4B1C	1SCA022193R0150	Auxiliary contact	76
OESAZW2	1SCA022078R1600	Conversion kit	90
OETLZW11	1SCA022078R0030	Conversion kit	90
OETLZW12	1SCA022078R0200	Conversion kit	90
OETLZW13	1SCA022078R0460	Conversion kit	90
OETLZW14	1SCA022077R3410	Conversion kit	90
OETLZW15	1SCA022081R9340	Conversion kit	90
OETLZW3	1SCA022049R0380	Conversion kit	90
OETLZW9	1SCA022061R3300	Conversion kit	90
OETLZX95	1SCA022083R5620	Shaft extension socket	75
OEZNL1	1SCA022723R7400	Solid link	83
OEZNL10	1SCA116437R1001	Solid link	83
OEZNL8	1SCA113998R1001	Solid link	83
OEZXU 14/3	1SCA100361R1001	Terminal shroud	85
OEZXU 14/4	1SCA101082R1001	Terminal shroud	85
OEZXU 68/3	1SCA121380R1001	Terminal shroud	85
OEZXU 68/4	1SCA121379R1001	Terminal shroud	85
OFAE506	1SCA128175R1001	Fuse replacement handle	72
OFAW00	1SCA022003R9680	Solid link	83
OFAW1	1SCA022003R9760	Solid link	83
OFAW2	1SCA022003R9840	Solid link	83
OFAW3	1SCA022003R9920	Solid link	83
OFAW4	1SCA022842R5440	Solid link	83
OFAW4a	1SCA148430R1001	Solid link	83
OFD110EA	1SCA121775R1001	Electronic fuse monitor	92
OFD500EA	1SCA121776R1001	Electronic fuse monitor	92
OFM240	1SCA022579R1340	Electronic fuse monitor	92
OFM260	1SCA022459R8560	Electronic fuse monitor	92
OFM600	1SCA022579R1260	Electronic fuse monitor	92
OFM690	1SCA022459R8480	Electronic fuse monitor	92
OFMZ2	1SCA022475R9910	Mounting accessory	92
OFS260	1SCA022716R0180	Electronic fuse monitor	92
OFS690	1SCA022715R9920	Electronic fuse monitor	92
OGH145J12	1SCA022381R2290	Pistol handle	69
OHB125J12	1SCA022381R1560	Pistol handle	69
OHB125J12T	1SCA022652R2220	Pistol handle	69
OHB145J12	1SCA022381R2110	Pistol handle	69
OHB145J12E00S	1SCA022679R9700	Pistol handle	71
OHB145J12T	1SCA022652R2570	Pistol handle	69
OHB150J12P	1SCA022865R9430	Pistol handle	70
OHB175J12	1SCA022381R2450	Pistol handle	69
OHB175J12T	1SCA022708R0740	Pistol handle	69
OHB200J12P	1SCA022865R9510	Pistol handle	70
OHB200J12PT	1SCA106510R1001	Pistol handle	70
OHB274J12	1SCA115920R1001	Pistol handle	70
OHB274J12T	1SCA120250R1001	Pistol handle	70
OHB330J12	1SCA115922R1001	Pistol handle	70
OHB330J12T	1SCA120252R1001	Pistol handle	70
OHB4	1SCA022439R4050	Direct mount handle	72
OHB45J6	1SCA022380R8770	Pistol handle	69
OHB45J6T	1SCA109870R1001	Pistol handle	69

Switch fuses

Index

Type	Order number	Description	Page
OHB65J6	1SCA022380R9660	Pistol handle	69
OHB65J6E00S	1SCA022382R9850	Pistol handle	71
OHB65J6T	1SCA022399R8110	Pistol handle	69
OHB65J6TE00S	1SCA109016R1001	Pistol handle	71
OHB80J6	1SCA022381R0240	Pistol handle	69
OHB80J6T	1SCA022399R8290	Pistol handle	69
OHB95J12	1SCA022381R0830	Pistol handle	69
OHB95J12T	1SCA022736R1750	Pistol handle	69
OHG125J12	1SCA022381R1640	Pistol handle	69
OHG175J12	1SCA022381R2610	Pistol handle	69
OHG45J6	1SCA022380R8850	Pistol handle	69
OHG65J6	1SCA022380R9740	Pistol handle	69
OHG65J6E00S	1SCA022383R4510	Pistol handle	71
OHG65J6T	1SCA022456R9620	Pistol handle	69
OHG65J6TE00S	1SCA109014R1001	Pistol handle	71
OHG95J12	1SCA022381R0910	Pistol handle	69
OHM125L12	1SCA022739R1150	Pistol handle	70
OHM175L12	1SCA022739R1230	Pistol handle	70
OHM275L12	1SCA022832R4840	Pistol handle	70
OHM45L6	1SCA111295R1001	Pistol handle	70
OHM65L6	1SCA022739R1070	Pistol handle	70
OHU145J12T	1SCA022652R2650	Pistol handle	69
OHY125J12	1SCA022381R1720	Pistol handle	69
OHY125J12T	1SCA022652R2310	Pistol handle	69
OHY145J12	1SCA022381R2370	Pistol handle	69
OHY150J12P	1SCA101586R1001	Pistol handle	70
OHY175J12	1SCA022381R2700	Pistol handle	69
OHY200J12P	1SCA101587R1001	Pistol handle	70
OHY200J12PT	1SCA111512R1001	Pistol handle	70
OHY274J12	1SCA115919R1001	Pistol handle	70
OHY330J12	1SCA115921R1001	Pistol handle	70
OHY45J6	1SCA022380R8930	Pistol handle	69
OHY65J6	1SCA022380R9820	Pistol handle	69
OHY65J6E00S	1SCA022382R9930	Pistol handle	71
OHY65J6T	1SCA022456R9540	Pistol handle	69
OHY65J6TE00S	1SCA022688R0140	Pistol handle	71
OHY95J12	1SCA022381R1050	Pistol handle	69
OHY95J12T	1SCA022736R1910	Pistol handle	69
OHZX14	1SCA022851R6590	Pistol handle	71
OS100GB02	1SCA116793R1001	Switch fuse	40
OS100GB02P	1SCA116723R1001	Switch fuse	40
OS100GB03	1SCA116975R1001	Switch fuse	40
OS100GB03-42	1SCA128216R1001	Switch fuse	44
OS100GB03K	1SCA116747R1001	Switch fuse	40
OS100GB03N3	1SCA125530R1001	Switch fuse	40
OS100GB03N3-42	1SCA129906R1001	Switch fuse	44
OS100GB03N3P	1SCA125531R1001	Switch fuse	40
OS100GB03N3P-42	1SCA129907R1001	Switch fuse	44
OS100GB03P	1SCA114613R1001	Switch fuse	40
OS100GB03P-42	1SCA128217R1001	Switch fuse	44
OS100GB04N1	1SCA116976R1001	Switch fuse	40
OS100GB04N1K	1SCA116748R1001	Switch fuse	40
OS100GB04N1P	1SCA114614R1001	Switch fuse	40
OS100GBS30	1SCA116758R1001	Switch fuse	40
OS100GBS30P	1SCA114656R1001	Switch fuse	40
OS100GBS40N1	1SCA116759R1001	Switch fuse	40
OS100GBS40N1P	1SCA114657R1001	Switch fuse	40
OS100GJ02	1SCA121932R1001	Fusible disconnect switch	59
OS100GJ02K	1SCA125031R1001	Fusible disconnect switch	59

Switch fuses

Index

Type	Order number	Description	Page
OS100GJ02P	1SCA121933R1001	Fusible disconnect switch	59
OS100GJ03	1SCA115436R1001	Fusible disconnect switch	59
OS100GJ03K	1SCA121957R1001	Fusible disconnect switch	59
OS100GJ03P	1SCA114639R1001	Fusible disconnect switch	59
OS100GJ04F	1SCA115438R1001	Fusible disconnect switch	59
OS100GJ04FK	1SCA122093R1001	Fusible disconnect switch	59
OS100GJ04FP	1SCA115439R1001	Fusible disconnect switch	59
OS100GJS30	1SCA115971R1001	Fusible disconnect switch	59
OS100GJS30K	1SCA115942R1001	Fusible disconnect switch	59
OS100GJS40F	1SCA115972R1001	Fusible disconnect switch	59
OS100GJS40FK	1SCA115943R1001	Fusible disconnect switch	59
OS1200L02	1SCA116924R1001	Fusible disconnect switch	63
OS1200L02P	1SCA116925R1001	Fusible disconnect switch	63
OS1200L03	1SCA105467R1001	Fusible disconnect switch	63
OS1200L03P	1SCA105468R1001	Fusible disconnect switch	63
OS1200L04F	1SCA105465R1001	Fusible disconnect switch	63
OS1200L04FP	1SCA105466R1001	Fusible disconnect switch	63
OS1250B02	1SCA114069R1001	Switch fuse	51
OS1250B02P	1SCA114070R1001	Switch fuse	51
OS1250B03	1SCA105249R1001	Switch fuse	51
OS1250B03K	1SCA108715R1001	Switch fuse	51
OS1250B03N3	1SCA127485R1001	Switch fuse	51
OS1250B03N3P	1SCA107936R1001	Switch fuse	51
OS1250B03P	1SCA105250R1001	Switch fuse	51
OS1250B04F	1SCA105257R1001	Switch fuse	51
OS1250B04FP	1SCA105258R1001	Switch fuse	51
OS1250D02	1SCA114045R1001	Switch fuse	34
OS1250D02P	1SCA114051R1001	Switch fuse	34
OS1250D03	1SCA105474R1001	Switch fuse	34
OS1250D03K	1SCA108718R1001	Switch fuse	34
OS1250D03P	1SCA105475R1001	Switch fuse	34
OS1250D04F	1SCA105472R1001	Switch fuse	34
OS1250D04FK	1SCA113109R1001	Switch fuse	34
OS1250D04FP	1SCA105473R1001	Switch fuse	34
OS1250D04N2	1SCA105247R1001	Switch fuse	34
OS1250D04N2K	1SCA108719R1001	Switch fuse	34
OS1250D04N2P	1SCA105248R1001	Switch fuse	34
OS1250DA02	1SCA114058R1001	Switch fuse	34
OS1250DA02P	1SCA114059R1001	Switch fuse	34
OS1250DA03	1SCA105165R1001	Switch fuse	34
OS1250DA03K	1SCA108720R1001	Switch fuse	34
OS1250DA03P	1SCA105238R1001	Switch fuse	34
OS1250DA04F	1SCA105239R1001	Switch fuse	34
OS1250DA04FP	1SCA105240R1001	Switch fuse	34
OS1250DA04N2	1SCA105242R1001	Switch fuse	34
OS1250DA04N2K	1SCA108721R1001	Switch fuse	34
OS1250DA04N2P	1SCA105243R1001	Switch fuse	34
OS125GB02	1SCA116794R1001	Switch fuse	41
OS125GB02P	1SCA116724R1001	Switch fuse	41
OS125GB03	1SCA115633R1001	Switch fuse	41
OS125GB03-42	1SCA128214R1001	Switch fuse	44
OS125GB03BB	1SCA120782R1001	Special connected switch fuse	52
OS125GB03BBP	1SCA120783R1001	Special connected switch fuse	52
OS125GB03K	1SCA116751R1001	Switch fuse	41
OS125GB03N3	1SCA122007R1001	Switch fuse	41
OS125GB03N3-42	1SCA129911R1001	Switch fuse	44
OS125GB03N3P	1SCA122008R1001	Switch fuse	41
OS125GB03N3P-42	1SCA129912R1001	Switch fuse	44
OS125GB03P	1SCA115634R1001	Switch fuse	41

Switch fuses

Index

Type	Order number	Description	Page
OS125GB03P-42	1SCA128215R1001	Switch fuse	44
OS125GB04BBN2	1SCA120784R1001	Special connected switch fuse	52
OS125GB04BBN2P	1SCA120785R1001	Special connected switch fuse	52
OS125GB04N1	1SCA115900R1001	Switch fuse	41
OS125GB04N1K	1SCA116752R1001	Switch fuse	41
OS125GB04N1P	1SCA115901R1001	Switch fuse	41
OS125GB12LR	1SCA120257R1001	Special connected switch fuse	52
OS125GB12LRP	1SCA120258R1001	Special connected switch fuse	52
OS125GB21LR	1SCA120259R1001	Special connected switch fuse	52
OS125GB21LRP	1SCA120261R1001	Special connected switch fuse	52
OS125GB22LR	1SCA120264R1001	Special connected switch fuse	52
OS125GB22LRP	1SCA120265R1001	Special connected switch fuse	52
OS125GBS30	1SCA116048R1001	Switch fuse	41
OS125GBS30K	1SCA116400R1001	Switch fuse	41
OS125GBS30P	1SCA114658R1001	Switch fuse	41
OS125GBS40N1	1SCA115959R1001	Switch fuse	41
OS125GBS40N1K	1SCA115926R1001	Switch fuse	41
OS125GBS40N1P	1SCA114659R1001	Switch fuse	41
OS125GD02	1SCA116873R1001	Switch fuse	27
OS125GD02K	1SCA122908R1001	Switch fuse	27
OS125GD02P	1SCA116716R1001	Switch fuse	27
OS125GD03	1SCA115638R1001	Switch fuse	27
OS125GD03BB	1SCA120801R1001	Special connected switch fuse	35
OS125GD03BBP	1SCA120802R1001	Special connected switch fuse	35
OS125GD03K	1SCA116878R1001	Switch fuse	27
OS125GD03P	1SCA115639R1001	Switch fuse	27
OS125GD04BBN2	1SCA120805R1001	Special connected switch fuse	35
OS125GD04BBN2P	1SCA120806R1001	Special connected switch fuse	35
OS125GD04F	1SCA115685R1001	Switch fuse	27
OS125GD04FK	1SCA116741R1001	Switch fuse	27
OS125GD04FP	1SCA115686R1001	Switch fuse	27
OS125GD04N2	1SCA115876R1001	Switch fuse	27
OS125GD04N2K	1SCA116740R1001	Switch fuse	27
OS125GD04N2P	1SCA115877R1001	Switch fuse	27
OS125GD12LR	1SCA120253R1001	Special connected switch fuse	35
OS125GD12LRP	1SCA120062R1001	Special connected switch fuse	35
OS125GD21LR	1SCA120319R1001	Special connected switch fuse	35
OS125GD21LRP	1SCA120255R1001	Special connected switch fuse	35
OS125GD22LR	1SCA120262R1001	Special connected switch fuse	35
OS125GD22LRP	1SCA120263R1001	Special connected switch fuse	35
OS125GDS30	1SCA115966R1001	Switch fuse	27
OS125GDS30K	1SCA115933R1001	Switch fuse	27
OS125GDS40F	1SCA116756R1001	Switch fuse	27
OS125GDS40N2	1SCA115967R1001	Switch fuse	27
OS125GDS40N2K	1SCA115934R1001	Switch fuse	27
OS125GF02	1SCA116852R1001	Switch fuse	56
OS125GF02P	1SCA116727R1001	Switch fuse	56
OS125GF03	1SCA115601R1001	Switch fuse	56
OS125GF03P	1SCA115602R1001	Switch fuse	56
OS125GF04F	1SCA115605R1001	Switch fuse	56
OS125GF04FP	1SCA115606R1001	Switch fuse	56
OS125GFS30	1SCA115973R1001	Switch fuse	56
OS125GFS30K	1SCA115944R1001	Switch fuse	56
OS125GFS40F	1SCA115975R1001	Switch fuse	56
OS125GFS40FK	1SCA115946R1001	Switch fuse	56
OS160GB02	1SCA116795R1001	Switch fuse	42
OS160GB02P	1SCA116725R1001	Switch fuse	42
OS160GB03	1SCA115412R1001	Switch fuse	42
OS160GB03-42	1SCA128212R1001	Switch fuse	44

Switch fuses

Index

Type	Order number	Description	Page
OS160GB03BB	1SCA120656R1001	Special connected switch fuse	52
OS160GB03BBP	1SCA120657R1001	Special connected switch fuse	52
OS160GB03K	1SCA116753R1001	Switch fuse	42
OS160GB03N3	1SCA122009R1001	Switch fuse	42
OS160GB03N3-42	1SCA129915R1001	Switch fuse	44
OS160GB03N3P	1SCA122010R1001	Switch fuse	42
OS160GB03N3P-42	1SCA129916R1001	Switch fuse	44
OS160GB03P	1SCA115413R1001	Switch fuse	42
OS160GB03P-42	1SCA128213R1001	Switch fuse	44
OS160GB04BBN2	1SCA120664R1001	Special connected switch fuse	52
OS160GB04BBN2P	1SCA120665R1001	Special connected switch fuse	52
OS160GB04F	1SCA115418R1001	Switch fuse	42
OS160GB04FP	1SCA115419R1001	Switch fuse	42
OS160GB04N1	1SCA115895R1001	Switch fuse	42
OS160GB04N1K	1SCA116754R1001	Switch fuse	42
OS160GB04N1P	1SCA115896R1001	Switch fuse	42
OS160GB12LR	1SCA123716R1001	Special connected switch fuse	52
OS160GB12LRP	1SCA120271R1001	Special connected switch fuse	52
OS160GB21LR	1SCA120272R1001	Special connected switch fuse	52
OS160GB21LRP	1SCA120273R1001	Special connected switch fuse	52
OS160GB22LR	1SCA120276R1001	Special connected switch fuse	52
OS160GB22LRP	1SCA120277R1001	Special connected switch fuse	52
OS160GBS30	1SCA115960R1001	Switch fuse	42
OS160GBS30K	1SCA115927R1001	Switch fuse	42
OS160GBS30P	1SCA114660R1001	Switch fuse	42
OS160GBS40N1	1SCA115961R1001	Switch fuse	42
OS160GBS40N1K	1SCA115928R1001	Switch fuse	42
OS160GBS40N1P	1SCA114661R1001	Switch fuse	42
OS160GD02	1SCA116778R1001	Switch fuse	28
OS160GD02K	1SCA122910R1001	Switch fuse	28
OS160GD02P	1SCA116717R1001	Switch fuse	28
OS160GD03	1SCA114221R1001	Switch fuse	28
OS160GD03BB	1SCA120654R1001	Special connected switch fuse	35
OS160GD03BBP	1SCA120655R1001	Special connected switch fuse	35
OS160GD03K	1SCA116742R1001	Switch fuse	28
OS160GD03P	1SCA115399R1001	Switch fuse	28
OS160GD04BBN2	1SCA120660R1001	Special connected switch fuse	35
OS160GD04BBN2P	1SCA120661R1001	Special connected switch fuse	35
OS160GD04F	1SCA115401R1001	Switch fuse	28
OS160GD04FK	1SCA116880R1001	Switch fuse	28
OS160GD04FP	1SCA115402R1001	Switch fuse	28
OS160GD04N2	1SCA115881R1001	Switch fuse	28
OS160GD04N2K	1SCA116743R1001	Switch fuse	28
OS160GD04N2P	1SCA115882R1001	Switch fuse	28
OS160GD12LR	1SCA120266R1001	Special connected switch fuse	35
OS160GD12LRP	1SCA120267R1001	Special connected switch fuse	35
OS160GD21LR	1SCA120268R1001	Special connected switch fuse	35
OS160GD21LRP	1SCA120294R1001	Special connected switch fuse	35
OS160GD22LR	1SCA120274R1001	Special connected switch fuse	35
OS160GD22LRP	1SCA120275R1001	Special connected switch fuse	35
OS160GDS30	1SCA115968R1001	Switch fuse	28
OS160GDS30K	1SCA115935R1001	Switch fuse	28
OS160GDS40F	1SCA116757R1001	Switch fuse	28
OS160GDS40N2	1SCA115969R1001	Switch fuse	28
OS160GDS40N2K	1SCA115939R1001	Switch fuse	28
OS200B02	1SCA022769R7660	Switch fuse	45
OS200B02P	1SCA022769R7820	Switch fuse	45
OS200B03	1SCA022717R3410	Switch fuse	45
OS200B03BB	1SCA102083R1001	Special connected switch fuse	52

Switch fuses

Index

Type	Order number	Description	Page
OS200B03BBP	1SCA102082R1001	Special connected switch fuse	52
OS200B03K	1SCA022763R6950	Switch fuse	45
OS200B03N3	1SCA022750R0540	Switch fuse	45
OS200B03N3P	1SCA022750R0620	Switch fuse	45
OS200B03P	1SCA022709R9330	Switch fuse	45
OS200B04BBN2	1SCA102137R1001	Special connected switch fuse	52
OS200B04BBN2P	1SCA102123R1001	Special connected switch fuse	52
OS200B04F	1SCA123706R1001	Switch fuse	45
OS200B04FP	1SCA123704R1001	Switch fuse	45
OS200BS30	1SCA022870R7770	Switch fuse	45
OS200BS30K	1SCA022870R7850	Switch fuse	45
OS200BS40F	1SCA022870R7930	Switch fuse	45
OS200BS40FK	1SCA022870R8070	Switch fuse	45
OS200D02	1SCA022759R9140	Switch fuse	29
OS200D02P	1SCA022759R9220	Switch fuse	29
OS200D03	1SCA022715R2240	Switch fuse	29
OS200D03BB	1SCA102151R1001	Special connected switch fuse	36
OS200D03BBP	1SCA102150R1001	Special connected switch fuse	36
OS200D03K	1SCA022764R7130	Switch fuse	29
OS200D03P	1SCA022709R9500	Switch fuse	29
OS200D04BBN2	1SCA102146R1001	Special connected switch fuse	36
OS200D04BBN2P	1SCA102139R1001	Special connected switch fuse	36
OS200D04F	1SCA022725R8230	Switch fuse	29
OS200D04FK	1SCA022783R1220	Switch fuse	29
OS200D04FP	1SCA022725R4750	Switch fuse	29
OS200D04N2	1SCA022717R3670	Switch fuse	29
OS200D04N2K	1SCA022768R7430	Switch fuse	29
OS200D04N2P	1SCA022709R9680	Switch fuse	29
OS200DS30	1SCA022871R1370	Switch fuse	29
OS200DS30K	1SCA022871R1450	Switch fuse	29
OS200DS40F	1SCA022871R1530	Switch fuse	29
OS200DS40FK	1SCA022871R1610	Switch fuse	29
OS200DS40N2	1SCA022871R1700	Switch fuse	29
OS200DS40N2K	1SCA022871R1880	Switch fuse	29
OS200DZ03	1SCA022797R3520	Switch fuse	29
OS200DZ03P	1SCA022797R3440	Switch fuse	29
OS200DZ04N2	1SCA022819R4110	Switch fuse	29
OS200DZ04N2P	1SCA022820R9230	Switch fuse	29
OS200GB03	1SCA123903R1001	Switch fuse	43
OS200GB03-42	1SCA128210R1001	Switch fuse	44
OS200GB03K	1SCA128085R1001	Switch fuse	43
OS200GB03N3	1SCA123904R1001	Switch fuse	43
OS200GB03N3-42	1SCA129921R1001	Switch fuse	44
OS200GB03N3K	1SCA128087R1001	Switch fuse	43
OS200GB03N3P	1SCA126216R1001	Switch fuse	43
OS200GB03N3P-42	1SCA129922R1001	Switch fuse	44
OS200GB03P	1SCA125468R1001	Switch fuse	43
OS200GB03P-42	1SCA128211R1001	Switch fuse	44
OS200GB04N1	1SCA125491R1001	Switch fuse	43
OS200GB04N1P	1SCA125493R1001	Switch fuse	43
OS200J02	1SCA107591R1001	Fusible disconnect switch	60
OS200J02P	1SCA107598R1001	Fusible disconnect switch	60
OS200J03	1SCA022733R6130	Fusible disconnect switch	60
OS200J03K	1SCA022763R5800	Fusible disconnect switch	60
OS200J03P	1SCA022709R9760	Fusible disconnect switch	60
OS200J04F	1SCA022758R9340	Fusible disconnect switch	60
OS200J04FP	1SCA022758R9770	Fusible disconnect switch	60
OS200JS30	1SCA022871R3910	Fusible disconnect switch	60
OS200JS30K	1SCA022871R4040	Fusible disconnect switch	60

Switch fuses

Index

Type	Order number	Description	Page
OS200JS40F	1SCA022871R4120	Fusible disconnect switch	60
OS200JS40FK	1SCA022871R4210	Fusible disconnect switch	60
OS20FB12A1	1SCA108790R1001	Switch fuse	38
OS20FB12A1-2	1SCA108791R1001	Switch fuse	38
OS20FB22A1N1	1SCA108796R1001	Switch fuse	38
OS20FB22A1N1-2	1SCA108797R1001	Switch fuse	38
OS250B02	1SCA022769R9360	Switch fuse	46
OS250B02P	1SCA022769R9440	Switch fuse	46
OS250B03	1SCA022750R6400	Switch fuse	46
OS250B03BB	1SCA102173R1001	Special connected switch fuse	53
OS250B03BBP	1SCA102168R1001	Special connected switch fuse	53
OS250B03K	1SCA022763R6010	Switch fuse	46
OS250B03N3	1SCA022750R7980	Switch fuse	46
OS250B03N3P	1SCA022750R8010	Switch fuse	46
OS250B03P	1SCA022750R6660	Switch fuse	46
OS250B04BBN2	1SCA102175R1001	Special connected switch fuse	53
OS250B04BBN2P	1SCA102164R1001	Special connected switch fuse	53
OS250B04F	1SCA109110R1001	Switch fuse	46
OS250B04FP	1SCA109112R1001	Switch fuse	46
OS250B04N1	1SCA022750R7040	Switch fuse	46
OS250B04N1K	1SCA022763R6100	Switch fuse	46
OS250B04N1P	1SCA022750R7120	Switch fuse	46
OS250B12LR	1SCA022854R5420	Special connected switch fuse	53
OS250B12LRP	1SCA022854R5690	Special connected switch fuse	53
OS250B21LR	1SCA022854R5510	Special connected switch fuse	53
OS250B21LRP	1SCA022854R5850	Special connected switch fuse	53
OS250B22LR	1SCA022854R7120	Special connected switch fuse	53
OS250B22LRP	1SCA022854R7210	Special connected switch fuse	53
OS250BS30	1SCA022870R8580	Switch fuse	46
OS250BS30K	1SCA022870R8660	Switch fuse	46
OS250BS40F	1SCA022870R8740	Switch fuse	46
OS250BS40FK	1SCA022870R8820	Switch fuse	46
OS250D02	1SCA022746R7740	Switch fuse	30
OS250D02K	1SCA101367R1001	Switch fuse	30
OS250D02P	1SCA022760R0170	Switch fuse	30
OS250D03	1SCA022720R7080	Switch fuse	30
OS250D03BB	1SCA102197R1001	Special connected switch fuse	36
OS250D03BBP	1SCA012190R1001	Special connected switch fuse	36
OS250D03K	1SCA022763R6360	Switch fuse	30
OS250D03P	1SCA022719R0090	Switch fuse	30
OS250D04BBN2	1SCA102201R1001	Special connected switch fuse	36
OS250D04BBN2P	1SCA102205R1001	Special connected switch fuse	36
OS250D04F	1SCA022727R0360	Switch fuse	30
OS250D04FK	1SCA022783R1310	Switch fuse	30
OS250D04FP	1SCA022726R8620	Switch fuse	30
OS250D04N2	1SCA022725R0500	Switch fuse	30
OS250D04N2K	1SCA022763R6440	Switch fuse	30
OS250D04N2P	1SCA022719R2380	Switch fuse	30
OS250D12LR	1SCA022852R8250	Special connected switch fuse	36
OS250D12LRP	1SCA022852R8410	Special connected switch fuse	36
OS250D21LR	1SCA022852R8330	Special connected switch fuse	36
OS250D21LRP	1SCA022852R8500	Special connected switch fuse	36
OS250D22LR	1SCA022853R0230	Special connected switch fuse	36
OS250D22LRP	1SCA022853R0310	Special connected switch fuse	36
OS250DS30	1SCA022871R2180	Switch fuse	30
OS250DS30K	1SCA022871R2260	Switch fuse	30
OS250DS40F	1SCA022871R2340	Switch fuse	30
OS250DS40FK	1SCA022871R2420	Switch fuse	30
OS250DS40N2	1SCA022871R2510	Switch fuse	30

Switch fuses

Index

Type	Order number	Description	Page
OS250DS40N2K	1SCA022871R2690	Switch fuse	30
OS25FF1210	1SCA108636R1001	Switch fuse	55
OS25FF1210-2	1SCA108801R1001	Switch fuse	55
OS25FF2210N1	1SCA108638R1001	Switch fuse	55
OS25FF2210N1-2	1SCA108806R1001	Switch fuse	55
OS25FFS3010	1SCA108639R1001	Switch fuse	55
OS25FFS3010-2	1SCA108808R1001	Switch fuse	55
OS30FACC12	1SCA108813R1001	Fusible disconnect switch	57
OS30FACC12P	1SCA108817R1001	Fusible disconnect switch	57
OS30FACC22F	1SCA108819R1001	Fusible disconnect switch	57
OS30FACCS30	1SCA108822R1001	Fusible disconnect switch	57
OS30FAJ12	1SCA108824R1001	Fusible disconnect switch	57
OS30FAJ12P	1SCA108828R1001	Fusible disconnect switch	57
OS30FAJ22F	1SCA108829R1001	Fusible disconnect switch	57
OS30FAJ22FP	1SCA108831R1001	Fusible disconnect switch	57
OS30FAJS30	1SCA108834R1001	Fusible disconnect switch	57
OS315B02	1SCA022817R3370	Switch fuse	47
OS315B02P	1SCA022817R3450	Switch fuse	47
OS315B03	1SCA022753R2070	Switch fuse	47
OS315B03K	1SCA022763R6520	Switch fuse	47
OS315B03N3	1SCA022753R9590	Switch fuse	47
OS315B03N3P	1SCA022753R8940	Switch fuse	47
OS315B03P	1SCA022719R0680	Switch fuse	47
OS315B04F	1SCA022777R5480	Switch fuse	47
OS315B04FP	1SCA022753R6650	Switch fuse	47
OS315B04N1K	1SCA022763R7170	Switch fuse	47
OS315BS30	1SCA022870R9390	Switch fuse	47
OS315BS30K	1SCA022870R9470	Switch fuse	47
OS315BS40F	1SCA022870R9550	Switch fuse	47
OS315BS40FK	1SCA022870R9630	Switch fuse	47
OS32FB12A1	1SCA108840R1001	Switch fuse	38
OS32FB12A1-2	1SCA108841R1001	Switch fuse	38
OS32FB12A2	1SCA108847R1001	Switch fuse	38
OS32FB12A2-2	1SCA108848R1001	Switch fuse	38
OS32FB22A1N1	1SCA108853R1001	Switch fuse	38
OS32FB22A1N1-2	1SCA108855R1001	Switch fuse	38
OS32FB22A2N1	1SCA108863R1001	Switch fuse	38
OS32FB22A2N1-2	1SCA108865R1001	Switch fuse	38
OS32FF1214	1SCA108642R1001	Switch fuse	55
OS32FF1214-2	1SCA108888R1001	Switch fuse	55
OS32FF2214N1-2	1SCA108889R1001	Switch fuse	55
OS32FFD3014-2	1SCA108890R1001	Switch fuse	55
OS32FFS3014	1SCA108646R1001	Switch fuse	55
OS32GB02	1SCA116792R1001	Switch fuse	38
OS32GB02P	1SCA116721R1001	Switch fuse	38
OS32GB03	1SCA115255R1001	Switch fuse	38
OS32GB03K	1SCA116744R1001	Switch fuse	38
OS32GB03P	1SCA115259R1001	Switch fuse	38
OS32GB04N1	1SCA115265R1001	Switch fuse	38
OS32GB04N1K	1SCA116856R1001	Switch fuse	38
OS32GB04N1P	1SCA114610R1001	Switch fuse	38
OS32GBS30	1SCA115955R1001	Switch fuse	38
OS32GBS30K	1SCA115918R1001	Switch fuse	38
OS32GBS40N1	1SCA115956R1001	Switch fuse	38
OS32GBS40N1K	1SCA115923R1001	Switch fuse	38
OS32GD02	1SCA116776R1001	Switch fuse	25
OS32GD02K	1SCA122905R1001	Switch fuse	25
OS32GD02P	1SCA116714R1001	Switch fuse	25
OS32GD03	1SCA115188R1001	Switch fuse	25

Switch fuses

Index

Type	Order number	Description	Page
OS32GD03K	1SCA116733R1001	Switch fuse	25
OS32GD03P	1SCA115189R1001	Switch fuse	25
OS32GD04F	1SCA115195R1001	Switch fuse	25
OS32GD04FK	1SCA116737R1001	Switch fuse	25
OS32GD04FP	1SCA115196R1001	Switch fuse	25
OS32GD04N2	1SCA115192R1001	Switch fuse	25
OS32GD04N2K	1SCA116734R1001	Switch fuse	25
OS32GD04N2P	1SCA115193R1001	Switch fuse	25
OS32GDS30	1SCA115963R1001	Switch fuse	25
OS32GDS30K	1SCA115929R1001	Switch fuse	25
OS32GDS40F	1SCA116755R1001	Switch fuse	25
OS32GDS40N2	1SCA116046R1001	Switch fuse	25
OS32GDS40N2K	1SCA116402R1001	Switch fuse	25
OS400B02	1SCA022813R7140	Switch fuse	48
OS400B02P	1SCA022813R7220	Switch fuse	48
OS400B03	1SCA022737R4900	Switch fuse	48
OS400B03BB	1SCA102250R1001	Special connected switch fuse	53
OS400B03BBP	1SCA102252R1001	Special connected switch fuse	53
OS400B03K	1SCA022763R6790	Switch fuse	48
OS400B03N3	1SCA022753R9830	Switch fuse	48
OS400B03N3P	1SCA022753R9160	Switch fuse	48
OS400B03P	1SCA022719R0840	Switch fuse	48
OS400B04BBN2	1SCA102239R1001	Special connected switch fuse	53
OS400B04BBN2P	1SCA102248R1001	Special connected switch fuse	53
OS400B04F	1SCA022754R4590	Switch fuse	48
OS400B04FP	1SCA022753R6900	Switch fuse	48
OS400B12LR	1SCA022855R1230	Special connected switch fuse	53
OS400B12LRP	1SCA022855R1400	Special connected switch fuse	53
OS400B21LR	1SCA022855R1310	Special connected switch fuse	53
OS400B21LRP	1SCA022855R1580	Special connected switch fuse	53
OS400B22LR	1SCA022855R2630	Special connected switch fuse	53
OS400B22LRP	1SCA022855R2710	Special connected switch fuse	53
OS400BS30	1SCA022871R0130	Switch fuse	48
OS400BS30K	1SCA022871R0210	Switch fuse	48
OS400BS40F	1SCA022871R0300	Switch fuse	48
OS400BS40FK	1SCA022871R0480	Switch fuse	48
OS400D02	1SCA022811R2820	Switch fuse	31
OS400D02K	1SCA101369R1001	Switch fuse	31
OS400D02P	1SCA022811R2740	Switch fuse	31
OS400D03	1SCA022753R1000	Switch fuse	31
OS400D03BB	1SCA102273R1001	Special connected switch fuse	36
OS400D03BBP	1SCA102260R1001	Special connected switch fuse	36
OS400D03K	1SCA022779R5410	Switch fuse	31
OS400D03P	1SCA022719R0250	Switch fuse	31
OS400D04BBN2	1SCA102291R1001	Special connected switch fuse	36
OS400D04BBN2P	1SCA102289R1001	Special connected switch fuse	36
OS400D04F	1SCA022754R3860	Switch fuse	31
OS400D04FK	1SCA022783R1490	Switch fuse	31
OS400D04FP	1SCA022753R7110	Switch fuse	31
OS400D04N2	1SCA022754R2620	Switch fuse	31
OS400D04N2K	1SCA022763R7250	Switch fuse	31
OS400D04N2P	1SCA022719R2460	Switch fuse	31
OS400D12LR	1SCA022853R2010	Special connected switch fuse	36
OS400D12LRP	1SCA022853R2280	Special connected switch fuse	36
OS400D21LR	1SCA022853R2100	Special connected switch fuse	36
OS400D21LRP	1SCA022853R2360	Special connected switch fuse	36
OS400D22LR	1SCA022853R4060	Special connected switch fuse	36
OS400D22LRP	1SCA022853R4140	Special connected switch fuse	36
OS400DS30	1SCA022871R2850	Switch fuse	31

Switch fuses

Index

Type	Order number	Description	Page
OS400DS30K	1SCA022871R2930	Switch fuse	31
OS400DS40F	1SCA022871R3070	Switch fuse	31
OS400DS40FK	1SCA022871R3150	Switch fuse	31
OS400DS40N2	1SCA022871R3230	Switch fuse	31
OS400J02	1SCA107592R1001	Fusible disconnect switch	61
OS400J02P	1SCA107596R1001	Fusible disconnect switch	61
OS400J03	1SCA022755R0810	Fusible disconnect switch	61
OS400J03K	1SCA11773R1001	Fusible disconnect switch	61
OS400J03P	1SCA022719R1140	Fusible disconnect switch	61
OS400J04F	1SCA022755R3660	Fusible disconnect switch	61
OS400J04FP	1SCA022755R3740	Fusible disconnect switch	61
OS400JS30	1SCA022871R4980	Fusible disconnect switch	61
OS400JS30K	1SCA022871R5010	Fusible disconnect switch	61
OS400JS40F	1SCA022871R5100	Fusible disconnect switch	61
OS400JS40FK	1SCA022871R5280	Fusible disconnect switch	61
OS4010DS40N2K	1SCA022871R3310	Switch fuse	31
OS40FD12000	1SCA108914R1001	Switch fuse	25
OS40FD12000-2	1SCA108921R1001	Switch fuse	25
OS40FD22000N1	1SCA108938R1001	Switch fuse	25
OS40FD22000N1-2	1SCA108940R1001	Switch fuse	25
OS40FDS30000	1SCA108942R1001	Switch fuse	25
OS40FDS30000-2	1SCA108945R1001	Switch fuse	25
OS40FDS40000N1	1SCA108954R1001	Switch fuse	25
OS50GF02	1SCA116798R1001	Switch fuse	55
OS50GF02P	1SCA118345R1001	Switch fuse	55
OS50GF03	1SCA115490R1001	Switch fuse	55
OS50GF03P	1SCA115492R1001	Switch fuse	55
OS50GF04F	1SCA115497R1001	Switch fuse	55
OS50GF04FP	1SCA115498R1001	Switch fuse	55
OS50GFS30	1SCA116050R1001	Switch fuse	55
OS50GFS30K	1SCA116404R1001	Switch fuse	55
OS50GFS40F	1SCA116014R1001	Switch fuse	55
OS50GFS40FK	1SCA116425R1001	Switch fuse	55
OS600J02	1SCA107593R1001	Fusible disconnect switch	62
OS600J02P	1SCA107595R1001	Fusible disconnect switch	62
OS600J03	1SCA022825R8610	Fusible disconnect switch	62
OS600J03K	1SCA11774R1001	Fusible disconnect switch	62
OS600J03P	1SCA022825R8870	Fusible disconnect switch	62
OS600J04F	1SCA022839R3900	Fusible disconnect switch	62
OS600J04FP	1SCA022839R4030	Fusible disconnect switch	62
OS600JS30	1SCA108111R1001	Fusible disconnect switch	62
OS600JS30K	1SCA108112R1001	Fusible disconnect switch	62
OS600JS40F	1SCA108113R1001	Fusible disconnect switch	62
OS600JS40FK	1SCA108114R1001	Fusible disconnect switch	62
OS60GJ02	1SCA121900R1001	Fusible disconnect switch	58
OS60GJ02K	1SCA121927R1001	Fusible disconnect switch	58
OS60GJ02P	1SCA121901R1001	Fusible disconnect switch	58
OS60GJ03	1SCA115866R1001	Fusible disconnect switch	58
OS60GJ03K	1SCA122100R1001	Fusible disconnect switch	58
OS60GJ03P	1SCA115443R1001	Fusible disconnect switch	58
OS60GJ04F	1SCA115445R1001	Fusible disconnect switch	58
OS60GJ04FK	1SCA122098R1001	Fusible disconnect switch	58
OS60GJ04FP	1SCA115446R1001	Fusible disconnect switch	58
OS60GJS30	1SCA116051R1001	Fusible disconnect switch	58
OS60GJS30K	1SCA116426R1001	Fusible disconnect switch	58
OS60GJS40F	1SCA115970R1001	Fusible disconnect switch	58
OS60GJS40FK	1SCA115941R1001	Fusible disconnect switch	58
OS630B02	1SCA113528R1001	Switch fuse	49
OS630B02P	1SCA113529R1001	Switch fuse	49

Switch fuses

Index

Type	Order number	Description	Page
OS630B03	1SCA022825R5770	Switch fuse	49
OS630B03K	1SCA108708R1001	Switch fuse	49
OS630B03N3	1SCA106295R1001	Switch fuse	49
OS630B03N3P	1SCA100860R1001	Switch fuse	49
OS630B03P	1SCA022825R5850	Switch fuse	49
OS630B04F	1SCA022825R5930	Switch fuse	49
OS630B04FK	1SCA110317R1001	Switch fuse	49
OS630B04FP	1SCA022825R6070	Switch fuse	49
OS630B04N1	1SCA022837R7020	Switch fuse	49
OS630B04N1P	1SCA022837R7110	Switch fuse	49
OS630BS30	1SCA108147R1001	Switch fuse	49
OS630BS30K	1SCA108148R1001	Switch fuse	49
OS630BS40F	1SCA108149R1001	Switch fuse	49
OS630BS40FK	1SCA108150R1001	Switch fuse	49
OS630D02	1SCA106144R1001	Switch fuse	32
OS630D02P	1SCA107745R1001	Switch fuse	32
OS630D03	1SCA022825R2670	Switch fuse	32
OS630D03K	1SCA108704R1001	Switch fuse	32
OS630D03P	1SCA022825R2830	Switch fuse	32
OS630D04F	1SCA022825R4530	Switch fuse	32
OS630D04FK	1SCA110300R1001	Switch fuse	32
OS630D04FP	1SCA022825R4610	Switch fuse	32
OS630D04N2	1SCA022825R4110	Switch fuse	32
OS630D04N2K	1SCA108705R1001	Switch fuse	32
OS630D04N2P	1SCA022825R4290	Switch fuse	32
OS630DS30	1SCA108135R1001	Switch fuse	32
OS630DS30K	1SCA108136R1001	Switch fuse	32
OS630DS40F	1SCA108137R1001	Switch fuse	32
OS630DS40FK	1SCA108138R1001	Switch fuse	32
OS630DS40N2	1SCA108139R1001	Switch fuse	32
OS630DS40N2K	1SCA108140R1001	Switch fuse	32
OS63GB02	1SCA116871R1001	Switch fuse	39
OS63GB02P	1SCA116854R1001	Switch fuse	39
OS63GB03	1SCA115234R1001	Switch fuse	39
OS63GB03K	1SCA116745R1001	Switch fuse	39
OS63GB03P	1SCA115235R1001	Switch fuse	39
OS63GB04F	1SCA116304R1001	Switch fuse	39
OS63GB04FP	1SCA116305R1001	Switch fuse	39
OS63GB04N1	1SCA115237R1001	Switch fuse	39
OS63GB04N1K	1SCA116746R1001	Switch fuse	39
OS63GB04N1P	1SCA115238R1001	Switch fuse	39
OS63GBS30	1SCA115957R1001	Switch fuse	39
OS63GBS30K	1SCA115924R1001	Switch fuse	39
OS63GBS40N1	1SCA115978R1001	Switch fuse	39
OS63GBS40N1K	1SCA115979R1001	Switch fuse	39
OS63GD02	1SCA116777R1001	Switch fuse	26
OS63GD02K	1SCA122906R1001	Switch fuse	26
OS63GD02P	1SCA116715R1001	Switch fuse	26
OS63GD03	1SCA115206R1001	Switch fuse	26
OS63GD03K	1SCA116738R1001	Switch fuse	26
OS63GD03P	1SCA115207R1001	Switch fuse	26
OS63GD04F	1SCA115225R1001	Switch fuse	26
OS63GD04FK	1SCA116739R1001	Switch fuse	26
OS63GD04FP	1SCA115228R1001	Switch fuse	26
OS63GD04N2	1SCA115208R1001	Switch fuse	26
OS63GD04N2K	1SCA116876R1001	Switch fuse	26
OS63GD04N2P	1SCA115209R1001	Switch fuse	26
OS63GDS30	1SCA116007R1001	Switch fuse	26
OS63GDS30K	1SCA115931R1001	Switch fuse	26

Switch fuses

Index

Type	Order number	Description	Page
OS63GDS40F	1SCA116877R1001	Switch fuse	26
OS63GDS40N2	1SCA116047R1001	Switch fuse	26
OS63GDS40N2K	1SCA116403R1001	Switch fuse	26
OS800B02	1SCA022837R6560	Switch fuse	50
OS800B02P	1SCA022837R6480	Switch fuse	50
OS800B03	1SCA022825R7470	Switch fuse	50
OS800B03K	1SCA108713R1001	Switch fuse	50
OS800B03N3	1SCA110102R1001	Switch fuse	50
OS800B03N3P	1SCA100861R1001	Switch fuse	50
OS800B03P	1SCA022825R7550	Switch fuse	50
OS800B04F	1SCA022825R7710	Switch fuse	50
OS800B04FK	1SCA110316R1001	Switch fuse	50
OS800B04FP	1SCA022825R7800	Switch fuse	50
OS800B04N1	1SCA022837R6050	Switch fuse	50
OS800B04N1P	1SCA022837R6130	Switch fuse	50
OS800BS30	1SCA108083R1001	Switch fuse	50
OS800BS30K	1SCA108084R1001	Switch fuse	50
OS800BS40F	1SCA108085R1001	Switch fuse	50
OS800BS40FK	1SCA108102R1001	Switch fuse	50
OS800D02	1SCA022837R2570	Switch fuse	33
OS800D02P	1SCA022837R2650	Switch fuse	33
OS800D03	1SCA022825R4700	Switch fuse	33
OS800D03K	1SCA108725R1001	Switch fuse	33
OS800D03P	1SCA022825R4880	Switch fuse	33
OS800D04F	1SCA022825R8520	Switch fuse	33
OS800D04FK	1SCA110299R1001	Switch fuse	33
OS800D04FP	1SCA022825R5000	Switch fuse	33
OS800D04N2	1SCA022825R5690	Switch fuse	33
OS800D04N2K	1SCA108722R1001	Switch fuse	33
OS800D04N2P	1SCA022825R5180	Switch fuse	33
OS800DS30	1SCA108098R1001	Switch fuse	33
OS800DS30K	1SCA108099R1001	Switch fuse	33
OS800DS40F	1SCA108100R1001	Switch fuse	33
OS800DS40FK	1SCA108101R1001	Switch fuse	33
OS800DS40N2	1SCA108103R1001	Switch fuse	33
OS800DS40N2K	1SCA108104R1001	Switch fuse	33
OS800L02	1SCA116920R1001	Fusible disconnect switch	63
OS800L02P	1SCA116921R1001	Fusible disconnect switch	63
OS800L03	1SCA022825R9760	Fusible disconnect switch	63
OS800L03P	1SCA022825R9920	Fusible disconnect switch	63
OS800L04F	1SCA022839R5350	Fusible disconnect switch	63
OS800L04FP	1SCA022839R5430	Fusible disconnect switch	63
OSB1250DK	1SCA107797R1001	Direct mount handle	72
OSB160/4	1SCA131820R1001	Phase barrier	83
OSB160/6	1SCA131821R1001	Phase barrier	83
OSB250/4	1SCA131822R1001	Phase barrier	83
OSB250/6	1SCA131823R1001	Phase barrier	83
OSD25P3	1SCA022192R9060	Blown fuse indicator	93
OSD25P4	1SCA022196R9520	Blown fuse indicator	93
OSFC1/B10	1SCA149864R1001	Spare part kit	96
OSFC10/B4	1SCA149865R1001	Spare part kit	96
OSFC11	1SCA149866R1001	Spare part kit	96
OSFC12	1SCA149867R1001	Spare part kit	96
OSFC13	1SCA149868R1001	Spare part kit	96
OSFC14	1SCA149869R1001	Spare part kit	96
OSFC15	1SCA149870R1001	Spare part kit	96
OSFC16	1SCA149871R1001	Spare part kit	96
OSFC2/B10	1SCA149572R1001	Spare part kit	96
OSFC3/B10	1SCA149873R1001	Spare part kit	96

Switch fuses

Index

Type	Order number	Description	Page
OSFC4/B10	1SCA149874R1001	Spare part kit	96
OSFC5/B10	1SCA149875R1001	Spare part kit	96
OSFC6/B10	1SCA149876R1001	Spare part kit	96
OSFC7/B10	1SCA149877R1001	Spare part kit	96
OSFC8/B10	1SCA149878R1001	Spare part kit	96
OSFC9/B4	1SCA149879R1001	Spare part kit	96
OSGD125P3	1SCA115690R1001	Blown fuse indicator	93
OSGD125P4	1SCA115692R1001	Blown fuse indicator	93
OSGD50P3	1SCA116401R1001	Blown fuse indicator	93
OSGD50P4	1SCA115689R1001	Blown fuse indicator	93
OSGZD1	1SCA115688R1001	Mounting accessory	95
OSM100GB3M230C	1SCA116679R1001	Motorized switch fuse	54
OSM100GB4N1M230C	1SCA118779R1001	Motorized switch fuse	54
OSM1250B3M230C	1SCA112552R1001	Motorized switch fuse	54
OSM1250B3N3M230C	1SCA112550R1001	Motorized switch fuse	54
OSM1250B4N1M230C	1SCA118795R1001	Motorized switch fuse	54
OSM1250D3M230C	1SCA112549R1001	Motorized switch fuse	37
OSM1250D3N3M230C	1SCA112547R1001	Motorized switch fuse	37
OSM1250D4N2M230C	1SCA118850R1001	Motorized switch fuse	37
OSM1250DA3M230C	1SCA112546R1001	Motorized switch fuse	37
OSM1250DA3N3M230C	1SCA112544R1001	Motorized switch fuse	37
OSM1250DA4N2M230C	1SCA118851R1001	Motorized switch fuse	37
OSM125GB3M230C	1SCA116677R1001	Motorized switch fuse	54
OSM125GB4N1M230C	1SCA118780R1001	Motorized switch fuse	54
OSM125GD3M230C	1SCA116674R1001	Motorized switch fuse	37
OSM125GD4N2M230C	1SCA118828R1001	Motorized switch fuse	37
OSM160GB3M230C	1SCA116670R1001	Motorized switch fuse	54
OSM160GB4N1M230C	1SCA118781R1001	Motorized switch fuse	54
OSM160GD3M230C	1SCA116673R1001	Motorized switch fuse	37
OSM160GD4N2M230C	1SCA118831R1001	Motorized switch fuse	37
OSM200B3M230C	1SCA104272R1001	Motorized switch fuse	54
OSM200B3N3M230C	1SCA104323R1001	Motorized switch fuse	54
OSM200B4N1M230C	1SCA118784R1001	Motorized switch fuse	54
OSM200D3M230C	1SCA104284R1001	Motorized switch fuse	37
OSM200D3N3M230C	1SCA104282R1001	Motorized switch fuse	37
OSM200D4N2M230C	1SCA118836R1001	Motorized switch fuse	37
OSM250B3M230C	1SCA104287R1001	Motorized switch fuse	54
OSM250B3N3M230C	1SCA104290R1001	Motorized switch fuse	54
OSM250B4N1M230C	1SCA118785R1001	Motorized switch fuse	54
OSM250D3M230C	1SCA104295R1001	Motorized switch fuse	37
OSM250D3N3M230C	1SCA104297R1001	Motorized switch fuse	37
OSM250D4N2M230C	1SCA118838R1001	Motorized switch fuse	37
OSM315B3M230C	1SCA104303R1001	Motorized switch fuse	54
OSM315B3N3M230C	1SCA104306R1001	Motorized switch fuse	54
OSM315B4N1M230C	1SCA118788R1001	Motorized switch fuse	54
OSM32GB3M230C	1SCA116662R1001	Motorized switch fuse	54
OSM32GB4N1M230C	1SCA118775R1001	Motorized switch fuse	54
OSM32GD3M230C	1SCA116664R1001	Motorized switch fuse	37
OSM32GD4N2M230C	1SCA118822R1001	Motorized switch fuse	37
OSM400B3M230C	1SCA104310R1001	Motorized switch fuse	54
OSM400B3N3M230C	1SCA104312R1001	Motorized switch fuse	54
OSM400B4N1M230C	1SCA118789R1001	Motorized switch fuse	54
OSM400D3M230C	1SCA104315R1001	Motorized switch fuse	37
OSM400D3N3M230C	1SCA104317R1001	Motorized switch fuse	37
OSM400D4N2M230C	1SCA118842R1001	Motorized switch fuse	37
OSM630B3M230C	1SCA104516R1001	Motorized switch fuse	54
OSM630B3N3M230C	1SCA104535R1001	Motorized switch fuse	54
OSM630B4N1M230C	1SCA118791R1001	Motorized switch fuse	54
OSM630D3M230C	1SCA104518R1001	Motorized switch fuse	37

Switch fuses

Index

Type	Order number	Description	Page
OSM630D3N3M230C	1SCA104533R1001	Motorized switch fuse	37
OSM630D4N2M230C	1SCA118846R1001	Motorized switch fuse	37
OSM63GB3M230C	1SCA116657R1001	Motorized switch fuse	54
OSM63GB4N1M230C	1SCA118776R1001	Motorized switch fuse	54
OSM63GD3M230C	1SCA116660R1001	Motorized switch fuse	37
OSM63GD4N2M230C	1SCA118865R1001	Motorized switch fuse	37
OSM800B3M230C	1SCA104520R1001	Motorized switch fuse	54
OSM800B3N3M230C	1SCA104536R1001	Motorized switch fuse	54
OSM800B4N1M230C	1SCA118792R1001	Motorized switch fuse	54
OSM800D3M230C	1SCA104522R1001	Motorized switch fuse	37
OSM800D3N3M230C	1SCA104534R1001	Motorized switch fuse	37
OSM800D4N2M230C	1SCA118847R1001	Motorized switch fuse	37
OSMC1/B4	1SCA149880R1001	Spare part kit	96
OSMC2/B4	1SCA149881R1001	Spare part kit	96
OSMC3	1SCA149882R1001	Spare part kit	96
OSMC4	1SCA149883R1001	Spare part kit	96
OSMC5	1SCA149884R1001	Spare part kit	96
OSP1250B	1SCA107950R1001	Fourth pole	81
OSP1250D	1SCA107946R1001	Fourth pole	81
OSP1250DA	1SCA112402R1001	Fourth pole	81
OSP1250N	1SCA107943R1001	Neutral link	81
OSP160GB	1SCA114769R1001	Fourth pole	81
OSP160GD	1SCA114768R1001	Fourth pole	81
OSP160GN	1SCA114770R1001	Fourth pole	81
OSP200B	1SCA022735R9180	Fourth pole	81
OSP200D	1SCA022735R8960	Fourth pole	81
OSP200N	1SCA022735R8700	Fourth pole	81
OSP250B	1SCA022770R4030	Fourth pole	81
OSP250D	1SCA022735R9340	Fourth pole	81
OSP250N	1SCA022735R9260	Fourth pole	81
OSP400B	1SCA022770R3140	Fourth pole	81
OSP400D	1SCA022770R3220	Fourth pole	81
OSP400N	1SCA022770R3490	Fourth pole	81
OSP800B	1SCA100434R1001	Fourth pole	81
OSP800D	1SCA100433R1001	Fourth pole	81
OSP800N	1SCA100432R1001	Fourth pole	81
OSS1250G1L/3	1SCA107938R1001	Terminal shroud	84
OSS1250G1L/4	1SCA107940R1001	Terminal shroud	84
OSS1250G1S/3	1SCA107939R1001	Terminal shroud	84
OSS1250G1S/4	1SCA107941R1001	Terminal shroud	84
OSS160GG1L/3	1SCA114764R1001	Terminal shroud	84
OSS160GG1L/4	1SCA114765R1001	Terminal shroud	84
OSS160GG1S/3	1SCA114766R1001	Terminal shroud	84
OSS160GG1S/4	1SCA114767R1001	Terminal shroud	84
OSS160GG3LS	1SCA121570R1001	Terminal shroud	85
OSS160GG4LS	1SCA121571R1001	Terminal shroud	85
OSS200G1L/3	1SCA022731R8910	Terminal shroud	84
OSS200G1L/4	1SCA022731R9040	Terminal shroud	84
OSS200G1S/3	1SCA022732R0130	Terminal shroud	84
OSS200G1S/4	1SCA022732R0050	Terminal shroud	84
OSS250G1L	1SCA022727R5080	Terminal shroud	84
OSS250G1L/3	1SCA022731R9390	Terminal shroud	84
OSS250G1L/4	1SCA022731R9470	Terminal shroud	84
OSS250G1S	1SCA022727R4940	Terminal shroud	84
OSS250G1S/3	1SCA022731R9550	Terminal shroud	84
OSS250G1S/4	1SCA022731R9630	Terminal shroud	84
OSS250G1SH/1	1SCA103500R1001	Terminal shroud	84
OSS400G1L/3	1SCA022776R6650	Terminal shroud	84
OSS400G1L/4	1SCA022776R6730	Terminal shroud	84

Switch fuses

Index

Type	Order number	Description	Page
OSS400G1S/3	1SCA022776R6900	Terminal shroud	84
OSS400G1S/4	1SCA022776R7030	Terminal shroud	84
OSS400G1SH/1	1SCA103503R1001	Terminal shroud	84
OSS400G3LS	1SCA100396R1001	Terminal shroud	85
OSS400G3SS	1SCA100390R1001	Terminal shroud	85
OSS400G4LSL	1SCA100398R1001	Terminal shroud	85
OSS400G4LSR	1SCA100400R1001	Terminal shroud	85
OSS400G4SSL	1SCA100392R1001	Terminal shroud	85
OSS400G4SSR	1SCA100394R1001	Terminal shroud	85
OSS800G1L/3	1SCA022776R7200	Terminal shroud	84
OSS800G1L/4	1SCA022776R7380	Terminal shroud	84
OSS800G1S/3	1SCA022776R7540	Terminal shroud	84
OSS800G1S/4	1SCA022776R7460	Terminal shroud	84
OSV200BK	1SCA022779R7530	Direct mount handle	72
OSV250DK	1SCA022763R3510	Direct mount handle	72
OSV400BK	1SCA022763R3930	Direct mount handle	72
OSV400DK	1SCA022763R4230	Direct mount handle	72
OSV800DK	1SCA107794R1001	Direct mount handle	72
OSVY1250DK	1SCA108702R1001	Direct mount handle	72
OSVY200BK	1SCA022779R7700	Direct mount handle	72
OSVY250DK	1SCA022778R6500	Direct mount handle	72
OSVY400BK	1SCA022779R5830	Direct mount handle	72
OSVY400DK	1SCA022779R5590	Direct mount handle	72
OSVY800DK	1SCA108703R1001	Direct mount handle	72
OSZ1	1SCA022481R3710	Neutral link	82
OSZ2	1SCA022481R3800	Neutral link	82
OSZ4	1SCA022530R0200	Mounting frame	76
OSZ4	1SCA022530R0200	Mounting accessory	92
OSZT1A	1SCA106532R1001	Interlock	94
OSZT1L	1SCA106538R1001	Interlock	94
OSZT2A	1SCA106534R1001	Interlock	94
OSZT2L	1SCA106539R1001	Interlock	94
OSZT3A	1SCA106535R1001	Interlock	94
OSZT3L	1SCA106540R1001	Interlock	94
OSZT4A	1SCA106536R1001	Interlock	94
OSZT4L	1SCA106541R1001	Interlock	94
OSZX3	1SCA101224R1001	Blown fuse indicator	93
OSZX4	1SCA101225R1001	Blown fuse indicator	93
OTS1600G1L	1SCA106134R1001	Terminal shroud	84
OTS1600G1S	1SCA102667R1001	Terminal shroud	84
OTS250G1L	1SCA022715R5340	Terminal shroud	84
OTS250G1S	1SCA022715R5260	Terminal shroud	84
OTS800G1L	1SCA022776R7710	Terminal shroud	84
OTVS1	1SCA111413R1001	Storage clip	83
OTVS2	1SCA111414R1001	Storage clip	83
OTZS2/B10	1SCA126043R1001	Spare part kit	96
OTZT1A	1SCA106522R1001	Interlock	94
OTZT1L	1SCA106527R1001	Interlock	94
OTZW10	1SCA022431R5280	Conversion kit	90
OTZW25	1SCA022778R6920	Conversion kit	90
OTZW26	1SCA022778R7060	Conversion kit	90
OXN1250S	1SCA104163R1001	Neutral link	82
OXN250	1SCA022752R9950	Neutral link	82
OXN250	1SCA022752R9950	Neutral link	82
OXN400	1SCA022770R3060	Neutral link	82
OXN800S	1SCA022831R1880	Neutral link	82
OXPI2X250	1SCA022325R6980	Extended shaft	74
OXPI2X280	1SCA022137R5140	Extended shaft	74, 75
OXPI2X280-45	1SCA022382R0800	Extended shaft	75

Switch fuses

Index

Type	Order number	Description	Page
EXP12X325	1SCA022042R5810	Extended shaft	74, 75
EXP12X325-45	1SCA022304R4450	Extended shaft	75
EXP12X395	1SCA022042R5990	Extended shaft	74, 75
EXP12X465	1SCA022042R6020	Extended shaft	74, 75
EXP12X535	1SCA022042R6110	Extended shaft	74, 75
EXP6X130	1SCA022057R0570	Extended shaft	73, 74
EXP6X150	1SCA022295R5600	Extended shaft	73
EXP6X150-45	1SCA022294R4400	Extended shaft	73
EXP6X161	1SCA022067R1760	Extended shaft	73, 74
EXP6X170	1SCA108224R1001	Extended shaft	73
EXP6X170-45	1SCA108227R1001	Extended shaft	73
EXP6X210	1SCA022295R6080	Extended shaft	73, 74
EXP6X210-45	1SCA022294R4230	Extended shaft	73, 74
EXP6X265	1SCA108225R1001	Extended shaft	73
EXP6X265-45	1SCA108228R1001	Extended shaft	73
EXP6X290	1SCA022042R6370	Extended shaft	73, 74
EXP6X290-45	1SCA022304R4290	Extended shaft	73, 74
EXP6X360	1SCA022042R6530	Extended shaft	73, 74
EXP6X360-45	1SCA022341R4640	Extended shaft	73, 74
EXP6X400	1SCA108226R1001	Extended shaft	73
EXP6X400-45	1SCA108229R1001	Extended shaft	73
EXP6X430	1SCA022056R6030	Extended shaft	73, 74
EXP6X63	1SCA111010R1001	Extended shaft	73, 74
EXP6X90	1SCA022064R1180	Extended shaft	73, 74
OZX1	1SCA105708R1001	Spare part kit	96
OZX1200		Terminal lug kit	89
OZX1200		Terminal lug kit	89
OZX1200		Terminal lug kit	89
OZX1200		Terminal lug kit	89
OZX1200		Terminal lug kit	89
OZX1200		Terminal lug kit	89
OZXB17	1SCA022859R3230	Terminal clamp set	86
OZXB1L	1SCA022169R2030	Terminal clamp set	86
OZXB2	1SCA022119R7610	Terminal clamp set	86
OZXB2K	1SCA022264R0010	Terminal shroud	85
OZXB2L	1SCA022158R7750	Terminal clamp set	86, 87
OZXB3	1SCA022136R8100	Terminal clamp set	86, 87, 88
OZXB3K	1SCA022264R0440	Terminal shroud	85
OZXB4	1SCA022137R4760	Terminal clamp set	86, 87, 88
OZXB4K	1SCA022199R2850	Terminal shroud	85
OZXB5	1SCA022137R2470	Terminal clamp set	86, 87, 88
OZXB5K	1SCA022283R8040	Terminal shroud	85
OZXB6	1SCA022137R4920	Terminal clamp set	87, 88
OZXB7	1SCA022785R0040	Terminal clamp set	87
OZXB7L	1SCA022185R7130	Terminal clamp set	86, 87, 88
OZXB8	1SCA022744R1510	Terminal clamp set	86, 87, 88
OZXB9	1SCA022750R3210	Terminal clamp set	86, 87, 88
OZXP120	1SCA115540R1001	Terminal clamp set	88
OZXP150	1SCA115541R1001	Terminal clamp set	88
OZXP240	1SCA115542R1001	Terminal clamp set	88
OZXP2X240	1SCA115544R1001	Terminal clamp set	88
OZXP300	1SCA115543R1001	Terminal clamp set	88
OZXP95	1SCA115539R1001	Terminal clamp set	88
OZXR185	1SCA115531R1001	Terminal clamp set	88
OZXR240	1SCA115532R1001	Terminal clamp set	88
OZXR2X185	1SCA115534R1001	Terminal clamp set	88
OZXR2X300	1SCA115535R1001	Terminal clamp set	88
OZXR300	1SCA115533R1001	Terminal clamp set	88
OZXR70	1SCA115529R1001	Terminal clamp set	88
OZXR95	1SCA115530R1001	Terminal clamp set	88

Switch fuses

Index

Type	Order number	Description	Page
OZXT1	1SCA022469R6310	Terminal clamp set	86
PB200 high	1SDA054972R1	Phase barrier	83
PDAL2/110AC50Hz	1SCA106543R1001	Coil	95
PDAL2/110AC60Hz	1SCA107100R1001	Coil	95
PDAL2/110DC	1SCA107105R1001	Coil	95
PDAL2/120AC60Hz	1SCA111353R1001	Coil	95
PDAL2/125DC	1SCA111338R1001	Coil	95
PDAL2/208AC60Hz	1SCA107101R1001	Coil	95
PDAL2/220DC	1SCA112503R1001	Coil	95
PDAL2/230AC50Hz	1SCA107102R1001	Coil	95
PDAL2/240AC60Hz	1SCA111356R1001	Coil	95
PDAL2/24AC60Hz	1SCA111350R1001	Coil	95
PDAL2/24DC	1SCA106542R1001	Coil	95
PDAL2/48DC	1SCA107103R1001	Coil	95
PDAL2/60DC	1SCA107104R1001	Coil	95
PTS800G1S	1SCA022776R8010	Terminal shroud	84

Switch fuses

Marketing material

Webpage: Manual operated switch fuses

Homepage for Manual operated switch fuses.



new.abb.com/low-voltage/products/switches/manual-operated-switch-fuses

Webpage: Motorized switch fuses

Homepage for Motorized switch fuses.



new.abb.com/low-voltage/products/switches/motor-operated-switch-fuses

Catalog: Switch fuses

Switch fuses -catalog with complete ordering information.



Document ID: 1SCC311013C0201

Catalog: Fuse links

Fuse links -catalog with complete ordering information.



Document ID: 1SCC317001C0201

Coordination tables

Test proven type 2 coordination tables where you can easily select the appropriate ABB components for motor starting and protection.



applications.it.abb.com/SOC/Page/Selection.aspx

Video

World class performance in the most demanding applications.



youtu.be/I6h8UvbVxAA

Switch fuses

Marketing material

Blog
What's inside counts.



www.abb-conversations.com/2017/05/whats-inside-counts/

Customer case: Pogliano
Supplying busbar trunking systems to the world.



<http://new.abb.com/low-voltage/news/pogliano>

ABB Oy

Protection and Connection

P.O. Box 622

FI-65101 Vaasa, Finland

Phone: +358 10 22 11

Fax: +358 10 22 45708

www.abb.com

Find the address of your local sales organization on the ABB homepage:

www.abb.com/contacts

> Low Voltage Products and Systems

Note: We reserve the right to make technical changes or modify the contents of this document without prior notice. With regard to purchase orders, the agreed particulars shall prevail. ABB does not accept any responsibility whatsoever for potential errors or possible lack of information in this document.

We reserve all rights in this document and in the subject matter and illustrations contained therein. Any reproduction, disclosure to third parties or utilization of its contents – in whole or in parts – is forbidden without prior written consent of ABB.

