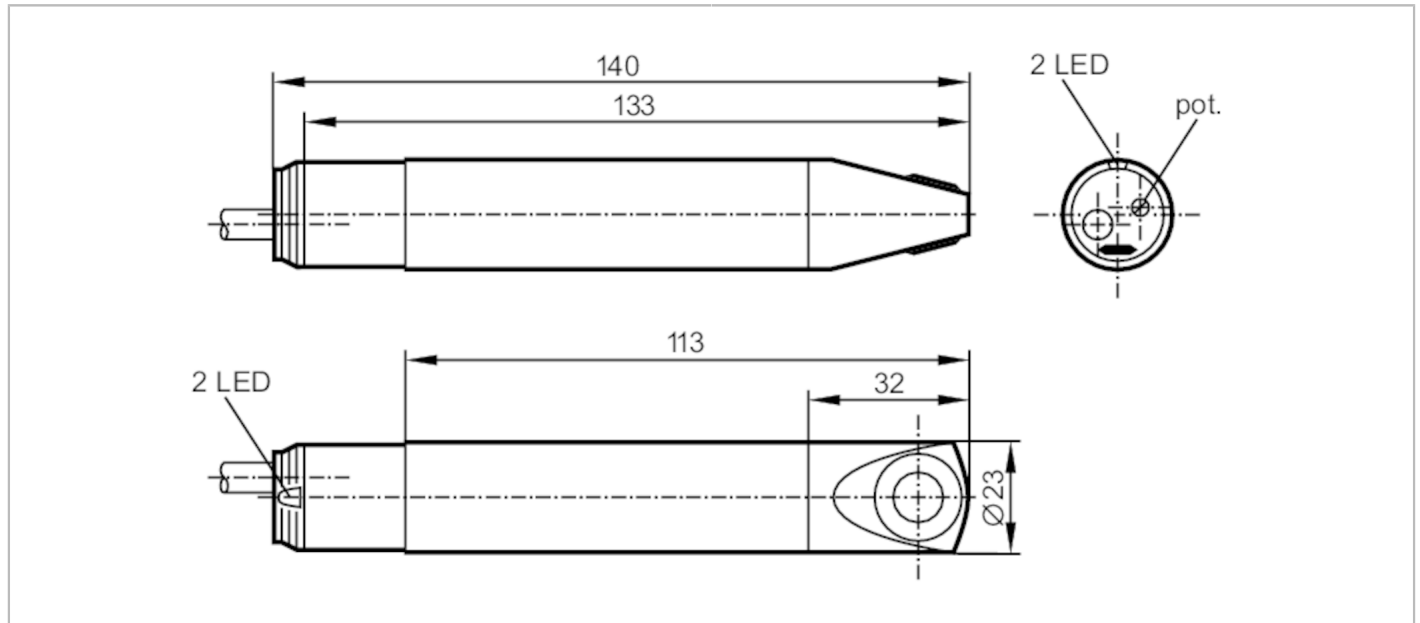


SL5101



Air flow monitors

SLG23CEEAKOG/24VDC



Made in Germany

Application	
Pressure rating	[bar] 1
Electrical data	
Operating voltage tolerance	[%] -25...25
Operating voltage	[V] 24 DC
Min. insulation resistance	[MΩ] 100; (500 V DC)
Power-on delay time	[s] 60
Outputs	
Output signal	switching signal
Number of relay outputs	1
Contact rating	3 A (30 V DC / 250 V AC)
Switching function flow monitoring	relay energised when flow is present
Measuring/setting range	
Gases	
Setting range	[cm/s] 100...1000
Greatest sensitivity	[cm/s] 100...400
Accuracy / deviations	
Temperature gradient	[K/min] 5
Response times	
Response time	[s] 3...60
Gases	
Response time	[s] 3...60
Software / programming	
Adjustment of the switch point	potentiometer

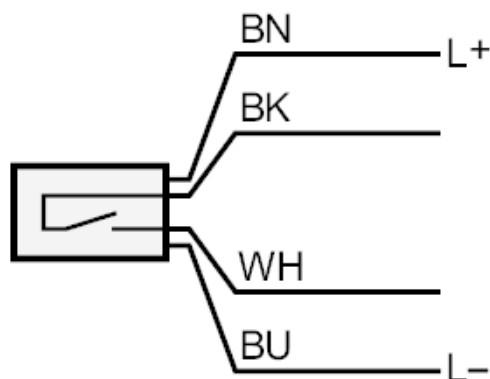
SL5101



Air flow monitors

SLG23CEEAKOG/24VDC

Operating conditions		
Ambient temperature	[°C]	-10...50
Max. relative air humidity	[%]	90
Protection		IP 54
Tests / approvals		
MTTF	[years]	1202
Mechanical data		
Weight	[g]	189.6
Dimensions	[mm]	Ø 23
Materials		housing: PBT; sensor surface: titanium
Materials (wetted parts)		PBT; titanium
Process connection		Ø 23 mm
Displays / operating elements		
Display	function	1 x LED, red
	function	1 x LED, green
Accessories		
Accessories (supplied)		Mounting clamp: 1, E40048 screwdrivers
Remarks		
Pack quantity		1 pcs.
Electrical connection		
Connection		



Core colours :

BN =	brown
BU =	blue
BK =	black
WH =	white