

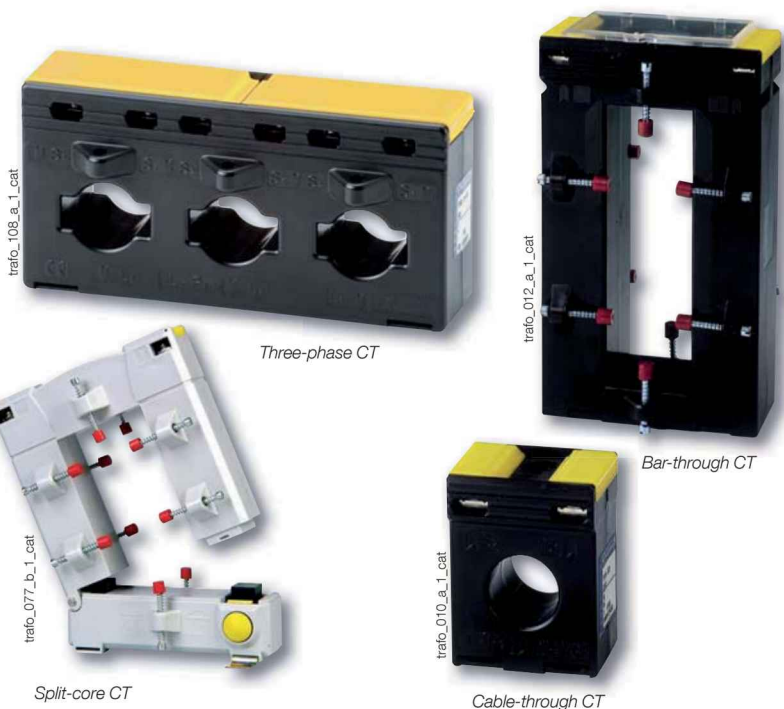


Metering, monitoring
& power quality

Current transformers

Measurement devices

from 5 to 5000 A



Three-phase CT

Bar-through CT

Split-core CT

Cable-through CT

The solution for

- > Industry.
- > Service sector.



Strong points

- > An adapted accuracy class.
- > A wide range of ratings and dimensions.
- > Quick and easy to mount.

Conformity to standards

- > IEC 61869-2
- > IEC 61439-1



Other products

SOCOMECC also offer customised solutions:

- > 1 A secondary.
- > Double or triple primary ratio.
- > Voltage transformer.
- > Summation CTs.

Function

SOCOMECC current transformers deliver to the secondary a standard current proportional to the primary current and adapted to the rating of the associated device. They are equipped as standard with removable terminal covers and double terminals allowing the secondary to be short-circuited without any risk.

They are mounted using two screw-on metal brackets or, in certain cases, by a clip-on DIN-rail fastener. The connections are made by screws or by fast-on terminals.

- Accuracy class: 0.2s - 0.5 or 1.
- Dielectric quality: 3 kV - 50 Hz - 1 min.
- Operating frequency: 50 - 60 Hz.
- Permanent overload: 1.2 In.
- Insulation class: E (120 °C).

Advantages

An adapted accuracy class

In order to get the best of your DIRIS multifunction meters and COUNTIS energy meters, we can provide current transformers with the following accuracy classes: 0.2s; 0.5; 1 or 3.

A wide range of ratings and dimensions

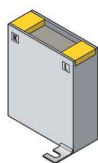
Your measurement process can be optimised whatever your needs in terms of ratings, space requirements, conductor sizing or accuracy class. A wide range of combinations are available in our standard range with specific versions available on request (other ratios, tropicalisation and specific frequency, class or burden).

Quick and easy to mount

Our current transformers are adapted to any type of mounting: edgewise or flat mounting, DIN-rail or back-plate mounting. Implementation is easy and rapid.

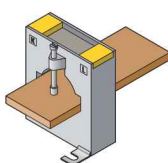
Composition of the range

trafo_013_b_1_cat



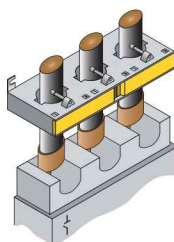
Primary wound moulded case CT

trafo_014_b_1_cat



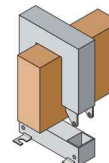
Bar or cable-through CT

trafo_126_a_1_x_cat



Bar or cable-through three-phase CT

trafo_015_b_1_cat



Split-core CT

Primary wound moulded case CT

References

Primary	Secondary ⁽¹⁾	TRB 60		TRB 70		T2RB 115		TRB 135	
		Class 0.5	Reference	Class 0.5	Reference	Class 0.2s	Reference	Class 0.5	Reference
5 A	5 A	2.5 VA	192T 0505	10 VA	192T 0521				
10 A	5 A	2.5 VA	192T 0510	10 VA	192T 0522				
15 A	5 A	2.5 VA	192T 0515	10 VA	192T 0523				
20 A	5 A	2.5 VA	192T 0520	10 VA	192T 0524				
25 A	5 A			10 VA	192T 0525	7.5 VA	192U 0402	10 VA	192T 0603
30 A	5 A			5 VA	192T 0530	7.5 VA	192U 0403	10 VA	192T 0607
40 A	5 A			5 VA	192T 0540	7.5 VA	192U 0404	10 VA	192T 0604
50 A	5 A			5 VA	192T 0550	7.5 VA	192U 0405	10 VA	192T 0605
60 A	5 A					7.5 VA	192U 0406	10 VA	192T 0606
75 A	5 A					7.5 VA	192U 0407	10 VA	192T 0608
80 A	5 A					7.5 VA	192U 0408	10 VA	192T 0609
100 A	5 A							10 VA	192T 0610
125 A	5 A					7.5 VA	192U 0412	10 VA	192T 0612
150 A	5 A					7.5 VA	192U 0415	10 VA	192T 0615

(1) Secondary 1 A: on request.

Accessories

Description of accessories	TRB 60 Reference	TRB 70 Reference	TRB 135 Reference
DIN-rail mounting	192T 0003	192T 0005 ⁽¹⁾	
Sealable cover	192T 0105	192T 0103	192T 0101 ⁽²⁾

(1) Not available for 50 A rating

(2) For 125 and 150 A ratings, use reference 192T 0103

CT Plug-in transducer (CEA-VA)

Power supply	Output	TRB 60 Reference	TRB 70 Reference
Self-supplied	0-20 mA/0-10 VDC	192Y 0015	192Y 0025 ⁽¹⁾
230 VAC	0-20 mA/0-10 VDC	192Y 0215	192Y 0225 ⁽¹⁾
24 VDC	0-20 mA/0-10 VDC	192Y 0115	192Y 0125 ⁽¹⁾

(1) Not available for 50 A rating

CT Plug-in transducer (CEA-VA4)

Power supply	Output	TRB 60 Reference	TRB 70 Reference
230 VAC	4-20 mA/0-10 VDC	192Y 0255	192Y 0265 ⁽¹⁾
24 VDC	4-20 mA/0-10 VDC	192Y 0155	192Y 0165 ⁽¹⁾

(1) Not available for 50 A rating

Certificate of performance

Each class 0.2s current transformer is supplied with an individual certificate of performance, attesting to its accuracy.

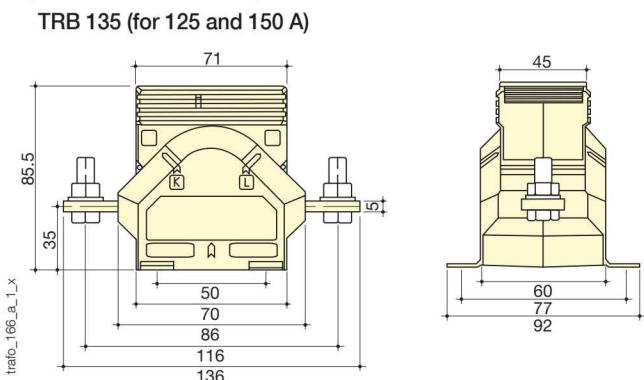
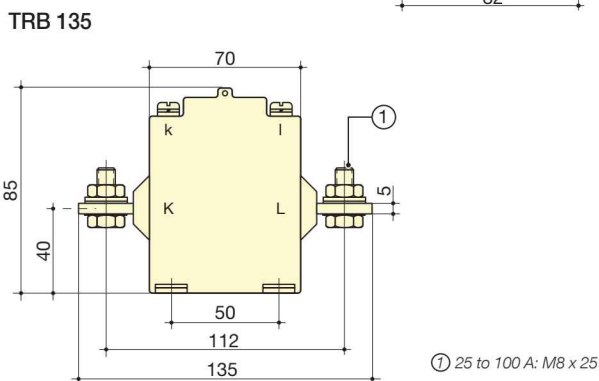
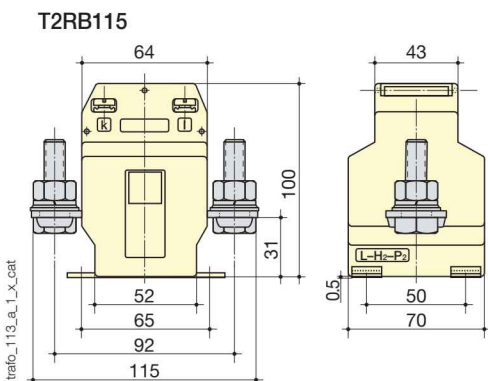
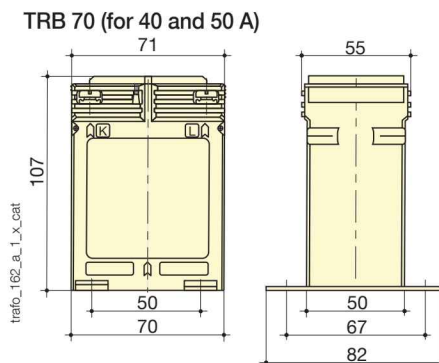
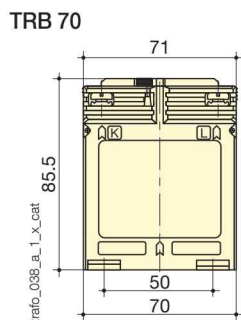
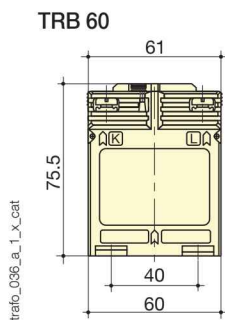
Current transformers

Measurement devices

from 5 to 5000 A

Primary wound moulded case CT (continued)

Dimensions



Primary wound CT	TRB 60	TRB 70 ⁽¹⁾	T2RB 115	TRB 135 ⁽²⁾
H x W x D (mm)	75,5 x 61 x 35	85,5 x 71 x 45	115 x 100 x 70	85 x 135 x 60
DIN-rail mounting	yes	yes	no	no

(1) Dimensions are different for TRB 70 with 40 and 50 A ratings.

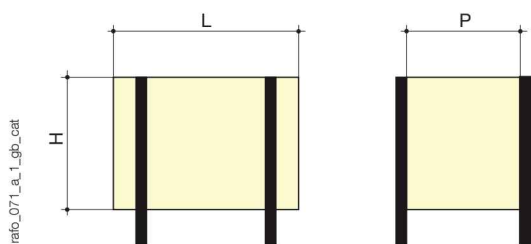
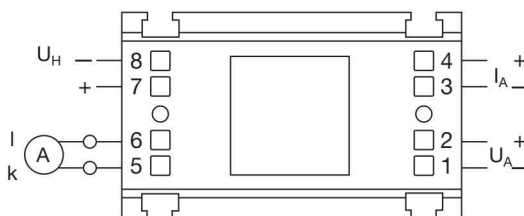
(2) Dimensions are different for TRB 135 with 125 and 150 A ratings.

Associated transducers



Transducer to be associated with adapted current transformers:

- Class 0.5.
- Input: 1 or 5 A.
- Output:
 - 0-20 mA, 0-10 V (type CEA-VA)
 - 4-20 mA, 0-10 V (type CEA-VA4)
- Self-supplied or auxiliary power supply 24 VDC or 230 VAC.
- 3 sizes according to the CT: type 1, 2 or 3.



Dimensions (mm)

Converter	For CT	Height (mm)	Width (mm)	Depth (mm)
Type 1	TRB 60	50.5	60	32.5
Type 2	TRB 70	50	70	43