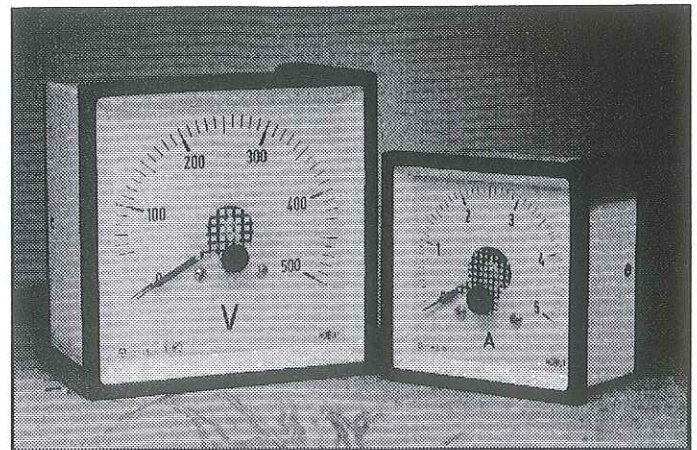


# 240° DIN RANGE PANEL METERS

# HOBUS

**DESCRIPTION** 96 x 96mm and 72 x 72mm DIN panel meters with 240° scales. All products have moving coil movements for AC or DC use and are manufactured to IEC51.

**APPLICATION** Used widely in the panel building industry where a standard DIN sized meter is required with a long scale for easy reading.



## D96/240° & D72/240° - AC RANGES

Rating	Burden	Accuracy Class
1A or 5A CT operated, with 2x0/L, scaled as necessary	0.7VA typically at 50Hz	1.5
Voltmeters up to 500V	6VA max	1.5

## D96/240° & D72/240° - FREQUENCY RANGES

Rating	Burden	Accuracy Class
45/65Hz, 220/240V standard	Up to 300mA at nominal voltage	1.5

## D96/240° & D72/240° - DC RANGES

Rating	Burden	Accuracy Class
1mA, scaled as necessary	Up to 500mV drop	1.5
4/20mA, scaled as necessary	Up to 2.5V drop	1.5
Voltmeters up to 600V	1mA (1000 Ω/V)	1.5
60mV to 300mV shunt operated, scaled as necessary	5mA (200 Ω/V)	1.5

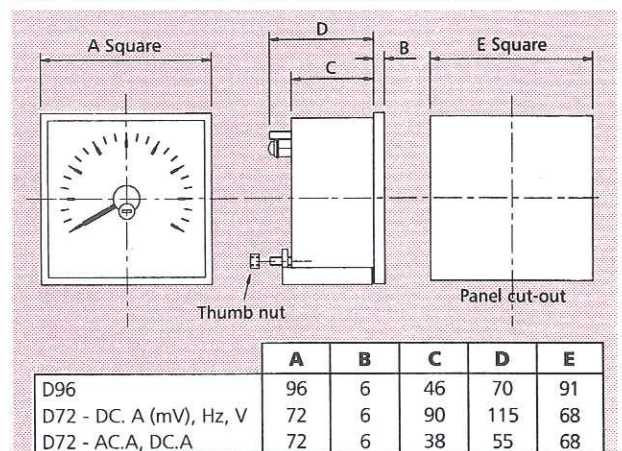
## Specifications

Scale marking: DIN 43802
Protection (front of panel): IP50 (IP54 by request)
Overload (A): 1.2 x rating 2 hrs / 10 x rating 5 seconds
Overload (V): 1.2 x rating 2 hrs / 2 x rating 5 seconds
Insulation test: 2kV 50Hz for 1 minute
Temperature: calibrated at 23°C, suitable for -25 to +40°C
Terminals: 2BA screw clamps

## Options

- Adjustable red secondary pointer
- Special scales
- 6.4mm faston terminal tags
- Terminal covers

## Dimensions (mm)



Our policy is one of continuous development and therefore specifications may change without notice.

## HOWARD BUTLER LTD

CROWN WORKS, LINCOLN ROAD  
WALSALL WS1 2EB ENGLAND

Tel: 01922 640003 Fax: 01922 723626

International Tel: +44 1922 640003 E-mail: sales@hobut.co.uk

<http://www.hobut.co.uk>