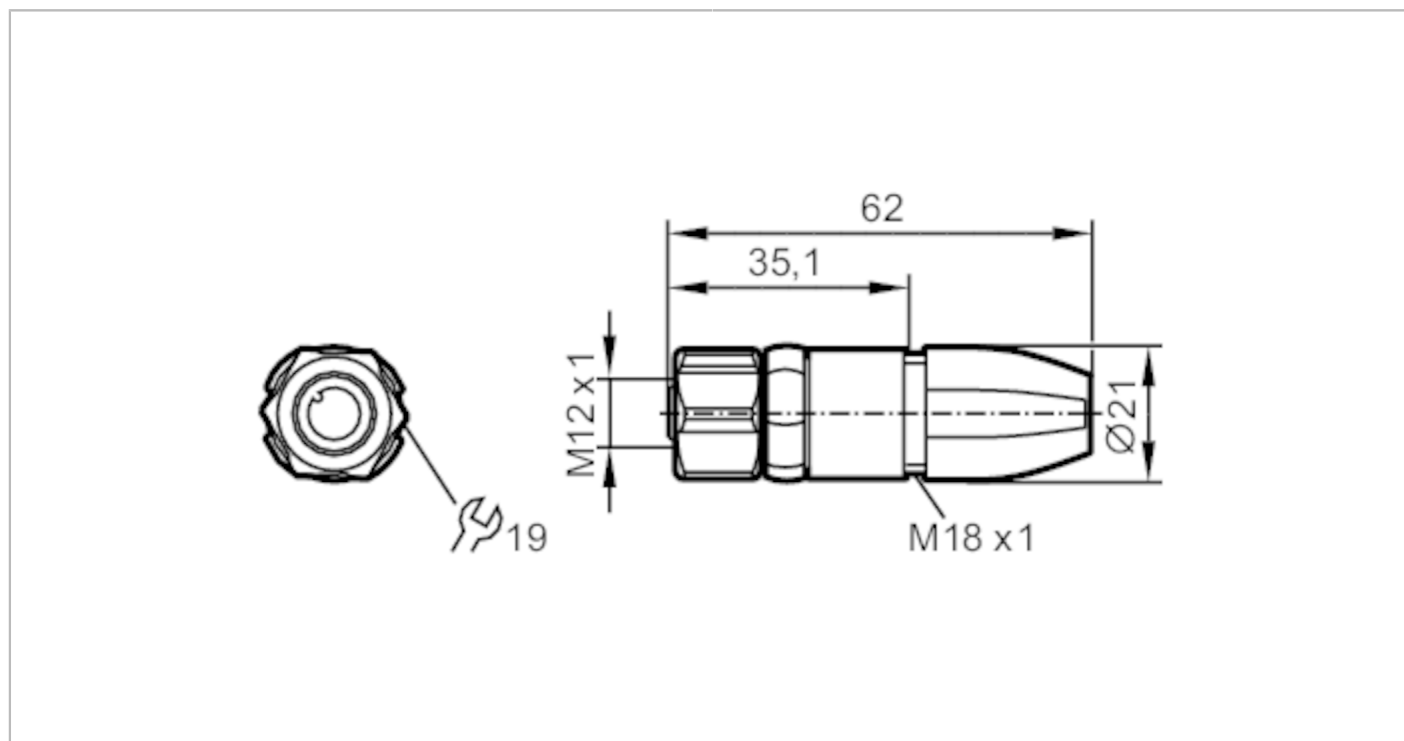


# EVC814



## Wirable socket

SDOGH050MSSFKPG



Application	
Special feature	Free from silicone; Gold-plated contacts
Free from silicone	yes
Electrical data	
Operating voltage [V]	< 60 AC/DC
Protection class	II
Max. current load total [A]	4; (...40 °C)
Operating conditions	
Ambient temperature [°C]	-25...90
Storage temperature [°C]	-25...55
Storage humidity [%]	10...100
Other climatic conditions for storage according to stated class	1K22/ DIN 60721-3-1
Protection	IP 65; IP 67; IP 68; IP 69K
Mechanical data	
Weight [g]	42.6
Materials	Moulded body: PA 6.6 orange; Sealing: FKM green
Material nut	nickel-plated brass
Remarks	
Pack quantity	1 pcs.

# EVC814



## Wirable socket

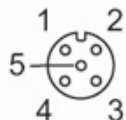
SDOGH050MSSFKPG

### Electrical connection

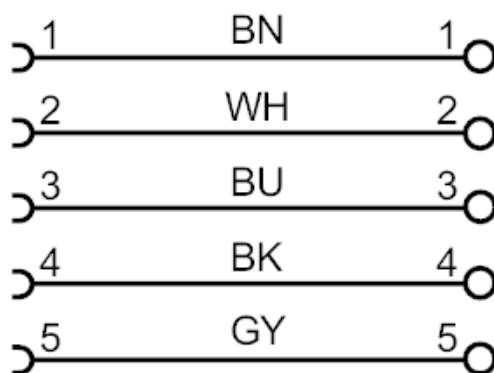
screw terminals: 0.25...1 mm<sup>2</sup>; Cable sheath: Ø 3.5...6 mm; AWG 23...17

### Electrical connection - socket

Connector: 1 x M12, straight; Moulded body: PA 6.6, orange; Locking: nickel-plated brass; Sealing: FKM; Contacts: gold-plated; Tightening torque: 0.6...1.2 Nm; Take into account the maximum value of the counterpart!



### Connection



#### Core colours

BN =	brown
WH =	white
BU =	blue
BK =	black
GY =	grey

colours to DIN EN 60947-5-2