

# Catalogue No: **800T-1TZ**

## PB 30.5mm ENCLOSURE SURFACE MOUNT 1 HOLE GREY

Operator Control Devices > Pushbuttons and Control Switches > Pushbuttons and Pilot Lights > Allen-Bradley  
800T/800H Pushbuttons > Pushbutton Enclosures > Die Cast Aluminium



Representative Photo Only  
(actual product may vary based on configuration selections)

### Enclosure Metal 30.5mm 1 Hole Grey

- 800T (metal) and 800H (plastic) 30.5mm product lines are designed and constructed to perform in the most demanding industrial environments.
- Button caps made from thermoplastic polyester resin and deliver excellent resistance to corrosive agents and ensure color identification is never lost.
- Operator bushings are made from die cast zinc alloy giving strength and stability in installation.
- Riveted construction of the operator bushing, diaphragm seal and base plate, by four secure steel rivets, provides increased durability and tamper resistance.

### SPECIFICATIONS

Product Series	800T
Component Type Pushbutton and Pilot Lights	Pushbutton Station Enclosure
Height	106.4 mm
Width	96.8 mm
Depth	81.8 mm
NEMA Enclosure Class (NEMA 250:2003)	Type 13 Type 4
Conduit Entry	1 x 0.75" entry
Operator Cutout(s)	1 x 30.5mm cutouts
Material, Body / Housing	Metal Die-Cast material
Colour, Body / Housing	Grey colour
Operating Temperature, Max	55 °C max
Operating Temperature, Min	-40 °C min
Storage Temperature, Max	85 °C max
Storage Temperature, Min	-40 °C min
Relative humidity, min	50 %RH
Relative Humidity, Max	95 %RH
Shock Acceleration (Max.)	100 g
Shock Duration (Max.)	11 ms
Vibration Acceleration (Max.)	10 g
Vibration Displacement (Peak to Peak Max.)	1.52 mm
Vibration Frequency, Operational (Max.)	2000 Hz
Standards Compliance	UL 508 CSA C22.2 No. 14 EN 60947-5-1 EN 60947-5-5 ISO 13850

# Catalogue No: **800T-1TZ**

## PB 30.5mm ENCLOSURE SURFACE MOUNT 1 HOLE GREY

Operator Control Devices > Pushbuttons and Control Switches > Pushbuttons and Pilot Lights > Allen-Bradley  
800T/800H Pushbuttons > Pushbutton Enclosures > Die Cast Aluminium

Certifications

CE  
CSA  
UL  
CCC

### REFERENCES

IECEX Certificate

-

Supplier Declaration of  
Conformity:

-

Installation Guide:

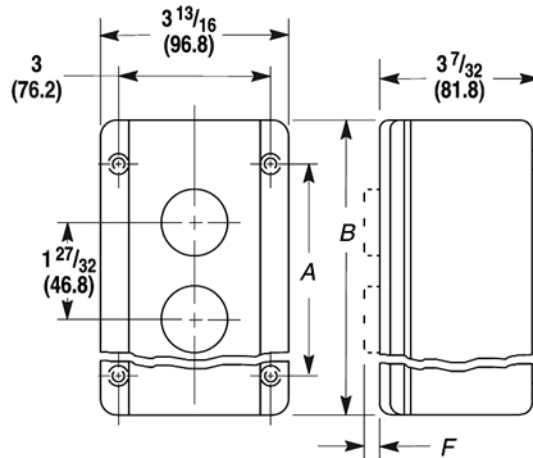
-

User Manual:

-

Manufacturer Datasheet: [800T1TZ\\_Manufacturer Datasheet](#)

Manufacturer Catalogue  
& Product Selection: [800T/800H\\_Manufacturer Catalogue](#)



Enclosure Dimensions

Dim.	No. of Units				
	1	2	3	4	6
A	2-3/4 (69.9)	4-1/2 (114.3)	6-1/4 (158.8)	8 (203.2)	12-1/8 (308)
B	4-3/16 (106.4)	5-7/8 (144.2)	7-9/16 (192.1)	9-1/2 (241.3)	13-1/2 (342.4)

Note: Mounting holes (4) — Screw shaft  $\frac{13}{64}$  in. (5.16 mm) max. diameter.

Dimension Diagram