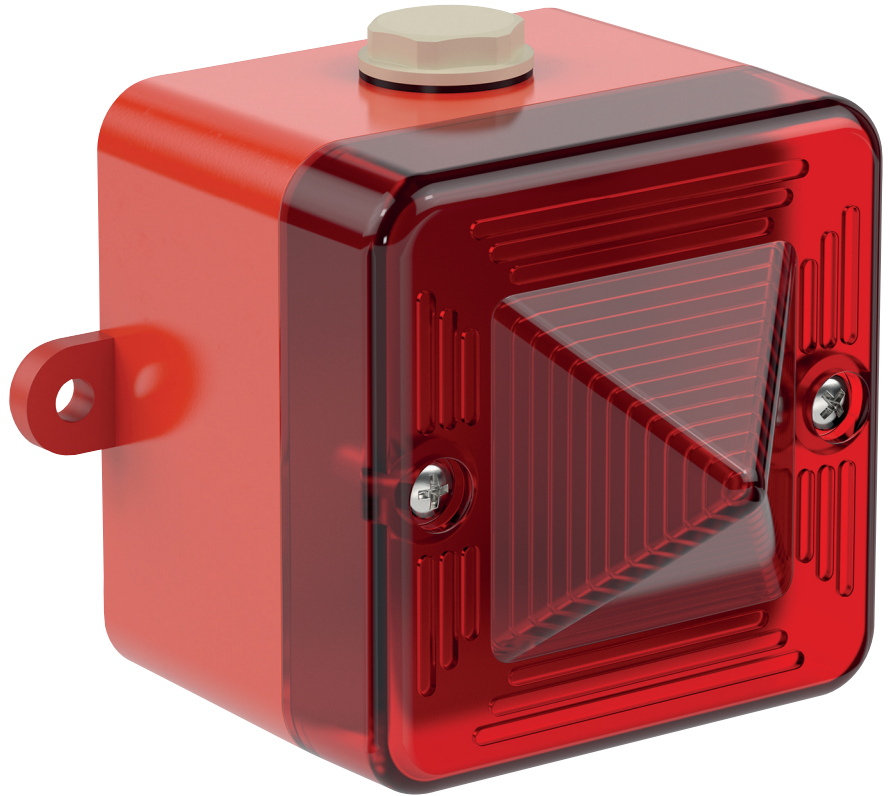


**Features**

- Input overload and reverse current protection
- Prismatic lens optimises LED effectiveness
- FM approval

**Assembly****Technical data****Electrical specifications**

Operating voltage	16 ... 28 V DC , via zener barrier or galvanic isolator
Operating current	25 mA
Terminal capacity	0.5 ... 2.5 mm <sup>2</sup>
Function	flashing beacon
Lens color	red , amber and clear clear with LEDs in green or blue
Flash mode	double flash at 2 Hz
Effective luminous intensity, measured	48 cd measured according to I.E.S.
Illuminant, type	array of 6x high-intensity LED

**Mechanical specifications**

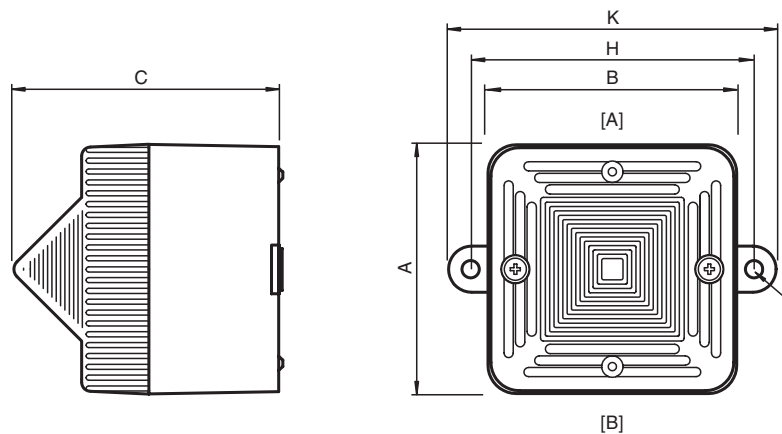
Degree of protection	IP66
Cable entry face A	
M20 quantity	1
M20 type	thru-holes
M20 info	Stopping Plug 1x plastic
Cable entry face B	
M20 quantity	1
M20 type	thru-holes
Material	
Enclosure	fiber reinforced ABS, UL94-V0 and 5VA
Finish	RAL 3000 (red)
Mounting bracket	stainless steel 1.4301 / AISI 304
Mass	0.4 kg
Dimensions	
External dimension (A)	86 mm
External dimension (B)	86 mm
External dimension (C)	93 mm

Release date 2020-01-21 15:30 Date of issue 2020-01-21 t191130\_eng.xml

Refer to "General Notes Relating to Pepperl+Fuchs Product Information".

Mounting holes distance (H)	98 mm
Mounting holes diameter (J)	6 mm
Maximum external dimension (K)	114 mm
<b>Ambient conditions</b>	
Ambient temperature	-40 ... 60 °C (-40 ... 140 °F)
Storage temperature	-40 ... 70 °C (-40 ... 158 °F)
<b>Data for application in connection with hazardous areas</b>	
EU-type examination certificate	SIRA 04 ATEX 2302X
Marking	⊕ II 1 G Ex ia IIC T* Ga , T4 @ Ta +60 °C
<b>International approvals</b>	
FM approval	
Approved for	Class I, Division 1, Groups A, B, C, D, T4 Class I, Zone 0, AEx ia IIC T4
IECEX approval	IECEX SIR 04.0039X
EAC approval	RU C-GB.MH04.B.00048
<b>Conformity</b>	
Degree of protection	EN 60529
<b>General information</b>	
Scope of delivery	device , 1 Stopping Plug , Instruction leaflet
Supplementary information	EC-Type Examination Certificate, Statement of Conformity, Declaration of Conformity, Attestation of Conformity and instructions have to be observed where applicable. For information see <a href="http://www.pepperl-fuchs.com">www.pepperl-fuchs.com</a> .

## Dimensions



## Legend

A	Height
B	Width
C	Depth
G	Mounting holes distance
H	Mounting holes distance
H1	Mounting holes distance from edge of bracket
J	Mounting holes diameter
K	Maximum outer dimension with bracket
K1	Maximum outer dimension with horn
S	Depth of mounting bracket
[A] ... [B]	Cable entry faces

Dimension values see technical data table.

Image and drawing are generic for this device type and may deviate from the specific variant.