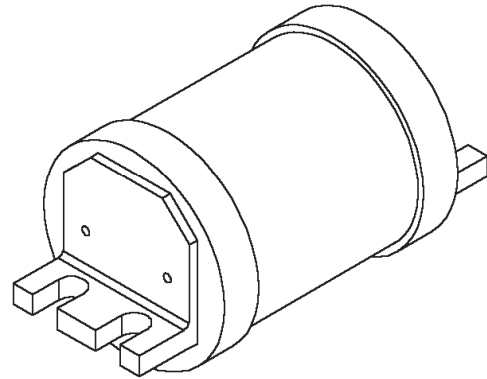
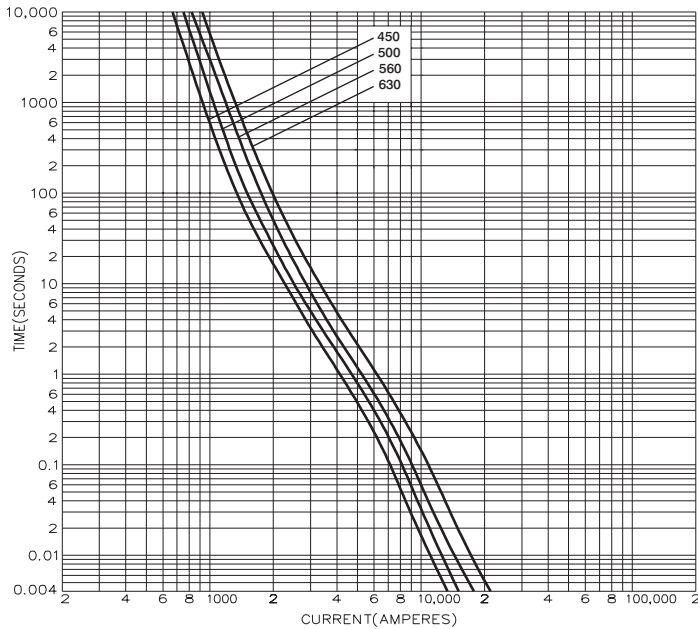


BS88, IEC269

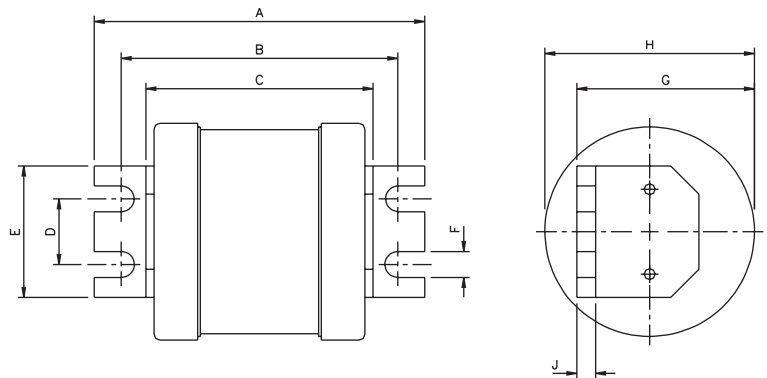
R20

Industrial HRC Fuse Links 660V Special Slotted Tag Arrangement

Time-Current Characteristic Curve



Dimensional Data



Carton Quantities:
1 per carton all ratings.

Ordering Code:
Rating followed by R20

Catalog Number	I ² t (Ampere ² Seconds)					Nom. Watts Loss	Rated Voltage	Dimensions (mm)								
	Amp Ratings	Pre-Arcing	Total at 415V	Total at 550V	Total at 660V			A	B	C	D	E	F	G	H	J
R20	450	880,000	1,600,000	2,200,000	4,400,000	32	660V ac 400V dc	112.0	94.0	77.0	22.0	44.5	8.8	62.0	74.0	6.4
R20	500	1,100,000	2,000,000	2,800,000	5,500,000	38										
R20	560	1,400,000	2,400,000	3,500,000	6,800,000	43										
R20	630	2,000,000	3,500,000	5,000,000	9,900,000	50										

This bulletin is intended to clearly present comprehensive product data and provide technical information that will help the end user with design applications. Bussmann reserves the right, without notice, to change design or construction of any products and to discontinue or limit distribution of any products. Bussmann also reserves the right to change or update, without notice, any technical information contained in this bulletin. Once a product has been selected, it should be tested by the user in all possible applications.



Bussmann Division
Cooper (U.K.) Ltd
Burton-on-the-Wolds
Leicestershire, LE12 5TH
United Kingdom
Tel: (44) (0)1509 88 27 37
Fax: (44) (0)1509 88 27 86

Head Office
St. Louis, MO, U.S.A. Tel: (314) 527-3877 Fax: (800) 544-2570 International Fax: (314) 527-1445



Bussmann Information Fax (00 1) 314 527 1450