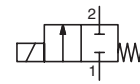




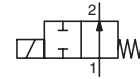
# SOLENOID VALVES

direct operated  
for high pressure fluids  
1/4

NC



NO



2/2  
Series  
262

## FEATURES

- Valves do not require a minimum operating pressure and have a high operating pressure as indicated
- Valve operation is not affected by mounting position
- The solenoid valves satisfy all relevant EU directives

## GENERAL

Differential pressure  
Maximum viscosity  
Response time

See «SPECIFICATIONS» [1 bar =100 kPa]  
65 cSt (mm<sup>2</sup>/s)  
5 - 25 ms

| fluids (*)                 | temperature range (TS)           | seal materials (*)                  |
|----------------------------|----------------------------------|-------------------------------------|
| air, inert gas, water, oil | -20°C to +90°C<br>-20°C to +40°C | NBR (nitrile)<br>UR (cast urethane) |

## MATERIALS IN CONTACT WITH FLUID

(\*) Ensure that the compatibility of the fluids in contact with the materials is verified

|                           |                              |
|---------------------------|------------------------------|
| Body                      | Stainless steel, AISI 303 SS |
| Core tube                 | Stainless steel              |
| Core and plugnut          | Stainless steel              |
| Springs                   | Stainless steel              |
| Seat                      | Stainless steel              |
| Seals                     | NBR                          |
| Disc                      | NBR or UR                    |
| Disc holder (NO function) | PA                           |
| Shading coil              | Silver                       |

## ELECTRICAL CHARACTERISTICS

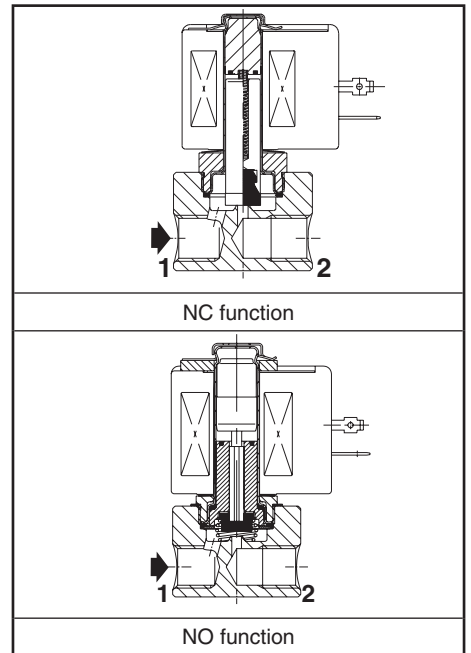
|                                       |                                                                |
|---------------------------------------|----------------------------------------------------------------|
| Coil insulation class                 | F                                                              |
| Connector                             | Spade plug (cable Ø 6-10 mm)                                   |
| Connector specification               | ISO 4400 / EN 175301-803, form A                               |
| Electrical safety                     | IEC 335                                                        |
| Electrical enclosure protection       | Moulded IP65 (EN 60529)                                        |
| Standard voltages                     | DC (=) : 24V - 48V<br>AC (~) : 24V - 48V - 115V - 230V / 50 Hz |
| (Other voltages and 60 Hz on request) |                                                                |

| prefix option | power ratings       |           |      |             | operator ambient temperature range (TS)<br>(C°) | replacement coil |            | type <sup>(1)</sup> |    |
|---------------|---------------------|-----------|------|-------------|-------------------------------------------------|------------------|------------|---------------------|----|
|               | inrush<br>~<br>(VA) | holding   |      | 230 V/50 Hz |                                                 | 24 V DC          |            |                     |    |
|               |                     | ~<br>(VA) | (W)  |             |                                                 |                  | =<br>(W)   |                     |    |
| SC            | 34                  | 15,6      | 6    | 7 / 9,7     | -20 to +75                                      | 400325-117       | 400325-142 | 01                  |    |
|               | 30                  | 22,5      | 9    | 9,5/15,3    | -20 to +50                                      | 400325-217       | 400325-242 | 01                  |    |
|               | 55                  | 23        | 10,5 | 9/11,2      | -20 to +75                                      | 400425-117       | 400425-142 | 02                  |    |
|               | 78                  | 35        | 16,7 | -           | -20 to +50                                      | 400425-217       | -          | 02                  |    |
|               | -                   | -         | -    | 14/19,7     | -20 to +25                                      | -                | 400425-342 | -                   | 02 |

(1) Refer to the dimensional drawings on the following page.

## SPECIFICATIONS

| pipe size                                          | orifice size | flow coefficient Kv |         | operating pressure differential (bar) |           |           |         |      |      | power coil (W) |      | catalogue number | options    |      |                          |     |      |    |      |   |
|----------------------------------------------------|--------------|---------------------|---------|---------------------------------------|-----------|-----------|---------|------|------|----------------|------|------------------|------------|------|--------------------------|-----|------|----|------|---|
|                                                    |              |                     |         | min.                                  | max. (PS) |           |         | min. | max. |                |      |                  | min.       | max. | maintained man. operator | FPM | EPDM | CR | PTFE |   |
|                                                    |              |                     |         |                                       | air (*)   | water (*) | oil (*) |      |      |                |      |                  |            |      |                          |     |      |    |      | ~ |
| NPT                                                | (mm)         | (m <sup>3</sup> /h) | (l/min) |                                       |           |           |         |      |      |                |      |                  |            |      |                          |     |      |    |      |   |
| <b>NC - Normally closed, NBR seals and disc</b>    |              |                     |         |                                       |           |           |         |      |      |                |      |                  |            |      |                          |     |      |    |      |   |
| 1/4                                                | 1,2          | 0,05                | 0,8     | 0                                     | 50        | 35        | 50      | 35   | 35   | 35             | 6    | 9,7              | SCB262C080 | -    | V                        | E   | J    | T  |      |   |
|                                                    | 2,4          | 0,15                | 2,8     | 0                                     | 25        | 10        | 23      | 8    | 11   | 8              | 6    | 9,7              | SCB262C086 | MO   | V                        | E   | J    | T  |      |   |
|                                                    | 3,2          | 0,3                 | 5       | 0                                     | 9         | 4         | 11      | 4    | 8    | 4              | 6    | 9,7              | SCB262C007 | -    | V                        | E   | J    | T  |      |   |
|                                                    | 4            | 0,43                | 7,2     | 0                                     | 12        | 2,5       | 13      | 2,5  | 10   | 3              | 10,5 | 11,2             | SCB262C220 | -    | V                        | E   | J    | T  |      |   |
|                                                    | 5,6          | 0,62                | 10,3    | 0                                     | 6,5       | 1,7       | 6,5     | 1,7  | 6,5  | 1,7            | 10,5 | 11,2             | SCB262C226 | -    | V                        | E   | J    | T  |      |   |
|                                                    |              | 0,73                | 12,2    | 0                                     | 2,5       | 1,2       | 3       | 1,3  | 2,5  | 1,3            | 6    | 9,7              | SCB262C036 | MO   | V                        | E   | J    | T  |      |   |
|                                                    | 7,1          | 0,82                | 13,7    | 0                                     | 1,8       | 1         | 2,5     | 1    | 1,9  | 1              | 6    | 9,7              | SCB262C038 | MO   | V                        | E   | J    | T  |      |   |
| 0,75                                               |              | 12,5                | 0       | 6                                     | 1,7       | 6         | 1,3     | 6    | 1,3  | 16,7           | 19,7 | SCB262B230       | MO         | V    | E                        | J   | T    |    |      |   |
| <b>NC - Normally closed, NBR seals and UR disc</b> |              |                     |         |                                       |           |           |         |      |      |                |      |                  |            |      |                          |     |      |    |      |   |
| 1/4                                                | 1,2          | 0,05                | 0,8     | 0                                     | 150       | 32        | 135     | 32   | 75   | 30             | 10,5 | 11,2             | SCB262B214 | -    | -                        | -   | -    | -  | T    |   |
| <b>NO - Normally open, NBR seals and disc</b>      |              |                     |         |                                       |           |           |         |      |      |                |      |                  |            |      |                          |     |      |    |      |   |
| 1/4                                                | 3,2          | 0,3                 | 5       | 0                                     | 9         | 5,5       | 7       | 4    | 6,5  | 4              | 10,5 | 11,2             | SCB262A138 | -    | V                        | E   | J    | T  |      |   |
|                                                    | 4            | 0,43                | 7,2     | 0                                     | 5,5       | 3         | 5       | 2    | 4    | 2              | 10,5 | 11,2             | SCB262A142 | -    | V                        | E   | J    | T  |      |   |
|                                                    | 5,6          | 0,73                | 12,2    | 0                                     | 4,5       | -         | 4,5     | -    | 4    | -              | 10,5 | -                | SCB262A148 | -    | V                        | E   | J    | T  |      |   |
|                                                    | 7,1          | 0,82                | 13,7    | 0                                     | 3         | -         | 2,5     | -    | 2    | -              | 10,5 | -                | SCB262A152 | -    | V                        | E   | J    | T  |      |   |
| <b>NO - Normally open, NBR seals and UR disc</b>   |              |                     |         |                                       |           |           |         |      |      |                |      |                  |            |      |                          |     |      |    |      |   |
| 1/4                                                | 1,2          | 0,05                | 0,8     | 0                                     | 50        | 35        | 48      | 35   | 48   | 35             | 10,5 | 11,2             | SCB262A130 | -    | -                        | -   | -    | -  | T    |   |
|                                                    | 2,4          | 0,17                | 2,8     | 0                                     | 20        | 13        | 17      | 10   | 16   | 8              | 10,5 | 11,2             | SCB262A134 | -    | -                        | -   | -    | -  | T    |   |



### OPTIONS

- Valves can also be supplied with FPM (fluoroelastomer), EPDM (ethylene-propylene), CR (chloroprene) and PTFE seals and discs. Use the appropriate optional suffix letter for identification
- Waterproof enclosure with embedded screw terminal coil according to protection class IP67, CEE-10
- Explosionproof enclosures for use in zones 1/21-2/22, categories 2-3 to ATEX Directive 2014/34/EU (see "Explosionproof solenoids" section)
- Electrical enclosures according to "NEMA" standards are available
- Compliance with "UL", "CSA" and other local approvals available on request
- Other pipe connections are available on request
- Plug with visual indication and peak voltage suppression or with cable length of 2 m (see Solenoids, Coils & Accessories section)

### INSTALLATION

- The solenoid valves can be mounted in any position without affecting operation
- Valves are standard supplied with mounting brackets
- Pipe connection identifier is B = NPT (ANSI 1.20.3)
- Installation/maintenance instructions are included with each valve

### SPARE PARTS KIT & ACCESSORIES

| catalogue number   | spare parts kit no. |         | mounting bracket no. |
|--------------------|---------------------|---------|----------------------|
|                    | ~                   | =       |                      |
| SCB262C007/080/086 | C302020             | C302070 | 254573-001           |
| SCB262C036/038     | C302024             | C302070 | 254573-001           |
| SCB262C214         | C304365             | C304365 | 254573-001           |
| SCB262C220/226/230 | C304352             | C304352 | 254573-001           |
| SCB262A130/134     | C302047             | C302078 | 254573-001           |
| SCB262A138/142     | C302053             | C302082 | 254573-001           |
| SCB262A148/152     | C302055             | C302082 | 254573-001           |

<sup>(1)</sup> Standard prefixes/suffixes are also applicable to kits.

### ORDERING EXAMPLES:

|    |   |     |   |     |                 |
|----|---|-----|---|-----|-----------------|
| SC | B | 262 | C | 080 | 230V / 50 Hz    |
| SC | B | 262 | C | 086 | MO 115V / 50 Hz |
| SC | B | 262 | C | 220 | V 24V / DC      |
| SC | B | 262 | A | 130 | T 230V / 50 Hz  |

prefix: SC, pipe thread: B, basic number: 262, voltage: 230V / 50 Hz, suffix: MO, V, T

### ORDERING EXAMPLES KITS:

|                        |   |
|------------------------|---|
| C302020 <sup>(1)</sup> |   |
| C302024                | V |
| C304365                | T |

basic number: C302020, C302024, C304365; suffix: V, T

### DIMENSIONS (mm), WEIGHT (kg)



**TYPE 01-02**  
Prefix "SC" Solenoid  
Epoxy moulded  
IEC 335 / ISO 4400  
IP65

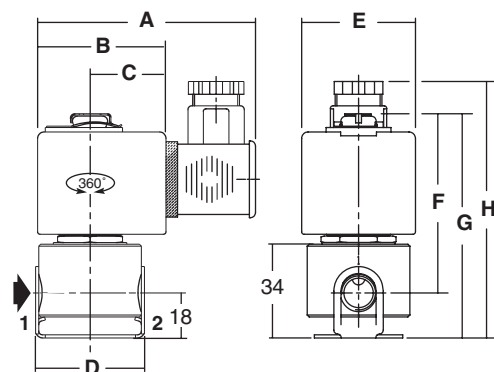
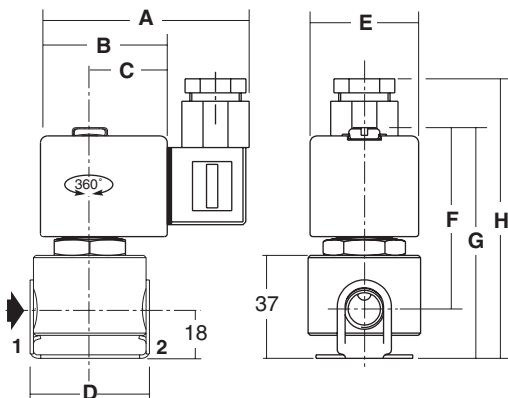
Type 01: SCB262C080/086/007/036/038

Type 02: SCB262C220/C226/B230/B214



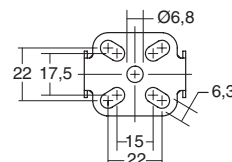
**TYPE 02**  
Prefix "SC" Solenoid  
Epoxy moulded  
IEC 335 / ISO 4400  
IP65

SCG262A138/A142/A148/A152/A130/A134



| type | prefix option | A  | B  | C  | D  | E  | F  | G  | H   | weight <sup>(2)</sup> |     |
|------|---------------|----|----|----|----|----|----|----|-----|-----------------------|-----|
|      |               |    |    |    |    |    |    |    |     | NC                    | NO  |
| 01   | SC            | 75 | 45 | 27 | 40 | 39 | 65 | 85 | 102 | 0,35                  | -   |
| 02   | SC            | 80 | 50 | 30 | 40 | 45 | 69 | 89 | 106 | 0,6                   | 0,5 |

<sup>(2)</sup> including coil and connector.



Bottom view of mounting bracket