



22MM METAL ROUND ACTUATOR: EMERGEN.-STOP
 MUSHR.PUSHB. 40MM WITH RONIS KEY-OPER.SWITCH
 LATCHING WITH KEY-OPER.SWITCH- UNLOCKING RED LOCK
 NO SB30 WITH HOLDER POSSIBLE SPECIAL CLOSURES:
 3SB31, 421, 455 !!! Phased-out product !!! SIRIUS ACT 3SU1 is
 successor Preferred successor type is >>3SU1050-1HF20-0AA0 +
 3SU1550-0AA10-0AA0<<

Design of the product	Single device round with positive latching in accordance with ISO 13850
Enclosure	
Number of command points	1
Actuator	
Design of the operating mechanism	Emergency stop mushroom pushbutton with lock
Manner of function of the actuating element	latching
Product extension optional Light source	No
Color	
• of the actuating element	red
Material of the actuating element	plastic
Outer diameter of the actuating element	40 mm
Type of unlocking device	key unlatching
Number of switching positions	2
Switch position for key distraction	O+I
Lock make	RONIS
Front ring	
Product component front ring	No

Holder	
Material of the holder	Metal
General technical data	
Product function	
• EMERGENCY OFF function	Yes
• EMERGENCY STOP function	Yes
Protection class IP	IP67
Vibration resistance	
• acc. to IEC 60068-2-6	20 ... 200 Hz: 5g
Operating frequency maximum	1 000 1/h
Mechanical service life (switching cycles)	
• typical	300 000
Reference code acc. to DIN 40719 extended according to IEC 204-2 acc. to IEC 750	S
Reference code acc. to DIN EN 81346-2	S
Reference code acc. to DIN EN 61346-2	S
Connections/ Terminals	
Tightening torque of the screws in the bracket	1.4 ... 1.6 N·m
Safety related data	
B10 value	
• with high demand rate acc. to SN 31920	100 000
Proportion of dangerous failures	
• with low demand rate acc. to SN 31920	20 %
• with high demand rate acc. to SN 31920	20 %
Failure rate [FIT]	
• with low demand rate acc. to SN 31920	100 FIT
T1 value for proof test interval or service life acc. to IEC 61508	20 y
Ambient conditions	
Ambient temperature	
• during operation	-25 ... +70 °C
• during storage	-40 ... +80 °C
Environmental category during operation acc. to IEC 60721	3K6
Installation/ mounting/ dimensions	
Mounting type	front mounting
Shape of the installation opening	round
Mounting diameter	22 mm
Mounting height	71 mm
Installation width	40.5 mm
Installation depth	29 mm

Certificates/ approvals

General Product Approval	Functional Safety/Safety of Machinery	Declaration of Conformity
--------------------------	---------------------------------------	---------------------------



[Miscellaneous](#)

Test Certificates	Marine / Shipping
-------------------	-------------------

[Type Test Certificates/Test Report](#)



other	Railway
-------	---------

[Miscellaneous](#)

[Confirmation](#)

[Special Test Certificate](#)

Further information

Information- and Downloadcenter (Catalogs, Brochures,...)

<https://www.siemens.com/ic10>

Industry Mall (Online ordering system)

<https://mall.industry.siemens.com/mall/en/en/Catalog/product?mlfb=3SB3500-1BA20>

Cax online generator

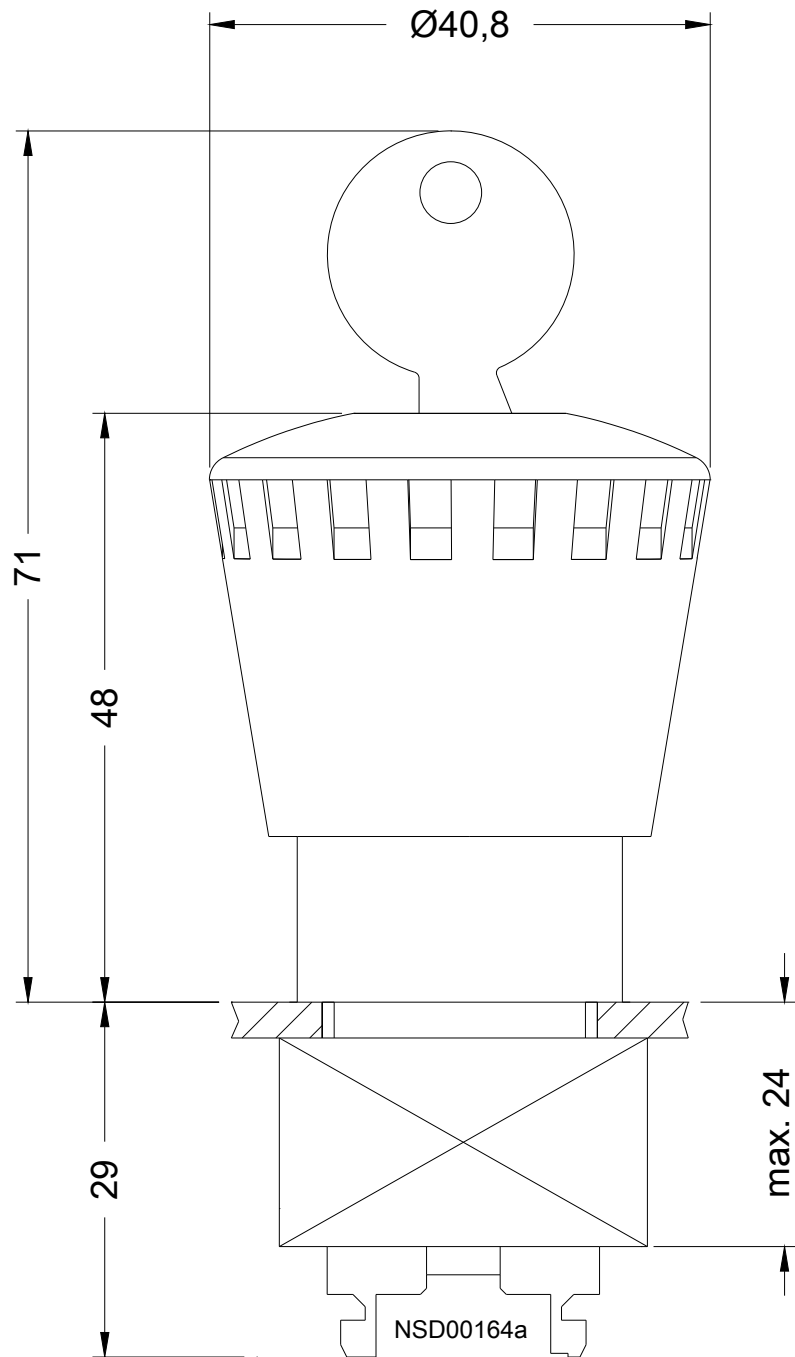
<http://support.automation.siemens.com/WW/CAXorder/default.aspx?lang=en&mlfb=3SB3500-1BA20>

Service&Support (Manuals, Certificates, Characteristics, FAQs,...)

<https://support.industry.siemens.com/cs/ww/en/ps/3SB3500-1BA20>

Image database (product images, 2D dimension drawings, 3D models, device circuit diagrams, EPLAN macros, ...)

http://www.automation.siemens.com/bilddb/cax_de.aspx?mlfb=3SB3500-1BA20&lang=en



last modified:

05/15/2020