

ACTUATORS AND VALVES

ACTUATORS

TERMINAL UNIT VALVE ACTUATORS

VA-7080

THERMAL ON/OFF CONTROL

The VA-7080 Terminal Unit Valve Actuators series provide ON/OFF and DAT control in HVAC application.

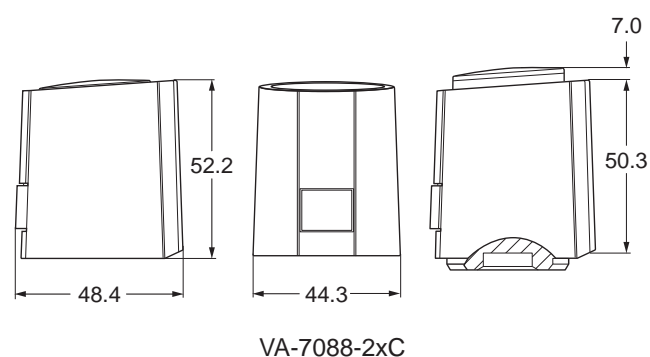
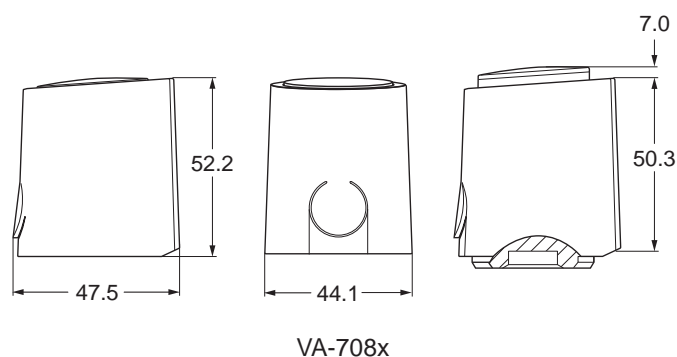
The compact design of these actuators make them suitable for installations in confined spaces, such as fan-coil applications.

The VA-7080 Actuators are designed for field mounting onto all Johnson Controls Terminal Unit Valves: VG3000, VP1000 (see *pertinent Product Bulletins*).

FEATURES

- 24 VAC/DC and 230 VAC power supply
- ON/OFF or DAT controls
- NC version (stem retracts when energized)
- NO version (stem extends when energized)
- Easy mounting solution
- Factory mounted cable 1.5 m
- Models with auxiliary switch

DIMENSIONS (in mm)





ACTUATORS

VA-7080 TERMINAL UNIT VALVE ACTUATORS

ORDERING INFORMATION

| CODES | SUPPLY VOLTAGE | ACTION CONTROL | FORCE | STROKE | FACTORY SETTING | MOUNTING THREAD | PROTECTION CLASS | PACKAGING | POWER CONSUMPTION | | AUXILIARY SWITCHES | |
|-------------|----------------|----------------|-------|--------|---|-----------------|------------------|-------------------------------|-------------------|----------------------------|--------------------|----------------------------|
| | | | | | | | | | Continuous | Start-up | | |
| VA-7081-21 | 24 VAC/VDC | ON/OFF or DAT | 100 N | 5.0 mm | Normally closed (stem retracts when energized) 2 m cable length | M28x1.5 | IP54 | Single packaged in carton box | 1 W | <300 mA during max 2 min. | --- | |
| VA-7088-21 | | | | | | M30x1.5 | | | | | | |
| VA-7081-23 | 230 VAC | | | | | M28x1.5 | | | | | | |
| VA-7088-23 | | | | | | M30x1.5 | | | | | | |
| VA-7080-21 | 24 VAC/VDC | | | | Normally open (stem extends when energized) 2 m cable length | M28x1.5 | | | | <300 mA during max 2 min. | | |
| VA-7087-21 | | | | | | M30x1.5 | | | | | | |
| VA-7080-23 | 230 VAC | | | | | M28x1.5 | | | | | | <550 mA during 100 ms. max |
| VA-7087-23 | | | | | | M30x1.5 | | | | | | |
| VA-7088-21C | 24 VAC/VDC | | | | Normally closed (stem retracts when energized) 2 m cable length | M30x1.5 | | | | <300 mA during max 2 min. | | ■ |
| VA-7088-23C | 230 VAC | | | | | | | | | <550 mA during 100 ms. max | | ■ |

ACCESSORIES (ORDER SEPARATELY)

| CODES | DESCRIPTION |
|-------|--------------------|
| VA50 | Adapter for VG6000 |
| VA64 | Adapter for VP1000 |

SPARE PARTS

| CODES | DESCRIPTION |
|-------|---|
| VA80 | Standard adapter M30 x 1.5 for VG3000 and V5000, included in the product package |
| VA17 | Standard adapter M28 x 1.5 for VG5000 and VG4000, included in the product package |



ACTUATORS

VA-7080 TERMINAL UNIT VALVE ACTUATORS

ADAPTER SELECTION GUIDE FOR JOHNSON CONTROLS VALVES

| VALVE | ACTUATOR | ADAPTER | NOTE |
|--------|------------|---------|------------------------------------|
| VG3000 | VA-7087-2x | --- | Included in the actuator packaging |
| | VA-7088-2x | --- | Included in the actuator packaging |
| V5000 | VA-7087-2x | --- | Included in the actuator packaging |
| | VA-7088-2x | --- | Included in the actuator packaging |
| VG6000 | VA-7087-2x | VA50 | To be ordered separately |
| | VA-7088-2x | VA50 | To be ordered separately |
| VP1000 | VA-7080-2x | VA64 | To be ordered separately |
| | VA-7081-2x | VA64 | To be ordered separately |
| VG5000 | VA-7080-2x | --- | Included in the actuator packaging |
| | VA-7081-2x | --- | Included in the actuator packaging |
| VG4000 | VA-7080-2x | --- | Included in the actuator packaging |
| | VA-7081-2x | --- | Included in the actuator packaging |