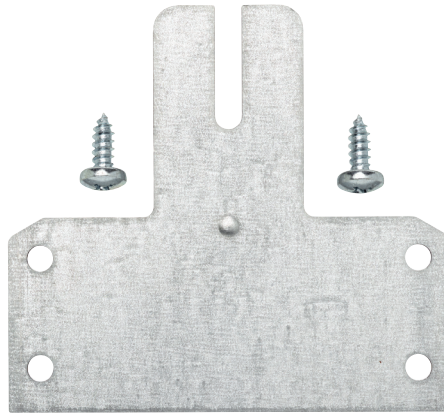


**Base plate extension**

- from SM..A to SM../AM..
- incl. 2 screws

**Technical data**

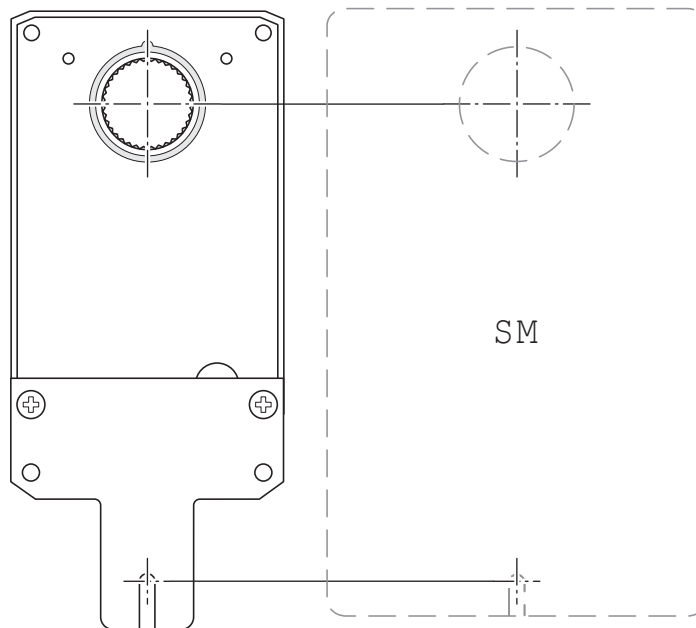
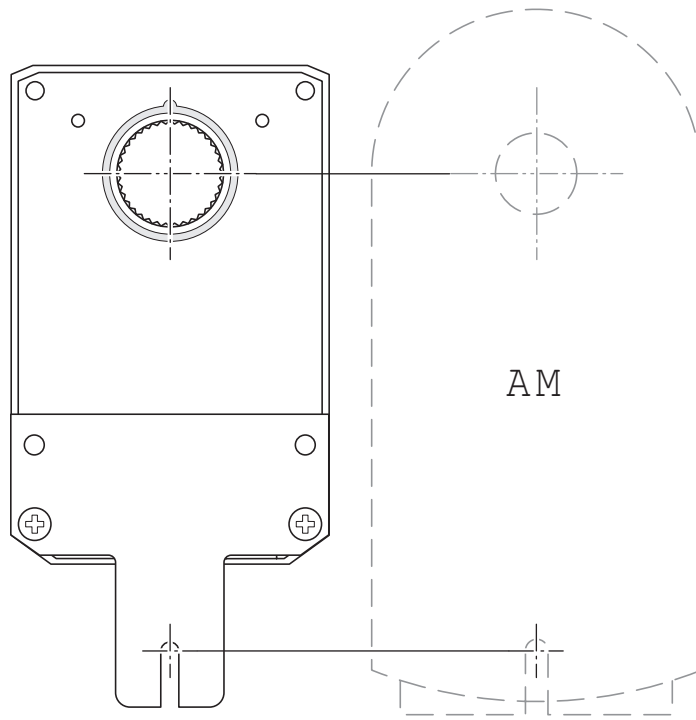
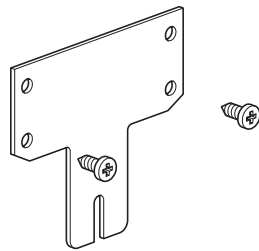
<b>Weight</b>	Weight	0.075 kg
	Packaging size	Multi-pack 20 pcs.

**Product features**

**Used materials** Galvanised steel

**Product features**

**Application** Suitable for SM..A, SMC..A, SMD..A



Dimensions [mm]

Dimensional drawings

