



# RE21-DA03

RE11/RE21/RE31

PRODUCT PORTFOLIO

**SICK**  
Sensor Intelligence.



### Ordering information

Type	Part no.
RE21-DA03	6034324

Other models and accessories → [www.sick.com/RE11\\_RE21\\_RE31](http://www.sick.com/RE11_RE21_RE31)



### Detailed technical data

#### Features

<b>System part</b>	Sensor and actuator
<b>Sensor principle</b>	Magnetic
<b>Number of N/O contacts</b>	1
<b>Number of N/C contacts</b>	1
<b>Safe switch on distance <math>S_{ao}</math></b>	6 mm
<b>Safe switch off distance <math>S_{ar}</math></b>	31 mm
<b>Actuation directions</b>	5

#### Safety-related parameters

<b><math>B_{10d}</math> parameter</b>	$2 \times 10^7$ switching cycles (with small load)
---------------------------------------	--

#### Interfaces

<b>Connection type</b>	Cable
Cable length	3 m
Cable material	PVC

#### Electrical data

<b>Type of output</b>	Reed contacts
<b>Switching voltage</b>	$\leq 30$ V DC
<b>Switching current</b>	$\leq 400$ mA

#### Mechanical data

<b>Design</b>	Rectangular
<b>Dimensions (W x H x D)</b>	25 mm x 88 mm x 13 mm
<b>Weight</b>	0.17 kg
<b>Housing material</b>	Glass-fiber reinforced PPS

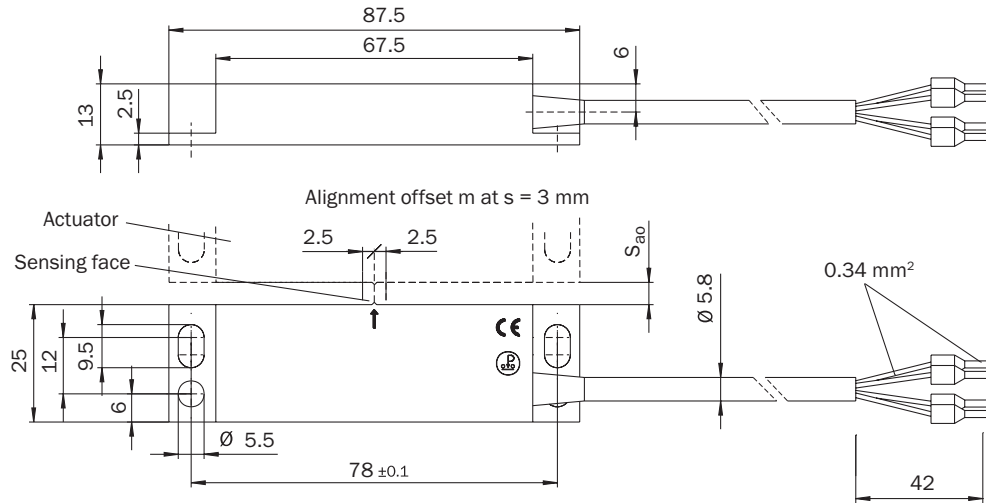
#### Ambient data

<b>Enclosure rating</b>	IP 67
<b>Ambient operating temperature</b>	-20 °C ... +60 °C
<b>Storage temperature</b>	-20 °C ... +60 °C
<b>Vibration resistance</b>	10 Hz ... 55 Hz, 1 mm (EN 60947-5-3)

**Shock resistance**

30 g, 11 ms (EN 60947-5-3)

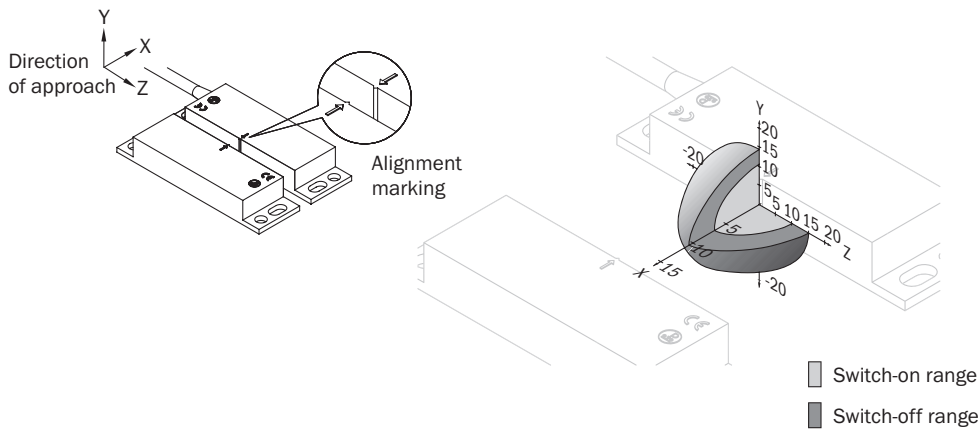
**Dimensional drawing** (Dimensions in mm (inch))



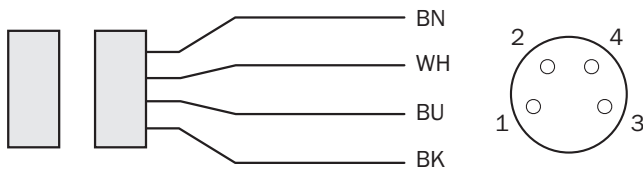
The actuators have the same dimensions as the read heads, but without connecting cable.

**Response range**

RE21

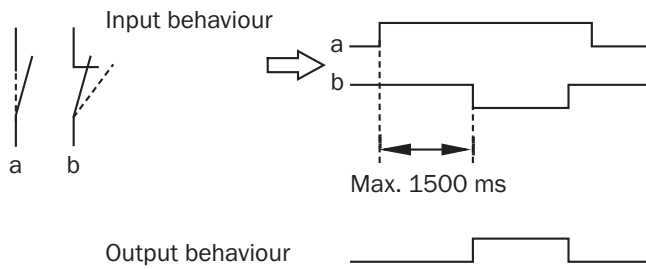


Connection diagram



1 BN	N/O contact
2 WH	
3 BU	N/C contact
4 BK	

Sensor timing



## SICK AT A GLANCE

SICK is one of the leading manufacturers of intelligent sensors and sensor solutions for industrial applications. A unique range of products and services creates the perfect basis for controlling processes securely and efficiently, protecting individuals from accidents and preventing damage to the environment.

We have extensive experience in a wide range of industries and understand their processes and requirements. With intelligent sensors, we can deliver exactly what our customers need. In application centers in Europe, Asia and North America, system solutions are tested and optimized in accordance with customer specifications. All this makes us a reliable supplier and development partner.

Comprehensive services complete our offering: SICK LifeTime Services provide support throughout the machine life cycle and ensure safety and productivity.

For us, that is “Sensor Intelligence.”

## WORLDWIDE PRESENCE:

Contacts and other locations –[www.sick.com](http://www.sick.com)