

# PULSE VALVES

single stage, remote pilot  
threaded body or compression fitting  
3/4 to 1 1/2

## FEATURES

- The diaphragm pulse valves are especially designed for dust collector service applications, combining high flow, long life and extremely fast opening and closing to produce reliable and economical operation
- The high flow, angle type bodies in combination with the special main diaphragm assemblies give the unique operating features required for dust collector service applications
- Integral compression fittings for fast, easy, secure installation
- Valves can be supplied according to ATEX Directive 2014/34/EU for non-electrical equipment
- The valves satisfy all relevant EC directives

## GENERAL

**Differential pressure (PS)** 0,35 - 8,5 bar [1 bar = 100kPa]  
**Ambient temperature range** -20 to +85°C

fluids (*)	temperature range (TS)	diaphragm (*)
air	-40 to +85 °C	TPE (3/4 and 1)
	-20 to +85 °C	CR (1 1/2)
	-20 to +120 °C	FPM

## MATERIALS IN CONTACT WITH FLUID

(\*) Ensure that the compatibility of the fluids in contact with the materials is verified

**Body** Aluminium  
**Spring** Stainless steel  
**Diaphragm** TPE (thermoplastic polyester elastomer or CR (chloroprene) or FPM (fluoroelastomer)

## PILOT SOLENOID VALVES (2/2 NC function)

main pulse valve catalogue number	remote pilot connection	recommended executions		
		orifice size (mm)	manifold pilot valves in a box (IP 65)	single pilot valves (IP20)
G353A041	G 1/8	3,6	pilot box series <b>110</b> 2 to 12 pilots 1/8	series 257
G353-055				
G353A042				
G353-056				
G353A045	G 1/4	5,6	pilot box series <b>C20</b> 4 to 6 valves 1/4	series 262
G353-066				

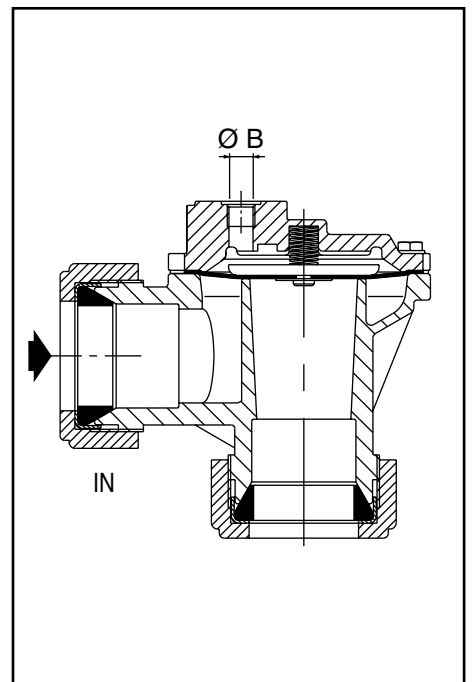


Figure shows catalogue number G353-066

## SPECIFICATIONS

pipe size	remote pilot connection	orifice size (mm)	flow coefficient Kv		operating pressure differential (bar)		catalogue number	FPM
					min.	max. (PS) air (*)		
G	Ø B	(mm)	(m³/h)	(l/min)		~/=	aluminium <sup>(1)</sup>	
<b>G - threaded pipe connection</b>								
3/4	G 1/8	24	14	233	0,35	8,5	<b>G353A041 (GD)</b>	<b>V</b>
1	G 1/8	27	17	283	0,35	8,5	<b>G353A042 (GD)</b>	<b>V</b>
1 1/2	G 1/4	50	46	768	0,35	8,5	<b>G353A045 (GD)</b> <sup>(2)</sup>	<b>V</b>
<b>Ø - Compression fitting pipe connection</b>								
3/4	G 1/8	24	14	233	0,35	8,5	<b>G353-055 (GD)</b>	<b>V</b>
1	G 1/8	27	17	283	0,35	8,5	<b>G353-056 (GD)</b>	<b>V</b>
1 1/2	G 1/4	50	43	717	0,35	8,5	<b>G353-066 (GD)</b> <sup>(2)</sup>	<b>V</b>

(1) Suffix GD for ATEX II2G/D (2) Contains spring above the main diaphragm

60153GB-2018/R01 Availability, design and specifications are subject to change without notice. All rights reserved.

### OPTIONS

- Valves can also be supplied with FPM (fluoroelastomer) diaphragms and seals. Use the appropriate optional suffix letter for identification
- Sequential controller for pilot solenoid valves
- Pilot boxes containing 2 to 12 pilot solenoid valves
- Pilot solenoid valves can be equipped with explosionproof solenoids for hazardous locations according to “ATEX” and national standards

### INSTALLATION

- The valves can be mounted in any position without affecting operation
- Threaded pipe connection is G (ISO 228/1) or compression fitting
- When connecting piping or tubing to the G1/8 connection in the valve bonnet, the remote ASCO pilot valve should be mounted as close as possible to the main pulse valve. Connection tubing lengths of 3 meter or less have little effect on the pulse response. Installations with over 3 meter of tubing must be tested under actual operating conditions. Tubing with Ø 6 mm O.D. is recommended for all installations
- For compression fitting types tightness is achieved by the compressed gasket on the blow tube
- Other pipe threads are available on request
- Installation/maintenance instructions are included with each valve
- Spare parts kits and replacement coils are available

### DIMENSIONS (mm), WEIGHT (kg)

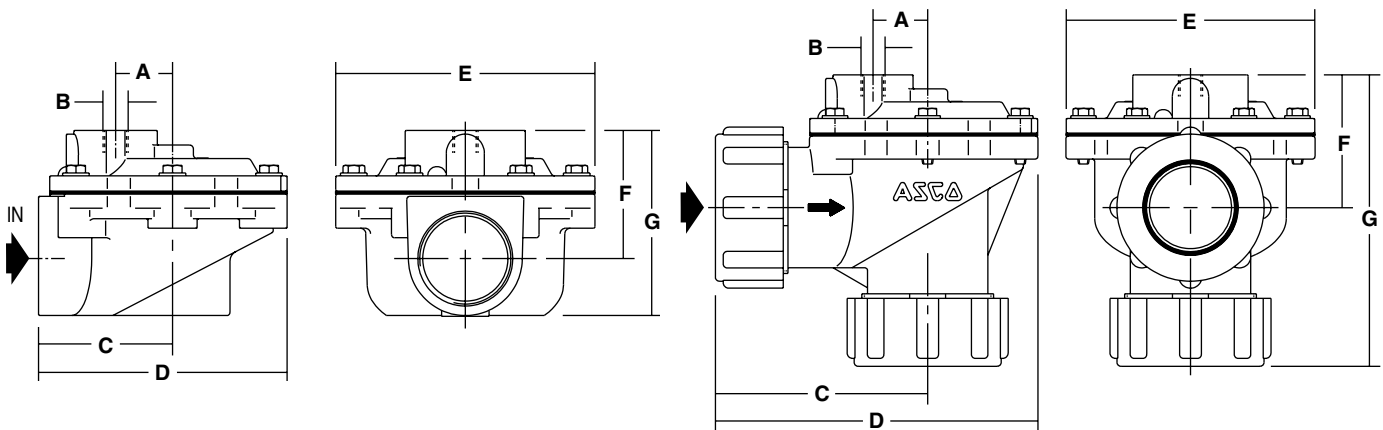


Fig. 1: Threaded pipe connection - aluminium

Fig. 2: Compression type fitting - aluminium

catalogue number	A	B	C	D	E	F	G	weight	(C)
G353A041 (GD)	-	G 1/8	51	89	75	41	65	0,45	Fig. 1
G353A042 (GD)	-	G 1/8	51	89	75	41	64	0,4	Fig. 1
G353A045 (GD)	30	G 1/4	71	130	136	71	98	1	Fig. 1
G353-055 (GD)	-	G 1/8	88	125	75	47	109	0,58	Fig. 2
G353-056 (GD)	-	G 1/8	88	124	75	47	129	0,61	Fig. 2
G353-066 (GD)	30	G 1/4	117	177	136	73	161	1,33	Fig. 2

(C) Construction type

### SPARE PARTS KITS

catalogue number	spare parts kit no. ~/=
G353A041 (GD)	C113443
G353A042 (GD)	
G353-055 (GD)	
G353-056 (GD)	C113825
G353A045 (GD)	
G353-066 (GD)	