

BD2-AK03X/FS125BS-3 TAP-OFF UNIT 125A / 1X 3POLE BS FUSE SWITCH DISC.

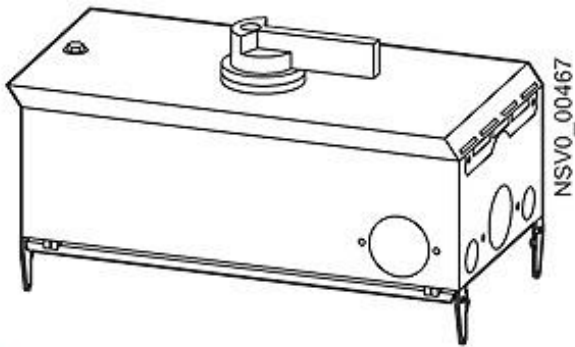


Figure similar

Model	
Product designation	tap-off unit for BD2 busbar trunking system
Operating voltage / at AC	
<ul style="list-style-type: none"> <li>at 50 Hz / rated value / maximum</li> </ul>	400 V
<ul style="list-style-type: none"> <li>at 60 Hz / rated value / maximum</li> </ul>	400 V
Protection class	
Protection class IP	IP54
Main circuit	
Operating frequency / rated value	
<ul style="list-style-type: none"> <li>minimum</li> </ul>	50 Hz
<ul style="list-style-type: none"> <li>maximum</li> </ul>	60 Hz
Operating current	
<ul style="list-style-type: none"> <li>for circuit 1 / at AC / at 50 Hz / rated value / maximum</li> </ul>	125 A
<ul style="list-style-type: none"> <li>for circuit 1 / at AC / at 60 Hz / rated value / maximum</li> </ul>	125 A

## Connections

Connectable conductor cross-section / in the outgoing unit

- minimum

16 mm<sup>2</sup>

## Tap-off points

Outgoing unit version

cable entry

Design of short-circuit and overloading protection / in the outgoing unit

3-pole 125 A BS fuse-switch

Size of the outgoing feeder

03

Number of poles / of the outgoing feeder

5

## Mechanical Design

Height

260 mm

Width

214 mm

Length

431 mm

Product component / Locking mechanism

Yes

## Certificates

### Declaration of Conformity



EG-Konf.

## Further information

### Information- and Downloadcenter (Catalogs, Brochures,...)

<http://www.siemens.com/lowvoltage/catalogs>

### Industry Mall (Online ordering system)

<https://mall.industry.siemens.com/mall/en/en/Catalog/product?mlfb=BVP:262500>

### Service&Support (Manuals, Certificates, Characteristics, FAQs,...)

<https://support.industry.siemens.com/cs/ww/en/ps/BVP:262500>

### Image database (product images, 2D dimension drawings, 3D models, device circuit diagrams, ...)

[http://www.automation.siemens.com/bilddb/cax\\_en.aspx?mlfb=BVP:262500](http://www.automation.siemens.com/bilddb/cax_en.aspx?mlfb=BVP:262500)

### CAX-Online-Generator

<http://www.siemens.com/cax>

### Tender specifications

<http://www.siemens.com/specifications>