

TX3B-A024M (ORDER NO. 082952)

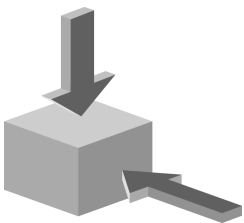
Safety switch TX, release under load

- ▶ Auxiliary release on the front
- ▶ Release under load possible
- ▶ With door monitoring contact



Description

Approach direction



Horizontal and vertical

Can be adjusted in 90° steps

Solenoid operating voltage

- ▶ AC/DC 24 V +10%, -15%

LED function display

The switch has a function display (2 LEDs, red and green). The LED voltage is same as the solenoid operating voltage.

Guard locking type

TX3 Closed-circuit current principle, guard locking by spring force. Release by applying voltage to the solenoid. Release under load possible.

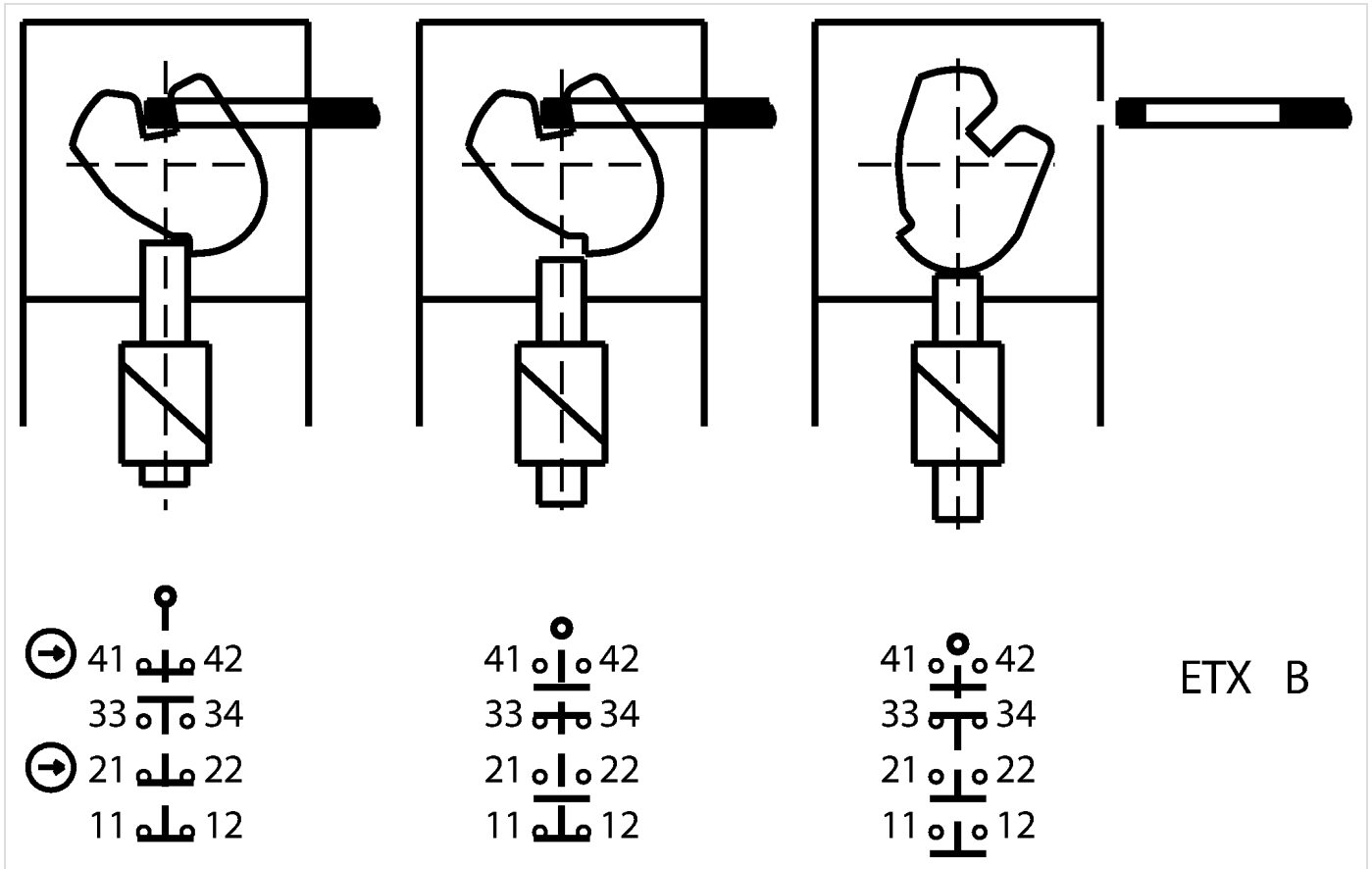
Switching element

ETX B Slow-action switching contact 2 NC \ominus / 1 NO + 1 NC (door monitoring contact)

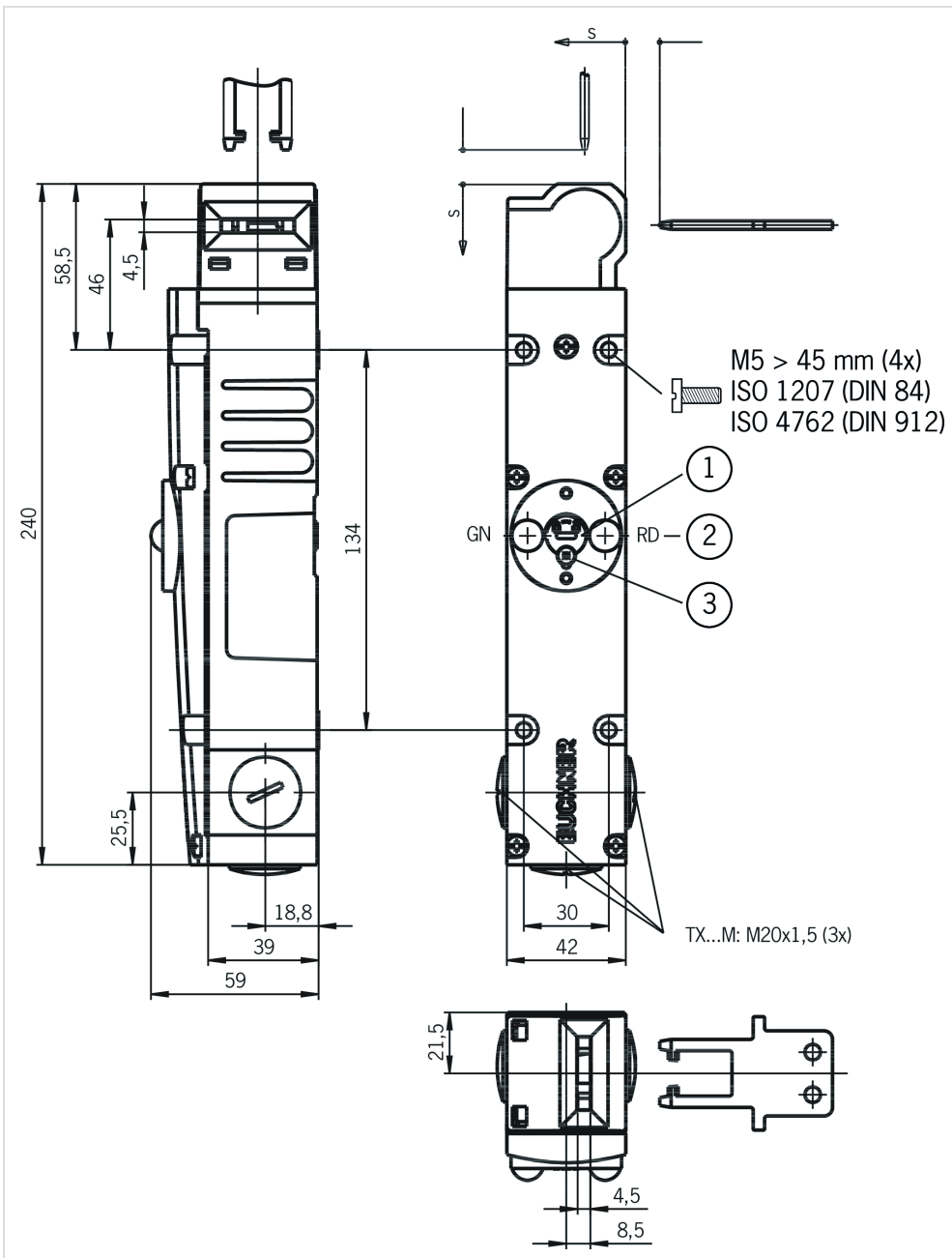
Auxiliary release

Is used for releasing the guard locking with the aid of a tool. The auxiliary release must be sealed to prevent tampering (for example with sealing lacquer).

Function drawings

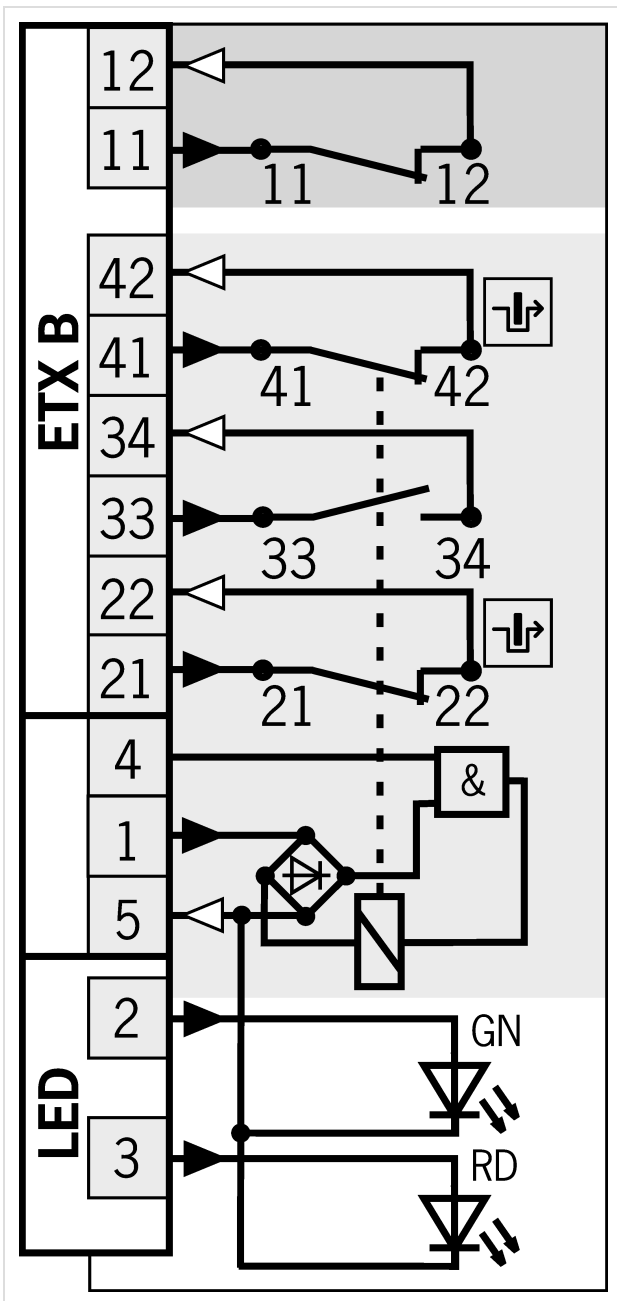


Dimension drawings



- 1 Auxiliary release
- 2 LED indicator
- 3 Locking screw

Connection examples



Technical data

Approvals



Controls and indicators

LED indicator

Operating voltage corresponds to the solenoid voltage
(2 LEDs; green, red)

Electrical connection ratings

Connection cross-section	0.34 ... 1.5 mm ²
Power consumption	8 W (48 W at the instant switched on)
Rated impulse withstand voltage U _{imp}	2.5 kV
Rated insulation voltage U _i	250 V
Short circuit protection according to IEC 60269-1	4A gG
Solenoid duty cycle	100 %
Solenoid operating voltage	AC/DC 24 V -15% ... +10%
Switching current	min. at 24 V 1 mA
Switching voltage	min. at 10 mA 12 V
thermal rated current I _{th}	4 A
Utilization category	DC-13 4A 24V AC-15 4A 230V

Mechanical values and environment

Actuating force	35 N
Actuation frequency	max. 1200 1/h
Ambient temperature	-20 ... +80 °C
Approach direction	A
Approach speed	max. 20 m/min
Connection	3 x M20 x 1.5
Degree of protection	IP67
Extraction force	35 N
Guard locking principle	Closed-circuit current principle (Unlocking under load)
Insertion depth	32 mm
Installation orientation	any
Locking force F _{max}	1700 N
Locking force F _{Zh}	1300 N
Material	Housing Die-cast alloy, cathodically dipped Contact Silver alloy, gold flashed
Mechanical life	1 x 10 ⁶
Number of door position NC contacts	1
Number of guard lock monitoring NO contacts	1
Number of guard lock monitoring positively driven contacts	2
Retention force	50 N (Unlocking under load)
Switching principle	Slow-action switching contact

Reliability values according to EN ISO 13849-1

Control of guard locking

Category	Depending on external control of guard locking
Performance Level	Depending on external control of guard locking (LEDs have the same ground potential as the guard locking solenoid)
PFHd	Depending on external control of guard locking (LEDs have the same ground potential as the guard locking solenoid)
Monitoring of guard locking and the guard position	
B10d	6 x 10 ⁶

In combination with Betätiger BETAETIGER-X-GNQ

Overtravel	8 mm
------------	------

In combination with Betätiger BETAETIGER-X-GQ

Overtravel	1 mm
------------	------

Accessories

Actuator

Actuator for safety switch NX/TX



079739
BETAETIGER-X-GQ

- ▶ Actuator made of stainless steel
- ▶ Two stainless-steel safety screws per actuator
- ▶ With rubber bush

Bent actuator for safety switch NX/TX, increased overtravel



079742
BETAETIGER-X-WNQ

- ▶ Actuator made of stainless steel
- ▶ Two stainless-steel safety screws per actuator
- ▶ With rubber bush

Hinged actuator, left/right, for safety switch NX/TX



098082
RADIUSBETAETIGER-X-LR-N

- ▶ Actuator made of stainless steel
- ▶ Two stainless-steel safety screws per actuator

Connection material

Cable glands M20x1.5, cable Ø 6.5-9.5 mm



077683
EKVM20/06

Cable glands M20x1.5, cable Ø 9-13 mm



077684
EKVM20/09

Function expansion

Emergency release with manual return for safety switch TX



094771
NOTENTSPERRUNG TX

Lock for auxiliary release with automatic return for safety switches TX



079796
SCHLOSS TX
VERSCHIEDENSCHLIESSEND



079795
SCHLOSS TX GLEICHSCHLIESSEND

Lockout bar NX/TX



096098
SPERREINSATZ TX

- ▶ Prevents unintentional closing of the door
- ▶ Can be secured with padlocks

Release with automatic reset for safety switch TX



094773
ENTRIEGELUNG RUECKSTELLEND
TX1/3

Mechanical actuators

Actuator for safety switch NX/TX, increased overtravel



079741
BETAETIGER-X-GNQ

- ▶ Actuator made of stainless steel
- ▶ Two stainless-steel safety screws per actuator
- ▶ With rubber bush

Bent actuator for safety switch NX/TX



079740
BETAETIGER-X-WQ

- ▶ Actuator made of stainless steel
- ▶ Two stainless-steel safety screws per actuator
- ▶ With rubber bush

Hinged actuator, top/bottom, for safety switch NX/TX



097906
RADIUSBETAETIGER-X-OU-N

- ▶ Actuator made of stainless steel
- ▶ Two stainless-steel safety screws per actuator

Metal bolt

Bolt TX-A for safety switches TX and NX



082990
RIEGEL TX-A

- ▶ Steel bolt
- ▶ For doors hinged on the right
- ▶ Can be locked in open position with padlocks
- ▶ Actuator and switch bracket included

Bolt TX-C for safety switches TX and NX



082991
RIEGEL TX-C

- ▶ Steel bolt
- ▶ For doors hinged on the left
- ▶ Can be locked in open position with padlocks
- ▶ Actuator and switch bracket included

Mounting accessories

Mounting plates EMP-B1 for actuators for safety switches CTP, CTA, TP...A, STA, STP, TX and TZ



093457
EMP-B1

Mounting plates EMP-B2 for actuators for safety switches CTP, CTA, TP...A, STA, STP, TX and TZ



093458
EMP-B2

Mounting plates EMP-SB for safety switches CTP, CTA, TP...A, STA, STP and TX



093456
EMP-SB

- ▶ For vertical and horizontal mounting of safety switches CTP, CTA, TP...A, STA, STP and TX

Contacts

🏠 EUCHNER GmbH + Co. KG
Kohlhammerstraße 16
70771 Leinfelden-Echterdingen

☎ +49 711 7597-0

📠 +49 711 753316

✉ [info\(at\)euchner.de](mailto:info(at)euchner.de)