

DGS34-7HK02048

DGS34

INCREMENTAL ENCODERS

SICK
Sensor Intelligence.



Ordering information

Type	Part no.
DGS34-7HK02048	7101739

Other models and accessories → www.sick.com/DGS34

Illustration may differ



Detailed technical data

Performance

Pulses per revolution	2,048
------------------------------	-------

Interfaces

Electrical interface	Radial, 1.5 m
-----------------------------	---------------

Electrical data

Connection type	Radial, 1.5 m
Supply voltage	DC
Maximum output frequency	≤ 300 kHz

Mechanical data

Mechanical design	Blind hollow shaft
Shaft diameter	1"
Start up torque	9 Ncm
Operating torque	7 Ncm
Moment of inertia of the rotor	490 gcm ²

Ambient data

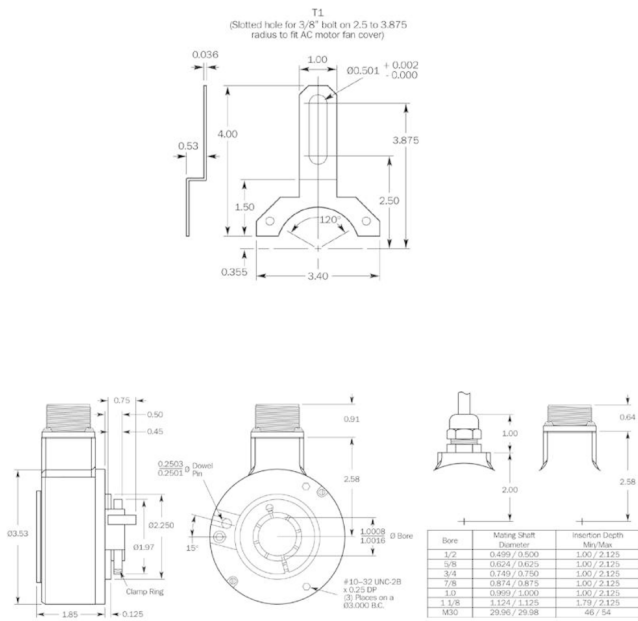
EMC	EN 61000-6-2, EN 61000-6-3
Operating temperature range	-20 °C ... +70 °C
Storage temperature range	-30 °C ... +85 °C

Classifications

ECl@ss 5.0	27270501
ECl@ss 5.1.4	27270501
ECl@ss 6.0	27270590
ECl@ss 6.2	27270590
ECl@ss 7.0	27270501
ECl@ss 8.0	27270501
ECl@ss 8.1	27270501
ECl@ss 9.0	27270501

ETIM 5.0	EC001486
ETIM 6.0	EC001486
UNSPSC 16.0901	41112113

Dimensional drawing (Dimensions in mm (inch))



Connection diagram

Function	10 pin	Cable
A	A	White
B	B	Pink
M	C	Lilac
A not	H	Brown
B not	I	Black
M not	J	Yellow
+Vs	D	Red
Common	F	Blue
Case ground	G	N/A
Shield	N/A	N/A

SICK AT A GLANCE

SICK is one of the leading manufacturers of intelligent sensors and sensor solutions for industrial applications. A unique range of products and services creates the perfect basis for controlling processes securely and efficiently, protecting individuals from accidents and preventing damage to the environment.

We have extensive experience in a wide range of industries and understand their processes and requirements. With intelligent sensors, we can deliver exactly what our customers need. In application centers in Europe, Asia and North America, system solutions are tested and optimized in accordance with customer specifications. All this makes us a reliable supplier and development partner.

Comprehensive services complete our offering: SICK LifeTime Services provide support throughout the machine life cycle and ensure safety and productivity.

For us, that is “Sensor Intelligence.”

WORLDWIDE PRESENCE:

Contacts and other locations –www.sick.com