



## UM SERIES

- Ultra Miniature size. Three types
  - (19.5x18x3.5mm)
  - (20x9x7mm)
  - (18x12.5x3.5mm)
- Throughbeam, diffuse or convergent beam

- Sensitivity adjustment option
- Response time 0.5ms
- IP64 sealed
- 80mA, open collector output
- Short circuit protected

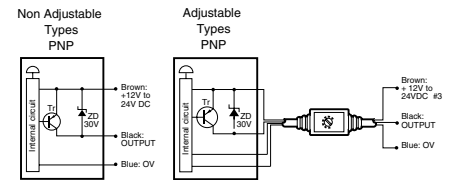
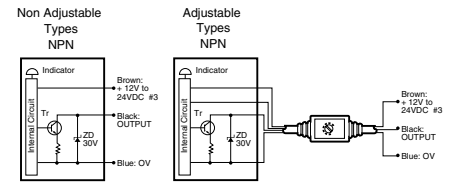


### TECHNICAL SPECIFICATIONS v-Suffix models=Adjustable sensitivity

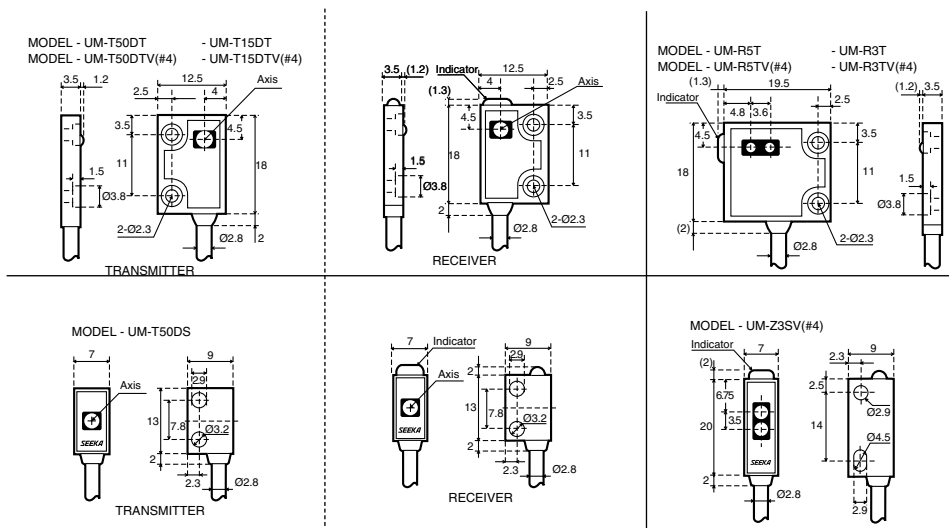
Type	UM T15DT	UM T15DTV	UM T50DT	UM T50DTV	UM T50DS	UM R3T	UM R3TV	UM R5T	UM R5TV	UM Z3SV
Function	Throughbeam					Diffuse				Convergent
Range(max)	15cm		50cm			3cm #1		5cm #1		3cm
Object Res.	Ø3mm (min) Opaque object					-				
Power Supply	24VDC ± 10% Max ripple # 2					12V to 24VDC ± 10% max ripple				
Current	TRNS	15mA				20	27	20	27	27
Cons.	RCVR	15mA	22mA	15mA	22mA	15mA	mA	mA	mA	mA
Output	NPN or PNP, 80mA, 30VDC (max) Open collector									
Operating Mode	Dark On					Light On				
Response Time	0.5ms (max)									
Light Source	Red LED (660nm)									
Indication	Red LED: Activated output, Green LED: Stability									
Sensitivity Adjustment	-	Yes	-	Yes	-	-	Yes	-	Yes	Yes
Connection	Transmitter: 0.3mm <sup>2</sup> x2 (2m Black) Receiver: 0.3mm <sup>2</sup> x3 (2m Grey)					0.3mm <sup>2</sup> x3 (2m Black)				
Ambient Light	3,000 Lux (Maximum)									
Operating Temp	-25°C to +55°C									
Protection	IP64									

#1 - 5x5cm White Paper #2 - 12VDC Type available

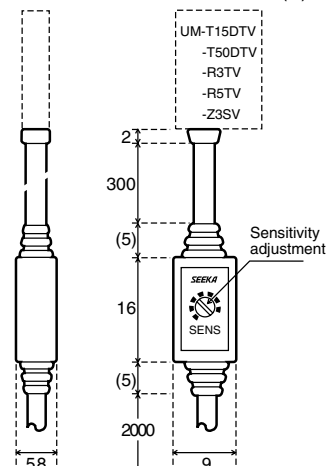
### CONNECTION DIAGRAMS



#3 Throughbeam Types 12 or 24VDC only  
Throughbeam Transmitter: Brown + 24VDC, Blue 0V



### (#4) ADJUSTABLE SENSITIVITY MODELS (V)



### ORDERING GUIDE

Throughbeam types  
Diffuse types  
Convergent types

UMT15DT  
UMR3T  
UMZ3SV

UMT15DTV  
UMR3TV

UMT50DT  
UMR5T

UMT50DTV  
UMR5TV

UMT50DS

Please specify NPN or PNP output when ordering.