

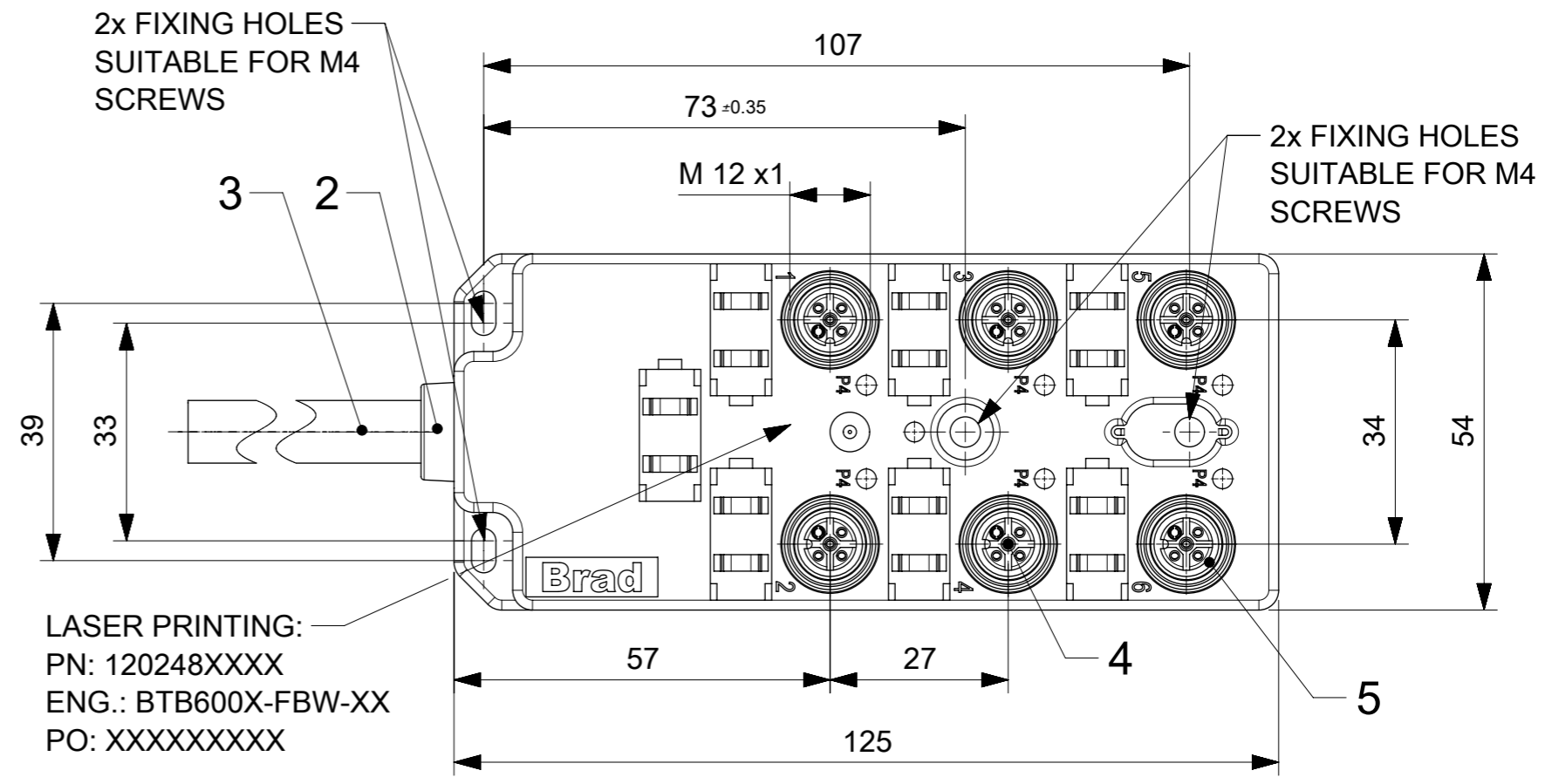
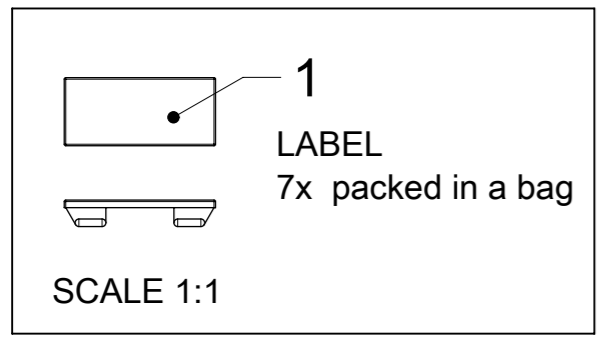
TABLE 1

MOLEX P/N	ENG. NO.	CABLE LENGTH (mm)	LED
1202480010	BTB6000-FBW-05	5000	NO
1202480011	BTB6000-FBW-10	10000	NO
1202480012	BTB6000-FBW-15	15000	NO
1202480013	BTB600P-FBW-05	5000	YES
1202480014	BTB600P-FBW-10	10000	YES
1202480015	BTB600P-FBW-15	15000	YES
1202480144	BTB600P-FBW-20	20000	YES
1202480016	BTB600N-FBW-05	5000	YES
1202480017	BTB600N-FBW-10	10000	YES
1202480018	BTB600N-FBW-15	15000	YES

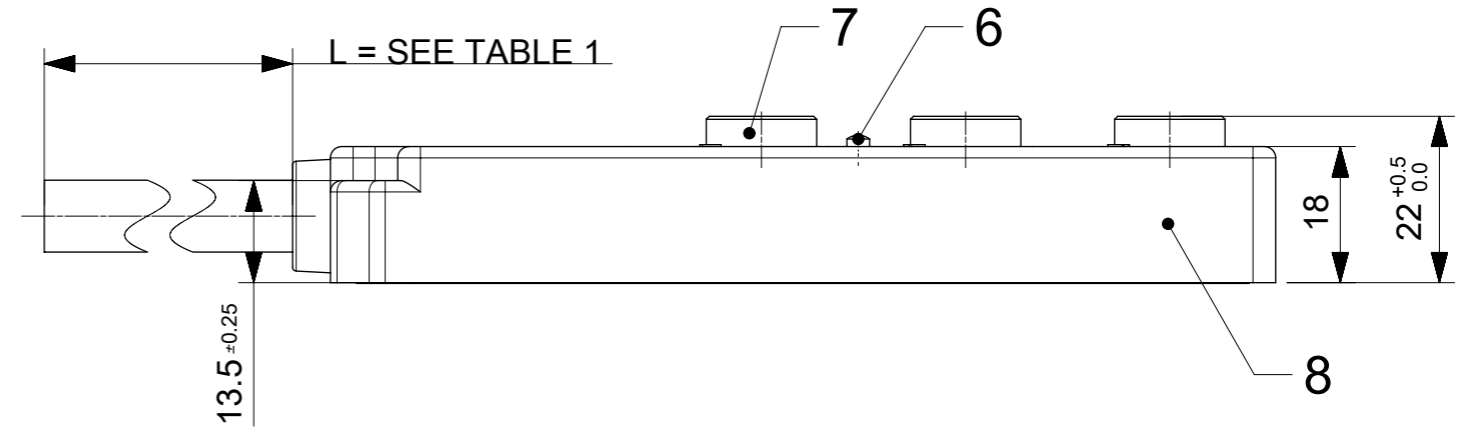
A1

TABLE 2 BILL OF MATERIAL

ITEM	DESCRIPTION	MATERIAL	FINISH
1	LABEL	ABS	WHITE
2	CABLE PLATE	PBT	BLACK
3	CABLE	TPU BASED	BLACK
4	CONTACT	BRONZE	GOLD OVER NICKEL
5	O-RING	FPM	RED
6	LED	NO LED = PA	BLACK
		WITH LED = PA	TRANSPARENT
7	SHELL	BRASS	NICKEL PLATED
8	HOUSING	PBT	BLACK



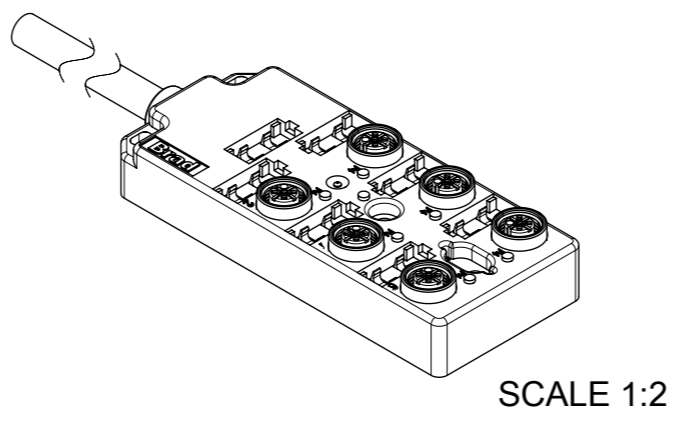
LASER PRINTING:  
PN: 120248XXXX  
ENG.: BTB600X-FBW-XX  
PO: XXXXXXXXXX



GENERAL CHARACTERISTICS:

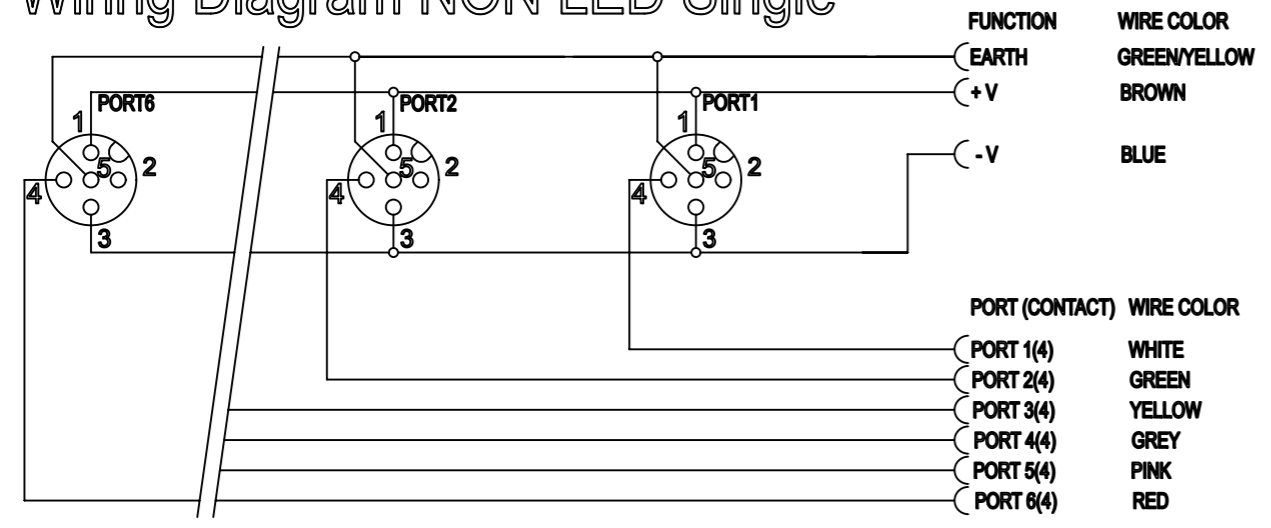
ELECTRICAL AND MECHANICAL DATA ACC. TO IEC 61076-2-101

NOMINAL VOLTAGE: 10-30 V DC  
 AMPERE RATING: 4 A PER PORT / 12 A MAX  
 AMPERE RATING WITH UL REGISTRATION: 3 A PER PORT / 9 A MAX  
 IP DEGREE OF PROTECTION: IP 67  
 TEMPERATURE RANGE: -25°C to + 85°C

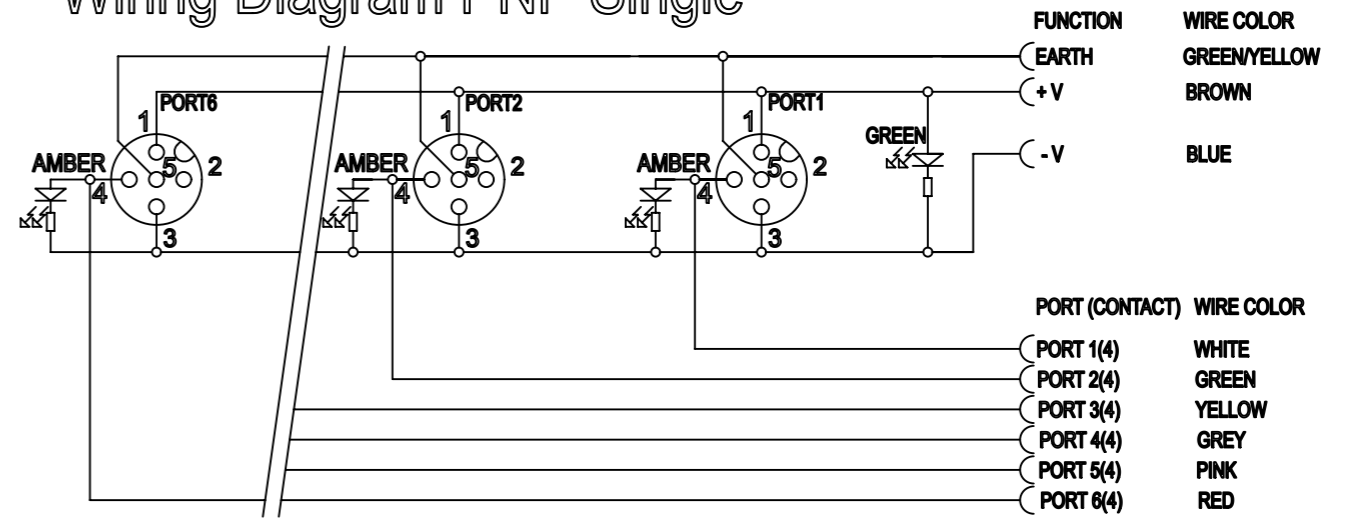


SYMBOLS	THIS DRAWING CONTAINS INFORMATION THAT IS PROPRIETARY TO MOLEX ELECTRONIC TECHNOLOGIES, LLC AND SHOULD NOT BE USED WITHOUT WRITTEN PERMISSION		CURRENT REV DESC: FIRST RELEASE		
	DIMENSION UNITS	SCALE			
▽ = 0	mm				
▽ = 0	GENERAL TOLERANCES (UNLESS SPECIFIED)				
▽ = 0	ANGULAR TOL	±			
▽ = 0	4 PLACES	±			
▽ = 0	3 PLACES	±			
▽ = 0	2 PLACES	±			
▽ = 0	1 PLACE	±			
▽ = 0	0 PLACES	± 0.25			
■ = 0	DRAFT WHERE APPLICABLE MUST REMAIN WITHIN DIMENSIONS				
▽ = 0	THIRD ANGLE PROJECTION		DRAWING	SERIES	MATERIAL NUMBER
			A3-SIZE	120248	SEE TABLE 1
			DOCUMENT NUMBER		DOC TYPE
			1202480010		PSD
			EC NO: 601660		DOC PART
			DRWN: MKOWALCZYK01 2018/07/19		000
			CHK'D: MIWASIECZKO 2018/07/20		A1
			APPR: MIWASIECZKO 2018/07/20		REVISION
			INITIAL REVISION:		
			DRWN: AAHLERS 2015/04/01		
			APPR: RSILLER 2018/02/09		
			CUSTOMER		SHEET NUMBER
			GENERAL MARKET		1 OF 2

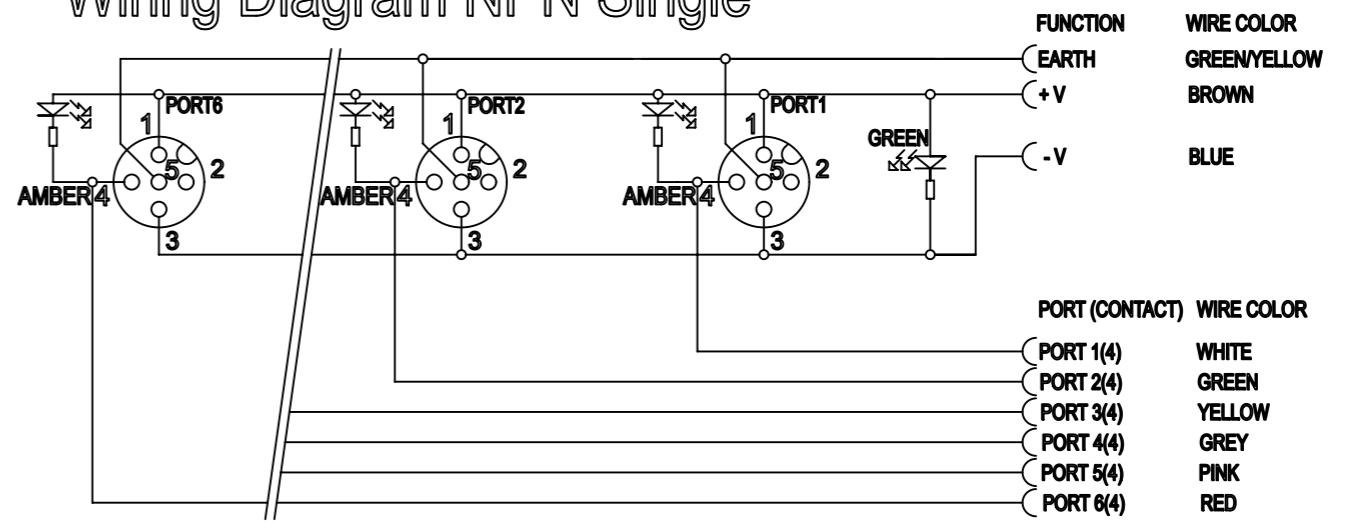
# Wiring Diagram NON LED Single



# Wiring Diagram PNP Single



# Wiring Diagram NPN Single



<b>SYMBOLS</b> DIMENSION UNITS: mm SCALE: 1:1 GENERAL TOLERANCES (UNLESS SPECIFIED): ANGULAR TOL: ± ° 4 PLACES: ± 3 PLACES: ± 2 PLACES: ± 1 PLACE: ± 0 PLACES: ± 0.25 DRAFT WHERE APPLICABLE MUST REMAIN WITHIN DIMENSIONS THIRD ANGLE PROJECTION	THIS DRAWING CONTAINS INFORMATION THAT IS PROPRIETARY TO MOLEX ELECTRONIC TECHNOLOGIES, LLC AND SHOULD NOT BE USED WITHOUT WRITTEN PERMISSION		CURRENT REV DESC: FIRST RELEASE			
	EC NO: 601660		DRWN: MKOWALCZYK01 2018/07/19			MPIS M12 PNP NPN NOS 4P 6PT AC FE STR XM STA SINGLE
	CHK'D: MIWASIECZKO 2018/07/20		APPR: MIWASIECZKO 2018/07/20			
	INITIAL REVISION:		DRWN: AAHLERS 2015/04/01			PRODUCT CUSTOMER DRAWING
APPR: RSILLER 2018/02/09		MATERIAL NUMBER: 1202480010		DOC TYPE: PSD	DOC PART: 000	REVISION: A1
DRAWING: A3-SIZE		SERIES: 120248		CUSTOMER: GENERAL MARKET		SHEET NUMBER: 2 OF 2