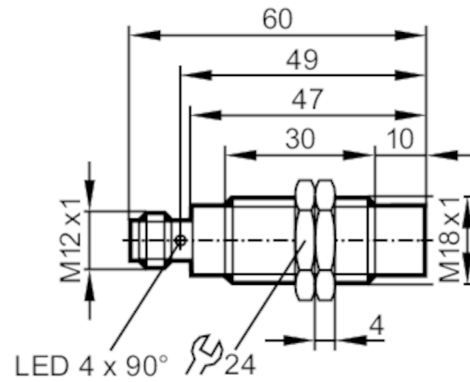


IG6084



Inductive analogue sensor

IGK3008A2PKG/US



Made in Germany

| Electrical data | |
|--|--|
| Operating voltage [V] | 15...30 DC |
| Current consumption [mA] | < 20 |
| Protection class | II |
| Reverse polarity protection | yes |
| Outputs | |
| Analogue voltage output [V] | 0...10; (linear; gradient: 1,389 V/mm; for frontal approach and for target made of mild steel: 24 x 24 x 1 mm) |
| Min. load resistance [Ω] | 2000 |
| Short-circuit protection | yes |
| Overload protection | yes |
| Range | |
| Measuring range [mm] | 0.8...8 |
| Accuracy / deviations | |
| Correction factor | steel: 1 / stainless steel: 0.7 / brass: 0.5 / aluminium: 0.4 / copper: 0.3 |
| Linearity error of analogue output [%] | ± 1 %; (of UA max) |
| Repeatability analogue output [%] | ± 1 %; (of UA max) |
| Response times | |
| Response time [ms] | < 10 |
| Operating conditions | |
| Ambient temperature [$^{\circ}$ C] | -25...80 |
| Protection | IP 67 |
| Tests / approvals | |
| EMC | EN 60947-5-2 |
| MTTF [years] | 1005 |

IG6084



Inductive analogue sensor

IGK3008A2PKG/US

| Mechanical data | | |
|-------------------------------|-----------------------------|---|
| Weight | [g] | 63 |
| Housing | | threaded type |
| Mounting | | non-flush mountable |
| Dimensions | [mm] | M18 x 1 / L = 60 |
| Thread designation | | M18 x 1 |
| Materials | | housing: brass white bronze coated; sensing face: PBT |
| Displays / operating elements | | |
| Display | within the operating range | 1 x LED, yellow lights |
| | outside the operating range | 1 x LED, yellow flashing |
| Accessories | | |
| Accessories (supplied) | | lock nuts: 2 |
| Remarks | | |
| Pack quantity | | 1 pcs. |

Electrical connection - plug

Connector: 1 x M12



Connection

