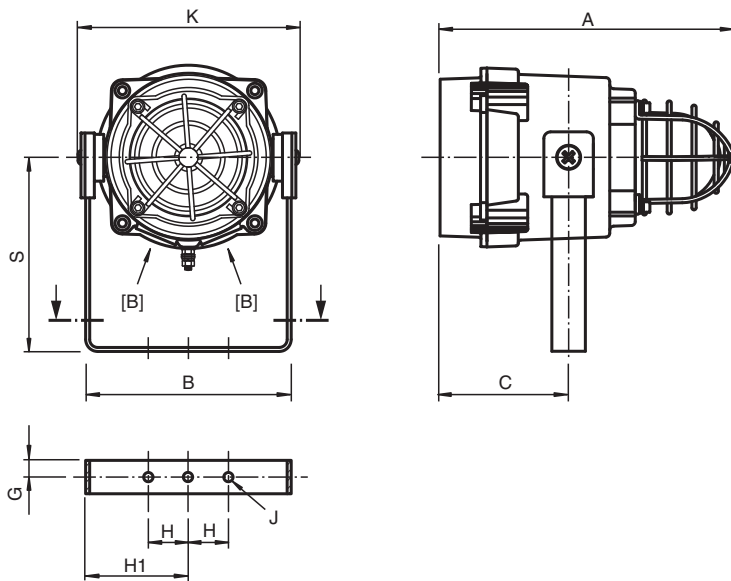


Beacon Xenon 250 cd Ex d IIC PF-BExBG05-DP*

- Automatic synchronisation with systems operation
- Beacons can be set to 'flip-flop' alternating mode with other units on multi-beacon systems
- Glass lens and stainless steel guard
- Degree of protection IP66 / IP67
- Marine grade and corrosion proof LM6 aluminium enclosure
- Ratchet adjustable stainless steel 'U' bracket
- Reverse polarity diode fitted
- UV stable PC field replaceable lens colour filter
- Xenon tube mechanically secured against shock and vibrations



Dimensions



Release date: 2020-06-02 Date of issue: 2020-06-02 Filename: t190276_eng.pdf

Refer to "General Notes Relating to Pepperl+Fuchs Product Information".

Pepperl+Fuchs Group
www.pepperl-fuchs.com

USA: +1 330 486 0002
pa-info@us.pepperl-fuchs.com

Germany: +49 621 776 2222
pa-info@de.pepperl-fuchs.com

Singapore: +65 6779 9091
pa-info@sg.pepperl-fuchs.com

PF PEPPERL+FUCHS

Dimension values see data table.

Image and drawing are generic for this device type and may deviate from the specific variant.

| Legend | |
|-------------|--|
| A | Height |
| B | Width |
| C | Depth |
| G | Mounting holes distance |
| H | Mounting holes distance |
| H1 | Mounting holes distance from edge of bracket |
| J | Mounting holes diameter |
| K | Maximum outer dimension with bracket |
| K1 | Maximum outer dimension with horn |
| S | Depth of mounting bracket |
| [A] ... [B] | Cable entry faces |

Technical Data

Electrical specifications

| | |
|--|---|
| Operating voltage | 240 V AC , 115 V AC , 24 V DC , further on request |
| Terminal capacity | 0.5 ... 2.5 mm ² |
| Line monitoring | blocking diode included EOL resistors (AC) or diodes (DC) available on request |
| Function | flashing beacon |
| Lens color | red , amber , blue , green , further on request |
| Energy | 5 J |
| Flash rate | 1 Hz |
| Luminous intensity, peak, calculated | 500000 cd , calculated from energy |
| Luminous intensity, peak, measured | 39463 cd , measured according to I.E.S. |
| Effective luminous intensity, calculated | 250 cd , calculated from energy |
| Effective luminous intensity, measured | 120 cd , measured according to I.E.S. |
| Illuminant, type | xenon tube |
| Illuminant, life | Luminous intensity reduced to 70% after 5 million flashes |

Mechanical specifications

| | |
|--------------------------------|---|
| Degree of protection | IP66/IP67 |
| Cable entry face B | |
| M20 quantity | 2 |
| M20 type | metric ISO pitch 1.5 mm |
| M20 info | Stopping Plug 1x brass nickel-plated |
| Material | |
| Enclosure | Aluminum LM6 |
| Finish | chromated, powder coated RAL 3000 (red) |
| Mounting bracket | stainless steel 1.4301 / AISI 304 |
| Mass | DC: 2.45 kg , AC: 2.75 kg |
| Dimensions | |
| External dimension (A) | 246 mm |
| External dimension (B) | 153.6 mm |
| External dimension (C) | 100 mm |
| Mounting holes distance (G) | 12.5 mm |
| Mounting holes distance (H) | 30 mm |
| Mounting holes distance (H1) | 76.8 mm |
| Mounting holes diameter (J) | 7 mm |
| Depth mounting frame (S) | 145 mm |
| Maximum external dimension (K) | 165 mm |
| Grounding | external grounding bolt M5 |

Release date: 2020-06-02 Date of issue: 2020-06-02 Filename: t190276_eng.pdf

Refer to "General Notes Relating to Pepperl+Fuchs Product Information".

Pepperl+Fuchs Group
www.pepperl-fuchs.com

USA: +1 330 486 0002
pa-info@us.pepperl-fuchs.com

Germany: +49 621 776 2222
pa-info@de.pepperl-fuchs.com

Singapore: +65 6779 9091
pa-info@sg.pepperl-fuchs.com

 PEPPERL+FUCHS

Technical Data

| Ambient conditions | |
|---|--|
| Ambient temperature | -50 ... 70 °C (-58 ... 158 °F) |
| Data for application in connection with hazardous areas | |
| EU-type examination certificate | KEMA 00 ATEX 2006 X |
| Marking | Ⓜ II 2 GD Ex d IIC T* Gb Ex tb III C T** °C Db T5 @ Ta +45 °C , T4 @ Ta +70 °C T90 °C @ Ta +40 °C , T105 °C @ Ta +55 °C , T120 °C @ Ta +70 °C |
| International approvals | |
| IECEX approval | IECEX KEM 10.0002X |
| INMETRO approval | 10-IEEx-0010 |
| EAC approval | RU C-GB.AA71.B.00109 |
| Conformity | |
| Degree of protection | EN 60529 |
| General information | |
| Scope of delivery | device , 1 Stopping Plug , Instruction leaflet |
| Supplementary information | EC-Type Examination Certificate, Statement of Conformity, Declaration of Conformity, Attestation of Conformity and instructions have to be observed where applicable. For information see www.pepperl-fuchs.com . |