

Flat suction cups (round)

SAF 40 NBR-45 G3/8-IG

Part no...:10.01.01.11431

<https://www.schmalz.com/10.01.01.11431>

Home > Vacuum Technology for Automation > Vacuum Components > Vacuum Suction Cups > Flat Suction Cups (round) > Flat Suction Cups SAF > SAF 40 NBR-45 G3/8-IG

Flat suction cup (round) for very dynamic handling of smooth and oily workpieces



Size: 40

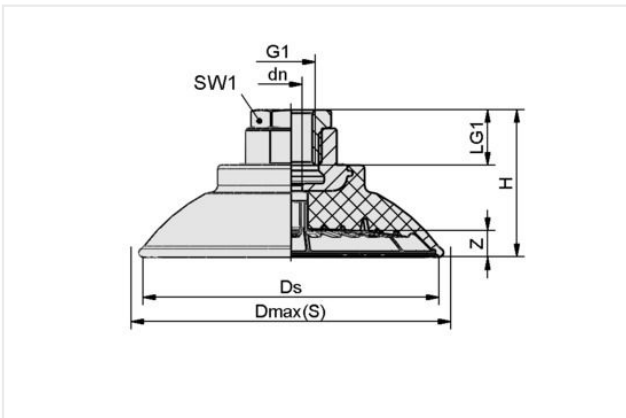
Suction cup material: Nitrile rubber NBR

Material hardness [Shore A]: 45 Shore A

Nipple material: Nickel plated

Connection: G3/8-IG

Design Data



Attribute	Value
dn	4 mm
Dmax(S)	46 mm
Ds	41 mm
G1	G3/8"-F
H	38 mm
LG1	9 mm
SW1	22 mm
Z (Stroke)	4 mm

Technical Data

Attribute	Value
Suction force (-600mbar)	69 N
Lateral force	52 N
Lateral force (oily surface)	50 N
Volume	5.30 cm ³
Curve radius (min) (convex)	50 mm
Hose diameter (empf.) d	4 mm
Size	40
Suction cup material	Nitrile rubber NBR

Contact Schmalz

Schmalz Inc. | 5850 Oak Forest Drive, Raleigh, NC 27616, USA | +1 (919) 713-0880 | schmalz.us@schmalz.com

Flat suction cups (round)

SAF 40 NBR-45 G3/8-IG

Part no.:10.01.01.11431

<https://www.schmalz.com/10.01.01.11431>

Material hardness [Shore A]	45 Shore A
Weight	44.60 g
Number of folds	0
Product family	SAF

Accessories



SU 40

Part no.:10.01.01.12856

Size: 40

Clamping range: 35.0 ... 45.0 mm

Temperature resistance: 80 °C