

The full range of the contact blocks and transformer units suitable for the AR22 and DR22 series may also be fitted to the AR30 and DR30 series.

■ **Features**

Quick-replacement contact blocks and transformer units

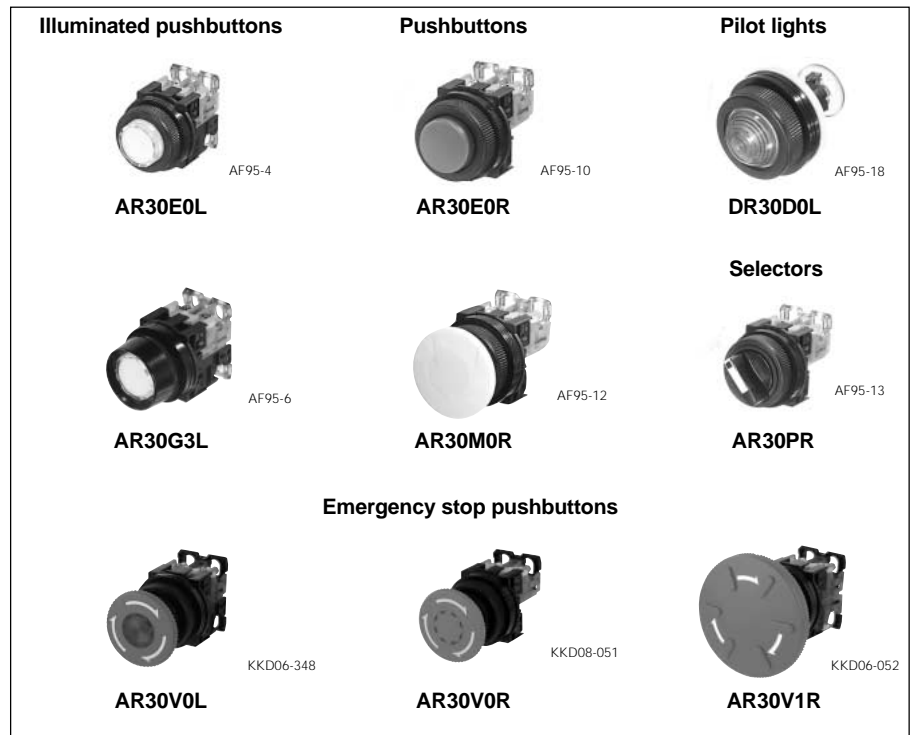
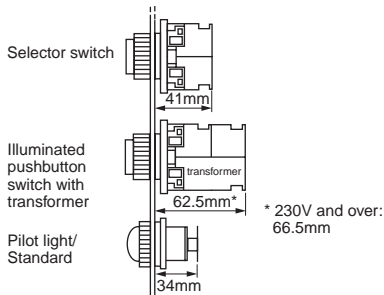
The snap-on construction makes replacement and addition of contact blocks and transformer units very simple and straightforward.

Oil-and dust-proof operator module construction

The protection level of the AR30/DR30 operator modules conforms to IEC Standard IP65. The special seals protect the operator modules and switch mechanisms against oil, dust, and grime, thus ensuring high performance in dusty and moist environments.

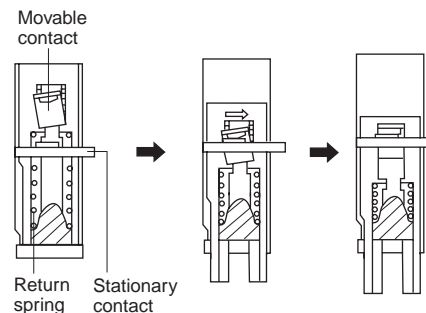
Miniaturization

- Selector switches with 1NO+1NC: 41mm deep
Pilot lights: 34mm deep
- The transformer now occupies far less space.



Self-cleaning contacts

All the contacts are double break type and feature self-cleaning action. Every time the switch is operated, the contact surfaces are wiped with a sliding movement, thus ensuring high contact reliability even at low voltage and small current levels (5V, 5mA).



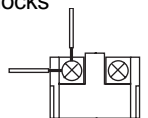
Metal nut

Safer model with metal nut is also available



Wiring

- Wiring from two directions is possible.
- Wiring in both vertical and lateral directions facilitates wiring in narrow spaces.
- Color coding of contact blocks makes wiring easy.
1NO: Blue, 1NC: Red
Lamp terminal and transformer unit: Black



Safety

- A terminal cover is provided, assuring safety and security.
- FUJI's original Trigger Action mechanism is used in the emergency stop pushbuttons. They are suitable for emergency stop and safety. This mechanism prevents the contacts from moving until the button is pushed and locked.

Protection

- Excellent oil-tight construction (IP65) of the operator.
- Closure of the contact block has been improved.

■ **Approvals**



For further information related to approved type, see page 04/56 to 04/59.

Pushbuttons/Selectors/Pilot Lights/Buzzers

AR30 and DR30

Quick reference guide

■ Illuminated pushbutton switches

Operator	Type	Operator	Type	Operator	Type
Extended round head <i>See page 04/71, 04/94</i> 	AR30E0L, E5L  AF95-4	Extended with full guard (24mm dia. with openings) <i>See page 04/71, 04/94</i> 	AR30G2L, G7L  AF99-328	Push-lock, turn-reset (40mm dia. with white arrow) <i>See page 04/71, 04/95</i> 	AR30V5L  KKD06-348
Extended with transparent full guard (24mm dia.) <i>See page 04/71, 04/94</i> 	AR30G4L, G9L  KKD05-164	Extended with full guard (24mm dia.) <i>See page 04/71, 04/94</i> 	AR30G3L, G8L  AF95-6	Push-pull <i>See page 04/71, 04/95</i> 	AR30Q7L  AF96-185

■ Pushbutton switches

Operator	Type	Operator	Type	Operator	Type
Flush round head <i>See page 04/73, 04/96</i> 	AR30F0R, F5R  AF95-11	Mushroom head (29mm dia.) <i>See page 04/73, 04/96</i> 	AR30M4R  AF95-8	Mushroom head with full guard (35mm dia. metal nut) <i>See page 04/73, 04/96</i> 	AR30GSR  AF96-239
Extended round head <i>See page 04/73, 04/96</i> 	AR30E0R, E5R  AF95-10	Extended with full guard (24mm dia.) <i>See page 04/73, 04/96</i> 	AR30G1R, G6R  AF95-16	Giant head <i>See page 04/73, 04/97</i> 	AR30B0R  AF95-579
Flush round head Symbol mark type <i>See page 04/73, 04/96</i> 	AR30FAR, FBR  AF98-195	Extended with half guard <i>See page 04/73, 04/96</i> 	AR30G0R, G5R  AF95-9	Giant head with guard <i>See page 04/73, 04/97</i> 	AR30B1R  AF95-582
Extended round head Symbol mark type <i>See page 04/73, 04/96</i> 	AR30EAR, EBR  AF98-194	Pin lock <i>See page 04/73, 04/96</i> 	AR30GPR  AF96-240	Giant head with full guard <i>See page 04/73, 04/97</i> 	AR30B2R  AF95-580
Mushroom head (40mm dia.) <i>See page 04/73, 04/96</i> 	AR30M0R, M5R  AF95-12	Mushroom head with full guard (40mm dia.) <i>See page 04/73, 04/96</i> 	AR30M3R, M8R  AF95-17	Giant head with full guard <i>See page 04/74, 04/97</i> 	AR30B3R  AF95-581





Note: AR30M8R: Not approved standard  : *See page 04/289*

■ **Pushbutton switches**

Operator	Type	Operator	Type	Operator	Type
Pushbutton with selector ring (2-position) See page 04/75, 04/97 UL, CE, CCC	AR30S1R, S2R, S3R, S6R  AF97-506	Push-lock, turn-reset (40mm dia. with white arrow) See page 04/74, 04/97 UL, CE, CCC	AR30V5R  KKD08-051	Pushbutton with emergency operating cap See page 04/74, 04/97 UL, CE, CCC	AR30FVR  AF96-187
Push, turn-lock See page 04/74, 04/97 UL, CE, CCC	AR30N0R  AF95-583				

04

■ **Emergency stop pushbutton switches (conform to EN418)**


Operator	Type	Operator	Type	Operator	Type
Push-lock, turn-reset (Soft-touch 40mm dia. with white arrow) See page 04/76, 04/98 UL, CE, CCC	AR30V0R  KKD08-051	Push-lock, turn-reset (65mm dia. with white arrow) See page 04/76, 04/98 UL, CE, CCC	AR30V1R  KKD06-352	Push-lock, pull-reset (35mm dia.) See page 04/76, 04/98 UL, CE, CCC	AR30Q2R  KKD06-347
Push-lock, turn-reset (40mm dia.) See page 04/76, 04/98 UL, CE, CCC	AR30V2R  KKD06-353				

Notes: Provided with the  (Direct opening action)

■ **Emergency stop illuminated pushbutton switches (conform to EN418)**

Operator	Type	Operator	Type
Push-lock, turn-reset (Soft-touch 40mm dia. with white arrow) See page 04/77, 04/98 UL, CE, CCC	AR30V0L  KKD06-348	Push-lock, turn-reset (40mm dia.) See page 04/77, 04/98 UL, CE, CCC	AR30V2L  KKD06-350

Note: Provided with the  (Direct opening action)









 : See page 04/289

Pushbuttons/Selectors/Pilot Lights/Buzzers

AR30 and DR30

Quick reference guide



■ Selector switches

Operator	Type	Operator	Type	Operator	Type
Knob	AR30PR, PCR	Key	AR30JR, JCR	Key (Long durability)	AR30JAR
<i>See page 04/78, 04/99</i>	 AF95-13	<i>See page 04/78, 04/99</i>	 KKD09-023	<i>See page 04/78, 04/99</i>	 KKD09-021
					
Lever	AR30WR, WCR				
<i>See page 04/78, 04/99</i>	 AF95-14				
					

■ Illuminated selector switches

Operator	Type
Knob	AR30PL
<i>See page 04/87, 04/99</i>	 AF95-5
	

■ Lever type selector switches

Operator	Type
Lever (metal type)	AR30HR
<i>See page 04/85, 04/099</i>	 KKD05-115
	

■ Pilot lights







Lens	Type	Lens	Type	Lens	Type
Dome	DR30D0L	Dome with dimmer control	DR30D1L	Flush square (40mm sq. transparent lens)	DR30M4M *
<i>See page 04/89, 04/100</i>	 AF95-18	<i>See page 04/89, 04/101</i>	 AF02-63	<i>See page 04/91, 04/102</i>	 AF97-63
					
Extended round	DR30E3L	Flush square (34mm sq. transparent lens)	DR30F4M *		
<i>See page 04/89, 04/100</i>	 AF95-20	<i>See page 04/91, 04/102</i>	 AF97-65		
					
Faceted	DR30K0L	Flush rectangular (Transparent lens)	DR30F4N *		
<i>See page 04/90, 04/101</i>	 AF95-19	<i>See page 04/91, 04/102</i>	 AF97-64		
					

Note: With resistor unit and resistor types: Not approved standard








* LED 12V AC type: Not approved standard

Ⓞ : See page 04/289

■ Joy stick selector switches

Handle	Type	Handle	Type	Handle	Type
Ball type	AR30A0, A5	Ball type with lock	AR30A1, A6	Rubber cap type	AR30A2, A7
See page 04/92, 04/103	 AF97-48	See page 04/92, 04/103	 AF97-44	See page 04/92, 04/103	 AF97-57
					

■ Buzzers

Sound	Type	Sound	Type	Sound	Type
Electronic sound	DR30B5*	Magnetic sound	DR30B0	Electronic sound (IP54)	DR30B8 *
See page 04/93, 04/104	 KKD08-058	See page 04/93, 04/104	 AF96-378	See page 04/93, 04/104	 AF96-245
					
Electronic sound (economy)	DR30B6				
See page 04/93, 04/104	 KK02-17				
					

Note: * 6V AC, 110V DC types: Not approved standard

Pushbuttons/Selectors/Pilot Lights/Buzzers

AR30 and DR30

Type number nomenclature

Illuminated pushbuttons

AR30 E0L – 10 E3 R □

① ② ③ ④ ⑤ ⑥

① Product category

AR30: 30mm-dia. illuminated pushbutton
30mm-dia. emergency stop illuminated pushbutton

② Operator

- Illuminated pushbutton
- E0L: Extended round head
- E5L: Extended round head (Alternate)
- G4L: Extended with transparent full guard (24mm dia.)
- G9L: Extended with transparent full guard (24mm dia. alternate)
- G2L: Extended with full guard (24mm dia. with openings)
- G7L: Extended with full guard (24mm dia. with openings, alternate)
- G3L: Extended with full guard (24mm dia.)
- G8L: Extended with full guard (24mm dia. alternate)
- V5L: Push-lock, turn-reset (40mm dia. with white arrow) *1
- Q7L: Push-pull
- Emergency stop illuminated pushbutton
- V0L: Push-lock, turn-reset (Soft-touch 40mm dia. with white arrow)
- V2L: Push-lock, turn-reset (40mm dia.)

③ Contact arrangement

10: 1NO	30: 3NO
01: 1NC	03: 3NC
11: 1NO+1NC	33: 3NO+3NC
20: 2NO	40: 4NO
02: 2NC	04: 4NC
22: 2NO+2NC	50: 5NO
	05: 5NC

④ Lamp voltage

- Incandescent lamp
- 54: 5.5V AC/DC, without transformer
- C4: 15V AC/DC, without transformer
- D4: 20V AC/DC, without transformer
- E4: 24V AC/DC, without transformer
- H4: 100-110V AC, with transformer
- L4: 115-127V AC, with transformer
- M4: 200-220V AC, with transformer
- Q4: 230-254V AC, with transformer
- S4: 350-380V AC, with transformer
- T4: 400-440V AC, with transformer
- V4: 480V AC, with transformer
- W4: 500-550V AC, with transformer
- LED lamp
- A3: 6V AC, without transformer
- 63: 6V DC, without transformer
- B3: 12V AC/DC, without transformer
- C3: 15V AC/DC, without transformer
- E3: 24V AC/DC, without transformer
- H3: 100-110V AC, with transformer
- L3: 115-127V AC, with transformer
- M3: 200-220V AC, with transformer
- Q3: 230-254V AC, with transformer
- S3: 350-380V AC, with transformer
- T3: 400-440V AC, with transformer
- V3: 480V AC, with transformer
- W3: 500-550V AC, with transformer

⑤ Color of lens

G: Green	Y: Yellow
R: Red *2	A: Orange
W: White	S: Blue

⑥ Special product

Z9: Resisting water-soluble cutting oils and heat
Z8: With a contact protection cover
Z4: Resisting sulfuration gas
ZB: Meeting IP2X finger-protection standards
ZM: Metal nut

Notes: *1 Products with no trigger action mechanism. These products cannot be used as emergency stop switches that comply with EN standards.

*2 Button color of emergency stop illuminated switches are Red only.

- The manufacturing range varies depending on the model. For details, refer to the contents of this catalog.

Pushbuttons/Selectors/Pilot Lights/Buzzers

AR30 and DR30

Type number nomenclature

Pushbuttons

AR30 E0R – 10 R □ □

① ② ③ ④ ⑤ ⑥

① Product category

AR30: 30mm-dia. pushbutton
30mm-dia. emergency stop pushbutton

② Operator

- Pushbutton switch
- F0R: Flush round head
- F5R: Flush round head (Alternate)
- E0R: Extended round head
- E5R: Extended round head (Alternate)
- FAR: Flush round head (Symbol mark type)
- FBR: Flush round head (Symbol mark type, alternate)
- EAR: Extended round head (Symbol mark type)
- EBR: Extended round head (Symbol mark type, alternate)
- M0R: Mushroom head (40mm dia.)
- M5R: Mushroom head (40mm dia. Alternate)
- M4R: Mushroom head (29mm dia.)
- G1R: Extended with full guard (24mm dia.)
- G6R: Extended with full guard (24mm dia. Alternate)
- GPR: Pin lock
- G0R: Extended with half guard
- G5R: Extended with half guard (Alternate)
- M3R: Mushroom head with full guard (40mm dia.)
- M8R: Mushroom head with full guard (40mm dia. Alternate)
- GSR: Mushroom head with full guard (35mm dia. metal nut)
- B0R: Giant head
- B1R: Giant head with guard
- B2R: Giant head with full guard
- B3R: Giant head with full guard
- S1R: Pushbutton with selector ring (2-position)
- S2R: Pushbutton with selector ring (2-position)
- S3R: Pushbutton with selector ring (2-position)
- S6R: Pushbutton with selector ring (2-position)
- N0R: Push, turn-lock
- V5R: Push-lock, turn-reset (40mm dia. with white arrow) *1
- FVR: Pushbutton with emergency operating cap
 - Emergency stop pushbutton switch
- V0R: Push-lock, turn-reset (Soft-touch 40mm dia. with white arrow)
- V2R: Push-lock, turn-reset (40mm dia.)
- V1R: Push-lock, turn-reset (Soft-touch 65mm dia. with white arrow)
- Q2R: Push-lock, pull-reset (35mm dia.)

③ Contact arrangement

10: 1NO	30: 3NO
01: 1NC	03: 3NC
11: 1NO+1NC	33: 3NO+3NC
20: 2NO	40: 4NO
02: 2NC	04: 4NC
22: 2NO+2NC	44: 4NO+4NC
	50: 5NO
	05: 5NC

④ Color of button

G: Green	Y: Yellow
R: Red ²	A: Orange
B: Black	S: Blue
W: White	C: Clear
T: Green, Red, Black (For AR30F0R)	(For AR30FAR, FBR, EAR, EBR)

⑤ Symbol mark (For AR30FAR, FBR, EAR, EBR)

Symbol mark	○	I	Ⓢ	○	I	Ⓢ
Color of button	White	Black	White	Black	White	Black
Color of mark	Red	Green	Green	Black		
Code	01	02	03	04	11	12
					02B	04B
						12B

⑥ Special product

- Z9: Resisting water-soluble cutting oils and heat
- Z8: With a contact protection cover
- Z4: Resisting sulfuration gas
- ZB: Meeting IP2X finger-protection standards
- ZM: Metal nut

Notes: *1 Products with no trigger action mechanism. These products cannot be used as emergency stop switches that comply with EN standards.

*2 Button color of emergency stop switches are Red only.

- The manufacturing range varies depending on the model. For details, refer to the contents of this catalog.

Pushbuttons/Selectors/Pilot Lights/Buzzers

AR30 and DR30

Type number nomenclature

Selector and illuminated selector switches

AR30 PL – 2 □ 10 E3 G □ □

① ② ③ ④ ⑤ ⑥ ⑦ ⑧ ⑨

① Product category

AR30: 30mm dia. selector switch and illuminated selector switch

② Operator

- Selector switch

PR: Knob

PCR: Knob operated control type

WR: Lever

WCR: Lever operated control type

JR: Key

JCR: Key operated control type

JAR: Key (Long durability)

HR: Lever (Metal type)

- Illuminated selector switch

PL: Knob

③ Operation

2: 2-position, maintained

0: 2-position, spring return

3: 3-position, maintained

6: 3-position, spring/manual return (Left to center)

7: 3-position, spring/manual return (Right to center)

1: 3-position, spring return

4: 4-position, maintained (For AR30PCR, WCR)

5: 5-position, maintained (For AR30PCR, WCR)

④ Key removable position

A: Left

B: Left and right

C: Left, right and center

D: Right

E: Center

F: Right and center

G: Left and center

⑤ Contact arrangement

10: 1NO 30: 3NO

01: 1NC 03: 3NC

11: 1NO+1NC 33: 3NO+3NC

20: 2NO 40: 4NO

02: 2NC 04: 4NC

22: 2NO+2NC 44: 4NO+4NC

50: 5NO

05: 5NC

Note: Control type: See page 04/82 to 04/84

⑥ Lamp voltage

- Incandescent lamp

54: 5.5V AC/DC, without transformer

C4: 15V AC/DC, without transformer

D4: 20V AC/DC, without transformer

E4: 24V AC/DC, without transformer

H4: 100-110V AC, with transformer

L4: 115-127V AC, with transformer

M4: 200-220V AC, with transformer

Q4: 230-254V AC, with transformer

S4: 350-380V AC, with transformer

T4: 400-440V AC, with transformer

V4: 480V AC, with transformer

W4: 500-550V AC, with transformer

- LED lamp

A3: 6V AC, without transformer

63: 6V DC, without transformer

B3: 12V AC/DC, without transformer

C3: 15V AC/DC, without transformer

E3: 24V AC/DC, without transformer

H3: 100-110V AC, with transformer

L3: 115-127V AC, with transformer

M3: 200-220V AC, with transformer

Q3: 230-254V AC, with transformer

S3: 350-380V AC, with transformer

T3: 400-440V AC, with transformer

V3: 480V AC, with transformer

W3: 500-550V AC, with transformer

⑦ Color of knob

B: Black (Not available for illuminated selector switch)

G: Green

R: Red

W: White (Not available for selector switch)

Y: Yellow (Not available for selector switch)

A: Orange (Not available for selector switch)

S: Blue (Not available for selector switch)

⑧ Key type No.

A, B, C, D, E or F

("A" is standard)

⑨ Special product

Z9: Resisting water-soluble cutting oils and heat

Z8: With a contact protection cover

Z4: Resisting sulfuration gas

ZB: Meeting IP2X finger-protection standards

ZM: Metal nut

Note: • The manufacturing range varies depending on the model. For details, refer to the contents of this catalog.

Pilot lights

DR30 D0L – E3 W □
 ① ② ③ ④ ⑤

① **Product category**

DR30: 30mm dia. pilot light

② **Lens**

D0L: Dome
 E3L: Extended round
 K0L: Faceted
 D1L: Dome with dimmer control
 F4M: Flush square (34mm sq. transparent lens)
 F4N: Flush rectangular (Transparent lens)
 M4M: Flush square (40mm sq. transparent lens)

③ **Lamp voltage**

• Incandescent lamp

54: 5.5V AC/DC, without transformer	H8: 100-110V AC, short-body with transformer
C4: 15V AC/DC, without transformer	L8: 115-127V AC, short-body with transformer
D4: 20V AC/DC, without transformer	M8: 200-220V AC, short-body with transformer
E4: 24V AC/DC, without transformer	
H4: 100-110V AC, with transformer	
L4: 115-127V AC, with transformer	
M4: 200-220V AC, with transformer	
Q4: 230-254V AC, with transformer	
S4: 350-380V AC, with transformer	
T4: 400-440V AC, with transformer	
V4: 480V AC, with transformer	
W4: 500-550V AC, with transformer	
FQ: 50V DC, with resistor*	
HQ: 110V DC, with resistor*	
MQ: 220V DC, with resistor*	

• LED lamp

A3: 6V AC, without transformer	H9: 100-110V AC, short-body with transformer
63: 6V DC, without transformer	L9: 115-127V AC, short-body with transformer
B3: 12V AC/DC, without transformer	M9: 200-220V AC, short-body with transformer
C3: 15V AC/DC, without transformer	
E3: 24V AC/DC, without transformer	
H3: 100-110V AC, with transformer	
L3: 115-127V AC, with transformer	
M3: 200-220V AC, with transformer	
Q3: 230-254V AC, with transformer	
S3: 350-380V AC, with transformer	
T3: 400-440V AC, with transformer	
V3: 480V AC, with transformer	
W3: 500-550V AC, with transformer	
H7: 110V DC, with resistor unit	
FR: 50V DC, with resistor*	
HR: 110V DC, with resistor*	
MR: 220V DC, with resistor*	

• LED unit

(For DR30F4M, F4N, M4M type)

65: 6V DC, without transformer
 25: 12V AC, without transformer
 B5: 12V AC/DC, without transformer
 E5: 24V AC/DC, without transformer
 H5: 100-110V AC, with transformer
 L5: 115-127V AC, with transformer
 M5: 200-220V AC, with transformer
 Q5: 230-254V AC, with transformer
 S5: 350-380V AC, with transformer
 T5: 400-440V AC, with transformer
 V5: 480V AC, with transformer
 W5: 500-550V AC, with transformer
 HE: 110V DC, with resistor unit

Note: * DR30D0L, K0L type only

④ **Color of lens or color plate**

G: Green	Y: Yellow
R: Red	A: Orange
W: White	S: Blue

⑤ **Special product**

Z9: Resisting water-soluble cutting oils and heat
 Z4: Resisting sulfuration gas
 ZB: Meeting IP2X finger-protection standards
 ZM: Metal nut

Note: • The manufacturing range varies depending on the model. For details, refer to the contents of this catalog.

Pushbuttons/Selectors/Pilot Lights/Buzzers

AR30 and DR30

Type number nomenclature

Joy stick selector switches

AR30A 0 N – A0A0 B

① ②③ ④ ⑤

① Product category

AR30A: 30mm-dia. Joy stick selector switch

② Handle

- 0: Ball type (without lock, manual return)
- 1: Ball type with lock (manual return)
- 2: Rubber cap type (without lock, manual return)
- 5: Ball type (without lock, spring return)
- 6: Ball type with lock (spring return)
- 7: Rubber cap type (without lock, spring return)

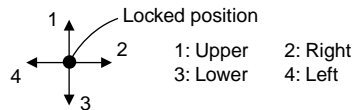
③ Terminal

- N: Screw
- H: Solder/tab

④ Contact arrangement

Contact arrangement	Blank	1NO	1NC	1NO+1NC	2NO	2NC	2NO+2NC	
Code	Screw	0	A	B	1	D	E	–
	Solder/tab	0	–	–	1	–	–	2

Operating direction code of contacts



Ex. AR30A0N-A0A0B
1 2 3 4

⑤ Handle color

- B: Black

■ Ordering information

Specify the following:

1. Type number

For the CCC approved product, add the suffix **(CCC)** to the type number

Example: Pushbutton switch AR30F0R-11B**(CCC)**

Buzzers

DR30B 5 – E B

① ② ③④

① Product category

DR30B: 30mm-dia. buzzer

② Sound

- 5: Electronic sound
- 6: Electronic sound (economy)
- 0: Magnetic sound
- 8: Electronic sound (IP54)

③ Operating voltage

- A: 6V AC (Type “5”, “8”)
- 6: 6V DC (Type “5”, “8”)
- E: 12-24V AC/DC (Type “6” : 24V DC)
- F: 35-48V AC/DC (Type “5”, “8”)
- G: 24V AC (Type “6”)
- H: 100-110V AC
- M: 200-220V AC
- 1: 100-110V DC (Type “5”, “8”)

④ Color of head

- B: Black

■ **Standards approved**

UL508	File No. E44592
CSA C22.2 No.14	File No. LR20479
TÜV: EN60947-5-1	Pushbutton, Illuminated pushbutton: R9551062 Selector, Illuminated selector: R9551060 Pilot lights: R9551061 Joy stick selector switch: R2050803 (Lever switch) Buzzer: J9950091
TÜV: EN60947-5-1 EN60947-5-5	Emergency stop pushbutton Emergency stop illuminated pushbutton : R50028146

■ **Specifications (Indoor use)**

Description	Pushbutton switch Illuminated pushbutton switch Emergency stop pushbutton switch Emergency stop illuminated pushbutton switch Selector switch Illuminated selector switch	Joy stick selector (Lever switch)	Pilot light
Rated insulation voltage	600V AC/DC *1	250V AC/DC	250V AC/DC *2
Mechanical durability	<i>See page 04/66</i>		
Electrical durability	500,000 operations at 220V AC 6A 1 million operations at 220V AC 3A	100,000 operations at 220V AC 1A (Res. load)	–
Operating frequency	1200 operations/hour (On-load factor: 40%)		–
Dielectric strength	2500V AC, 1 minute *3	2000V AC, 1 minute *4	
Insulation resistance	100MΩ or more (500V DC megger)		100MΩ or more (500V DC megger)
Rated impulse dielectric strength	6kV	–	6kV
Conditional short-circuit current	1000A	1000A	–
Short-circuit protective device	Fuse 15A	Fuse 1A	–
Pollution degree	3		
Vibration	Resonance: 10 to 55Hz, double amplitude 0.1mm *5 Constant: 16.7Hz, double amplitude 3mm		
Shock	Malfunction durability: 100m/s ² *6 Mechanical durability: 500m/s ²		Mechanical durability: 500m/s ²
Ambient temperature (No condensation or no icing)	-20 to +70°C	-5 to +70°C	-20 to +50°C
Storage temperature	-40 to +80°C		
Humidity	45 to 85% RH (within -5 to +40°C)		
Degree of protection	IP65 *7		

Notes: *1 Illuminated type without transformer: 250V AC/DC

*2 Pilot light with transformer: 600V AC

*3 Illuminated type without transformer: 2000V AC, 1 minute

*4 Pilot light with transformer: 2500V AC, 1 minute

*5 Emergency stop type: 10 to 500Hz, double amplitude 0.7mm (acceleration 50m/s²), according to the test condition of EN60947-5-5 (1998)

*6 Emergency stop type: 150m/s²

*7 AR30Q7L and DR30D1L type: IP40

Pushbuttons/Selectors/Pilot Lights/Buzzers

AR30 and DR30

Ratings and specifications

● Mechanical durability

Description		Operations
Pushbutton switch	Momentary action	5 million
Illuminated pushbutton switch	Alternate action	1 million
Emergency stop pushbutton switch	With selector ring	100,000
Emergency stop illuminated pushbutton	Push-lock, turn-reset	100,000
	Push-lock, pull-reset	30,000
Selector switch	Maintained 1, 2, 3, 4-contact	1 million
	Maintained 5, 6, 7, 8-contact	500,000
	Control type, spring return, spring/manual return	200,000
Illuminated selector switch	Maintained	
	Without transformer 1, 2, 3-contact	1 million
	4-contact	500,000
	With transformer 1, 2-contact	1 million
	3-contact	500,000
	Spring return, spring/manual return	200,000

Note: Key insertion/removal durability for selector switch key types

- Key type 10,000
- Key (Long durability) type 20,000

● Buzzers

Item	DR30B5	DR30B6	DR30B0	DR30B8
Rated insulation voltage	Without transformer: 60V AC/DC With transformer: 250V AC *1			
Sound level	90dB (0.1m) 70dB (1m)			80dB (0.1m) 60dB (1.0m)
Durability	1000h		80h	1000h
Frequency	2.4 to 3.3kHz	1.9 to 2.5kHz		2.4 to 3.3kHz
Intermittent cycle	Approx. 170-cycle/min	–	–	Approx. 170-cycle/min
Current consumption	See the table below			
Dielectric strength	Without transformer: 1000V AC 1 minute With transformer: 2000V AC 1 minute *2			
Insulation resistance	100MΩ or more (500V DC megger)			
Pollution degree	3			
Vibration	Resonance: 10 to 55Hz, double amplitude 0.1mm Constant: 16.7Hz, double amplitude 3.0mm			
Shock	Mechanical durability: 500m/s ²			
Ambient temperature	–20 to +60°C (No condensation or no icing) (with resistor unit: –20 to +40°C)			
Storage temperature	–30 to +70°C			
Humidity	45 to 85%RH (within –5 to 40°C)			
Degree of protection	IP00			IP54

Note: *1 DR30B0 (without transformer): 250V AC

*2 DR30B0 (without transformer): 2000V AC 1 minute

● Current consumption

Operational voltage	Current consumption		
	DR30B5, DR30B8	DR30B6	DR30B0
6V AC	70mA AC	–	–
6V DC	35mA DC	25mA AC	–
24V AC	–	45mA AC	–
24V DC	–	30mA DC	–
24V AC/DC	40mA AC, 25mA DC	30mA AC, 20mA DC	–
48V AC/DC	65mA AC, 20mA DC	–	–
110V AC	30mA AC	30mA AC	30mA AC
110V DC	30mA DC	–	–
220V AC	15mA AC	15mA AC	20mA AC

Pushbuttons/Selectors/Pilot Lights/Buzzers
AR30 and DR30
Ratings and specifications

■ **Contact ratings**
 ● **UL/CSA standards**
AC (COS $\phi=0.35$)

Contact rated code	120V		240V		480V		600V	
	Making current	Breaking current	Making current	Breaking current	Making current	Breaking current	Making current	Breaking current
A600	60A	6.0A	30A	3.0A	15A	1.5A	12A	1.2A

DC $T_{0.95}=6P$ (Max. 300ms)

Description	Contact rated code	Making current · Breaking current		
		125V	250V	301V–600V
Illuminated pushbutton switch Pushbutton (Ring type selector switch: AR30S2R only) Emergency stop pushbutton switch Emergency stop illuminated pushbutton switch (Except the overlap contact types)	P600	1.1A	0.55A	0.2A
Overlap contact types of products shown above Pushbutton (Ring type selector switch: AR30S1R, S6R only) Selector switch (2-position only, except the overlap contact types) Illuminated selector switch (2-position only, except the overlap contact types)	Q600	0.55A	0.27A	0.1A
Pushbutton (Ring type selector switch: AR30S3R only) Selector switch (2-pos./overlap contact type, 3-, 4-, 5-pos. type) Illuminated selector switch (2-pos./overlap contact type, 3-pos. type)	R300	0.22A	0.11A	–

Note: Joy stick selector switches (Lever switches): 250V AC, 5A (Res. load) 125V DC, 0.2A 24V DC, 1A (Res. load)

● **EN standard/TÜV approved**

Description	Rated operational current			
	Rated thermal current	Rated operational voltage	AC15 (Ind. load)	DC13 (Ind. load)
			Rated operational current	Rated operational current
Illuminated pushbutton switch Pushbutton (Except the selector ring type) Emergency stop pushbutton switch Emergency stop illuminated pushbutton switch Selector switch (2-position) Illuminated selector switch (2-position)	10A	24V	6.0A	4.0A
		120V	6.0A	–
		125V	–	1.3A
		240V	6.0A	–
		250V	–	0.45A
		480V	2.5A	–
		600V	2.0A	–
Selector switch (3, 4, 5-position) Illuminated selector switch (3-position) Pushbutton with selector ring	10A	24V	6.0A	2.0A
		120V	6.0A	–
		125V	–	0.65A
		240V	6.0A	–
		250V	–	0.23A
		480V	2.5A	–
Joy stick selector switch (Lever switch)	5A	24V	–	0.7A
		120V	0.3A	–
		125V	–	0.15A
		240V	0.3A	–

Lamp rated voltage UL/CSA standards, TÜV approved

	LED lamp	Incandescent lamp
Full-voltage (without transformer)	Max. 24V AC/DC	Max. 30V AC/DC
With transformer	Max. 550V AC (Short-body type: Max. 220V AC)	

Pushbuttons/Selectors/Pilot Lights/Buzzers

AR30 and DR30

Ratings and specifications

■ Operating characteristic (1NO+1NC)

Description	Pushbutton Illuminated pushbutton	Emergency stop pushbutton		Selector *2		
		Emergency stop illuminated pushbutton		Illuminated selector		
		Push-lock type	Push-pull type	Maintained	Spring/manual return	Spring return
Ave. required operating force	9N (Push-lock type: 20N)	30N *1	45N	0.15N•m	0.13N•m	0.1N•m
Operating travel	Approx. 6mm (Push-lock type: Approx. 9mm, operation angle: Approx. 45°)	Approx. 9mm (Operation angle: Approx. 45°)	Approx. 9mm	2-position: Approx. 90° 3-position: Approx. 45° 4-position: Approx. 40° 5-position: Approx. 30°	3-position: Approx. 45°	2-position: Approx. 60° 3-position: Approx. 45°
Required return force	– (Push-lock type: 0.6N•m)	0.6N•m	30N (pull)	0.15N•m	0.13N•m	–

Notes: *1 AR30V2R type: 45N
*2 4-position, 5-position: 2NO+2NC

■ Lamp ratings

● Illuminated pushbuttons, illuminated selectors, pilot lights (round type)

Transformer	Lamp voltage	LED (lamp base: BA9S/13)			Incandescent (lamp base: BA9S/13)		
		Type	Rated voltage	Consumption	Type	Rated voltage	Consumption
Without transformer	5.5V AC/DC	–	–	–	AHX135	6.3V AC/DC	0.9W
	6V AC	APX510-6□	6V AC	Green, red, orange, amber, blue: 7mA AC Yellow: 50mA AC	–	–	–
	6V DC	APX510-D6□	6V DC	Green, red, orange, amber, blue: 11mA DC Yellow: 33mA DC	–	–	–
	12V AC/DC	APX510-12□	12V AC/DC	Green, red, orange, amber, blue: 14mA AC, 11mA DC Yellow: 28mA AC, 22mA DC	–	–	–
	15V AC/DC	APX510-15□	15V AC/DC	Green, red, orange, amber, blue: 13mA AC, 11mA DC Yellow: 26mA AC, 22mA DC	AHX279	18V AC/DC	0.8W
	20V AC/DC 24V AC/DC	– APX510-24□	– 24V AC/DC	– 12mA AC, 11mA DC	AHX144 AHX129	24V AC/DC 30V AC/DC	0.9W 0.8W
With transformer (Standard type: AR9T511)	110V AC	APX510-6□	6V AC	1.5VA	AHX135	6.3V AC/DC	2VA
	127V AC						2VA
	220V AC						2VA
	254V AC	APX510-6□	6V AC	2.5VA	AHX135	6.3V AC/DC	2.5VA
	380V AC 440V AC 480V AC 550V AC						2.5VA 2.5VA 2.5VA 2.5VA
With resistor unit (AR9T519-H)	110V DC	APX510-24□	24V AC/DC	1.2W	–	–	–

Notes: • Short body pilot lights: 110V AC, 127V AC, 220V AC only
• Replace the □ mark by the lamp luminous color code, see page 04/70

● Pilot lights with resistor

Lamp Voltage	LED (lamp base: E12/15)			Incandescent (lamp base: E12/15)		
	Type	Rated voltage	Consumption	Type	Rated voltage	Consumption
50V DC	APX507-24□ *	24V AC/DC	0.8W	AHX130	18V AC/DC	5W
110V DC			1.7W			10W
220V DC			3.3W			20W

Notes: * White: APX509-24O
• Replace the □ mark by the lamp luminous color code, see page 04/70

Pushbuttons/Selectors/Pilot Lights/Buzzers
AR30 and DR30
Ratings and specifications

• **Pilot lights (DR30F4M, F4N, M4M types)**

Transformer	Lamp voltage	LED (lamp base: BA9S/13)			Incandescent (lamp base: BA9S/13)		
		Type	Rated voltage	Consumption	Type	Rated voltage	Consumption
Without transformer	5.5V AC/DC	–	–	–	AHX135	6.3V AC/DC	0.9W
	6V DC	DR9Q005-6□	6V DC	Green, red, amber: 20mA DC White: 33mA DC Yellow: 48mA DC	–	–	–
	12V AC	DR9Q005-2□	12V AC	Red, amber: 18mA AC Green: 10mA AC White: 30mA AC Yellow: 50mA AC	–	–	–
	12V AC/DC	DR9Q005-B□	12V AC/DC	Red, amber: 22mA AC, 20mA DC Green: 13mA AC, 10mA DC White: 36mA AC, 30mA DC Yellow: 54mA AC, 48mA DC	–	–	–
	15V AC/DC	–	–	–	AHX279	20V AC/DC	0.8W
	20V AC/DC	–	–	–	AHX144	24V AC/DC	0.9W
	24V AC/DC	DR9Q005-E□	24V AC/DC	Green, red, amber: 11mA AC, 10mA DC White: 12mA AC, 11mA DC Yellow: 16mA AC, 12mA DC	AHX129	30V AC/DC	0.8W
With transformer unit (LED: AR9T557) (Incandescent: AR9T511)	110V AC	DR9Q005-2□	12V AC	3VA	AHX135	6.3V AC/DC	2VA
	127V AC						2VA
	220V AC						2VA
	254V AC						2.5VA
	380V AC						2.5VA
	440V AC						2.5VA
	480V AC						2.5VA
	550V AC						2.5VA
With resistor unit (AR9T519-H)	110V DC	DR9Q005-E□	24V AC/DC	1.4W	–	–	–

Notes: • Replace the □ mark by the lamp luminous color code, see page 04/70

04

Pushbuttons/Selectors/Pilot Lights/Buzzers

AR30 and DR30

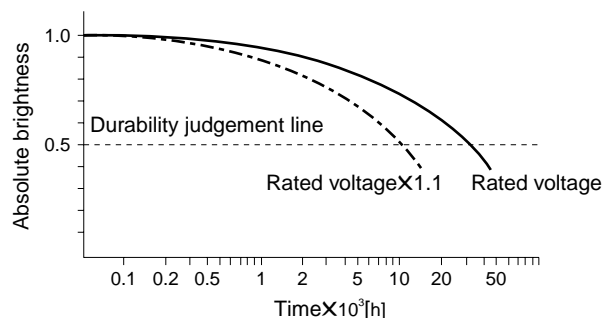
Ratings and specifications

■ Lamp durability

Lamp	Durability (reference)	Judgement criterion
LED	Approx. 30000h	When brightness is less than 50% of initial value
Incandescent	Approx. 5000h (AC)	When the bulb burns out

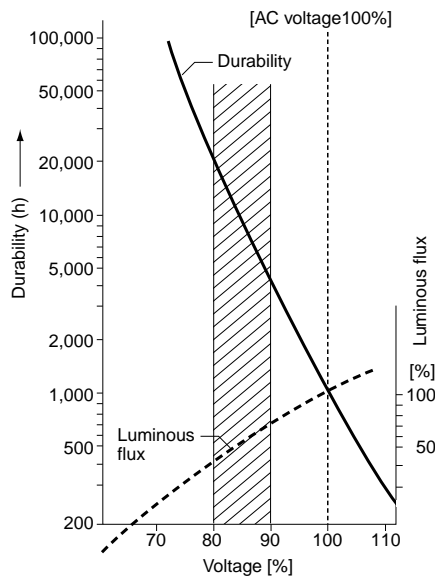
Notes: •The operating voltage for incandescent lamps is set at 80 to 90% of the lamp's rated voltage.
•The durability of LED lamp is a mean value in all colors.

Estimated durability for LED lamps



Notes: • Durability at $T_a=25^{\circ}\text{C}$
• Durability is affected by temperature, humidity, and voltage fluctuation.

Incandescent lamp voltage characteristics



■ Combination of lens color and LED luminous color

Button color (lens or color plate)		LED lamp (high-brightness)			LED lamp (high-brightness)	
Color	Code	Luminous color	Type	Type * ¹	Luminous color	Type * ²
Green	G	Green	APX510-■G	APX507-24G	Green	DR9Q005-■G
Red	R	Red	APX510-■R	APX507-24R	Red	DR9Q005-■R
White	W	Orange	APX510-■O	APX509-24O	White	DR9Q005-■W
Yellow	Y	Yellow	APX510-■Y	APX507-24Y	Yellow	DR9Q005-■Y
Orange	A	Amber	APX510-■A	APX507-24A	Amber	DR9Q005-■A
Blue	S	Blue	APX510-■S	APX507-24S	-	-

Notes: *¹ For pilot light with resistor

*² For DR30 F4M, F4N, M4M type

• Replace the ■ mark by the lamp voltage code, see page 04/68, 04/69

■ Illuminated pushbutton switches

Operator	Transformer	Contact	LED lamp Momentary action Type	Alternate action Type	Incandescent lamp Momentary action Type	Alternate action Type
Extended round head  AF95-4	Without	1NO 1NC 1NO+1NC 2NO+2NC	AR30E0L-10■3□ AR30E0L-01■3□ AR30E0L-11■3□ AR30E0L-22■3□	AR30E5L-10■3□ AR30E5L-01■3□ AR30E5L-11■3□ —	AR30E0L-10■4□ AR30E0L-01■4□ AR30E0L-11■4□ AR30E0L-22■4□	AR30E5L-10■4□ AR30E5L-01■4□ AR30E5L-11■4□ —
	With	1NO 1NC 1NO+1NC	AR30E0L-10■3□ AR30E0L-01■3□ AR30E0L-11■3□	AR30E5L-10■3□ AR30E5L-01■3□ AR30E5L-11■3□	AR30E0L-10■4□ AR30E0L-01■4□ AR30E0L-11■4□	AR30E5L-10■4□ AR30E5L-01■4□ AR30E5L-11■4□
Extended with transparent full guard (24mm dia.)  KKD05-164	Without	1NO 1NC 1NO+1NC 2NO+2NC	AR30G4L-10■3□ AR30G4L-01■3□ AR30G4L-11■3□ AR30G4L-22■3□	AR30G9L-10■3□ AR30G9L-01■3□ AR30G9L-11■3□ —	AR30G4L-10■4□ AR30G4L-01■4□ AR30G4L-11■4□ AR30G4L-22■4□	AR30G9L-10■4□ AR30G9L-01■4□ AR30G9L-11■4□ —
	With	1NO 1NC 1NO+1NC	AR30G4L-10■3□ AR30G4L-01■3□ AR30G4L-11■3□	AR30G9L-10■3□ AR30G9L-01■3□ AR30G9L-11■3□	AR30G4L-10■4□ AR30G4L-01■4□ AR30G4L-11■4□	AR30G9L-10■4□ AR30G9L-01■4□ AR30G9L-11■4□
Extended with full guard (24mm dia. with openings)  AF99-328	Without	1NO 1NC 1NO+1NC 2NO+2NC	AR30G2L-10■3□ AR30G2L-01■3□ AR30G2L-11■3□ AR30G2L-22■3□	AR30G7L-10■3□ AR30G7L-01■3□ AR30G7L-11■3□ —	AR30G2L-10■4□ AR30G2L-01■4□ AR30G2L-11■4□ AR30G2L-22■4□	AR30G7L-10■4□ AR30G7L-01■4□ AR30G7L-11■4□ —
	With	1NO 1NC 1NO+1NC	AR30G2L-10■3□ AR30G2L-01■3□ AR30G2L-11■3□	AR30G7L-10■3□ AR30G7L-01■3□ AR30G7L-11■3□	AR30G2L-10■4□ AR30G2L-01■4□ AR30G2L-11■4□	AR30G7L-10■4□ AR30G7L-01■4□ AR30G7L-11■4□
Extended with full guard (24mm dia.)  AF95-6	Without	1NO 1NC 1NO+1NC 2NO+2NC	AR30G3L-10■3□ AR30G3L-01■3□ AR30G3L-11■3□ AR30G3L-22■3□	AR30G8L-10■3□ AR30G8L-01■3□ AR30G8L-11■3□ —	AR30G3L-10■4□ AR30G3L-01■4□ AR30G3L-11■4□ AR30G3L-22■4□	AR30G8L-10■4□ AR30G8L-01■4□ AR30G8L-11■4□ —
	With	1NO 1NC 1NO+1NC	AR30G3L-10■3□ AR30G3L-01■3□ AR30G3L-11■3□	AR30G8L-10■3□ AR30G8L-01■3□ AR30G8L-11■3□	AR30G3L-10■4□ AR30G3L-01■4□ AR30G3L-11■4□	AR30G8L-10■4□ AR30G8L-01■4□ AR30G8L-11■4□
Push-lock, turn-reset (40mm dia. with white arrow)  KKD06-348	Without	1NO 1NC 1NO+1NC 3NC	— — — —	AR30V5L-10■3□ AR30V5L-01■3□ AR30V5L-11■3□ AR30V5L-03■3□	— — — —	AR30V5L-10■4□ AR30V5L-01■4□ AR30V5L-11■4□ AR30V5L-03■4□
	With	1NO 1NC 1NO+1NC	— — —	AR30V5L-10■3□ AR30V5L-01■3□ AR30V5L-11■3□	— — —	AR30V5L-10■4□ AR30V5L-01■4□ AR30V5L-11■4□
Push-pull (35mm dia.)  AF96-185	Without	1NO+1NC	AR30Q7L-11■3□	—	AR30Q7L-11■4□	—
	With	1NO+1NC	AR30Q7L-11■3□	—	AR30Q7L-11■4□	—

Note: ■ □ See page 04/72

Illuminated Pushbuttons

AR30

• Lens color

Replace the □ mark by the lens color code

Color	Green	Red	White	Blue	Yellow	Orange
Code	G	R	W	S	Y	A

Note: AR30V5L type: Red, yellow only

• Contact arrangements

Contact arrangements other than above are available

Contact arrangement	1NO	1NC	1NO+1NC	2NO	2NC	3NO
Code	10	01	11	20	02	30

Contact arrangement	3NC	2NO+2NC	4NO	4NC	5NO	5NC
Code	03	22	40	04	50	05

Note: AR30Q7L type: 1NO + 1NC only

Available numbers of contact blocks

Operation	Without transformer	With transformer
Momentary action	6-contact block	4-contact block
Alternate action Push-lock, turn-reset	3-contact block	2-contact block

• Contact operation (AR30Q7L)

Contact block		Button position		
No.	Type	Pull	Free	Push
(1)	NC	●		
(2)	NC	●		

● Contact closed

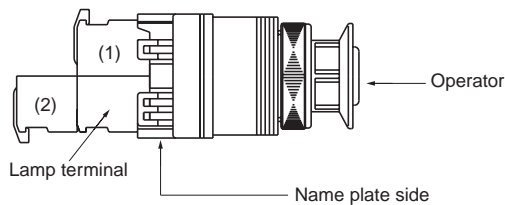
• Voltage

Replace the ■ mark by the lamp voltage code

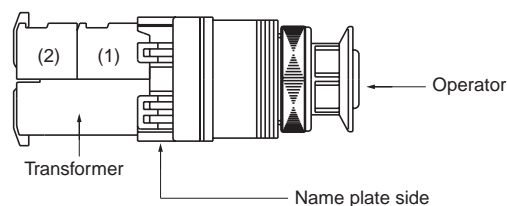
Transformer		Code	
		LED	Incandescent
Without transformer	6V DC	6	—
	6V AC	A	—
	5.5V AC/DC	—	5
	12V AC/DC	B	—
	15V AC/DC	C	C
	20V AC/DC	—	D
With transformer	24V AC/DC	E	E
	100-110V AC	H	H
	115-127V AC	L	L
	200-220V AC	M	M
	230-254V AC	Q	Q
	350-380V AC	S	S
	400-440V AC	T	T
480V AC	V	V	
500-550V AC	W	W	

• Position of contact block

AR30Q7L (without transformer)










AR30Q7L (with transformer)





■ Pushbutton switches

Operator	Contact	Momentary action Type	Alternate action Type
Flush round head  AF95-11	1NO 1NC 1NO+1NC 2NO 2NC 2NO+2NC	AR30F0R-10□ AR30F5R-10□ AR30F0R-01□ AR30F5R-01□ AR30F0R-11□ AR30F5R-11□ AR30F0R-20□ AR30F5R-20□ AR30F0R-02□ AR30F5R-02□ AR30F0R-22□ AR30F5R-22□	
Extended round head  AF95-10	1NO 1NC 1NO+1NC 2NO 2NC 2NO+2NC	AR30E0R-10□ AR30E5R-10□ AR30E0R-01□ AR30E5R-01□ AR30E0R-11□ AR30E5R-11□ AR30E0R-20□ AR30E5R-20□ AR30E0R-02□ AR30E5R-02□ AR30E0R-22□ AR30E5R-22□	
Flush round head symbol mark type  AF98-195	1NO 1NC 1NO+1NC 2NO 2NC 2NO+2NC	AR30FAR-10C■ AR30FBR-10C■ AR30FAR-01C■ AR30FBR-01C■ AR30FAR-11C■ AR30FBR-11C■ AR30FAR-20C■ AR30FBR-20C■ AR30FAR-02C■ AR30FBR-02C■ AR30FAR-22C■ AR30FBR-22C■	
Extended round head symbol mark type  AF98-194	1NO 1NC 1NO+1NC 2NO 2NC 2NO+2NC	AR30EAR-10C■ AR30EBR-10C■ AR30EAR-01C■ AR30EBR-01C■ AR30EAR-11C■ AR30EBR-11C■ AR30EAR-20C■ AR30EBR-20C■ AR30EAR-02C■ AR30EBR-02C■ AR30EAR-22C■ AR30EBR-22C■	
Mushroom head (40mm dia.)  AF95-12	1NO 1NC 1NO+1NC 2NO 2NC 2NO+2NC	AR30M0R-10□ AR30M5R-10□ AR30M0R-01□ AR30M5R-01□ AR30M0R-11□ AR30M5R-11□ AR30M0R-20□ AR30M5R-20□ AR30M0R-02□ AR30M5R-02□ AR30M0R-22□ AR30M5R-22□	
Mushroom head (29mm dia.)  AF95-8	1NO 1NC 1NO+1NC 2NO 2NC 2NO+2NC	AR30M4R-10□ — AR30M4R-01□ — AR30M4R-11□ — AR30M4R-20□ — AR30M4R-02□ — AR30M4R-22□ —	
Extended with full guard (24mm dia.)  AF95-16	1NO 1NC 1NO+1NC 2NO 2NC 2NO+2NC	AR30G1R-10□ AR30G6R-10□ AR30G1R-01□ AR30G6R-01□ AR30G1R-11□ AR30G6R-11□ AR30G1R-20□ AR30G6R-20□ AR30G1R-02□ AR30G6R-02□ AR30G1R-22□ AR30G8R-22□	

Note: ■ □ See page 04/74

Operator	Contact	Momentary action Type	Alternate action Type
Extended with half guard  AF95-9	1NO 1NC 1NO+1NC 2NO 2NC 2NO+2NC	AR30G0R-10□ AR30G5R-10□ AR30G0R-01□ AR30G5R-01□ AR30G0R-11□ AR30G5R-11□ AR30G0R-20□ AR30G5R-20□ AR30G0R-02□ AR30G5R-02□ AR30G0R-22□ AR30G5R-22□	
Pin lock  AF96-240	1NO 1NC 1NO+1NC 2NO 2NC 2NO+2NC	AR30GPR-10□ — AR30GPR-01□ — AR30GPR-11□ — AR30GPR-20□ — AR30GPR-02□ — AR30GPR-22□ —	
Mushroom head with full guard (40mm dia.)  AF95-17	1NO 1NC 1NO+1NC 2NO 2NC 2NO+2NC	AR30M3R-10□ AR30M8R-10□ AR30M3R-01□ AR30M8R-01□ AR30M3R-11□ AR30M8R-11□ AR30M3R-20□ AR30M8R-20□ AR30M3R-02□ AR30M8R-02□ AR30M3R-22□ AR30M8R-22□	
Mushroom head with full guard (35mm dia. metal nut)  AF96-239	1NO 1NC 1NO+1NC 2NO 2NC 2NO+2NC	AR30GSR-10□ — AR30GSR-01□ — AR30GSR-11□ — AR30GSR-20□ — AR30GSR-02□ — AR30GSR-22□ —	
Giant head  AF95-579	1NO 1NC 1NO+1NC 2NO 2NC 2NO+2NC	AR30B0R-10□ — AR30B0R-01□ — AR30B0R-11□ — AR30B0R-20□ — AR30B0R-02□ — AR30B0R-22□ —	
Giant head with guard  AF95-582	1NO 1NC 1NO+1NC 2NO 2NC 2NO+2NC	AR30B1R-10□ — AR30B1R-01□ — AR30B1R-11□ — AR30B1R-20□ — AR30B1R-02□ — AR30B1R-22□ —	
Giant head with full guard  AF95-580	1NO 1NC 1NO+1NC 2NO 2NC 2NO+2NC	AR30B2R-10□ — AR30B2R-01□ — AR30B2R-11□ — AR30B2R-20□ — AR30B2R-02□ — AR30B2R-22□ —	

Pushbuttons AR30

Operator	Contact	Momentary action Type	Alternate action Type
Giant head with full guard  AF95-581	1NO	AR30B3R-10 □ —	
	1NC	AR30B3R-01 □ —	
	1NO+1NC	AR30B3R-11 □ —	
	2NO	AR30B3R-20 □ —	
	2NC	AR30B3R-02 □ —	
	2NO+2NC	AR30B3R-22 □ —	
Push, turn-lock  AF95-583	1NO	AR30N0R-10 □ —	
	1NC	AR30N0R-01 □ —	
	1NO+1NC	AR30N0R-11 □ —	
	2NO	AR30N0R-20 □ —	
	2NC	AR30N0R-02 □ —	
	2NO+2NC	AR30N0R-22 □ —	

• Button color

Replace the □ mark by the button color code

Color	Green	Red	White	Blue	Yellow	Orange	Black
Code	G	R	W	S	Y	A	B



Note: AR30V5R type: Red, yellow, black only

• Contact arrangements

Contact arrangements other than above are available

Contact arrangement	1NO	1NC	1NO+1NC	2NO	2NC	3NO	3NC
Code	10	01	11	20	02	30	03

Contact arrangement	2NO+2NC	4NO	4NC	5NO	5NC	3NO+3NC	4NO+4NC
Code	22	40	04	50	05	33	44

Operator	Contact	Momentary action Type	Alternate action Type
Push-lock, turn-reset (40mm dia. with white arrow)  KKD08-051	1NO	—	AR30V5R-10 □
	1NC	—	AR30V5R-01 □
	1NO+1NC	—	AR30V5R-11 □
	2NO	—	AR30V5R-20 □
	2NC	—	AR30V5R-02 □
	2NO+2NC	—	AR30V5R-22 □
Pushbutton with emergency operating cap  AF96-187	1NO	AR30FVR-10 □	—
	1NC	AR30FVR-01 □	—
	1NO+1NC	AR30FVR-11 □	—
	2NO	AR30FVR-20 □	—
	2NC	AR30FVR-02 □	—
	2NO+2NC	AR30FVR-22 □	—




• Available numbers of contact blocks

Momentary action	Alternate action Push-lock, turn-reset
8-contact block	4-contact block

• Symbol mark (For AR30FAR, FBR, EAR, EBR)

Replace the ■ mark by the symbol mark code

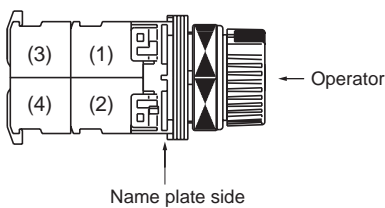
Symbol mark	○	I	⊕	○	I	⊕
Color of button	White Black	White Black	White Black	Clear		
Color of mark	Red	Green	Green	Black		
Code	01 02	03 04	11 12	02B 04B	12B	

Operator	Contact (The following contact is only available.)	Button color	Type	Contact operation					
				Contact block		Left 		Right 	
				Mounting position	Type	Free	Depressed	Free	Depressed
Pushbutton with selector ring (2-position)  AF97-506	2NO+2NC	Green Red Black White Yellow Orange Blue	AR30S1R-22G AR30S1R-22R AR30S1R-22B AR30S1R-22W AR30S1R-22Y AR30S1R-22A AR30S1R-22S	(1)	NC	—	—	●	—
				(2)	NC	—	—	●	—
				(3)	NO	—	●	—	●
				(4)	NO	—	●	—	●
	2NO	Green Red Black White Yellow Orange Blue	AR30S2R-20G AR30S2R-20R AR30S2R-20B AR30S2R-20W AR30S2R-20Y AR30S2R-20A AR30S2R-20S	(1)	NO	—	●	—	—
				(2)	NO	—	—	—	●
				(3)	NO	—	●	—	—
				(4)	NO	—	—	—	●
	2NO+2NC	Green Red Black White Yellow Orange Blue	AR30S2R-22G AR30S2R-22R AR30S2R-22B AR30S2R-22W AR30S2R-22Y AR30S2R-22A AR30S2R-22S	(1)	NC	●	—	██████████	
				(2)	NC	██████████		●	—
				(3)	NO	—	●	—	—
				(4)	NO	—	—	—	●
	2NO+2NC	Green Red Black White Yellow Orange Blue	AR30S3R-22G AR30S3R-22R AR30S3R-22B AR30S3R-22W AR30S3R-22Y AR30S3R-22A AR30S3R-22S	(1)	NC	—	—	██████████	
				(2)	NC	██████████		—	—
				(3)	NO	—	●	—	—
				(4)	NO	—	—	—	●
	2NO+2NC	Green Red Black White Yellow Orange Blue	AR30S6R-22G AR30S6R-22R AR30S6R-22B AR30S6R-22W AR30S6R-22Y AR30S6R-22A AR30S6R-22S	(1)	NC	●	—	—	Locked
				(2)	NC	●	—	—	
				(3)	NO	—	●	●	
				(4)	NO	—	●	●	

Note: (1) to (4): Contact block mounting position

● Contact closed
— Contact open

● Position of contact block







Emergency Stop Pushbuttons

AR30

■ Emergency stop pushbutton switches



⇒ (Direct opening action), conform to EN418

Operator	Contact	Type
Push-lock, turn-reset (Soft-touch 40mm dia. with white arrow)  <small>KKD08-051</small>	1NC 1NO+1NC 2NC 3NC 2NO+2NC 4NC	AR30V0R-01R AR30V0R-11R AR30V0R-02R AR30V0R-03R AR30V0R-22R AR30V0R-04R
Push-lock, turn-reset (40mm dia.)  <small>KKD06-353</small>	1NC 1NO+1NC 2NC 3NC 2NO+2NC 4NC	AR30V2R-01R AR30V2R-11R AR30V2R-02R AR30V2R-03R AR30V2R-22R AR30V2R-04R
Push-lock, turn-reset (Soft-touch 65mm dia. with white arrow)  <small>KKD06-352</small>	1NC 1NO+1NC 2NC 3NC 2NO+2NC 4NC	AR30V1R-01R AR30V1R-11R AR30V1R-02R AR30V1R-03R AR30V1R-22R AR30V1R-04R
Push-lock, pull-reset (35mm dia.)  <small>KKD06-347</small>	1NC 1NO+1NC 2NC	AR30Q2R-01R AR30Q2R-11R AR30Q2R-02R

- Notes:
- Button color: Red only
 - Contact arrangements indicated in the table can be supplied.

■ Emergency stop illuminated pushbutton switches

⇒ (Direct opening action), conform to EN418

Operator	Transformer	Contact	LED lamp Type	Incandescent lamp Type
Push-lock, turn-reset (Soft-touch 40mm dia. with white arrow)  KKD06-348	Without	1NC 1NO+1NC 2NC 3NC	AR30V0L-01■3R AR30V0L-11■3R AR30V0L-02■3R AR30V0L-03■3R	AR30V0L-01■4R AR30V0L-11■4R AR30V0L-02■4R AR30V0L-03■4R
	With	1NC 1NO+1NC 2NC	AR30V0L-01■3R AR30V0L-11■3R AR30V0L-02■3R	AR30V0L-01■4R AR30V0L-11■4R AR30V0L-02■4R
Push-lock, turn-reset (40mm dia.)  KKD06-350	Without	1NC 1NO+1NC 2NC 3NC	AR30V2L-01■3R AR30V2L-11■3R AR30V2L-02■3R AR30V2L-03■3R	AR30V2L-01■4R AR30V2L-11■4R AR30V2L-02■4R AR30V2L-03■4R
	With	1NC 1NO+1NC 2NC	AR30V2L-01■3R AR30V2L-11■3R AR30V2L-02■3R	AR30V2L-01■4R AR30V2L-11■4R AR30V2L-02■4R

Notes: • Button color: Red only
• Contact arrangements indicated in the table can be supplied.

● Voltage

Replace the ■ mark by the lamp voltage code



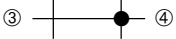




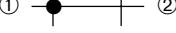
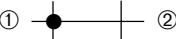
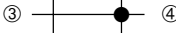


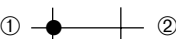
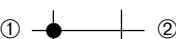
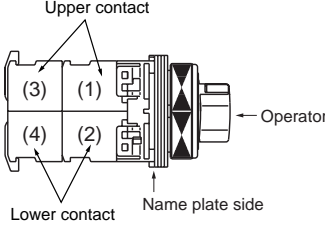
Transformer		Code	Incandescent
		LED	
Without	6V DC	6	—
	6V AC	A	—
	5V AC/DC	—	5
	12V AC/DC	B	—
	15V AC/DC	C	C
	20V AC/DC	—	D
	24V AC/DC	E	E

Transformer		Code	Incandescent
		LED	
With	100-110V AC	H	H
	115-127V AC	L	L
	200-220V AC	M	M
	230-254V AC	Q	Q
	350-380V AC	S	S
	400-440V AC	T	T
	480V AC	V	V
	500-550V AC	W	W

04

Selector Switches AR30

■ Selector switches 2-position

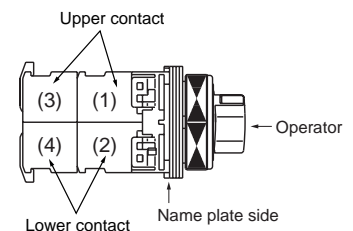
Operator	Operation	Knob color or key removable position	Contact	Type Switch with round bezel	Contact operation (Example)	
					Contact arrangement	Operator position Left Right 
 AF95-13	Maintained each 90°	Color code: B: Black (Standard) Color other than above are available (G: Green) (R: Red)	1NO 1NC 1NO+1NC 2NO 2NC 2NO+2NC	AR30PR-210B AR30PR-201B AR30PR-211B AR30PR-220B AR30PR-202B AR30PR-222B	1NO (1)	Upper contact 
	Spring return  60°		1NO 1NC 1NO+1NC 2NO 2NC 2NO+2NC	AR30PR-010B AR30PR-001B AR30PR-011B AR30PR-020B AR30PR-002B AR30PR-022B	1NC (1)	Upper contact 
 AF95-14	Maintained each 90°		1NO 1NC 1NO+1NC 2NO 2NC 2NO+2NC	AR30WR-210B AR30WR-201B AR30WR-211B AR30WR-220B AR30WR-202B AR30WR-222B	1NO+1NC (1)	Upper contact  Lower contact 
	Spring return  60°		1NO 1NC 1NO+1NC 2NO 2NC 2NO+2NC	AR30WR-010B AR30WR-001B AR30WR-011B AR30WR-020B AR30WR-002B AR30WR-022B	2NO+2NC (1)	Upper contact  (3) 
 KKD09-023	Maintained each 90°	■: Key removable position (): Key type See page 04/80	1NO 1NC 1NO+1NC 2NO 2NC 2NO+2NC	AR30J□R-2■10() AR30J□R-2■01() AR30J□R-2■11() AR30J□R-2■20() AR30J□R-2■02() AR30J□R-2■22()	(2)	Lower contact 
	Spring return  60°		1NO 1NC 1NO+1NC 2NO 2NC 2NO+2NC	AR30J□R-0A10() AR30J□R-0A01() AR30J□R-0A11() AR30J□R-0A20() AR30J□R-0A02() AR30J□R-0A22()	(4)	Lower contact 

Notes: • (1) to (4): Contact block mounting position
 • ① – ②, ③ – ④: Contact block terminal No.
 • Contact arrangements: See page 04/80



● Contact closed

• Operator

Replace the □ mark by the cylinder key type code
 Standard type: Blank
 Long durability type: A



3-position


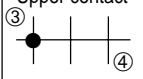


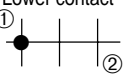
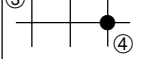

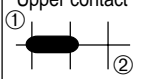
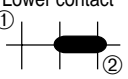
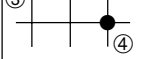

Operator	Operation	Knob color	Contact	Type Switch with round bezel	Contact operation (Example)						
					Contact arrange- ment	Operation position			Operation position		
						L	C	R	L	C	R
 <p>AF95-13</p>	Maintained each 45°	Color code: B: Black (Standard) Color other than above are available (G: Green) (R: Red)	1NO+1NC 2NO 2NC 2NO+2NC	AR30PR-311B AR30PR-320B AR30PR-302B AR30PR-322B	1NO+1NC (1) (2)	Upper contact ③	Lower contact ①	④	②		
	Spring/manual return ① each 45°		1NO+1NC 2NO 2NC 2NO+2NC			AR30PR-611B AR30PR-620B AR30PR-602B AR30PR-622B	Upper contact ③	Lower contact ①	④	②	
	Spring/manual return ① each 45°		1NO+1NC 2NO 2NC 2NO+2NC	AR30PR-711B AR30PR-720B AR30PR-702B AR30PR-722B	Upper contact ③		Lower contact ①	④	②		
	Spring return ① each 45°		2NO+2NC		AR30PR-122B	Upper contact ①	Lower contact ①	②	②		
						(1) (2)	③	④	③	④	
 <p>AF95-14</p>	Maintained each 45°		1NO+1NC 2NO 2NC 2NO+2NC	AR30WR-311B AR30WR-320B AR30WR-302B AR30WR-322B	1NO+1NC (1) (2)	Upper contact ③	Lower contact ①	④	②		
	Spring/manual return ① each 45°	1NO+1NC 2NO 2NC 2NO+2NC	AR30WR-611B AR30WR-620B AR30WR-602B AR30WR-622B			Upper contact ③	Lower contact ①	④	②		
	Spring/manual return ① each 45°	1NO+1NC 2NO 2NC 2NO+2NC		AR30WR-711B AR30WR-720B AR30WR-702B AR30WR-722B	Upper contact ③	Lower contact ①	④	②			
	Spring return ① each 45°	2NO+2NC	AR30WR-122B		Upper contact ①	Lower contact ①	②	②			
						(1) (2)	③	④	③	④	

Note: • Contact arrangements: See page 04/80

● Contact closed

04

Selector Switches AR30

Operator	Operation	Key removable position	Contact	Type Switch with round bezel	Contact operation (Example)	
					Contact arrangement	Operator position L C R ⊖ ⊕ ⊗
 KKD09-023	Maintained each 45°	■: Key removable position (): Key type	1NO+1NC 2NO 2NC 2NO+2NC	AR30J□R-3■11() AR30J□R-3■20() AR30J□R-3■02() AR30J□R-3■22()	1NO+1NC (1) (2)	Upper contact  Lower contact 
	Spring/manual return ⊕ each 45°		1NO+1NC 2NO 2NC 2NO+2NC	AR30J□R-6■11() AR30J□R-6■20() AR30J□R-6■02() AR30J□R-6■22()	1NO+1NC (1) (2)	Upper contact  Lower contact 
	Spring/manual return ⊕ each 45°		1NO+1NC 2NO 2NC 2NO+2NC	AR30J□R-7■11() AR30J□R-7■20() AR30J□R-7■02() AR30J□R-7■22()	1NO+1NC (1) (2)	Upper contact  Lower contact 
	Spring return ⊖ each 45°		2NO+2NC	AR30J□R-1E22()	2NO+2NC (1) (2) (3) (4)	Upper contact  Lower contact   

Notes: • Operator position L: Left, C: Center, R: Right
 • (1) to (4): Contact block mounting position
 • ① - ②, ③ - ④: Contact block terminal No.

● Contact closed

• Contact arrangements

Contact arrangements other than above are available








Contact arrangement	1NO	1NC	1NO+1NC	2NO	2NC	3NO	3NC
Code	10	01	11	20	02	30	03

Contact arrangement	2NO+2NC	4NO	4NC	5NO	5NC	3NO+3NC	4NO+4NC
Code	22	40	04	50	05	33	44

• Available numbers of contact blocks

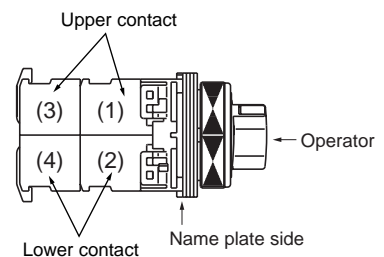
Maintained	Spring return Spring/manual return
8-contact block	4-contact block

• Key removable positions

Code	A	B	C	D	E	F	G
Removable position							
AR30J□R-2	●	●	-	●	-	-	-
AR30J□R-0	●	-	-	-	-	-	-
AR30J□R-3	●	●	●	●	●	●	●
AR30J□R-6	-	-	-	●	●	●	-
AR30J□R-7	●	-	-	-	●	-	●
AR30J□R-1	-	-	-	-	●	-	-

●: Available -: Not available

• Position of contact block






• Key code No.

Replace the () mark with one of the following key code.
 A, B, C, D, E and F
 Standard key code is A.








• Operator

Replace the □ mark by the cylinder key type code
 Standard type: Blank
 Long durability type: A

■ Selector switches (control type)
3-position

Operator	Operation	Knob color or key removable position	Contact arrangement	Type Switch with round bezel
Knob  <small>AF95-475</small>	Maintained each 45°	Color code: B: Black (Standard) Color other than above are available (G: Green) (R: Red)	Replace the ■ mark by the contact arrangement code (shown on next page).	AR30PCR-3■B
	Spring/manual return ⌚ each 45°			AR30PCR-6■B
	Spring/manual return ⌚ each 45°			AR30PCR-7■B
	Spring return ⌚ each 45°			AR30PCR-1■B
Lever  <small>KK02-140A</small>	Maintained each 45°		Replace the ■ mark by the contact arrangement code (shown on next page).	AR30WCR-3■B
	Spring/manual return ⌚ each 45°			AR30WCR-6■B
	Spring/manual return ⌚ each 45°			AR30WCR-7■B
	Spring return ⌚ each 45°			AR30WCR-1■B
Key  <small>KKD09-022</small>	Maintained each 45°	Replace the □ mark by the key removable position code: A, B, C, D, E F or G	Replace the ■ mark by the contact arrangement code (shown on next page).	AR30JCR-3□■()
	Spring/manual return ⌚ each 45°			AR30JCR-6□■()
	Spring/manual return ⌚ each 45°			AR30JCR-7□■()
	Spring return ⌚ each 45°			AR30JCR-1E■()

● Key removable positions

Code	A	B	C	D	E	F	G
Removable position							
AR30JCR-3	●	●	●	●	●	●	●
AR30JCR-6	-	-	-	●	●	●	-
AR30JCR-7	●	-	-	-	●	-	●
AR30JCR-1	-	-	-	-	●	-	-

●: Available -: Not available

● Key code No.

Replace the () mark with one of the following key code.
A, B, C, D, E and F
Standard key code is A.

Selector Switches AR30

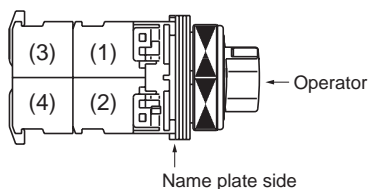
• Contact arrangement code (Typical example)

Contact arrangement	Contact arrangement code	Contact operation				
		Contact block		Operator position		
		Mounting position	Type	Left	Center	Right
2NC	01F	(1)	NC			
		(2)	NC			
		-	-	-	-	-
		-	-	-	-	-
2NO+2NC	014	(1)	NC			
		(2)	NC			
		(3)	NO			●
		(4)	NO	●		
4NC	01J	(1)	NC			
		(2)	NC			
		(3)	NC			
		(4)	NC			
2NO+2NC	024	(1)	NC			
		(2)	NC		●	
		(3)	NO			●
		(4)	NO	●		●
2NO+2NC	03C* (Maintained only)	(1)	NC			
		(2)	NC			●
		(3)	NO			●
		(4)	NO	●		
2NO+2NC	044*	(1)	NC			
		(2)	NC		●	
		(3)	NO			●
		(4)	NO	●		
2NO+2NC	054	(1)	NC			
		(2)	NC		●	
		(3)	NO			●
		(4)	NO			●

Notes: ●: Contact closed Blank: Contact open

* There may be some overlap in the contact when switching between notches.

• Position of contact block



Contact arrangement	Contact arrangement code	Contact operation				
		Contact block		Operator position		
		Mounting position	Type	Left	Center	Right
2NO+2NC	064	(1)	NC			
		(2)	NC		●	
		(3)	NO	●		
		(4)	NO	●		●
1NO+1NC	07F	(1)	NC			
		(2)	NO			●
		-	-	-	-	-
		-	-	-	-	-
2NO+2NC	07C* (Maintained only)	(1)	NC			
		(2)	NC			●
		(3)	NO	●		
		(4)	NO	●		
2NO+2NC	084	(1)	NC			
		(2)	NC		●	
		(3)	NO	●		
		(4)	NO	●		
2NO+2NC	094*	(1)	NC			
		(2)	NC		●	
		(3)	NO	●		
		(4)	NO			●
2NO+2NC	104	(1)	NC		●	
		(2)	NC		●	
		(3)	NO	●		●
		(4)	NO	●		●
2NO+2NC	11C* (Maintained only)	(1)	NC		●	
		(2)	NC			●
		(3)	NO	●		●
		(4)	NO	●		●

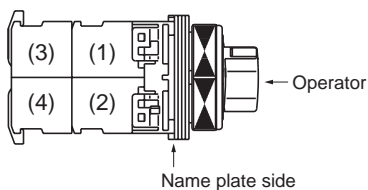
• Contact arrangement code (Typical example)

Contact arrangement	Contact arrangement code	Contact operation				
		Contact block		Operator position		
		Mounting position	Type	Left	Center	Right
2NO+2NC	124*	(1)	NC		●	
		(2)	NC		●	
		(3)	NO	●		●
		(4)	NO	●		
2NO+2NC	134*	(1)	NC		●	
		(2)	NC		●	
		(3)	NO	●		●
		(4)	NO			●
3NO+1NC	14D* (Maintained only)	(1)	NO	●		
		(2)	NC		●	
		(3)	NO	●		
		(4)	NO			●
3NO+1NC	15A*	(1)	NO			●
		(2)	NC		●	
		(3)	NO			●
		(4)	NO	●		
2NO+2NC	164	(1)	NC		●	
		(2)	NC		●	
		(3)	NO	●		
		(4)	NO	●		
2NO+2NC	174*	(1)	NC		●	
		(2)	NC		●	
		(3)	NO	●		
		(4)	NO			●
2NO+2NC	184	(1)	NC		●	
		(2)	NC		●	
		(3)	NO			●
		(4)	NO			●

Notes: ●: Contact closed Blank: Contact open

* There may be some overlap in the contact when switching between notches.

• Position of contact block





Contact arrangement	Contact arrangement code	Contact operation				
		Contact block		Operator position		
		Mounting position	Type	Left	Center	Right
2NO+2NC	194	(1)	NC		●	
		(2)	NC	●		
		(3)	NO	●		
		(4)	NO			●
4NO	20B	(1)	NO			●
		(2)	NO	●		
		(3)	NO			●
		(4)	NO	●		

04

Selector Switches AR30

4, 5-position

Operator	Contact (The following contact is only available.)	Operation	Knob color	Contact arrangement	Type Switch with round bezel
 AF95-475	2NO+2NC	4-position maintained	Color code: B: Black (Standard) Color other than above are available (G: Green) (R: Red)	Replace the ■ mark by the contact arrangement code (shown below)	AR30PCR-4■B
		5-position maintained			AR30PCR-5■B
 KK02-140A	2NO+2NC	4-position maintained			AR30WCR-4■B
		5-position maintained			AR30WCR-5■B

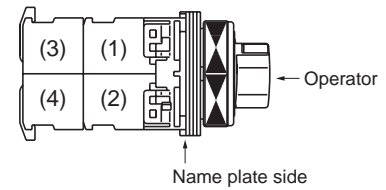
● Contact arrangement code

Position	Contact arrangement	Contact arrangement code	Contact operation		Operator position																				
			Contact block																						
			Mounting position	Type																					
4-position	2NO+2NC	41C* (Main-tained only)	(1)	NC	<table border="1"> <tr><td></td><td></td><td>●</td><td></td></tr> <tr><td>●</td><td></td><td></td><td></td></tr> <tr><td></td><td>●</td><td></td><td></td></tr> <tr><td></td><td></td><td></td><td>●</td></tr> </table>			●		●					●						●				
					●																				
			●																						
				●																					
			●																						
(2)	NC																								
(3)	NO																								
(4)	NO																								
5-position	2NO+2NC	51C* (Main-tained only)	(1)	NC	<table border="1"> <tr><td></td><td></td><td></td><td>●</td><td></td></tr> <tr><td></td><td>●</td><td></td><td></td><td></td></tr> <tr><td>●</td><td></td><td></td><td></td><td></td></tr> <tr><td></td><td></td><td></td><td></td><td>●</td></tr> </table>				●			●				●									●
						●																			
				●																					
			●																						
				●																					
(2)	NC																								
(3)	NO																								
(4)	NO																								

Notes: ●: Contact closed

* There may be some overlap in the contact when switching between notches.

● Position of contact block




Operator position



5-position



■ Lever type selector switches
2-position

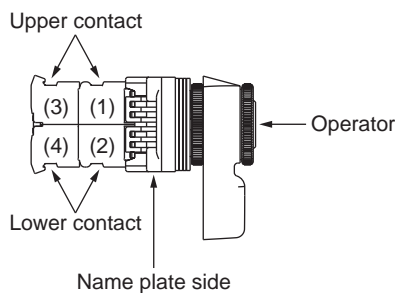
Operator	Operation	Contact	Type	Contact operation		
				Contact arrangement	Operator position	
					Left	Right
 <p>KKD05-115</p>	Maintained each 90°	1NO	AR30HR-210	1NO (1)	Upper contact ③ ——— ● ——— ④	
		1NC	AR30HR-201	1NC (1)	Upper contact ① — ● ——— — ②	
		1NO+1NC	AR30HR-211	1NO (1)	Upper contact ③ ——— ● ——— ④	
				1NC (2)	Lower contact ① — ● ——— — ②	
		2NO	AR30HR-220	1NO (1)	Upper contact ③ ——— ● ——— ④	
				1NO (2)	Lower contact ③ ——— ● ——— ④	
		2NC	AR30HR-202	1NC (1)	Upper contact ① — ● ——— — ②	
1NC (2)	Lower contact ① — ● ——— — ②					
2NO+2NC	AR30HR-222	1NO (1)	Upper contact ③ ——— ● ——— ④			
		1NO (3)	③ ——— ● ——— ④			
		1NC (2)	Lower contact ① — ● ——— — ②			
		1NC (4)	① — ● ——— — ②			

04

Notes: • Contact arrangements in the table can be supplied.



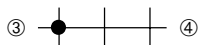
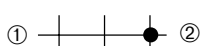

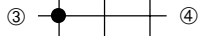
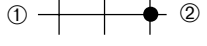
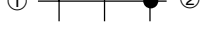


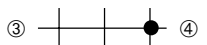
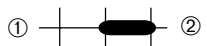

● Contact closed

● Position of contact block



Illuminated Selector Switches AR30

3-position

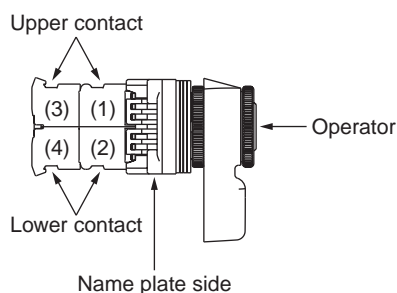
Operator	Operation	Contact	Type	Contact operation			
				Contact arrangement	Operator position		
					Left	Center	Right
							
 KKD05-114	Maintained each 45°	1NO+1NC	AR30HR-311	1NO (1) 1NC (2)	Upper contact  Lower contact 		
		2NO+2NC	AR30HR-322	1NO (1) 1NO (3) 1NC (2) 1NC (4)	Upper contact   Lower contact  		
	Spring return  each 60°	2NO+2NC	AR30HR-122	1NC (1) 1NO (3) 1NC (2) 1NO (4)	Upper contact   Lower contact  		

Notes: • Contact arrangements in the table can be supplied.



● Contact closed

• Contact arrangements. The NO contacts at (1) and (2) use special parts. Do not interchange these parts.

• Position of contact block





■ Illuminated selector switches
2-position

Operator	Operation	Contact	LED lamp		Incandescent lamp	
			Transformer	Type	Transformer	Type
 AF95-5	Maintained	1NO 1NC 1NO+1NC 2NO+2NC	Without	AR30PL-210■3□ AR30PL-201■3□ AR30PL-211■3□ AR30PL-222■3□	Without	AR30PL-210■4□ AR30PL-201■4□ AR30PL-211■4□ AR30PL-222■4□
			With	AR30PL-210■3□ AR30PL-201■3□ AR30PL-211■3□ AR30PL-220■3□	With	AR30PL-210■4□ AR30PL-201■4□ AR30PL-211■4□ AR30PL-220■4□
	Spring return  60°	1NO 1NC 1NO+1NC 2NO	Without	AR30PL-010■3□ AR30PL-001■3□ AR30PL-011■3□ AR30PL-020■3□	Without	AR30PL-010■4□ AR30PL-001■4□ AR30PL-011■4□ AR30PL-020■4□
			With	AR30PL-010■3□ AR30PL-001■3□ AR30PL-011■3□ AR30PL-020■3□	With	AR30PL-010■4□ AR30PL-001■4□ AR30PL-011■4□ AR30PL-020■4□

04

3-position

Operator	Operation	Contact	LED lamp		Incandescent lamp	
			Transformer	Type	Transformer	Type
 AF95-5	Maintained	1NO+1NC 2NO+2NC	Without	AR30PL-311■3□ AR30PL-322■3□	Without	AR30PL-311■4□ AR30PL-322■4□
			With	AR30PL-311■3□	With	AR30PL-311■4□
	Spring/manual return each 45° 	1NO+1NC 1NO+1NC	Without	AR30PL-611■3□ AR30PL-611■3□	Without	AR30PL-611■4□ AR30PL-611■4□
			With	AR30PL-611■3□ AR30PL-611■3□	With	AR30PL-611■4□ AR30PL-611■4□

Note: □, ■ See page 04/88

Illuminated Selector Switches AR30

- Replace the ■ mark by the following lamp voltage code

Transformer	Voltage	Code	
		LED	Incandescent
Without	5V AC/DC	—	5
	6V DC	6	—
	6V AC	A	—
	12V AC/DC	B	—
	15V AC/DC	C	C
	20V AC/DC	—	D
	24V AC/DC	E	E
With	100-110V AC	H	H
	115-127V AC	L	L
	200-220V AC	M	M
	230-254V AC	Q	Q
	350-380V AC	S	S
	400-440V AC	T	T
	480V AC	V	V
	500-550V AC	W	W

- **Contact arrangement and operator position**
2-position

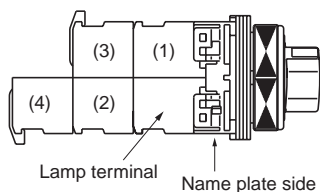
Transformer	Contact arrangement	Contact block		Operator position	
		Mounting position	Type	Left	Right
With/without	1NO	(1)	NO	—	●
With/without	1NC	(1)	NC	●	—
Without	1NO+1NC	(1)	NO	—	●
		(2)	NC	●	—
With	1NO+1NC	(1)	NC	●	—
		(2)	NO	—	●
With/without	2NO	(1)	NO	—	●
		(2)	NO	—	●
Without	2NO+2NC *1	(1)	NO	—	●
		(2)	NC	●	—
		(3)	NO	—	●
		(4)	NC	●	—
With	2NO+2NC *1	(1)	NC	●	—
		(2)	NC	●	—
		(3)	NO	—	●
		(4)	NO	—	●

Notes: *1: AR30PL-2

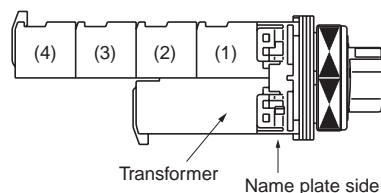
●: Contact closed, —: Contact open

- **Position of contact block**

Without transformer



With transformer



- Replace the □ mark by the following knob color code

Color	Green	Red	White	Blue	Yellow	Orange
Code	G	R	W	S	Y	A

- Up to 4-contact of contact arrangement can be made.
Available numbers of contacts are as follow.

No. of position	Operation	Without transformer	With transformer
2-position	Maintained	6-contact	4-contact
	Spring return	3-contact	2-contact
3-position	Maintained	6-contact	4-contact
	Spring/manual return	3-contact	2-contact

- 3-position








Transformer	Contact arrangement	Contact block		Operator position		
		Mounting position	Type	Left	Center	Right
Without	1NO+1NC *1	(1)	NO	●	—	—
		(2)	NC	—	—	●
	1NO+1NC *2	(1)	NO	—	—	●
		(2)	NC	●	—	—
	2NO+2NC *3	(1)	NO	●	—	—
		(2)	NC	—	—	●
		(3)	NO	●	—	—
		(4)	NC	—	—	●
With	1NO+1NC *1	(1)	NC	—	—	●
		(2)	NO	●	—	—
	1NO+1NC *2	(1)	NC	●	—	—
		(2)	NO	—	—	●
	2NO+2NC *3	(1)	NC	—	—	●
		(2)	NC	—	—	●
		(3)	NO	●	—	—
		(4)	NO	●	—	—

Notes: *1: AR30PL-3, 6 *3: AR30PL-3

*2: AR30PL-7

●: Contact closed, —: Contact open




■ Pilot lights/standard

Lens	Transformer	LED lamp Lamp voltage	Type	Incandescent lamp Lamp voltage	Type
Dome  AF95-18	Without	6V AC 6V DC 12V AC/DC 24V AC/DC	DR30D0L-A3□ DR30D0L-63□ DR30D0L-B3□ DR30D0L-E3□	5.5V AC/DC — 15V AC/DC 24V AC/DC	DR30D0L-54□ — DR30D0L-C4□ DR30D0L-E4□
	With	100–110V AC 200–220V AC	DR30D0L-H3□ DR30D0L-M3□	100–110V AC 200–220V AC	DR30D0L-H4□ DR30D0L-M4□
Dome  AF97-674	With resistor	50V DC 110V DC 220V DC	DR30D0L-FR□ DR30D0L-HR□ DR30D0L-MR□	50V DC — —	DR30D0L-FQ□ — —
	With resistor	— —	— —	110V DC 220V DC	DR30D0L-HQ□ DR30D0L-MQ□
Extended round  AF95-20	Without	6V AC 6V DC 12V AC/DC 24V AC/DC	DR30E3L-A3□ DR30E3L-63□ DR30E3L-B3□ DR30E3L-E3□	5.5V AC/DC — 15V AC/DC 24V AC/DC	DR30E3L-54□ — DR30E3L-C4□ DR30E3L-E4□
	With	100–110V AC 200–220V AC	DR30E3L-H3□ DR30E3L-M3□	100–110V AC 200–220V AC	DR30E3L-H4□ DR30E3L-M4□
Faceted  AF95-19	Without	6V AC 6V DC 12V AC/DC 24V AC/DC	DR30K0L-A3□ DR30K0L-63□ DR30K0L-B3□ DR30K0L-E3□	5.5V AC/DC — 15V AC/DC 24V AC/DC	DR30K0L-54□ — DR30K0L-C4□ DR30K0L-E4□
	With	100–110V AC 200–220V AC	DR30K0L-H3□ DR30K0L-M3□	100–110V AC 200–220V AC	DR30K0L-H4□ DR30K0L-M4□
Faceted  AF97-673	With resistor	50V DC 110V DC 220V DC	DR30K0L-FR□ DR30K0L-HR□ DR30K0L-MR□	50V DC — —	DR30K0L-FQ□ — —
	With resistor	— —	— —	110V DC 220V DC	DR30K0L-HQ□ DR30K0L-MQ□
Faceted  AF97-671	With resistor	— —	— —	110V DC 220V DC	DR30K0L-HQ□ DR30K0L-MQ□
	With resistor	— —	— —	110V DC 220V DC	DR30K0L-HQ□ DR30K0L-MQ□
Dome with dimmer control  KK02-144A	Without	6V AC 6V DC 12V AC/DC 15V AC/DC 24V AC/DC	DR30D1L-A3□ DR30D1L-63□ DR30D1L-B3□ DR30D1L-C3□ DR30D1L-E3□	5.5V AC/DC — — 15V AC/DC 24V AC/DC	DR30D1L-54□ — — DR30D1L-C4□ DR30D1L-E4□
	With	100V–110V AC 200V–220V AC	DR30D1L-H3□ DR30D1L-M3□	100V–110V AC 200V–220V AC	DR30D1L-H4□ DR30D1L-M4□

Note: □ See page 04/90

Pilot Lights DR30

■ Pilot lights/short-body with transformer

Lens	LED lamp		Incandescent lamp	
	Lamp voltage	Type	Lamp voltage	Type
Dome  <small>KK02-141A</small>	100–110V AC 200–220V AC	DR30D0L-H9 □ DR30D0L-M9 □	100–110V AC 200–220V AC	DR30D0L-H8 □ DR30D0L-M8 □
Extended round  <small>KK02-142A</small>	100–110V AC 200–220V AC	DR30E3L-H9 □ DR30E3L-M9 □	100–110V AC 200–220V AC	DR30E3L-H8 □ DR30E3L-M8 □
Faceted  <small>KK02-143A</small>	100–110V AC 200–220V AC	DR30K0L-H9 □ DR30K0L-M9 □	100–110V AC 200–220V AC	DR30K0L-H8 □ DR30K0L-M8 □

● Lens color

Replace the □ mark by the following lens color code

Color	Green	Red	White	Blue	Yellow	Orange
Code	G	R	W	S	Y	A

● Lamp voltage

Available lamp voltage are as follow.

Description	Voltage	Code Standard type		Code Short-body type	
		LED	Incandescent	LED	Incandescent
Without transformer	5.5V AC/DC	–	54	–	–
	6V AC	A3	–	–	–
	6V DC	63	–	–	–
	12V AC/DC	B3	–	–	–
	15V AC/DC	C3	C4	–	–
	20V AC/DC	–	D4	–	–
	24V AC/DC	E3	E4	–	–
With transformer	100-110V AC	H3	H4	H9	H8
	115-127V AC	L3	L4	L9	L8
	200-220V AC	M3	M4	M9	M8
	230-254V AC	Q3	Q4	–	–
	350-380V AC	S3	S4	–	–
	400-440V AC	T3	T4	–	–
	480V AC	V3	V4	–	–
	500-550V AC	W3	W4	–	–
With resistor unit	110V DC	H7	–	–	–
With resistor	50V DC	FR	FQ	–	–
	110V DC	HR	HQ	–	–
	220V DC	MR	MQ	–	–

■ Pilot lights/standard

Lens	Transformer	LED unit		Incandescent lamp	
		Lamp voltage	Type	Lamp voltage	Type
Flush square (34mm sq. transparent lens) 	Without	6V DC 15V AC/DC 24V AC/DC	DR30F4M-65□ DR30F4M-C5□ DR30F4M-E5□	5.5V AC/DC 15V AC/DC 24V AC/DC	DR30F4M-54□ DR30F4M-C4□ DR30F4M-E4□
	With	100–110V AC 200–220V AC	DR30F4M-H5□ DR30F4M-M5□	100–110V AC 200–220V AC	DR30F4M-H4□ DR30F4M-M4□
Flush rectangular (Transparent lens) 	Without	6V DC 15V AC/DC 24V AC/DC	DR30F4N-65□ DR30F4N-C5□ DR30F4N-E5□	5.5V AC/DC 15V AC/DC 24V AC/DC	DR30F4N-54□ DR30F4N-C4□ DR30F4N-E4□
	With	100–110V AC 200–220V AC	DR30F4N-H5□ DR30F4N-M5□	100–110V AC 200–220V AC	DR30F4N-H4□ DR30F4N-M4□
Flush square (40mm sq. transparent lens) 	Without	6V DC 15V AC/DC 24V AC/DC	DR30M4M-65□ DR30M4M-C5□ DR30M4M-E5□	5.5V AC/DC 15V AC/DC 24V AC/DC	DR30M4M-54□ DR30M4M-C4□ DR30M4M-E4□
	With	100–110V AC 200–220V AC	DR30M4M-H5□ DR30M4M-M5□	100–110V AC 200–220V AC	DR30M4M-H4□ DR30M4M-M4□

● Color plate

Replace the □ mark by the following color plate color code

Color	Green	Red	White	Blue*	Yellow	Orange
Code	G	R	W	S	Y	A

Note: * Incandescent lamp only




● Lamp voltage

Available lamp voltage are as follow.

Description	Voltage	Code	
		Standard type	
		LED	Incandescent
Without transformer	5.5V AC/DC	–	54
	6V AC	A5	–
	6V DC	65	–
	12V AC	25	–
	12V AC/DC	B5	–
	15V AC/DC	C5	C4
	20V AC/DC	–	D4
	24V AC/DC	E5	E4
With transformer	100-110V AC	H5	H4
	115-127V AC	L5	L4
	200-220V AC	M5	M4
	230-254V AC	Q5	Q4
	350-380V AC	S5	S4
	400-440V AC	T5	T4
	480V AC	V5	V4
	500-550V AC	W5	W4
With resistor unit	110V DC	HE	–

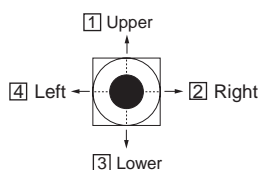
Joy Stick Selector Switches AR30

■ Joy stick selector switches

Handle	Terminal	Operating directions	Contact arrangement	Type	
				Manual return	Spring return
 AF97-48	Screw	↑ ↓	1NO X 2	AR30A0N-A0A0B	AR30A5N-A0A0B
			1NO + 1NC X 2	AR30A0N-1010B	AR30A5N-1010B
		↔	1NO X 4	AR30A0N-AAAAB	AR30A5N-AAAAB
			1NO + 1NC X 4	AR30A0N-1111B	AR30A5N-1111B
	Solder/tab	↑ ↓	1NO + 1NC X 2	AR30A0H-1010B	AR30A5H-1010B
			2NO + 2NC X 2	AR30A0H-2020B	AR30A5H-2020B
Solder/tab	↔	1NO + 1NC X 4	AR30A0H-1111B	AR30A5H-1111B	
		2NO + 2NC X 4	AR30A0H-2222B	AR30A5H-2222B	
 AF97-44	Screw	↑ ↓	1NO X 2	AR30A1N-A0A0B	AR30A6N-A0A0B
			1NO + 1NC X 2	AR30A1N-1010B	AR30A6N-1010B
		↔	1NO X 4	AR30A1N-AAAAB	AR30A6N-AAAAB
			1NO + 1NC X 4	AR30A1N-1111B	AR30A6N-1111B
	Solder/tab	↑ ↓	1NO + 1NC X 2	AR30A1H-1010B	AR30A6H-1010B
			2NO + 2NC X 2	AR30A1H-2020B	AR30A6H-2020B
Solder/tab	↔	1NO + 1NC X 4	AR30A1H-1111B	AR30A6H-1111B	
		2NO + 2NC X 4	AR30A1H-2222B	AR30A6H-2222B	
 AF97-57	Screw	↑ ↓	1NO X 2	AR30A2N-A0A0B	AR30A7N-A0A0B
			1NO + 1NC X 2	AR30A2N-1010B	AR30A7N-1010B
		↔	1NO X 4	AR30A2N-AAAAB	AR30A7N-AAAAB
			1NO + 1NC X 4	AR30A2N-1111B	AR30A7N-1111B
	Solder/tab	↑ ↓	1NO + 1NC X 2	AR30A2H-1010B	AR30A7H-1010B
			2NO + 2NC X 2	AR30A2H-2020B	AR30A7H-2020B
Solder/tab	↔	1NO + 1NC X 4	AR30A2H-1111B	AR30A7H-1111B	
		2NO + 2NC X 4	AR30A2H-2222B	AR30A7H-2222B	

● Operating direction

- Directions other than those shown in the table above can be provided.
- For types AR30A□N-**1** **2** **3** **4** B, designate the contact arrangement codes for the necessary operating directions (**1**: Upper, **2**: Right, **3**: Lower, **4**: Left). Designate "0" for unnecessary directions.







● Contact arrangement

Contact arrangement		–	1NO	1NC	1NO+1NC	2NO	2NC	2NO+2NC
Manual return Spring return	Screw	0	A	B	1	D	E	–
	Solder/Tab	0	–	–	1	–	–	2

- Spring/manual return are also available, contact FUJI .

■ Buzzers

Sound	Description	Transformer	Operating voltage	Type
 KKD08-058	<ul style="list-style-type: none"> • LED operation indicator (Red) • Intermittent/continuous sound selection • Sound level: 90dB (0.1m) 70dB (1m) 	Without	6V AC 6V DC 12 to 24V AC/DC 35 to 48V AC/DC	DR30B5-AB DR30B5-6B DR30B5-EB DR30B5-FB
		With	100 to 110V AC 200 to 220V AC	DR30B5-HB DR30B5-MB
		With resistor unit	100 to 110V DC	DR30B5-1B
 KK02-145A	<ul style="list-style-type: none"> • Sound level: 90dB (0.1m) 70dB (1m) 	Without	6V DC 24V AC 24V DC	DR30B6-6B DR30B6-GB DR30B6-EB
		With	100 to 110V AC 200 to 220V AC	DR30B6-HB DR30B6-MB
 AF96-378	<ul style="list-style-type: none"> • Sound level: 90dB (0.1m) 70dB (1m) 	Without	100 to 110V AC 200 to 220V AC	DR30B0-HB DR30B0-MB
 AF96-245	<ul style="list-style-type: none"> • Intermittent/continuous sound selection • Sound level: 80dB (0.1m) 60dB (1m) 	Without	6V AC 6V DC 12 to 24V AC/DC 35 to 48V AC/DC	DR30B8-AB DR30B8-6B DR30B8-EB DR30B8-FB
		With	100 to 110V AC 200 to 220V AC	DR30B8-HB DR30B8-MB
		With resistor unit	100 to 110V DC	DR30B8-1B

Notes: • Intermittent/continuous sound selection (DR30B5, B8)
See the "Short-circuit terminal" in the dimensions diagram on the 04/104 page, and select as follows:
• Short-circuit terminal mounted → Intermittent sound
• Short-circuit terminal not mounted → Continuous sound

04

Pushbuttons/Selectors/Pilot Lights/Buzzers

AR30 and DR30

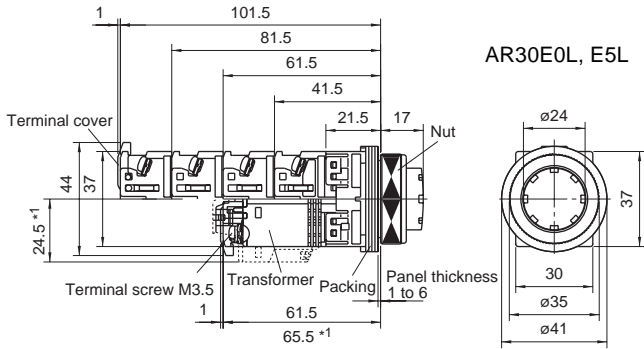
Dimensions

■ Dimensions, mm

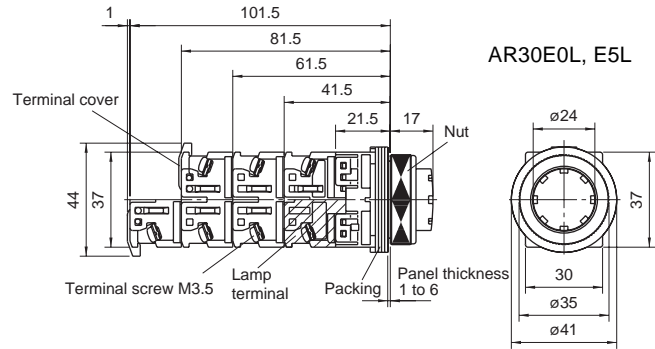
● Illuminated pushbuttons

Extended

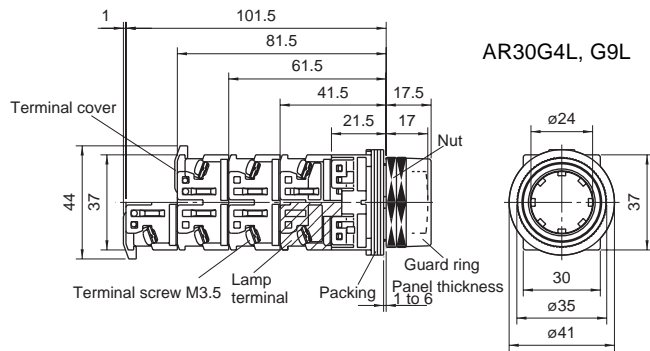
With transformer



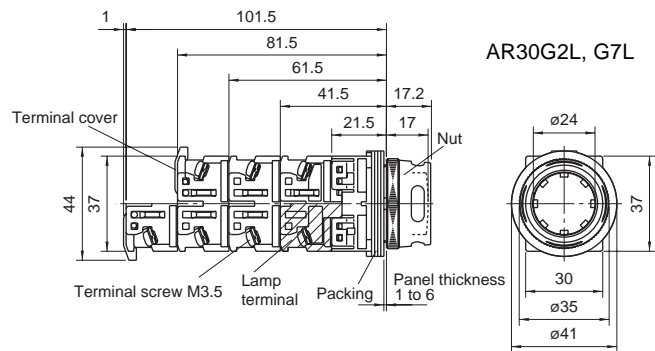
Without transformer



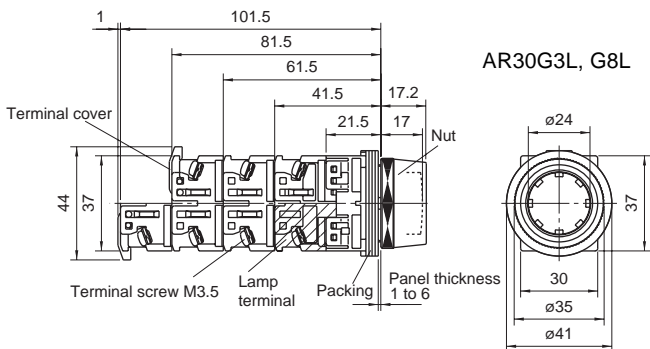
Extended with transparent full guard (24mm dia.)



Extended with full guard (24mm dia. with openings)



Extended with full guard (24mm dia.)



Note: *1 Except for the types 110V AC, 127V AC and 220V AC.

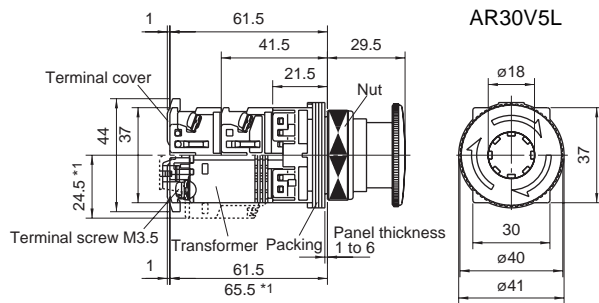
Pushbuttons/Selectors/Pilot Lights/Buzzers AR30 and DR30 Dimensions

■ Dimensions, mm

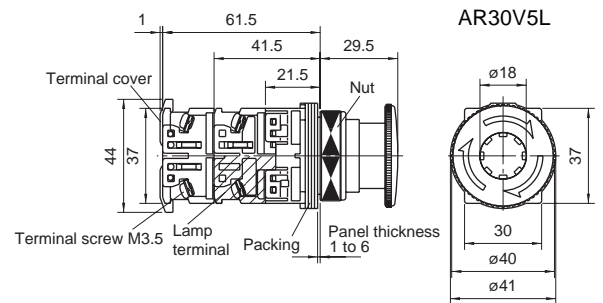
● Illuminated pushbuttons

Push-lock, turn-reset (40mm dia. with white arrow)

With transformer

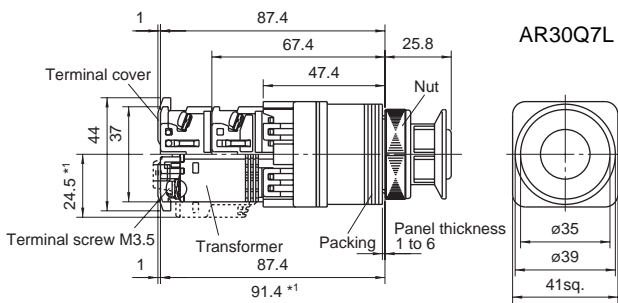


Without transformer

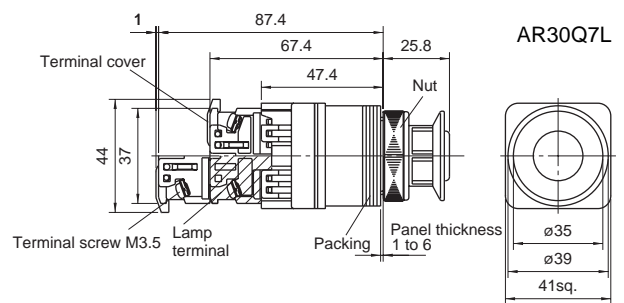


Push-pull

With transformer



Without transformer



Note: *1 Except for the types 110V AC, 127V AC and 220V AC.

Pushbuttons/Selectors/Pilot Lights/Buzzers

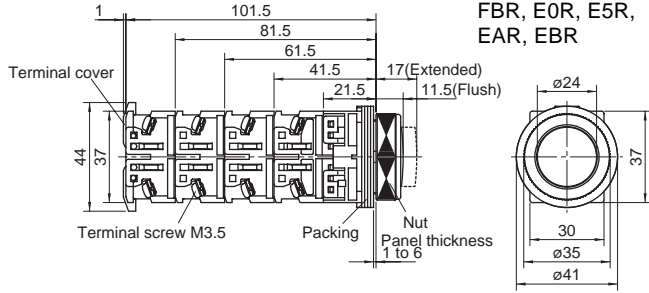
AR30 and DR30

Dimensions

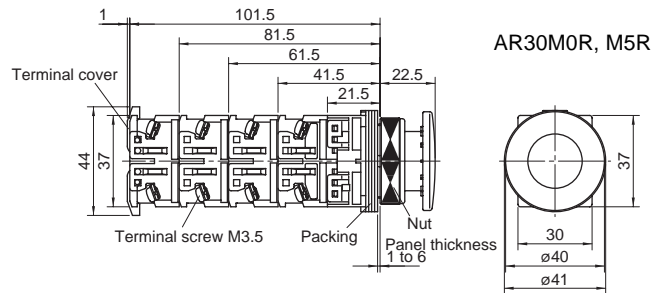
■ Dimensions, mm

● Pushbuttons

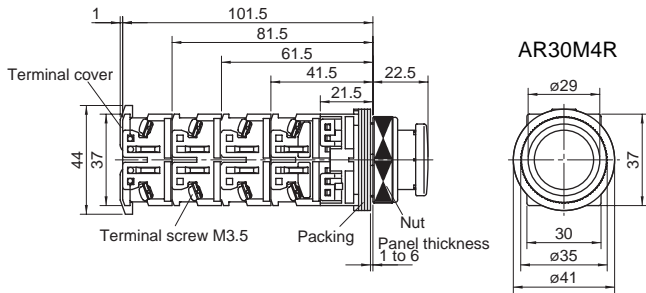
Flush/Extended



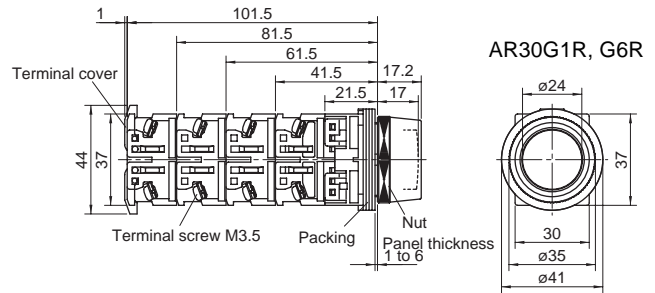
Mushroom (40mm dia.)



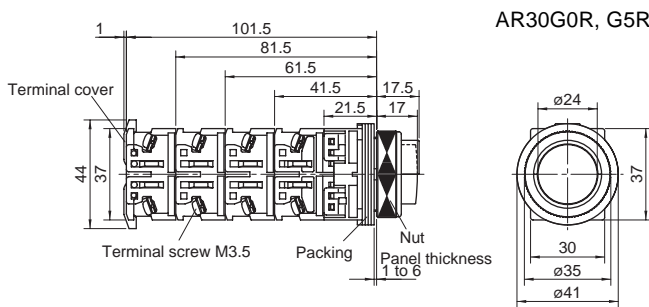
Mushroom (29mm dia.)



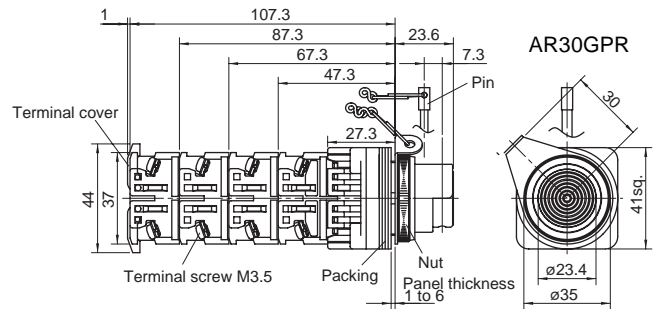
Extended with full guard (24mm dia.)



Extended with half guard

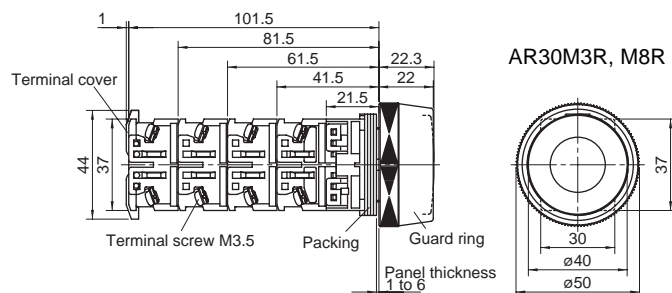


Pin lock

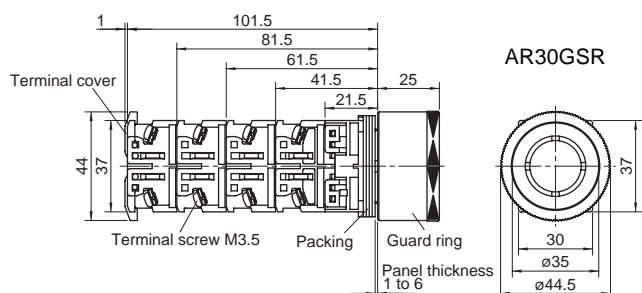


Note:
The enclosed pin can be inserted to lock the pushbutton in a pushed or not pushed state.

Mushroom with full guard (40mm dia.)



Mushroom with full guard (35mm dia. metal nut)

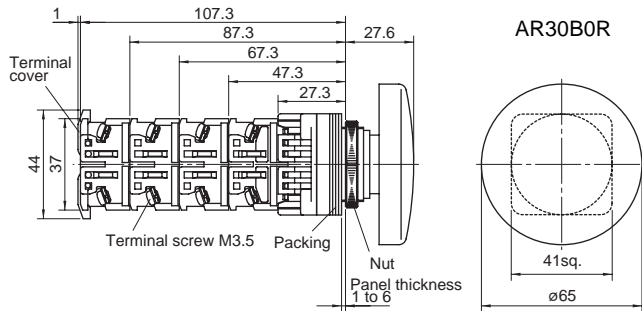


Pushbuttons/Selectors/Pilot Lights/Buzzers AR30 and DR30 Dimensions

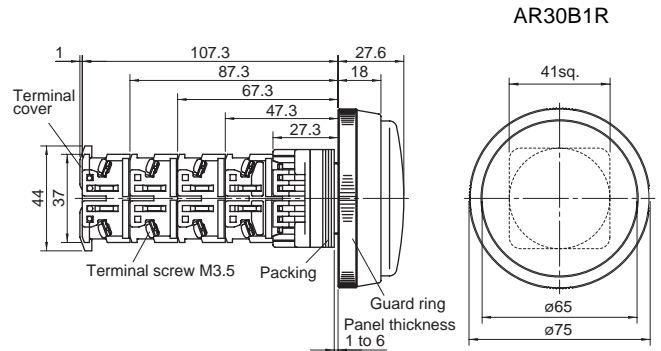
■ Dimensions, mm

● Pushbuttons

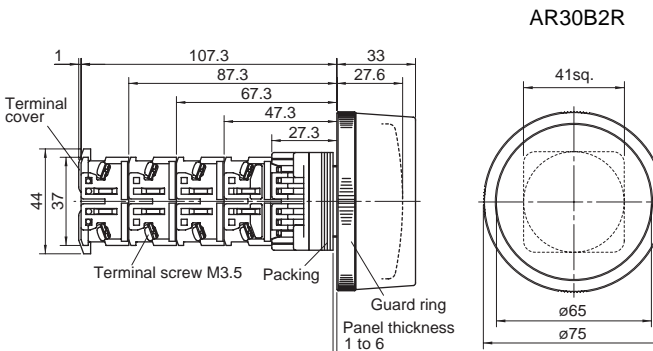
Giant



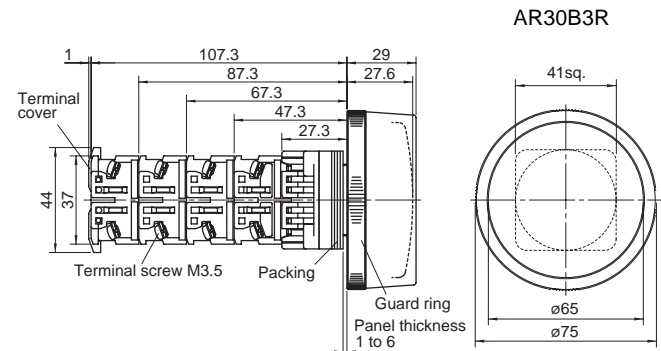
Giant with guard



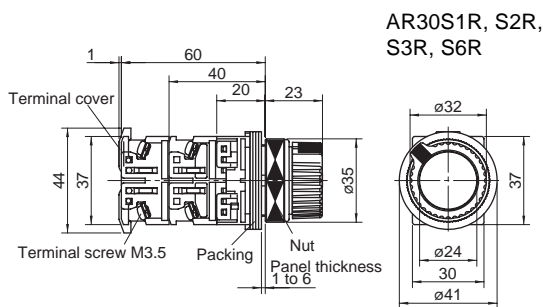
Giant with full guard



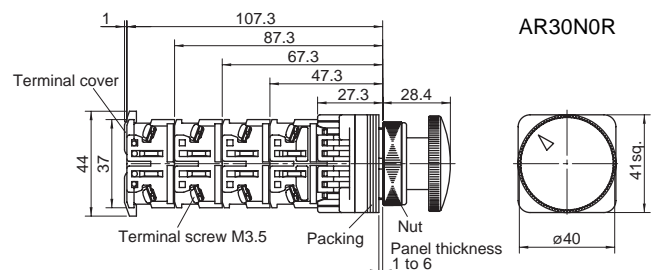
Giant with full guard



Pushbutton with selector ring (2-position)

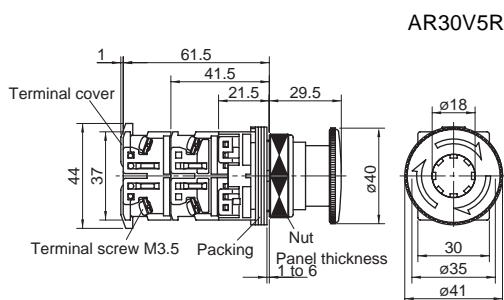


Push, turn-lock

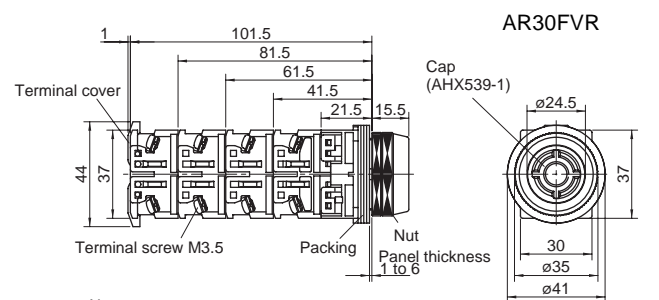


Note:
When the push button is pressed in the left position, it resets automatically (momentary operation).
When pressed and turned to the right it locks, and to the left it resets.

Push-lock, turn-reset (40mm dia. with white arrow)



Emergency operating cap



Note:
This is pushbutton switch is operated while holding the cap with the fingertips.
The cap (AHX539) can be exchanged.

Pushbuttons/Selectors/Pilot Lights/Buzzers

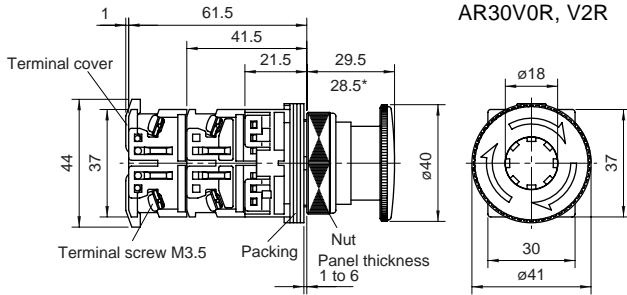
AR30 and DR30

Dimensions

■ Dimensions, mm

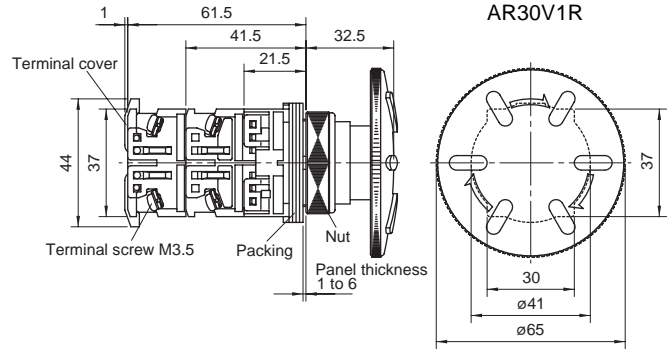
● Emergency stop pushbuttons

Push-lock, turn-reset (40mm dia.)

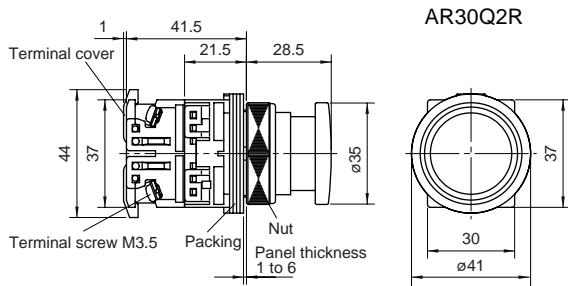


Note: * AR30V2R type

Push-lock, turn-reset (65mm dia. with white allow)



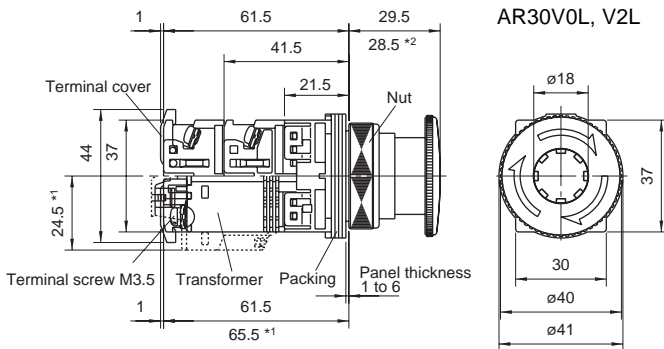
Push-lock, pull-reset (35mm dia.)



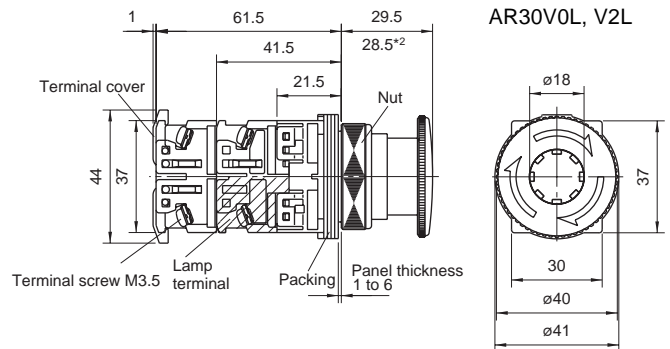
● Emergency stop illuminated pushbuttons

Push-lock, turn-reset (40mm dia.)

With transformer



Without transformer



Notes: *1 Except for the types 110V AC, 127V AC and 220V AC.

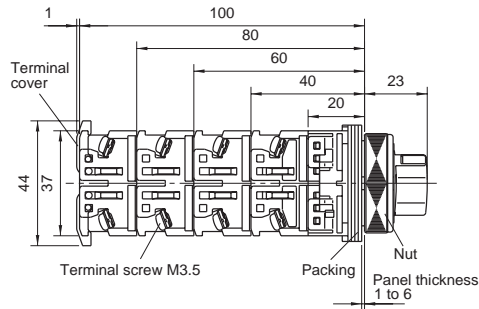
*2 AR30V2L type

Pushbuttons/Selectors/Pilot Lights/Buzzers AR30 and DR30 Dimensions

■ Dimensions, mm

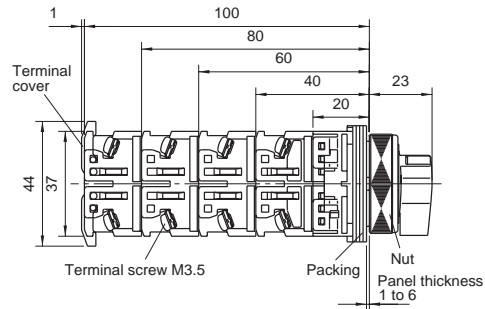
● Selector switches

Knob

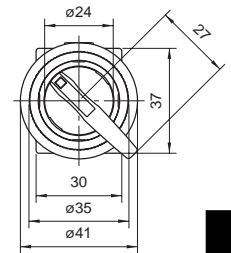


AR30PR, PCR

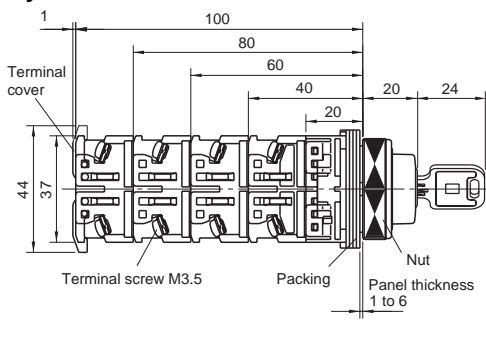
Lever



AR30WR, WCR

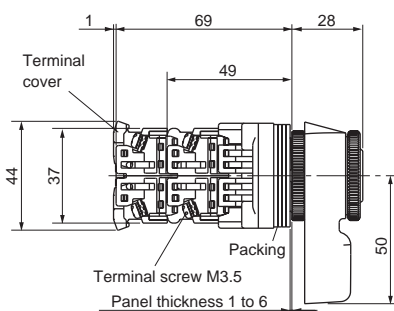


Key



AR30JR, JCR, JAR

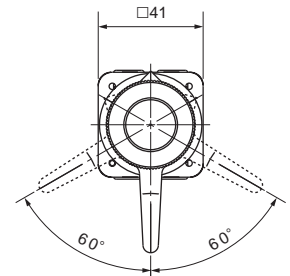
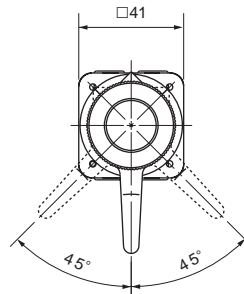
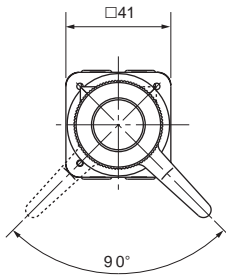
● Lever type selector switches



AR30HR-2

AR30HR-3

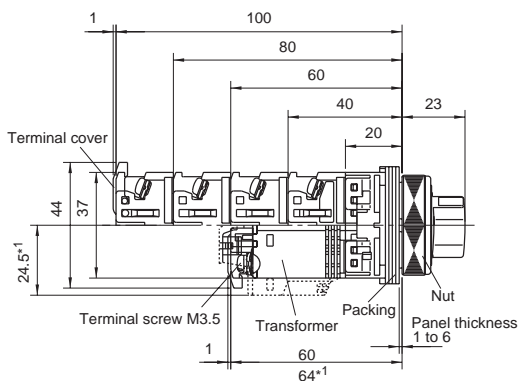
AR30HR-1



● Illuminated selector switches

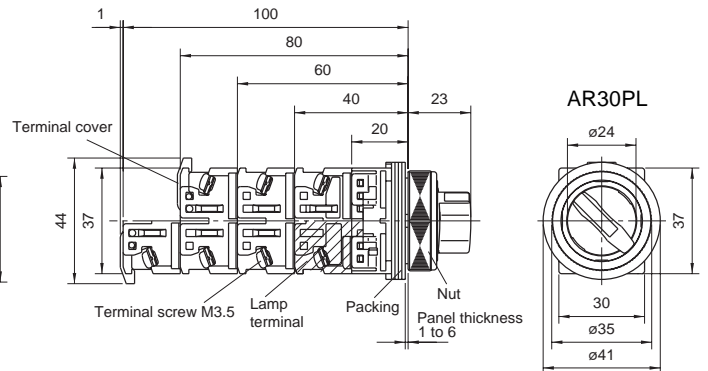
Knob

With transformer



AR30PL

Without transformer



AR30PL

Notes: *1 Except for the types 110V AC, 127V AC and 220V AC.

Pushbuttons/Selectors/Pilot Lights/Buzzers

AR30 and DR30

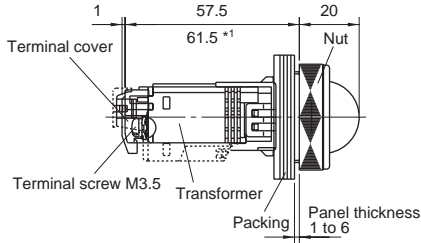
Dimensions

■ Dimensions, mm

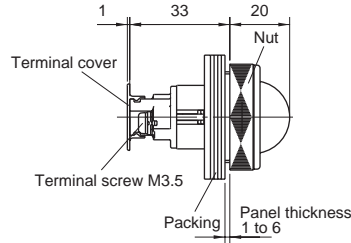
● Pilot lights

Dome

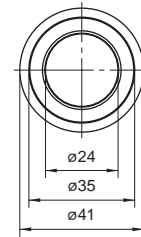
With transformer, with resistor unit



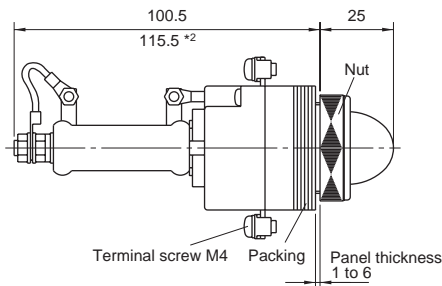
Without transformer



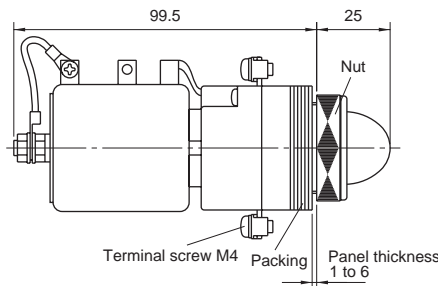
DR30D0L



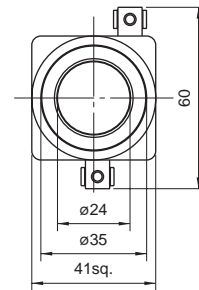
With resistor LED, incandescent (50V DC)



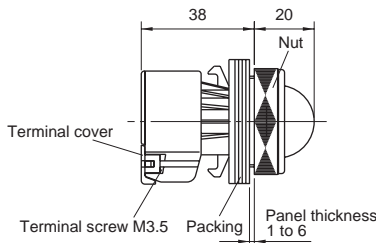
With resistor Incandescent (110, 220V DC)



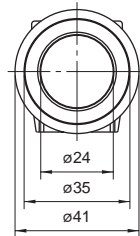
DR30D0L



Short-body / with transformer

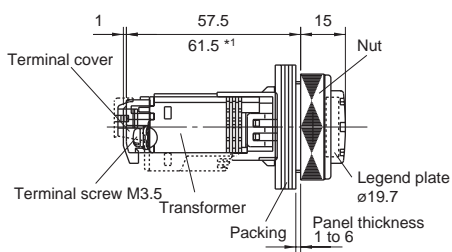


DR30D0L

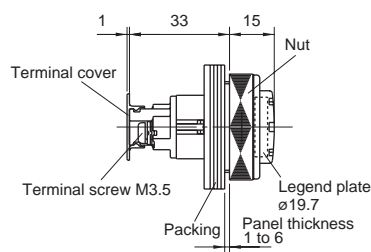


Extended

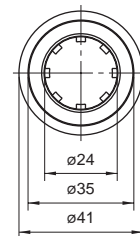
With transformer, with resistor unit



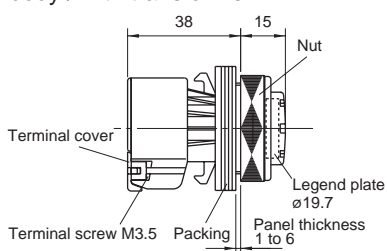
Without transformer



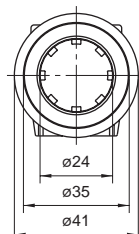
DR30E3L



Short-body / with transformer



DR30E3L



Notes: *1 Except for the types 110V AC, 127V AC and 220V AC.
*2 Incandescent (50V DC) type only

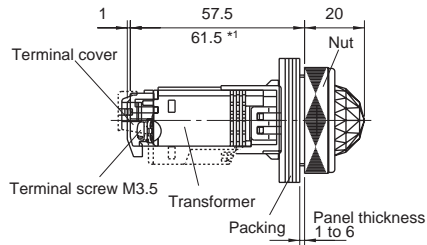
Pushbuttons/Selectors/Pilot Lights/Buzzers AR30 and DR30 Dimensions

■ Dimensions, mm

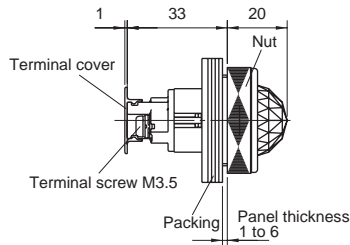
● Pilot lights

Faceted

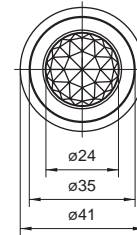
With transformer, with resistor unit



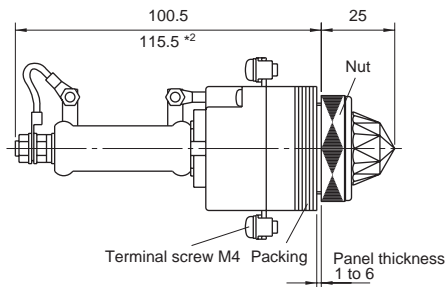
Without transformer



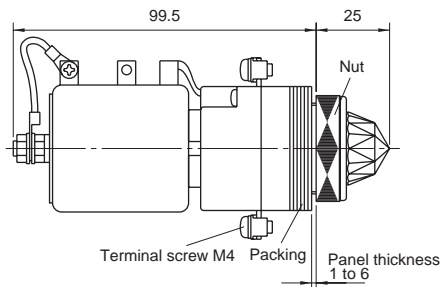
DR30K0L



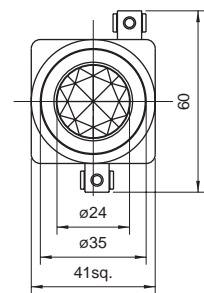
With resistor LED, incandescent (50V DC)



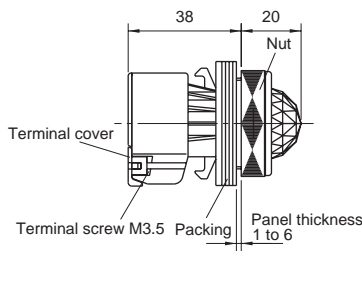
With resistor LED, incandescent (110, 220V DC)



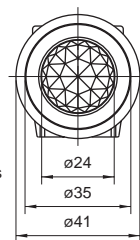
DR30K0L



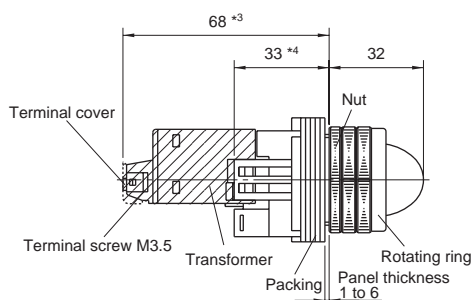
Short-body / with transformer



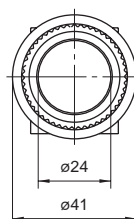
DR30K0L



Dome with dimmer control



DR30D1L



- Notes: *1 Except for the types 110V AC, 127V AC and 220V AC.
*2 Incandescent (50V DC) type only
*3 With transformer, with resistor unit type only
*4 For without transformer types, add 1 mm when mounting the terminal cover.

Pushbuttons/Selectors/Pilot Lights/Buzzers

AR30 and DR30

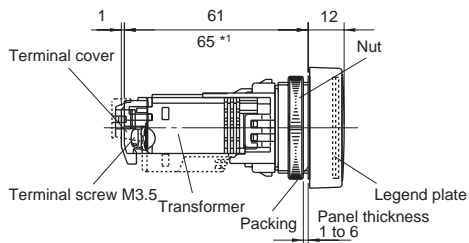
Dimensions

■ Dimensions, mm

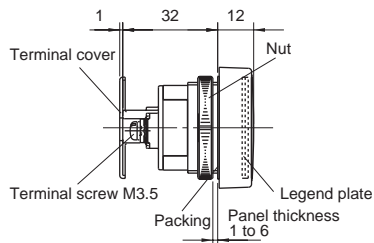
● Pilot lights

Flush square (34mm sq. transparent lens)

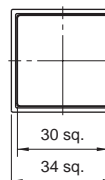
With transformer, with resistor unit



Without transformer

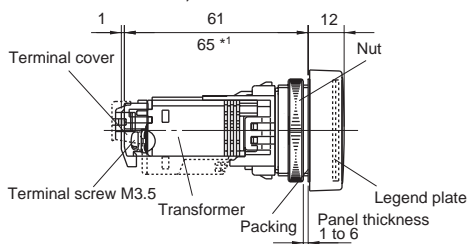


DR30F4M

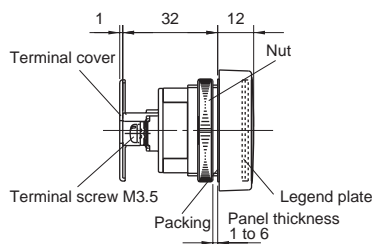


Flush rectangular (Transparent lens)

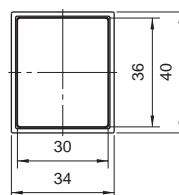
With transformer, with resistor unit



Without transformer

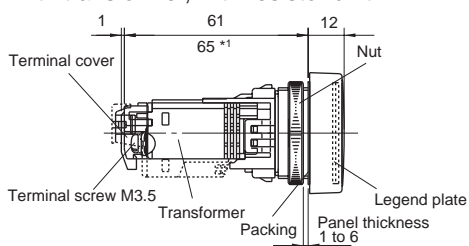


DR30F4N

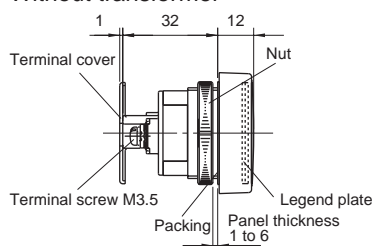


Flush square (40mm sq. transparent lens)

With transformer, with resistor unit



Without transformer



DR30M4M



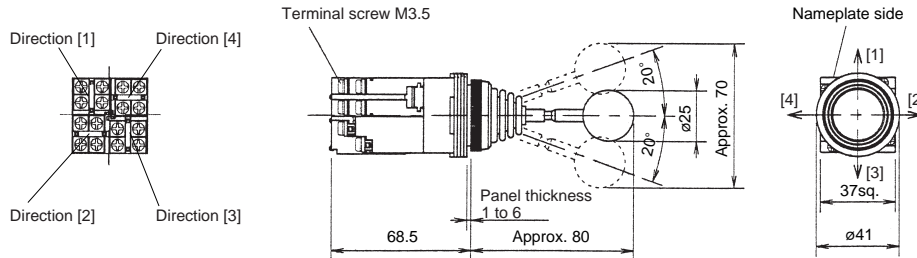
Note: *1 Except for the types 110V AC, 127V AC and 220V AC.

■ **Dimensions, mm**

● **Joy stick selector switches**

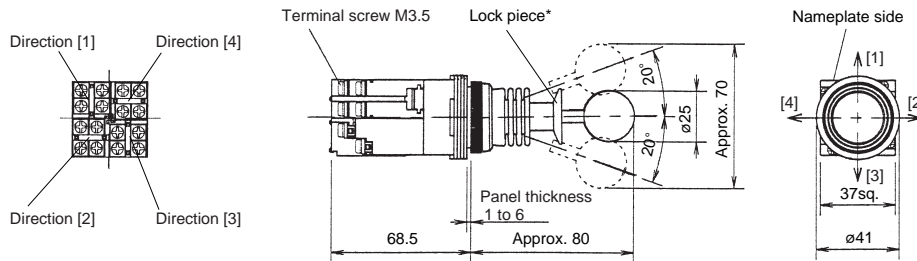
Ball type (without lock)

AR30A0N, A5N: Screw terminal



Ball type with lock

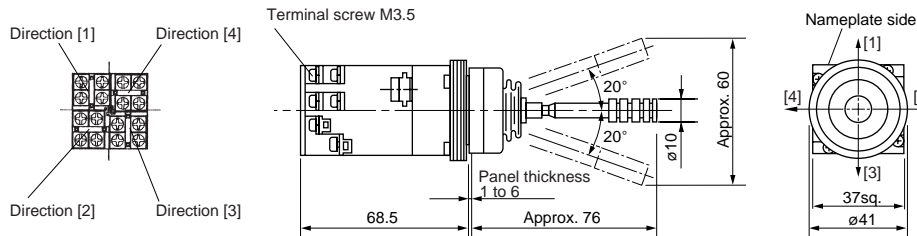
AR30A1N, A6N: Screw terminal



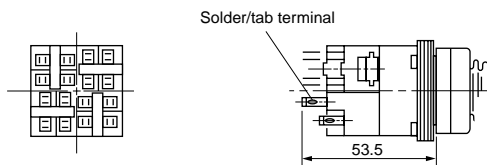
Notes * The contact arrangement is operable in the designated direction by pulling the lock piece in the central position with the fingers. The lock piece will return automatically and locks when the lock piece is released in the central position. The lock piece locks in the central position only.

Rubber cap type (without lock)

AR30A2N, A7N: Screw terminal



Solder/tab terminal: AR30□H



Pushbuttons/Selectors/Pilot Lights/Buzzers

AR30 and DR30

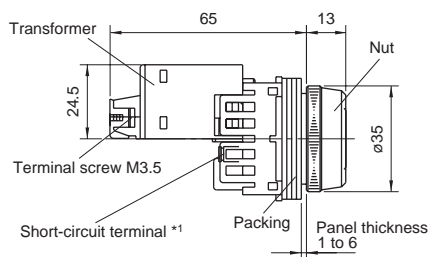
Dimensions

■ Dimensions, mm

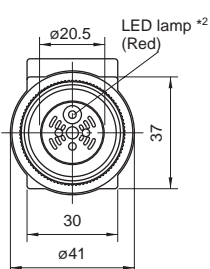
● Buzzers

Electronic sound

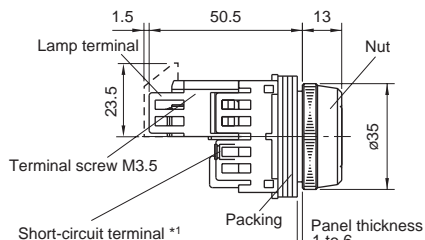
With transformer



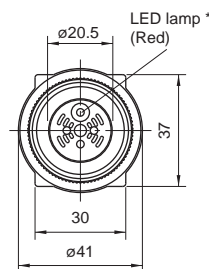
DR30B5, B6



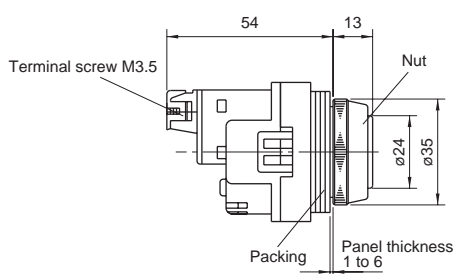
Without transformer



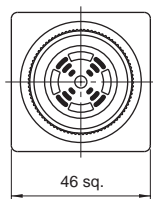
DR30B5, B6



Magnetic sound

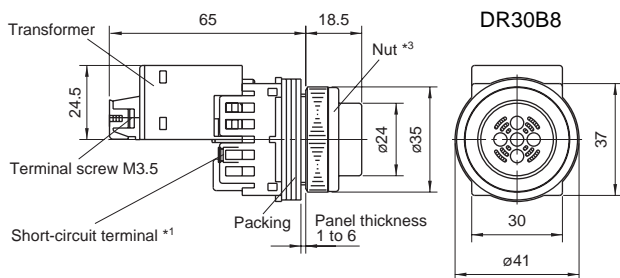


DR30B0

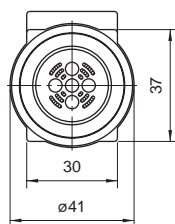


Electronic sound (IP54)

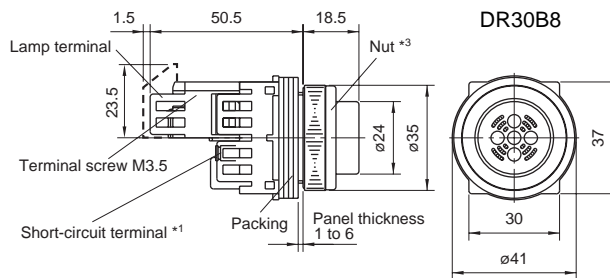
With transformer



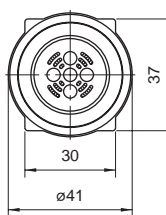
DR30B8



Without transformer



DR30B8



Notes: *1 There are no short-circuit terminals with DR30B6. (Continuous sound only)

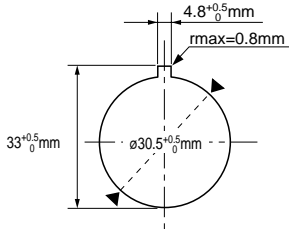
*2 There are no LED lamps with DR30B6.

*3 The nut and cap are united with DR30B8.

Notes on use

■ **Panel cutout hole**

Fig. 1 Panel cutout hole dimensions, mm



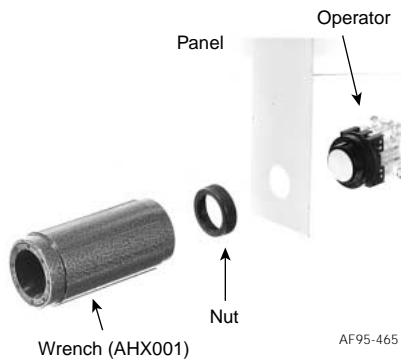
Note : If key-washer or legend plate are not used, 4.8mm-wide, location holes shown in Fig. 1 need not be cutout.

■ **Mounting operator to panel**

1. Pushbutton with a round bezel (ordinary mounting)

Insert the operator into the cutout hole from the back of the panel, and tighten the nut with the AHX001 wrench from the front of the panel to secure the operator as shown in Fig.2.

Fig. 2 Pushbutton with a round bezel

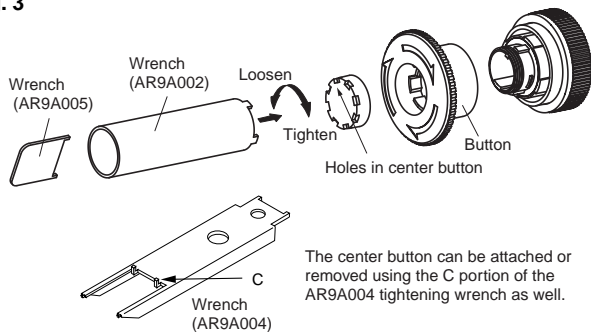


Note : Recommended tightening torque is from 1.5 to 2N·m.

2. AR30V0R, V0L, V2R, V2L, V5R, V5L

- (1) The button is removed after loosening the center button by inserting the end of the AR9A002 tightening wrench or the AR9A005 wrench (enclosed with pushbutton) into the holes in the center button and turning counterclockwise, as shown in Fig.3.
- (2) Attach the operator in the same manner as described in step 1.

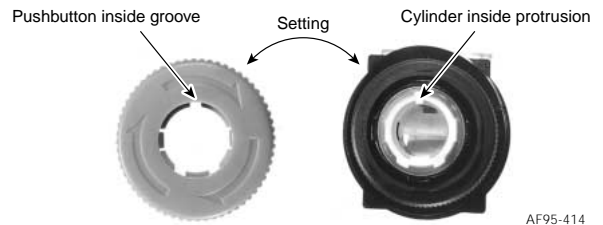
Fig. 3



The center button can be attached or removed using the C portion of the AR9A004 tightening wrench as well.

Insert the operator into the cutout hole from the back of the panel, and as shown in Fig.4, insert the pushbutton into the operator cylinder while aligning the grooves inside the pushbutton with the protrusions on the operator.

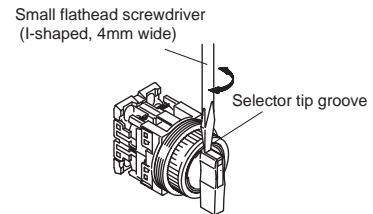
Fig. 4 Setting pushbutton to operator cylinder



3. AR30WR, WCR

- (1) As shown in the following figure, insert the tip of a flathead screwdriver into the selector tip groove. Rotate the screwdriver in the direction indicated by the arrow until the selector tip rises, and draw out the knob.
- (2) Attach the operator in the same manner as described in step 1.
- (3) Insert the knob, with the selector tip in the floated state, into the original position of the rotation tube, and push the selector tip into place.

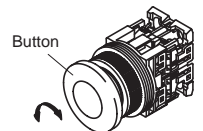
Fig. 5



4. AR30M0R, M4R, M5R, B0R, Q7L

- (1) Loosen the button by hand.
- (2) Attach the operator in the same manner as described in step 1.
- (3) Screw in the button by hand, making sure that the button is screwed in all the way. (Recommended tightening torque: 0.3 to 0.5 N·m)

Fig. 6

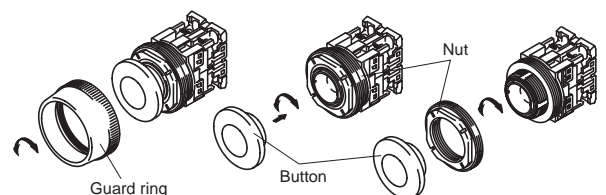


5. AR30M3R, M8R, B1R, B2R and B3R

The outer circumference of the nut is threaded, so be careful not to cut your hand on it.

- (1) Loosen and remove the guard ring by hand.
- (2) Loosen and remove the button and nut by hand.
- (3) Insert the operator into the cutout hole from the back of the panel, and tighten the nut to secure it in place. (Recommended tightening torque: 0.3 to 0.5 N·m)
- (4) Screw in the button by hand, making sure that it is screwed in all the way. (Recommended tightening torque: 0.3 to 0.5 N·m)
- (5) Loosen and remove the guard ring by hand. (Recommended tightening torque: 1.5 to 2.5 N·m)

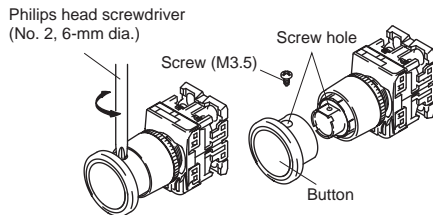
Fig. 7



6. AR30N0R, V1R, Q2R

- (1) Loosen and remove the screw on the side of the button, taking care not to loosen the screw.
- (2) Attach the operator in the same manner as described in step 1.
- (3) Attach and secure the button in place with the screw, making sure that the head of the screw does not protrude from the side.
- (4) Recommended tightening torque: N0R, V1R 0.5 to 1.0N•m
Q2R 0.3 to 0.5N•m

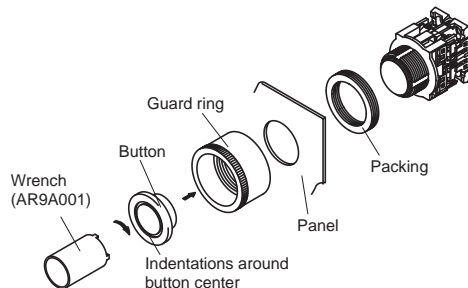
Fig. 8



7. AR30GSR

- (1) Insert the tips of the AR9A001 wrench into the indentations around the button center, and turn the wrench to loosen and remove the button.
- (2) Loosen and remove the guard ring by hand.
- (3) Insert the switch operator into the cutout hole from the back of the panel, and secure it with the guard ring from the front of the panel. (Recommended tightening torque: 1.5 to 2.5 N•m)
- (4) Attach and secure the button with the AR9A001 wrench. (Recommended tightening torque: 0.3 to 0.5 N•m)

Fig. 9

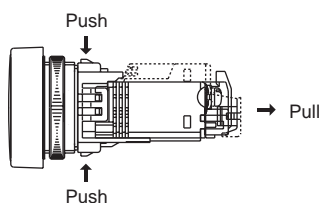


8. DR30F4M, F4N, M4M

Insert the pilot lights from the front of the panel and fix it with the AHX536 tightening wrench from the back of the panel.

- (1) Recommended tightening torque: 1 to 1.5N•m
- (2) For pilot lights with transformers and resistance units, remove the transformer or resistance unit in advance. (Fig.10)

Fig. 10

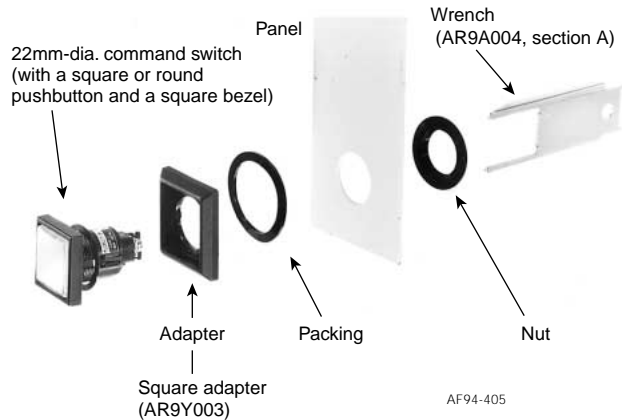


9. Mounting a 22mm-dia. command switch with a square button and a square bezel, or with a round button and a square bezel, to a panel cutout hole for a 30mm-dia. command switch using an adapter

As shown in Fig. 11, mount an adapter and packing onto a 22mm-dia. command switch (AR22, DR22 series) with a square button and a square bezel or one with a round button and a square bezel. Then, insert the switch operator into the panel cutout hole from the front of the panel. Use AR9A004 wrench section A to tighten the locking nut from behind the panel to secure the switch.

Use the adapter accessory nut for this purpose. Do not use the command switch accessory nut.

Fig. 11 Command switch with a square button and a square bezel, and command switch with a round button and a square bezel



Note : • Recommended tightening torque is from 1 to 1.5N•m.
• Panel thickness: 2.5 to 5mm

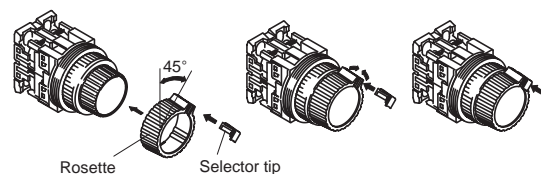
This adapter can be used with the following 22mm-dia. Command switches :

- AR22F0M, F5M, E0M, E5M, F0P, F5P, E0P, E5P, M4P
- AR22F0S, F5S, E0S, E5S, F0Y, F5Y, E0Y, E5Y, M4Y
- AR22PY, PCY, WY, WCY, RY, RCY, JY, JCY, PP
- DR22F3M, F4M, F5M, E3M, E3P

10. AR30S1R, S2R, S3R, S6R

- (1) Attach the operator in the same manner as described in step 1.
- (2) Attach the rosette assembly to the operator.
- (3) Pressing the rosette from the directions indicated by the arrows, insert the selector tip in the groove.
- (4) Make sure that the selector tip is inserted completely.
- (5) To remove the rosette, use a small flathead screwdriver to remove the selector tip as described in step 3, and then remove the rosette.

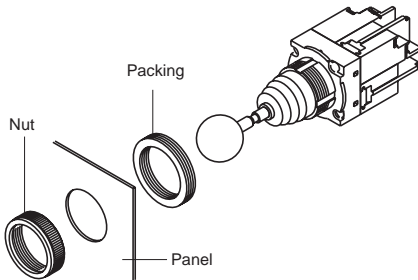
Fig. 12



11. AR30A (joy stick selector)

- (1) Remove the clamp ring as shown in the following figure.
 - (2) Attach the operator in the same manner as described in step 1.
- Note: Even if a lock type is used, remove the clamp ring in the same manner.

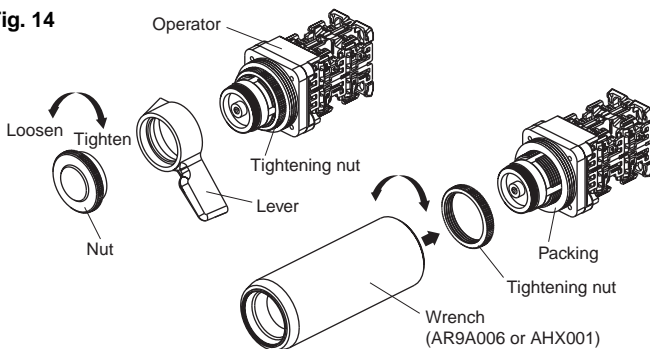
Fig. 13



12. AR30HR

- (1) The lever is removed after loosening the nut by hand.
- (2) Loosen and remove the tightening nut by hand.
- (3) Insert the operator into the cutout hole from the back of the panel, and tighten the tightening nut with the AHX001 wrench or AR9A006 wrench from the front of panel to secure the operator as shown in Fig. 14. (Recommended tightening torque : 1.5 to 2.5N • m)
- (4) Attach the lever assembly to the operator.
- (5) Screw in the nut by hand, making sure that it is screwed in all the way.

Fig. 14



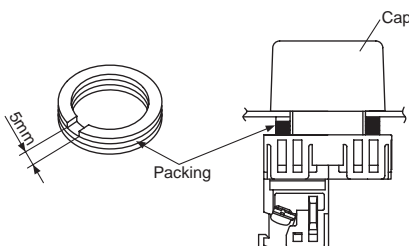
Water-proof and dust-proof cap

Applicable type: Water-proof cap AHX052
 Dust-proof cap AHX032, 033, 034, 113, 157

When attached to the panel in combination with a water-proof or dust-proof cap, the water-proof cap or dust-proof cap may sink downward and prevent the depressed button from returning to its original position.

As shown in the following figure, cut an approximately 5-mm air outlet in the portion of the ring packing touching the panel surface. Also, reduce the number of packing rings by one below the standard number. The clamp ring tightening torque is 1.5 to 2.5 N•m.

Fig. 15



Degree of protection

The water-proof cap or dust-proof cap seals the panel surface to provide IP65 protection.

Applicable panel thickness

The AR30/DR30 series switches are mountable to panels with the thickness given in the table below.

Switch mounting condition	Applicable panel thickness
Without accessories	1 to 6mm
With accessories AR9Y003 adapter	2.5 to 5mm

Using accessory ring-packings

Use the required number of ring-packings (1.6mm-thick, 4 pieces, resin mold).

Table below is a guideline for using the packings.

If a locking nut or legend plate is used, the thickness must be counted as an additional panel thickness.

Panel thickness vs. number of packings (reference data)

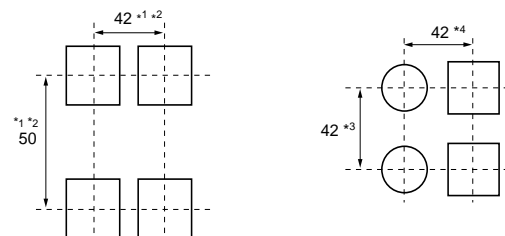
Effective panel thickness including lock-ring and legend plate thicknesses	Number of packings
1.0mm to less than 2.0mm	4
2.0mm to less than 3.6mm	3
3.6mm to less than 5.0mm	2
5.0mm to less than 6.0mm	1

Minimum mounting space, mm

The minimum mounting spaces required for AR30/DR30 command switches are given below. (Fig. 16)

Fig. 16

- Illuminated pushbutton and pushbutton
- Emergency stop illuminated pushbutton and emergency stop pushbutton
- Illuminated and non-illuminated selectors
- Pilot light



Notes: *1 AR30M3R, M8R, GSR: 55mm
 *2 AR30B□R, GPR, V1R: 80mm

Type	*3	*4
F4M	34	34
F4N (Vertical lengthwise mounting)	40	34
(Horizontal lengthwise mounting)	34	40
M4M	40	40
Pilot lights short-body with transformer	50	42
Pilot lights with resistor	80	42

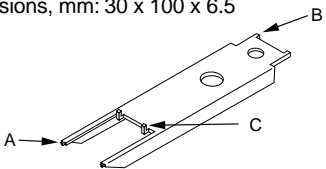






Other items are the same as for the AR22 and DR22 series, see page 04/50 to 04/54.








Pushbuttons/Selectors/Pilot Lights


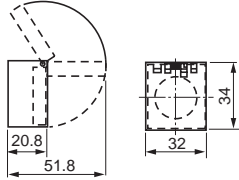

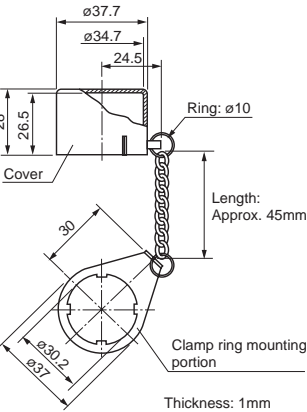

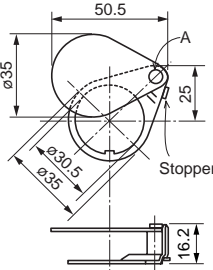
AR22/DR22 and AR30/DR30


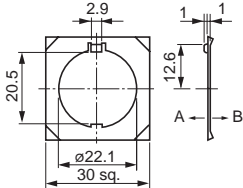

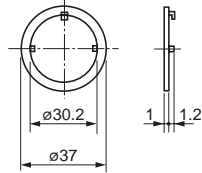


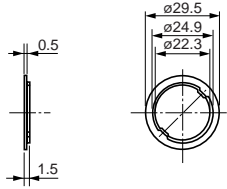
Accessories

■ Accessories

Description	Type
Wrench	<p>AR9A004 Dimensions, mm: 30 x 100 x 6.5</p>  <p>Remarks Section "A" Use this section to tighten the nut for mounting the operator on a panel.</p> <p>Section "B" Use this section to tighten or remove the lens. Applicable type: AR22F0L, F5L, E0L, E5L, F0P, F5P, E0P, E5P AR22G1L, G2L, G4L, G6L, G7L, G9L DR22E3L, E3P AR30E0L, E5L, G2L, G3L, G4L, G7L, G8L, G9L DR30E3L</p> <p>Section "C" Fit the tabs on the section "C" in the center button, and turn the wrench to tighten or remove the button. Applicable type: AR22V (except V4R, VG type) AR30V (except V1R type)</p>  <p>KK02-261</p>
Wrench for AR22, DR22	<p>AR9A701 Dimensions, mm: $\varnothing 28 \times 70$</p> <p>Application: AR22, DR22 nut tightening</p> 
Wrench	<p>AHX536 Dimensions, mm: $\varnothing 32 \times 76$</p> <p>Application: DR30F4M, F4N, M4M, N1, N2 nut tightening</p>  <p>KK02-097A</p>
Wrench	<p>AR9A001 Dimensions, mm: $\varnothing 22 \times 35$</p> <p>Application: AR22, DR22 round-type lens tightening AR22E0M, E5M oil-proof cap tightening AR30, DR30 round-type lens tightening AR30GSR button tightening</p>  <p>KK02-098A</p>
Wrench (for center button)	<p>AR9A002 Dimensions, mm: $\varnothing 18 \times 60$</p> <p>Application: AR22V center button tightening (except V4R, VG type) AR30V center button tightening (except V1R type)</p> 
Wrench	<p>AHX701 Dimensions, mm: $\varnothing 25 \times 72.5$</p> <p>Application: DR22N, AR22VG nut tightening</p>  <p>AF03-5</p>

Description	Type
Wrench (for center button)	<p>AHX8003 Dimensions, mm: $\varnothing 14 \times 50$</p> <p>Attaching and removing the center button of the AR22VGF type.</p>  <p>AF93-6</p>
Wrench for AR22,30 and DR22, 30	<p>AR9A006 Dimensions, mm: $\varnothing 40 \times 100$</p> <p>To mount an AR22, 30 or DR22, 30 command switch to a panel, use this wrench to tighten the nut securely. It is very easy to fit this wrench onto the nut. The wrench with an inside rubber-lining can be easily used with either your right or left hand.</p>  <p>For $\varnothing 22$</p> <p>For $\varnothing 30$</p> <p>AF96-241</p>
Wrench for AR30, DR30	<p>AHX001 Dimensions, mm: $\varnothing 47 \times 100$</p> <p>To mount an AR30 or DR30 command switch to a panel, use this wrench to tighten the nut securely.</p>  <p>AF95-467</p>
Special tool	<p>AHX321 Dimensions, mm: 42 x 130 x 6.5 For all types except pilot lights</p> <p>DR9A321-T Dimensions, mm: 57 x 130 x 30 For pilot lights</p> <ul style="list-style-type: none"> This tool is used to remove contact blocks and transformer units. The AHX321 can remove round color lens of switches.  <p>AHX321</p> <p>SG-873</p>  <p>DR9A321-T</p> <p>AF95-21</p>
Wrench/Lamp changer	<p>AHX702 Dimensions, mm: $\varnothing 36 \times 55$</p> <p>Use this wrench to tighten or remove the lens and lamp.</p> <p>Used with: Lens of DR22D0L, K0L and DR30D0L, K0L Incandescent lamp of pilot lights and illuminated pushbuttons</p>  <p>SI-1030</p>
Lamp changer	<p>AHX790 Dimensions, mm: $\varnothing 14 \times 55$</p> <ul style="list-style-type: none"> Use this rubber wrench for mounting or removing lamps from pilot lights and illuminated pushbutton switches. This wrench can be used for both LED and incandescent lamps. One end is for the BA9S/13 lamp, and the other is for the E12/15 lamp (for use with 30mm dia. pilot lights with resistor). For 30mm dia. pilot lights with resistor, this tool can also be used to attach or remove incandescent lamps.  <p>For BA9S/13 lamp</p> <p>For E12/15 lamp</p> <p>AF95-22</p>


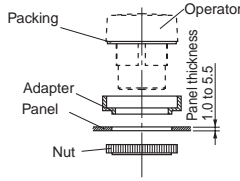
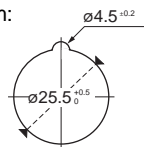
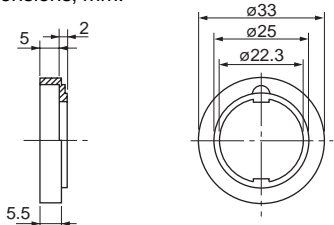

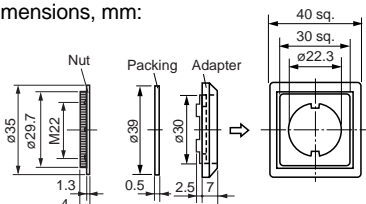
Description	Type
<p>Protection cover</p>  <p>AF95-29</p>	<p>AR9E760</p> <p>This cover protects against accidental operation. The cover lid is returned home with a spring force. (Packing is provided)</p> <p>Used with: AR22F0L, F5L, E0L, E5L, F0M, F5M, E0M, E5M, F0P, F5P, E0P, E5P AR22F0R, F5R, E0R, E5R, F0S, F5S, E0S, E5S, E0Y, E5Y, F0Y, F5Y, FAR, FBR, EAR, EBR</p> <p>Dimensions, mm:</p> 
<p>Cover for preventing operating errors with 30mm dia. types</p>  <p>AF91-671</p>	<p>AR9E538</p> <p>Inadvertent operation can be prevented by fitting a transparent cover with chain in the clamp ring.</p> <p>Used with: AR30F0R, F5R, E0R, E5R, E0L, E5L</p> <p>Dimensions, mm:</p> 
<p>Cover for preventing operating errors with 30mm dia. types</p>  <p>.AF93-420</p>	<p>AHX408</p> <p>This is a metallic cover for preventing inadvertent operation.</p> <p>Used with: AR30F0R, F5R</p> <p>Dimensions, mm:</p>  <p>When attaching the cover to a vertical panel, if you attach it so that the portion indicated by an "A" is at the upper right, the stopper causes the cover to stop above the push button to halt further rotation.</p> <p>The material is steel (zinc plated).</p>

Description	Type
<p>Key washer for AR22, DR22</p>  <p>AF95-25</p>	<p>AR9Y715</p> <p>Use this metal washer when securing a operator in a 22.3mm dia. panel cutout hole.</p> <p>Dimensions, mm:</p>  <ul style="list-style-type: none"> When the periphery of the panel cutout has a hole to stop rotation, use with side A contacting the panel (except for Joy stick selector types). Even when the periphery of the panel cutout does not have a hole to stop rotation, if used with side B contacting the panel it can serve as a washer for eliminating play (except for Joy stick selector types).
<p>Key washer for ø30</p>  <p>SC-1016</p>	<p>AHX082</p> <p>Use this metal washer when securing an operator in a 30.5mm dia. panel cutout hole.</p> <p>Dimension, mm:</p> 
<p>Operator base cover</p>  <p>AF95-26</p>	<p>AR9Y002</p> <p>Attach this cover to the operator base of a pushbutton switch with only one contact block (1NO or 1NC) to protect against dust.</p>
<p>Adapter for AR22, DR22</p>  <p>AF95-28</p>	<p>AR9Y718</p> <p>Use this resin adapter to mount the AR22/DR22 (switch/pilot light) in a 25.5mm dia. cutout hole on a panel.</p> <p>Dimensions, mm:</p> 

Pushbuttons/Selectors/Pilot Lights

AR22/DR22 and AR30/DR30

Accessories

Description	Type
Adapter for AR22 and DR22 	AR9Y008 Use this resin adapter to mount the AR22/DR22 (switch/pilot light) in a 25.5mm dia. cutout hole on a panel. Mounting, mm:  Panel cutout, mm:  Equipped with device for stopping rotation Used with: AR22, DR22 round head types (except for M3R, M8R, VG□, joy stick selectors and buzzers) Dimensions, mm:  AF98-198
Adapter for AR30 and DR30 	AR9Y003 Mount this adapter onto a 22mm dia. command switch with a square button and a square bezel to obtain a 30mm dia. command switch with a square/round button and a square bezel. A resin ring-packing and a nut are accessories of the adapter. Dimensions, mm:  Note: Panel thickness: 2.5 to 5mm AF95-416

Description	Type
Round-frame adapter for 30mm dia. types 	AR9Y004 By using this adapter in combination with the round type 22mm dia. command switch, the 22mm dia. command switch can be used as a 30mm dia. command switch/round frame type. Used with: AR22, DR22 round types (except for M3R, M8R, VG□, Joy stick selectors, buzzers) Dimensions, mm  Note: Panel thickness: 2.5 to 5mm KK02-100A
Round-frame adapter for 30mm dia. type VG   	AHX958 Using this adapter in combination with model AR22VG (22mm dia.) allows mounting to a 30.5mm panel cutout hole. The attachment method is as follows. <ul style="list-style-type: none"> • The washer and nut (22.3mm dia.) originally attached to the operator will not be used, so remove them. • Attach the 22mm dia. packing (included), the 30mm dia. adapter and the 30mm dia. packing to the operator in that order, and insert the operator into the cutout hole. • From the back of the panel cutout hole, fasten the 30mm-dia. nut using the AHX701 wrench. The correct tightening torque is 1 to 1.5 N•m.  *1 Adapter for 30mm dia. (AHX958) Panel cutout, mm:  Dimensions, mm:  Note: Panel thickness: 1 to 6mm AF93-4

Description
Legend plate for AR22

Type
AR9P711-①②③
① Color
B: Black
A: Aluminum

This aluminum legend plate is for a 22.3mm dia. panel cutout hole. (Packing provided)

Legend	Code	
	②	③
Blank	0	0
ON	0	A
OFF	0	B
START	0	C
STOP	0	D
OFF-ON	2	A

Dimensions, mm:

SI-1033

Description
Legend plate for AR22

Type
AR9P713-①②③
① Color
B: Black
A: Partially black

This aluminum legend plate is for a 22.3mm dia. panel cutout hole. (Packing provided)

Legend	Code	
	②	③
Blank	0	0
ON	0	A
OFF	0	B
START	0	C
STOP	0	D
OFF-ON	2	A

Dimensions, mm:

AF95-114

Description
Legend plate for AR22

Type
AR9P712-①②③
① Color
B: Black
A: Partially black

This aluminum legend plate is for a 22.3mm dia. panel cutout hole. (Packing provided)

Legend	Code	
	②	③
Blank	0	0
ON	0	A
OFF	0	B
START	0	C
STOP	0	D
OFF-ON	2	A

Dimensions, mm:

SI-1032

Description
Legend plate for AR22 emergency stop

Type
AR9P719-①②
Plate color: Yellow
Letter color: Black

This aluminum legend plate is for a 22.3mm dia. panel cutout hole. (Packing provided)

Legend	Code		Letter height
	①	②	
Blank	0	0	-
EMERGENCY	5	A	7mm
STOP	5	B	13mm
EMERGENCY	5	C	13mm
OFF			

Dimensions, mm:


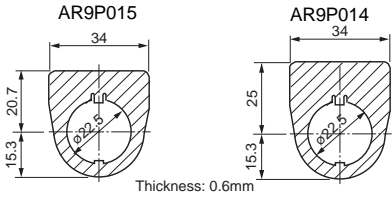
KK02-265A


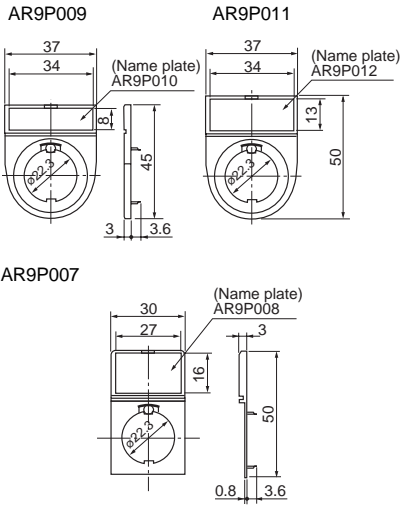
Note: Engraving for making letters is not available.



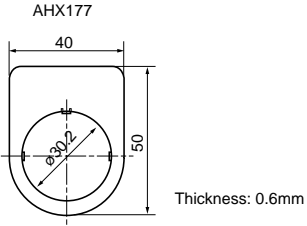

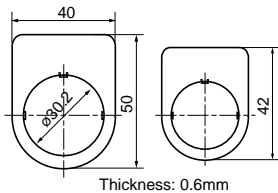
Pushbuttons/Selectors/Pilot Lights


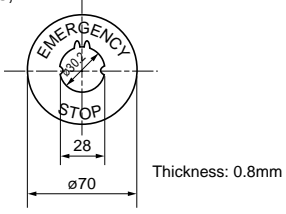
AR22/DR22 and AR30/DR30



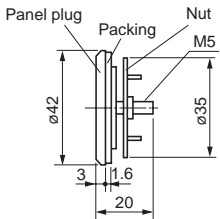
Accessories


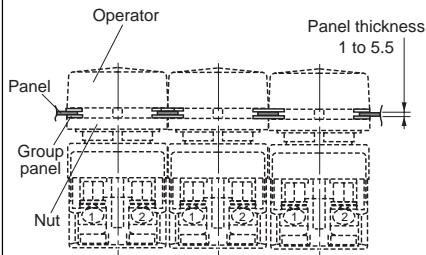
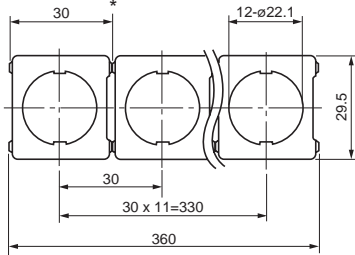
Description	Type
Legend plate for AR22 (width: 34mm)	AR9P015-B ①② : Hight 36mm AR9P014-B ①② : Hight 40.3mm
	Color: black
	Legend code ① ②
	Blank 0 0 ON 0 A OFF 0 B START 0 C STOP 0 D OFF-ON 2 A
	Optimal for use in combination with a 3-position selector switch. Legend plates are available in two types: short, 36 mm; and long, 40.3mm.
	Dimensions, mm:
	
.AF96-190	Thickness: 0.6mm

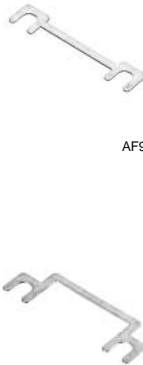
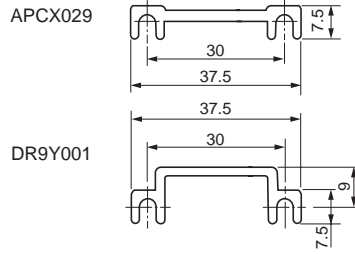
Description	Type
Legend plate with name plate for AR22	Legend plate AR9P009-B Name plate AR9P010-B ①② (34 × 8mm)
	Legend plate AR9P011-B Name plate AR9P012-B ①② (34 × 13mm)
	Legend plate AR9P007-B Name plate AR9P008-B ①② (27 × 16mm)
	Name plate Code ① ②
	ON 0 A OFF 0 B START 0 C STOP 0 D OFF-ON 2 A
	Dimensions, mm:
	
.AF96-190	

Description	Type
Legend plate for AR30	AHX177-①②③④ This legend plate is for a 30.5mm dia. panel cutout hole. ① Material and color
	Code Material Color
	S Brass Silver B Aluminum Black A Aluminum Aluminum
	② Size H: Standard S: Short size
Y-1545	Legend Code ③ ④
	Blank 0 0 ON 0 A OFF 0 B START 0 C STOP 0 D OFF-ON 2 A
	Dimensions, mm:
AF89-466	
	Thickness: 0.6mm
	AHX177B AHX177A AHX177-BS AHX177-AS
AF87-49	
	Thickness: 0.6mm

Description	Type
Legend plate for AR30 emergency stop	AHX720-①② This aluminum legend plate is for a 30.5mm dia. panel cutout hole. Plate color: Yellow Letter color: Black
	Legend Code Letter height ① ②
	Blank 0 0 - EMERGENCY STOP 5 A 7mm
	Dimensions, mm:
SK-598	
	Thickness: 0.8mm
	Note: Engraving for making letters is not available.

Description	Type
Panel plug for AR22 and DR22  <small>SI-1027</small>	Round: AHX725-B Black AHX725-H Gray Square: AHX726-B Black AHX726-H Gray Dimensions, mm: $\varnothing 29.5 \times 17$ (AHX725) $29.5 \text{ sq.} \times 17$ (AHX726) Use this plug to cover up unused panel cutout holes. For oil proof usage, use together with packing (AR9Y730) and a nut (AR9R744).
Panel plug for AR30 and DR30  <small>T-1993</small>	AHX004 Color: Silver (metal) This plug is used to cover up unused panel cutout hole. Dimensions, mm: 

Description	Type
Group panel for 22mm dia. type 	DR9Y004 These new 22mm dia. command switch/square types can be neatly aligned side by side on this group panel at a 30mm pitch to form a uniform panel face with no misalignment between mounted switches. Depending on the number of switches to be grouped (maximum 12), the panel can be divided (by cutting at the portion indicated by an asterisk (*)). Mounting, mm: (example showing a group of three)  Dimensions, mm:  <small>AF97-233</small>



Description	Type
Jumper  <small>AF95-153</small> <small>AF95-27</small>	APCX029 (For pilot light without transformer) DR9Y001 (For pilot light with transformer) Use this jumper to connect terminals allocated in a 30mm pitch. Rated current is 3A Dimensions, mm:  Thickness: 0.5mm






04

Pushbuttons/Selectors/Pilot Lights






AR22/DR22 and AR30/DR30








Accessories

Description	Type																														
Lens for illuminated pushbutton switch and pilot lights 	<table border="1"> <thead> <tr> <th>Type</th> <th>Used with</th> </tr> </thead> <tbody> <tr> <td>AR9C011-□*1</td> <td>AR22F0L, F5L, F0P, F5P</td> </tr> <tr> <td>AR9C012-□*1</td> <td>AR22E0L, E5L, E0P, E5P AR22G1L, G2L, G4L, G6L, G7L, G9L DR22E3L, E3P AR30E0L, E5L, G2L, G3L, G4L, G7L, G8L, G9L DR30E3L</td> </tr> <tr> <td>AR9C013-□*1</td> <td>AR22F0M, F5M</td> </tr> <tr> <td>AR9C014-□*1</td> <td>AR22E0M, E5M DR22E3M, F5M</td> </tr> <tr> <td>AR9C015-□</td> <td>AR22M4L, M4P</td> </tr> <tr> <td>AR9C016-□</td> <td>AR22M0L, M5L</td> </tr> <tr> <td>DR9C001-□</td> <td>DR22D0L DR30D0L*2</td> </tr> <tr> <td>DR9C002-□</td> <td>DR22K0L DR30K0L*2</td> </tr> <tr> <td>DR9C120-C</td> <td>DR30M4M</td> </tr> <tr> <td>DR9C121-C</td> <td>DR30F4N</td> </tr> <tr> <td>DR9C122-C</td> <td>DR30F4M</td> </tr> <tr> <td>DR9C126-□*1</td> <td>DR22F3M</td> </tr> <tr> <td>DR9C126-C</td> <td>DR22F4M</td> </tr> <tr> <td>DR9C127-□*1</td> <td>DR22E3N</td> </tr> </tbody> </table>	Type	Used with	AR9C011 -□*1	AR22F0L, F5L, F0P, F5P	AR9C012 -□*1	AR22E0L, E5L, E0P, E5P AR22G1L, G2L, G4L, G6L, G7L, G9L DR22E3L, E3P AR30E0L, E5L, G2L, G3L, G4L, G7L, G8L, G9L DR30E3L	AR9C013 -□*1	AR22F0M, F5M	AR9C014 -□*1	AR22E0M, E5M DR22E3M, F5M	AR9C015 -□	AR22M4L, M4P	AR9C016 -□	AR22M0L, M5L	DR9C001 -□	DR22D0L DR30D0L*2	DR9C002 -□	DR22K0L DR30K0L*2	DR9C120-C	DR30M4M	DR9C121-C	DR30F4N	DR9C122-C	DR30F4M	DR9C126 -□*1	DR22F3M	DR9C126-C	DR22F4M	DR9C127 -□*1	DR22E3N
	Type	Used with																													
	AR9C011 -□*1	AR22F0L, F5L, F0P, F5P																													
	AR9C012 -□*1	AR22E0L, E5L, E0P, E5P AR22G1L, G2L, G4L, G6L, G7L, G9L DR22E3L, E3P AR30E0L, E5L, G2L, G3L, G4L, G7L, G8L, G9L DR30E3L																													
	AR9C013 -□*1	AR22F0M, F5M																													
	AR9C014 -□*1	AR22E0M, E5M DR22E3M, F5M																													
	AR9C015 -□	AR22M4L, M4P																													
	AR9C016 -□	AR22M0L, M5L																													
	DR9C001 -□	DR22D0L DR30D0L*2																													
	DR9C002 -□	DR22K0L DR30K0L*2																													
	DR9C120-C	DR30M4M																													
	DR9C121-C	DR30F4N																													
	DR9C122-C	DR30F4M																													
	DR9C126 -□*1	DR22F3M																													
	DR9C126-C	DR22F4M																													
	DR9C127 -□*1	DR22E3N																													
	<table border="1"> <thead> <tr> <th colspan="5">Replace the □ mark by the lens color code</th> </tr> <tr> <th>Color</th> <th>Green</th> <th>Red</th> <th>Clear</th> <th>Yellow</th> </tr> </thead> <tbody> <tr> <td>Code</td> <td>G</td> <td>R</td> <td>C</td> <td>Y</td> </tr> </tbody> </table>	Replace the □ mark by the lens color code					Color	Green	Red	Clear	Yellow	Code	G	R	C	Y															
	Replace the □ mark by the lens color code																														
	Color	Green	Red	Clear	Yellow																										
	Code	G	R	C	Y																										
<table border="1"> <thead> <tr> <th colspan="3">Replace the □ mark by the lens color code</th> </tr> <tr> <th>Color</th> <th>Orange</th> <th>Blue</th> <th>White</th> </tr> </thead> <tbody> <tr> <td>Code</td> <td>A</td> <td>S</td> <td>W</td> </tr> </tbody> </table>	Replace the □ mark by the lens color code			Color	Orange	Blue	White	Code	A	S	W																				
Replace the □ mark by the lens color code																															
Color	Orange	Blue	White																												
Code	A	S	W																												
Notes: *1 When the main unit code is "W" (white), use a lens of clear color. *2 Except for pilot lights with resistor																															
AF94-458																															
Button for pushbutton switch 	<table border="1"> <thead> <tr> <th>Type</th> <th>Used with</th> </tr> </thead> <tbody> <tr> <td>AR9C001-□</td> <td>AR22F0R, F5R, F0Y, F5Y, G2R, G7R AR30F0R, F5R, FVR AR22S1R, S2R, S3R, S6R AR30S1R, S2R, S3R, S6R</td> </tr> <tr> <td>AR9C003-□</td> <td>AR22E0R, E5R, G0R, G3R, G5R, G8R AR22E0Y, E5Y AR30E0R, E5R, G0R, G1R, G5R, G6R</td> </tr> <tr> <td>AR9C004-□</td> <td>AR22F0S, F5S</td> </tr> <tr> <td>AR9C005-□</td> <td>AR22E0S, E5S</td> </tr> <tr> <td>AR9C006-□</td> <td>AR22M4R, M9R, M4Y AR30M4R</td> </tr> <tr> <td>AR9C007-□</td> <td>AR22M0R, M5R AR30M0R, M3R, M5R, M8R</td> </tr> <tr> <td>AR9C024-□</td> <td>AR30B0R, B1R, B2R, B3R</td> </tr> <tr> <td>AR9C027-C</td> <td>AR22FAR, FBR, AR30FAR, FBR</td> </tr> <tr> <td>AR9C028-C</td> <td>AR22EAR, EBR, AR30EAR, EBR</td> </tr> <tr> <td>AR9C041-R</td> <td>AR30N0R</td> </tr> <tr> <td>AHX539</td> <td>Cap for AR30FVR</td> </tr> </tbody> </table>	Type	Used with	AR9C001 -□	AR22F0R, F5R, F0Y, F5Y, G2R, G7R AR30F0R, F5R, FVR AR22S1R, S2R, S3R, S6R AR30S1R, S2R, S3R, S6R	AR9C003 -□	AR22E0R, E5R, G0R, G3R, G5R, G8R AR22E0Y, E5Y AR30E0R, E5R, G0R, G1R, G5R, G6R	AR9C004 -□	AR22F0S, F5S	AR9C005 -□	AR22E0S, E5S	AR9C006 -□	AR22M4R, M9R, M4Y AR30M4R	AR9C007 -□	AR22M0R, M5R AR30M0R, M3R, M5R, M8R	AR9C024 -□	AR30B0R, B1R, B2R, B3R	AR9C027-C	AR22FAR, FBR, AR30FAR, FBR	AR9C028-C	AR22EAR, EBR, AR30EAR, EBR	AR9C041-R	AR30N0R	AHX539	Cap for AR30FVR						
	Type	Used with																													
	AR9C001 -□	AR22F0R, F5R, F0Y, F5Y, G2R, G7R AR30F0R, F5R, FVR AR22S1R, S2R, S3R, S6R AR30S1R, S2R, S3R, S6R																													
	AR9C003 -□	AR22E0R, E5R, G0R, G3R, G5R, G8R AR22E0Y, E5Y AR30E0R, E5R, G0R, G1R, G5R, G6R																													
	AR9C004 -□	AR22F0S, F5S																													
	AR9C005 -□	AR22E0S, E5S																													
	AR9C006 -□	AR22M4R, M9R, M4Y AR30M4R																													
	AR9C007 -□	AR22M0R, M5R AR30M0R, M3R, M5R, M8R																													
	AR9C024 -□	AR30B0R, B1R, B2R, B3R																													
	AR9C027-C	AR22FAR, FBR, AR30FAR, FBR																													
AR9C028-C	AR22EAR, EBR, AR30EAR, EBR																														
AR9C041-R	AR30N0R																														
AHX539	Cap for AR30FVR																														
<table border="1"> <thead> <tr> <th colspan="5">Replace the □ mark by the button color code</th> </tr> <tr> <th>Color</th> <th>Green</th> <th>Red</th> <th>Black</th> <th>White</th> </tr> </thead> <tbody> <tr> <td>Code</td> <td>G</td> <td>R</td> <td>B</td> <td>W</td> </tr> </tbody> </table>	Replace the □ mark by the button color code					Color	Green	Red	Black	White	Code	G	R	B	W																
Replace the □ mark by the button color code																															
Color	Green	Red	Black	White																											
Code	G	R	B	W																											
<table border="1"> <thead> <tr> <th colspan="3">Replace the □ mark by the button color code</th> </tr> <tr> <th>Color</th> <th>Yellow</th> <th>Orange</th> <th>Blue</th> </tr> </thead> <tbody> <tr> <td>Code</td> <td>Y</td> <td>A</td> <td>S</td> </tr> </tbody> </table>	Replace the □ mark by the button color code			Color	Yellow	Orange	Blue	Code	Y	A	S																				
Replace the □ mark by the button color code																															
Color	Yellow	Orange	Blue																												
Code	Y	A	S																												
KK02-101A																															
KK02-102A																															
KK02-103A																															

Description	Type																				
Center button (For V type) 	<table border="1"> <thead> <tr> <th>Type</th> <th>Used with</th> </tr> </thead> <tbody> <tr> <td>AR9C020-R</td> <td>AR22V0R, V2R, VSR AR30V0R, V2R</td> </tr> <tr> <td>AR9C020-□</td> <td>AR22V5R, AR30V5R</td> </tr> <tr> <td>AR9C018-R</td> <td>AR22V0L, V2L, VDL, VAL, VSL AR30V0L, V2L</td> </tr> <tr> <td>AR9C018-□</td> <td>AR22V5L*, AR30V5L*</td> </tr> </tbody> </table>	Type	Used with	AR9C020-R	AR22V0R, V2R, VSR AR30V0R, V2R	AR9C020 -□	AR22V5R, AR30V5R	AR9C018-R	AR22V0L, V2L, VDL, VAL, VSL AR30V0L, V2L	AR9C018 -□	AR22V5L*, AR30V5L*										
	Type	Used with																			
AR9C020-R	AR22V0R, V2R, VSR AR30V0R, V2R																				
AR9C020 -□	AR22V5R, AR30V5R																				
AR9C018-R	AR22V0L, V2L, VDL, VAL, VSL AR30V0L, V2L																				
AR9C018 -□	AR22V5L*, AR30V5L*																				
<table border="1"> <thead> <tr> <th colspan="4">Replace the □ mark by the button color code</th> </tr> <tr> <th>Color</th> <th>Red</th> <th>Black</th> <th>Yellow</th> </tr> </thead> <tbody> <tr> <td>Code</td> <td>R</td> <td>B</td> <td>Y</td> </tr> </tbody> </table>	Replace the □ mark by the button color code				Color	Red	Black	Yellow	Code	R	B	Y									
Replace the □ mark by the button color code																					
Color	Red	Black	Yellow																		
Code	R	B	Y																		
Note: * V5L: Red and yellow only																					
AF95-32																					
Push-lock, turn-reset button (V and Q types) 	<table border="1"> <thead> <tr> <th>Type</th> <th>Used with</th> </tr> </thead> <tbody> <tr> <td>AR9C008-R</td> <td>AR22V4R</td> </tr> <tr> <td>AR9C010-R</td> <td>AR22Q2R, AR30Q2R</td> </tr> <tr> <td>AR9C017-R</td> <td>AR22V2R, V2L, AR30V2R, V2L</td> </tr> <tr> <td>AR9C019-R</td> <td>AR22VAL</td> </tr> <tr> <td>AR9C021-R</td> <td>AR22V0R, V0L, AR30V0R, V0L</td> </tr> <tr> <td>AR9C021-□</td> <td>AR22V5R, V5L*, AR30V5R, V5L*</td> </tr> <tr> <td>AR9C026-R</td> <td>AR22VDL</td> </tr> <tr> <td>AR9C029-R</td> <td>AR30V1R</td> </tr> <tr> <td>AR9C040-R</td> <td>AR22VSR, VSL</td> </tr> </tbody> </table>	Type	Used with	AR9C008-R	AR22V4R	AR9C010-R	AR22Q2R, AR30Q2R	AR9C017-R	AR22V2R, V2L, AR30V2R, V2L	AR9C019-R	AR22VAL	AR9C021-R	AR22V0R, V0L, AR30V0R, V0L	AR9C021 -□	AR22V5R, V5L*, AR30V5R, V5L*	AR9C026-R	AR22VDL	AR9C029-R	AR30V1R	AR9C040-R	AR22VSR, VSL
	Type	Used with																			
	AR9C008-R	AR22V4R																			
	AR9C010-R	AR22Q2R, AR30Q2R																			
	AR9C017-R	AR22V2R, V2L, AR30V2R, V2L																			
	AR9C019-R	AR22VAL																			
	AR9C021-R	AR22V0R, V0L, AR30V0R, V0L																			
	AR9C021 -□	AR22V5R, V5L*, AR30V5R, V5L*																			
	AR9C026-R	AR22VDL																			
	AR9C029-R	AR30V1R																			
AR9C040-R	AR22VSR, VSL																				
<table border="1"> <thead> <tr> <th colspan="4">Replace the □ mark by the button color code</th> </tr> <tr> <th>Color</th> <th>Red</th> <th>Black</th> <th>Yellow</th> </tr> </thead> <tbody> <tr> <td>Code</td> <td>R</td> <td>B</td> <td>Y</td> </tr> </tbody> </table>	Replace the □ mark by the button color code				Color	Red	Black	Yellow	Code	R	B	Y									
Replace the □ mark by the button color code																					
Color	Red	Black	Yellow																		
Code	R	B	Y																		
Note: * V5L: Red and yellow only																					
AF95-31																					
KK02-104A																					
Knob 	<table border="1"> <thead> <tr> <th>Type</th> <th>Used with</th> </tr> </thead> <tbody> <tr> <td>AR9M006-□</td> <td>AR22PR, PCR, PY, PCY AR30PR, PCR</td> </tr> </tbody> </table>	Type	Used with	AR9M006 -□	AR22PR, PCR, PY, PCY AR30PR, PCR																
	Type	Used with																			
AR9M006 -□	AR22PR, PCR, PY, PCY AR30PR, PCR																				
<table border="1"> <thead> <tr> <th colspan="4">Replace the □ mark by the knob color code</th> </tr> <tr> <th>Color</th> <th>Black</th> <th>Green</th> <th>Red</th> </tr> </thead> <tbody> <tr> <td>Code</td> <td>B</td> <td>G</td> <td>R</td> </tr> </tbody> </table>	Replace the □ mark by the knob color code				Color	Black	Green	Red	Code	B	G	R									
Replace the □ mark by the knob color code																					
Color	Black	Green	Red																		
Code	B	G	R																		
AF95-43																					
Lever 	<table border="1"> <thead> <tr> <th>Type</th> <th>Used with</th> </tr> </thead> <tbody> <tr> <td>AR9M007-□</td> <td>AR22WR, WCR, WY, WCY AR30WR, WCR</td> </tr> </tbody> </table>	Type	Used with	AR9M007 -□	AR22WR, WCR, WY, WCY AR30WR, WCR																
	Type	Used with																			
AR9M007 -□	AR22WR, WCR, WY, WCY AR30WR, WCR																				
<table border="1"> <thead> <tr> <th colspan="4">Replace the □ mark by the lever color code</th> </tr> <tr> <th>Color</th> <th>Black</th> <th>Green</th> <th>Red</th> </tr> </thead> <tbody> <tr> <td>Code</td> <td>B</td> <td>G</td> <td>R</td> </tr> </tbody> </table>	Replace the □ mark by the lever color code				Color	Black	Green	Red	Code	B	G	R									
Replace the □ mark by the lever color code																					
Color	Black	Green	Red																		
Code	B	G	R																		
AF95-42																					
Cylindrical knob 	<table border="1"> <thead> <tr> <th>Type</th> <th>Used with</th> </tr> </thead> <tbody> <tr> <td>AR9M008-□</td> <td>AR22RR, RCR, RY, RCY</td> </tr> </tbody> </table>	Type	Used with	AR9M008 -□	AR22RR, RCR, RY, RCY																
	Type	Used with																			
AR9M008 -□	AR22RR, RCR, RY, RCY																				
<table border="1"> <thead> <tr> <th colspan="4">Replace the □ mark by the knob color code</th> </tr> <tr> <th>Color</th> <th>Black</th> <th>Green</th> <th>Red</th> </tr> </thead> <tbody> <tr> <td>Code</td> <td>B</td> <td>G</td> <td>R</td> </tr> </tbody> </table>	Replace the □ mark by the knob color code				Color	Black	Green	Red	Code	B	G	R									
Replace the □ mark by the knob color code																					
Color	Black	Green	Red																		
Code	B	G	R																		
AF95-44																					

Pushbuttons/Selectors/Pilot Lights AR22/DR22 and AR30/DR30 Accessories




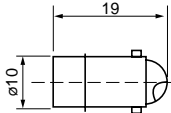
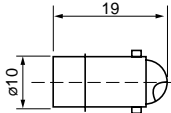
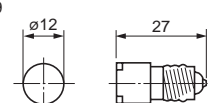
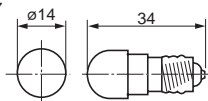
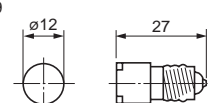
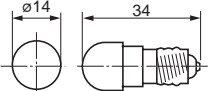
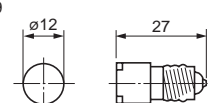
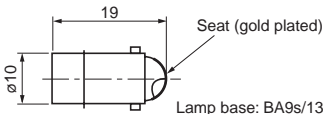
<p>Description</p> <p>Knob (for illuminated selector switch)</p>  <p style="text-align: right; font-size: small;">AF94-465</p>	<p>Type</p> <table style="width: 100%; border-collapse: collapse;"> <tr> <td style="width: 30%;">Type</td> <td>Used with</td> </tr> <tr> <td>AR9M005-□</td> <td>AR22PL, PP AR30PL</td> </tr> </table> <p>Replace the □ mark by the knob color code</p> <table style="width: 100%; border-collapse: collapse;"> <tr> <td style="width: 20%;">Color</td> <td>Green</td> <td>Red</td> <td>White</td> </tr> <tr> <td>Code</td> <td>G</td> <td>R</td> <td>W</td> </tr> </table> <hr/> <table style="width: 100%; border-collapse: collapse;"> <tr> <td style="width: 20%;">Color</td> <td>Yellow</td> <td>Orange</td> <td>Blue</td> </tr> <tr> <td>Code</td> <td>Y</td> <td>A</td> <td>S</td> </tr> </table>	Type	Used with	AR9M005 -□	AR22PL, PP AR30PL	Color	Green	Red	White	Code	G	R	W	Color	Yellow	Orange	Blue	Code	Y	A	S																	
Type	Used with																																					
AR9M005 -□	AR22PL, PP AR30PL																																					
Color	Green	Red	White																																			
Code	G	R	W																																			
Color	Yellow	Orange	Blue																																			
Code	Y	A	S																																			
<p>Key</p>  <p style="text-align: right; font-size: small;">KKD09-012</p>	<p>Type</p> <table style="width: 100%; border-collapse: collapse;"> <tr> <td style="width: 30%;">Type</td> <td>Used with</td> </tr> <tr> <td>AR9C022-□</td> <td>AR22JR, JCR, AR30JR, JCR,</td> </tr> <tr> <td>AR9C025-□</td> <td>AR22JAR, AR30JAR</td> </tr> </table> <p>Replace the □ mark by the key type code. Code: A, B, C, D, E or F, 6 types.</p>	Type	Used with	AR9C022 -□	AR22JR, JCR, AR30JR, JCR,	AR9C025 -□	AR22JAR, AR30JAR																															
Type	Used with																																					
AR9C022 -□	AR22JR, JCR, AR30JR, JCR,																																					
AR9C025 -□	AR22JAR, AR30JAR																																					
<p>Legend plate (for F type with round bezel)</p>  <p style="text-align: right; font-size: small;">AF94-459</p>	<p>AR9P001-W</p> <p>This part is made of acrylic resin. Use paint or thinner compatible with resin.</p> <p>Dimensions, mm: ø17.8 x 0.9</p>																																					
<p>Legend plate (for E type with round bezel)</p>  <p style="text-align: right; font-size: small;">AF94-459</p>	<p>AR9P002-W</p> <p>This part is made of acrylic resin. Use paint or thinner compatible with resin.</p> <p>Dimensions, mm: ø19.7 x 4.2</p>																																					
<p>Symbol mark plate</p>  <p style="text-align: right; font-size: small;">AF98-197</p>	<table style="width: 100%; border-collapse: collapse;"> <tr> <td style="width: 30%;">Type</td> <td>Used with</td> </tr> <tr> <td>AR9P019-□ □ ■</td> <td>AR22FAR, FBR, AR30FAR, FBR</td> </tr> <tr> <td>AR9P020-□ □ ■</td> <td>AR22EAR, EBR, AR30EAR, EBR</td> </tr> </table> <p>□ □ ■ :</p> <table style="width: 100%; border-collapse: collapse; font-size: x-small;"> <tr> <td style="width: 10%;">Symbol</td> <td style="width: 10%;">○</td> <td style="width: 10%;"> </td> <td style="width: 10%;">⊕</td> <td style="width: 10%;">○</td> <td style="width: 10%;"> </td> <td style="width: 10%;">⊕</td> </tr> <tr> <td>Plate</td> <td>W</td> <td>B</td> <td>W</td> <td>B</td> <td>W</td> <td>B</td> <td>Clear</td> </tr> <tr> <td>Symbol</td> <td>Red</td> <td>Green</td> <td>Green</td> <td>Black</td> <td></td> <td></td> <td></td> </tr> <tr> <td>Code</td> <td>01</td> <td>02</td> <td>03</td> <td>04</td> <td>11</td> <td>12</td> <td>02B 04B 12B</td> </tr> </table> <p>W: White, B: black</p>	Type	Used with	AR9P019 -□ □ ■	AR22FAR, FBR, AR30FAR, FBR	AR9P020 -□ □ ■	AR22EAR, EBR, AR30EAR, EBR	Symbol	○		⊕	○		⊕	Plate	W	B	W	B	W	B	Clear	Symbol	Red	Green	Green	Black				Code	01	02	03	04	11	12	02B 04B 12B
Type	Used with																																					
AR9P019 -□ □ ■	AR22FAR, FBR, AR30FAR, FBR																																					
AR9P020 -□ □ ■	AR22EAR, EBR, AR30EAR, EBR																																					
Symbol	○		⊕	○		⊕																																
Plate	W	B	W	B	W	B	Clear																															
Symbol	Red	Green	Green	Black																																		
Code	01	02	03	04	11	12	02B 04B 12B																															

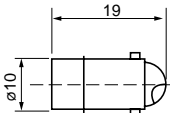
<p>Description</p> <p>Legend plate and color plate (for F type with square bezel)</p>  <p style="text-align: right; font-size: small;">AF94-460</p>  <p style="text-align: right; font-size: small;">KK02-105A</p>  <p style="text-align: right; font-size: small;">KK02-106A</p>  <p style="text-align: right; font-size: small;">KK02-107A</p>	<p>Type</p> <ul style="list-style-type: none"> • Legend plate <table style="width: 100%; border-collapse: collapse;"> <tr> <td style="width: 30%;">Type</td> <td>Used with</td> </tr> <tr> <td>DR9P241-W</td> <td>AR22F0M, F5M DR22F3M, F4M</td> </tr> <tr> <td>DR9P242-WP</td> <td>DR30M4M</td> </tr> <tr> <td>DR9P242-W</td> <td>DR30M4M, LED(W)</td> </tr> <tr> <td>DR9P243-WP</td> <td>DR30F4N</td> </tr> <tr> <td>DR9P243-W</td> <td>DR30F4N, LED(W)</td> </tr> <tr> <td>DR9P244-WP</td> <td>DR30F4M</td> </tr> <tr> <td>DR9P244-W</td> <td>DR30F4M, LED(W)</td> </tr> </table> <p>Types DR9P242, 243 and 244-W are LED illuminated, and used exclusively with operators having a "W" in the type number.</p> <ul style="list-style-type: none"> • color plate <table style="width: 100%; border-collapse: collapse;"> <tr> <td style="width: 30%;">Type</td> <td>Used with</td> </tr> <tr> <td>DR9P241-□</td> <td>DR22F3M, F4M</td> </tr> <tr> <td>DR9P242-□</td> <td>DR30M4M</td> </tr> <tr> <td>DR9P243-□</td> <td>DR30F4N</td> </tr> <tr> <td>DR9P244-□</td> <td>DR30F4M</td> </tr> </table> <p>Replace the □ mark by the color code</p> <table style="width: 100%; border-collapse: collapse;"> <tr> <td style="width: 20%;">Color</td> <td>Green</td> <td>Red</td> <td>White</td> </tr> <tr> <td>Code</td> <td>G</td> <td>R</td> <td>W</td> </tr> </table> <hr/> <table style="width: 100%; border-collapse: collapse;"> <tr> <td style="width: 20%;">Color</td> <td>Yellow</td> <td>Orange</td> <td>Blue</td> </tr> <tr> <td>Code</td> <td>Y</td> <td>A</td> <td>S</td> </tr> </table> <p>This part is made of acrylic resin. Use paint or thinner compatible with resin.</p> <p>Dimensions, mm: DR9P241: 20.8 sq. x 0.8 DR9P242: 33.4 sq. x 1 DR9P243: 33.4 x 27.4 x 1 DR9P244: 27.4 sq. x 1</p>	Type	Used with	DR9P241-W	AR22F0M, F5M DR22F3M, F4M	DR9P242-WP	DR30M4M	DR9P242-W	DR30M4M, LED(W)	DR9P243-WP	DR30F4N	DR9P243-W	DR30F4N, LED(W)	DR9P244-WP	DR30F4M	DR9P244-W	DR30F4M, LED(W)	Type	Used with	DR9P241 -□	DR22F3M, F4M	DR9P242 -□	DR30M4M	DR9P243 -□	DR30F4N	DR9P244 -□	DR30F4M	Color	Green	Red	White	Code	G	R	W	Color	Yellow	Orange	Blue	Code	Y	A	S
Type	Used with																																										
DR9P241-W	AR22F0M, F5M DR22F3M, F4M																																										
DR9P242-WP	DR30M4M																																										
DR9P242-W	DR30M4M, LED(W)																																										
DR9P243-WP	DR30F4N																																										
DR9P243-W	DR30F4N, LED(W)																																										
DR9P244-WP	DR30F4M																																										
DR9P244-W	DR30F4M, LED(W)																																										
Type	Used with																																										
DR9P241 -□	DR22F3M, F4M																																										
DR9P242 -□	DR30M4M																																										
DR9P243 -□	DR30F4N																																										
DR9P244 -□	DR30F4M																																										
Color	Green	Red	White																																								
Code	G	R	W																																								
Color	Yellow	Orange	Blue																																								
Code	Y	A	S																																								
<p>Legend plate (for E type with square bezel)</p>  <p style="text-align: right; font-size: small;">AF94-460</p>  <p style="text-align: right; font-size: small;">AF94-460</p>	<table style="width: 100%; border-collapse: collapse;"> <tr> <td style="width: 30%;">Type</td> <td>Used with</td> </tr> <tr> <td>AR9P003-W</td> <td>AR22E0M, E5M DR22F5M, E3M</td> </tr> <tr> <td>DR9P001-W</td> <td>DR22E3N</td> </tr> </table> <p>This part is made of acrylic resin. Use paint or thinner compatible with resin.</p> <p>Dimensions, mm: AR9P003-W: 20 sq. x 4.8 DR9P001-W: 19.7 x 26.7 x 4.5</p>	Type	Used with	AR9P003-W	AR22E0M, E5M DR22F5M, E3M	DR9P001-W	DR22E3N																																				
Type	Used with																																										
AR9P003-W	AR22E0M, E5M DR22F5M, E3M																																										
DR9P001-W	DR22E3N																																										
<p>Legend sheet</p>  <p style="text-align: right; font-size: small;">AF95-34</p>	<p>AHX727</p> <p>Affix this seal to the DR9P241-□/AR9P003 legend plate for marking or labeling.</p> <p>Dimensions, mm: 20 sq. x 0.025</p>																																										

Pushbuttons/Selectors/Pilot Lights

AR22/DR22 and AR30/DR30


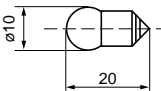

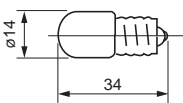



Accessories





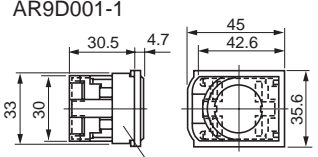
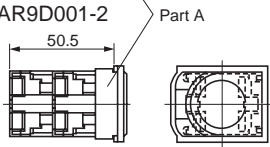
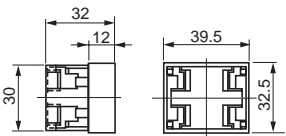
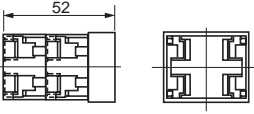
Description	Type																																				
  	<table border="1"> <thead> <tr> <th>Type</th> <th>Lamp voltage</th> </tr> </thead> <tbody> <tr> <td>APX510-6 □</td> <td>6V AC</td> </tr> <tr> <td>APX510-D6 □</td> <td>6V DC</td> </tr> <tr> <td>APX510-12 □</td> <td>12V AC/DC</td> </tr> <tr> <td>APX510-15 □</td> <td>15V AC/DC</td> </tr> <tr> <td>APX510-24 □</td> <td>24V AC/DC</td> </tr> </tbody> </table> <p>Replace the □ mark by the luminous color code</p> <table border="1"> <thead> <tr> <th>Luminous color</th> <th>Yellow</th> <th>Red</th> <th>Green</th> </tr> </thead> <tbody> <tr> <td>Code</td> <td>Y</td> <td>R</td> <td>G</td> </tr> <tr> <td>Lens color</td> <td>Y</td> <td>R</td> <td>G</td> </tr> </tbody> </table> <table border="1"> <thead> <tr> <th>Luminous color</th> <th>Amber</th> <th>Orange</th> <th>Blue</th> </tr> </thead> <tbody> <tr> <td>Code</td> <td>A</td> <td>O</td> <td>S</td> </tr> <tr> <td>Lens color</td> <td>A</td> <td>W, A*</td> <td>S</td> </tr> </tbody> </table> <p>* Orange is available only for the DR22F4M pilot light.</p> <p>Dimensions, mm:</p>  <p>Lamp base: BA9s/13</p>	Type	Lamp voltage	APX510-6 □	6V AC	APX510-D6 □	6V DC	APX510-12 □	12V AC/DC	APX510-15 □	15V AC/DC	APX510-24 □	24V AC/DC	Luminous color	Yellow	Red	Green	Code	Y	R	G	Lens color	Y	R	G	Luminous color	Amber	Orange	Blue	Code	A	O	S	Lens color	A	W, A*	S
	Type	Lamp voltage																																			
	APX510-6 □	6V AC																																			
	APX510-D6 □	6V DC																																			
	APX510-12 □	12V AC/DC																																			
	APX510-15 □	15V AC/DC																																			
	APX510-24 □	24V AC/DC																																			
	Luminous color	Yellow	Red	Green																																	
	Code	Y	R	G																																	
	Lens color	Y	R	G																																	
Luminous color	Amber	Orange	Blue																																		
Code	A	O	S																																		
Lens color	A	W, A*	S																																		
LED lamp (for DR30 with resistor)	<table border="1"> <thead> <tr> <th>Type</th> <th>Lamp voltage</th> </tr> </thead> <tbody> <tr> <td>APX507-24 □</td> <td>24V AC/DC</td> </tr> <tr> <td>APX509-24O</td> <td></td> </tr> </tbody> </table> <p>Note: The symbol in the box indicates the color of light emitted. (See note APX510.) When the code is "W" (white), use an LED lamp ((APX.509-24O)</p> <p>Dimensions, mm:</p> <table border="1"> <tbody> <tr> <td>APX507</td> <td></td> </tr> <tr> <td>APX509</td> <td></td> </tr> </tbody> </table> <p>Lamp base: E12/15</p>	Type	Lamp voltage	APX507-24 □	24V AC/DC	APX509-24O		APX507		APX509																											
Type	Lamp voltage																																				
APX507-24 □	24V AC/DC																																				
APX509-24O																																					
APX507																																					
APX509																																					
LED lamp (for AR22VGF type)	<table border="1"> <thead> <tr> <th>Type</th> <th>Lamp voltage</th> </tr> </thead> <tbody> <tr> <td>AR9L002-ER</td> <td>24V AC/DC</td> </tr> </tbody> </table> <p>Luminous color: Red</p> <p>Dimensions, mm:</p>  <p>Lamp base: BA9s/13</p> <p>Do not use the LED lamp for other types.</p>	Type	Lamp voltage	AR9L002-ER	24V AC/DC																																
Type	Lamp voltage																																				
AR9L002-ER	24V AC/DC																																				

Description	Type																															
Neon lamp (for AR22VGF type)	<table border="1"> <thead> <tr> <th>Type</th> <th>Lamp voltage</th> </tr> </thead> <tbody> <tr> <td>AR9N001-HA</td> <td>110V AC</td> </tr> <tr> <td>AR9N001-KA</td> <td>120V AC</td> </tr> <tr> <td>AR9N001-MA</td> <td>220V AC</td> </tr> <tr> <td>AR9N001-PA</td> <td>240V AC</td> </tr> </tbody> </table> <p>Luminous color: Orange</p> <p>Dimensions, mm:</p> <p>Do not use the LED lamp for other types.</p>	Type	Lamp voltage	AR9N001-HA	110V AC	AR9N001-KA	120V AC	AR9N001-MA	220V AC	AR9N001-PA	240V AC																					
Type	Lamp voltage																															
AR9N001-HA	110V AC																															
AR9N001-KA	120V AC																															
AR9N001-MA	220V AC																															
AR9N001-PA	240V AC																															
LED lamp for DR30 (square type)	<table border="1"> <thead> <tr> <th>Type</th> <th>Lamp voltage</th> </tr> </thead> <tbody> <tr> <td>DN6Q005-6 □</td> <td>6V DC</td> </tr> <tr> <td>DN6Q005-2 □</td> <td>12V AC</td> </tr> <tr> <td>DN6Q005-B □</td> <td>12V AC/DC</td> </tr> <tr> <td>DN6Q005-E □</td> <td>24V AC/DC</td> </tr> </tbody> </table> <p>Replace the □ mark by the luminous color code</p> <table border="1"> <thead> <tr> <th>Luminous color</th> <th>Yellow</th> <th>Red</th> <th>Green</th> </tr> </thead> <tbody> <tr> <td>Code</td> <td>Y</td> <td>R</td> <td>G</td> </tr> <tr> <td>Lens color</td> <td>Y</td> <td>R</td> <td>G</td> </tr> </tbody> </table> <table border="1"> <thead> <tr> <th>Luminous color</th> <th>Amber</th> <th>Orange</th> </tr> </thead> <tbody> <tr> <td>Code</td> <td>Y</td> <td>W</td> </tr> <tr> <td>Lens color</td> <td>Y</td> <td>W</td> </tr> </tbody> </table> <p>Dimensions, mm:</p>  <p>Lamp base: BA9s/13</p> <p>Do not use the LED lamp for other types.</p>	Type	Lamp voltage	DN6Q005-6 □	6V DC	DN6Q005-2 □	12V AC	DN6Q005-B □	12V AC/DC	DN6Q005-E □	24V AC/DC	Luminous color	Yellow	Red	Green	Code	Y	R	G	Lens color	Y	R	G	Luminous color	Amber	Orange	Code	Y	W	Lens color	Y	W
Type	Lamp voltage																															
DN6Q005-6 □	6V DC																															
DN6Q005-2 □	12V AC																															
DN6Q005-B □	12V AC/DC																															
DN6Q005-E □	24V AC/DC																															
Luminous color	Yellow	Red	Green																													
Code	Y	R	G																													
Lens color	Y	R	G																													
Luminous color	Amber	Orange																														
Code	Y	W																														
Lens color	Y	W																														

Pushbuttons/Selectors/Pilot Lights AR22/DR22 and AR30/DR30 Accessories

04


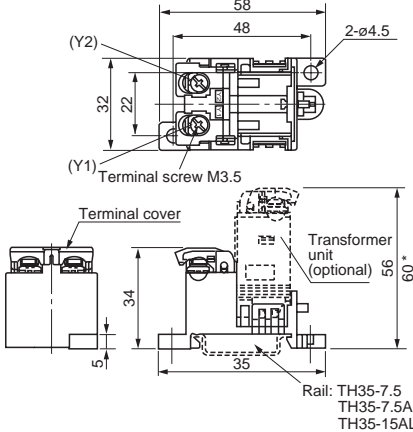



Description	Type		
 <small>AF89-427</small>	Type	Lamp voltage	Rated voltage, consumption
	AHX135	5.5V AC/DC	6.3V AC/DC, 1W
	AHX279	15V AC/DC	18V AC/DC, 1W
	AHX144	20V AC/DC	24V AC/DC, 1W
	AHX129	24V AC/DC	30V AC/DC, 1W
Dimensions, mm: <div style="text-align: center; margin-top: 10px;">  <p>Lamp base: BA9s/13</p> </div>			
 <small>KK02-115A</small>	Type	Lamp voltage	Rated voltage, consumption
	AHX130	15V AC/DC	18V AC/DC, 2W
Dimensions, mm: <div style="text-align: center; margin-top: 10px;">  <p>Lamp base: E12/15</p> </div>			
 <small>AF94-455</small>	AR9B290 AR9B290-S	Standard Overlap	
	Color: Blue Dimensions, mm: 19.3 x 29 x 27 Note: Terminal cover is not supplied with this.		
 <small>AF94-455</small>	AR9B291 AR9B291-S	Standard Overlap	
	Color: Red Dimensions, mm: 19.3 x 29 x 27 Note: Terminal cover is not supplied with this.		
 <small>AF94-456</small>	AR9B292	Standard Overlap	
	Color: Black Dimensions, mm: 19.3 x 29 x 27 Note: Terminal cover is not supplied with this.		






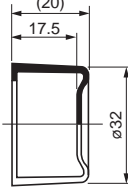

Description	Type					
 <small>KK02-117A</small>  <small>KK02-118A</small>  <small>AF94-457</small>  <small>AF95-33</small>	Type	Used with *				
	AR9D001-1	AR22, 1-step contact				
	AR9D001-2	AR22, 2-step contact				
	AR9D002-1	AR30, 1-step contact				
	AR9D002-2	AR30, 2-step contact				
	<ul style="list-style-type: none"> The contact is covered with a silicon rubber cover to keep out foreign matter such as dust, etc. Section A of the AR9D001 is separate. * See page 04/122, "AR22 □ Z8, AR30 □ Z8"					
	Dimensions, mm: <div style="margin-top: 10px;">  </div>					
	<div style="margin-top: 10px;">  <p style="text-align: right; margin-right: 10px;">Part A</p> </div>					
	<div style="margin-top: 10px;">  </div>					
	<div style="margin-top: 10px;">  </div>					
Transformer unit	Type	Primary voltage	Used with			
	AR9T511-H	100-110V AC	Standard type (except buzzers)			
	AR9T511-L	115-127V AC				
	AR9T511-M	200-220V AC				
	AR9T511-Q	230-254V AC				
	AR9T511-S	350-380V AC				
	AR9T511-T	400-440V AC				
	AR9T511-V	480V AC				
	AR9T511-W	500-550V AC				
	AR9T557-H	100-110V AC				
	AR9T557-L	115-127V AC				
	AR9T557-M	200-220V AC				
	AR9T557-Q	230-254V AC				
	AR9T557-S	350-380V AC				
	AR9T557-T	400-440V AC				
	AR9T557-V	480V AC				
	AR9T557-W	500-550V AC				
Dimensions, mm: <div style="margin-top: 10px;"> <table style="width: 100%; border: none;"> <tr> <td style="padding-right: 20px;">Up to 220 V</td> <td>22.4 x 30 x 45</td> </tr> <tr> <td>Over 220 V</td> <td>25.3 x 29 x 48</td> </tr> </table> </div>			Up to 220 V	22.4 x 30 x 45	Over 220 V	25.3 x 29 x 48
Up to 220 V	22.4 x 30 x 45					
Over 220 V	25.3 x 29 x 48					
Note: With terminal cover						

Pushbuttons/Selectors/Pilot Lights



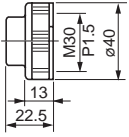
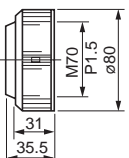


AR22/DR22 and AR30/DR30






Accessories

Description	Type									
Base unit for transformer separate mounting 	AR9T003 Use this base in combination with a transformer unit. This base unit can be mounted using screws or rails. Dimensions, mm 									
Resistor Voltage stabilizer Device for LED lamp flickering 	Resistor: AR9T519-H (110V DC) Fit this resistor when using LED of 24V DC rating with 110V DC power. Voltage stabilizer: AR9T001-E This unit allows an LED lamp of 24V DC rating to be used in a circuit with voltage from 27V to 35V (AC or DC). Flickering device: 6V AC: AR9T002-A 6V DC: AR9T002-6 12 to 24V AC: AR9T002-G * 12 to 24V DC: AR9T002-E * * Used in combination with 12V, 15V, or 24V rated LED lamp. Note: With terminal cover									
Nut  	<table border="1"> <thead> <tr> <th>Type</th> <th>Used with</th> <th>Dimensions, mm</th> </tr> </thead> <tbody> <tr> <td>AR9R744</td> <td>AR22, DR22*</td> <td>ø29.7 x 4</td> </tr> <tr> <td>DR9R001</td> <td>DR30F4M DR30F4N DR30M4M</td> <td>ø33.8 x 5</td> </tr> </tbody> </table> * Except AR22VG□, Joy stick selectors, buzzers and numerical indicators	Type	Used with	Dimensions, mm	AR9R744	AR22, DR22*	ø29.7 x 4	DR9R001	DR30F4M DR30F4N DR30M4M	ø33.8 x 5
Type	Used with	Dimensions, mm								
AR9R744	AR22, DR22*	ø29.7 x 4								
DR9R001	DR30F4M DR30F4N DR30M4M	ø33.8 x 5								

Description	Type												
Nut for 30mm dia. types (Resin types are black, metallic types are silver.)    	AR9R001 : Resin types are black (standard) AHX088 : Metallic types are silver Used with: AR30F0R, F5R, FAR, FBR, E0R, E5R, EAR, EBR, E0L, E5L, Q7L DR30D0L, E3L, K0L AR9R002 : Resin types are black (standard) AHX093 : Metallic types are silver Used with: AR30M0R, M5R, M4R, G0R, G5R, N0R, S□R, V□R, Q2R, V□L, PR, PCR, WR, WCR, JR, JCR, JAR, PL, A□N, A□H												
Water-tight cap for 22mm dia. types 	AR9D797 -□ This rubber cap protects the operator and switch mechanism against dust and water. Use this cap in a dusty or moist environment. Used with: AR22E0L, E5L AR22E0R, E5R Replace the □ mark by the luminous color code. <table border="1"> <thead> <tr> <th>Code</th> <th>Color</th> </tr> </thead> <tbody> <tr> <td>G</td> <td>Green</td> </tr> <tr> <td>R</td> <td>Red</td> </tr> <tr> <td>B</td> <td>Black</td> </tr> <tr> <td>Y</td> <td>Yellow</td> </tr> <tr> <td>Blank</td> <td>Clear (standard)</td> </tr> </tbody> </table> Dimensions, mm: 	Code	Color	G	Green	R	Red	B	Black	Y	Yellow	Blank	Clear (standard)
Code	Color												
G	Green												
R	Red												
B	Black												
Y	Yellow												
Blank	Clear (standard)												
Water-tight cap for 30mm dia. types 	AHX052 This rubber cap protects the operator and switch mechanism against dust and water. Use this cap in a dusty or moist environment. The only color available is transparent. Used with: AR30E□R, E□L Dimensions, mm: ø36 x 22.5												

Pushbuttons/Selectors/Pilot Lights AR22/DR22 and AR30/DR30 Accessories

Description	Type																																																																
Dust-proof cap for 30mm dia. types	<table border="1"> <thead> <tr> <th>Type</th> <th>Color</th> <th>Used with</th> <th>Spec.</th> </tr> </thead> <tbody> <tr> <td>AHX032</td> <td>Red</td> <td>AR30E0R</td> <td>Oil-proof</td> </tr> <tr> <td>AHX033</td> <td>Green</td> <td></td> <td></td> </tr> <tr> <td>AHX034</td> <td>Black</td> <td></td> <td></td> </tr> <tr> <td>AHX041</td> <td>Red</td> <td>AR30F0R</td> <td>Oil-proof</td> </tr> <tr> <td>AHX042</td> <td>Green</td> <td></td> <td></td> </tr> <tr> <td>AHX043</td> <td>Black</td> <td></td> <td></td> </tr> <tr> <td>AHX157-R</td> <td>Red</td> <td>AR30B2R,</td> <td>Oil-proof</td> </tr> <tr> <td>AHX157-G</td> <td>Green</td> <td>B3R</td> <td></td> </tr> <tr> <td>AHX157-B</td> <td>Black</td> <td></td> <td></td> </tr> <tr> <td>AHX113-R</td> <td>Red</td> <td>AR30E0R</td> <td>Weather resistance</td> </tr> <tr> <td>AHX113-G</td> <td>Green</td> <td></td> <td></td> </tr> <tr> <td>AHX113-B</td> <td>Black</td> <td></td> <td></td> </tr> <tr> <td>AHX111-R</td> <td>Red</td> <td>AR30F0R</td> <td>Weather resistance</td> </tr> <tr> <td>AHX111-G</td> <td>Green</td> <td></td> <td></td> </tr> <tr> <td>AHX111-B</td> <td>Black</td> <td></td> <td></td> </tr> </tbody> </table>	Type	Color	Used with	Spec.	AHX032	Red	AR30E0R	Oil-proof	AHX033	Green			AHX034	Black			AHX041	Red	AR30F0R	Oil-proof	AHX042	Green			AHX043	Black			AHX157-R	Red	AR30B2R,	Oil-proof	AHX157-G	Green	B3R		AHX157-B	Black			AHX113-R	Red	AR30E0R	Weather resistance	AHX113-G	Green			AHX113-B	Black			AHX111-R	Red	AR30F0R	Weather resistance	AHX111-G	Green			AHX111-B	Black		
	Type	Color	Used with	Spec.																																																													
	AHX032	Red	AR30E0R	Oil-proof																																																													
	AHX033	Green																																																															
	AHX034	Black																																																															
	AHX041	Red	AR30F0R	Oil-proof																																																													
	AHX042	Green																																																															
	AHX043	Black																																																															
	AHX157-R	Red	AR30B2R,	Oil-proof																																																													
	AHX157-G	Green	B3R																																																														
	AHX157-B	Black																																																															
	AHX113-R	Red	AR30E0R	Weather resistance																																																													
	AHX113-G	Green																																																															
	AHX113-B	Black																																																															
	AHX111-R	Red	AR30F0R	Weather resistance																																																													
AHX111-G	Green																																																																
AHX111-B	Black																																																																
	SC-993																																																																
	AF89-772																																																																
<p>Dimensions, mm:</p> <p>AHX032 to 034, 041 to 043 AHX111, 113</p>  <p>AHX157</p>  <p>Used for sealing the operator from foreign debris such as dust, oil (oil-proof), and water (weather resistance) in environments where the unit is in contact with such elements.</p>																																																																	
Packing	<p>AR9Y730: AR22 and DR22 (Rubber)</p> <p>Note: Except for joystick selector switches, buzzers</p> <p>AHX282: AR30 and DR30 (Resin-standerd)</p> <p>Note: Except for DR30F4M, F4N, M4M, numerical indicators</p> <p>AHX149: AR30 and DR30 (Rubber)</p> <p>Note: Except for DR30F4M, F4N, M4M, numerical indicators</p>																																																																
	AF94-462																																																																
	KK2-125A																																																																

Description	Type												
Terminal cover	<table border="1"> <thead> <tr> <th>Type</th> <th>Used with</th> <th>Dimensions, mm</th> </tr> </thead> <tbody> <tr> <td>AR9Y305</td> <td>Contact unit Lamp terminal Transformer unit *1</td> <td>18.4 x 29 x 8.4</td> </tr> <tr> <td>DR9Y320</td> <td>Pilot lights *2 (without transformer)</td> <td>ø22 x 5.8</td> </tr> <tr> <td>DR9Y321</td> <td>DR30F4M, F4N, M4M (without transformer)</td> <td>34 sq. x 8.7</td> </tr> </tbody> </table>	Type	Used with	Dimensions, mm	AR9Y305	Contact unit Lamp terminal Transformer unit *1	18.4 x 29 x 8.4	DR9Y320	Pilot lights *2 (without transformer)	ø22 x 5.8	DR9Y321	DR30F4M, F4N, M4M (without transformer)	34 sq. x 8.7
	Type	Used with	Dimensions, mm										
AR9Y305	Contact unit Lamp terminal Transformer unit *1	18.4 x 29 x 8.4											
DR9Y320	Pilot lights *2 (without transformer)	ø22 x 5.8											
DR9Y321	DR30F4M, F4N, M4M (without transformer)	34 sq. x 8.7											
	AF94-466												
	KK2-126A												
Terminal cover	<table border="1"> <thead> <tr> <th>Type</th> <th>Used with</th> <th>Dimensions, mm</th> </tr> </thead> <tbody> <tr> <td>AHX305</td> <td>Buzzers (without transformer)</td> <td>23.5 x 27.5 x 16</td> </tr> <tr> <td>AHX426</td> <td>DR30D1L (without transformer)</td> <td>27.5 x 31 x 8</td> </tr> <tr> <td>AHX376</td> <td>DR30D1L (with transformer) Buzzers (B0 type)</td> <td>13 x 29 x 6.5</td> </tr> </tbody> </table> <p>With transformer * With short-body transformer With resistor unit</p> <p>* 230V and over</p> <p>The terminal cover is provided as standard with the applicable types listed above.</p>	Type	Used with	Dimensions, mm	AHX305	Buzzers (without transformer)	23.5 x 27.5 x 16	AHX426	DR30D1L (without transformer)	27.5 x 31 x 8	AHX376	DR30D1L (with transformer) Buzzers (B0 type)	13 x 29 x 6.5
Type	Used with	Dimensions, mm											
AHX305	Buzzers (without transformer)	23.5 x 27.5 x 16											
AHX426	DR30D1L (without transformer)	27.5 x 31 x 8											
AHX376	DR30D1L (with transformer) Buzzers (B0 type)	13 x 29 x 6.5											
	AHX305 SG-842												
	AHX426 AF92-339												
	AHX376 SG-5												

04

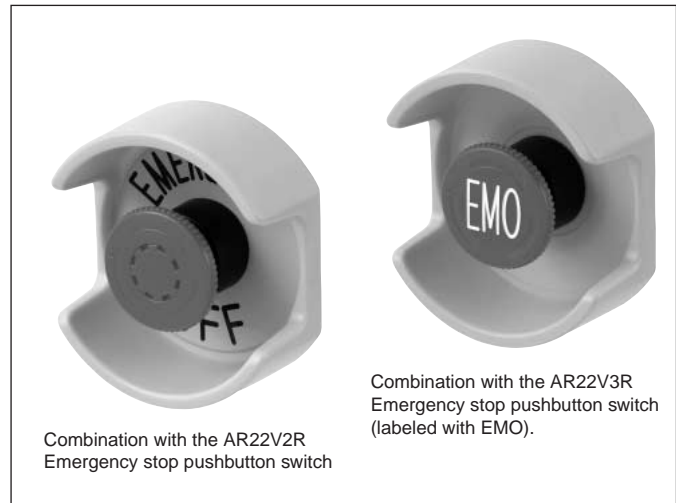
Pushbuttons/Selectors/Pilot Lights/Buzzers

AR22 Special products



Semi standard compliant guarding

■ Features


- Combine a guard ring with a Fuji electric emergency stop pushbutton switches to comply with SEMI (SEMI-S2, SEMATECH Application Guide for SEMI S2-93).
- EMERGENCY OFF legend plates are available.
- Emergency stop pushbutton switches labeled with "EMO" are available.



■ Accessories

Description	Type	Color
 (KKD05-263)	AR9R008	Yellow
Legend plate for AR9R008 emergency off  (KKD05-262)	AR9P721-5C	Yellow (Black legend)

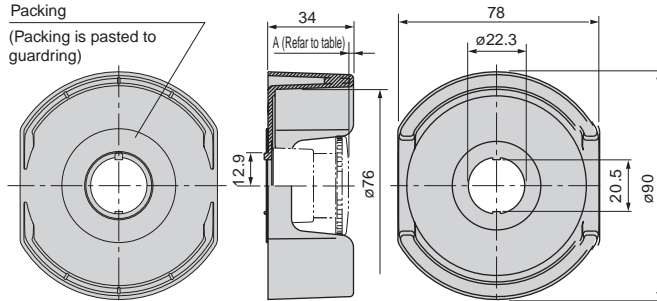
■ Emergency stop pushbutton switches

Operator	Contact	Type	Color
 (KKD05-261)	1NC	AR22V3R-01RZ286	Red (White legend)
	1NO+1NC	AR22V3R-11RZ286	
	2NC	AR22V3R-02RZ286	
	1NO+2NC	AR22V3R-12RZ286	
	3NC	AR22V3R-03RZ286	
	1NO+3NC	AR22V3R-13RZ286	
	2NO+2NC	AR22V3R-22RZ286	
	4NC	AR22V3R-04RZ286	

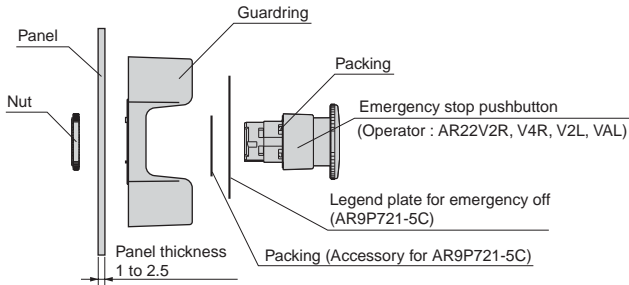
Note : Contact arrangements indicated in the table can be supplied.

■ Dimensions, mm

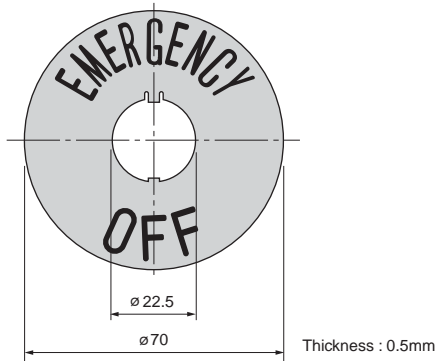
● Guardring (AR9R008)



● Installation



● Legend plate for emergency off (AR9P721-5C)



Note : • Engraving for marking letters is not available.
• Letter height : 13mm

■ Notes on use

This guardring conform to SEMI standard. Please do not use it for the emergency stops other than Semiconductor manufacturing Equipment.

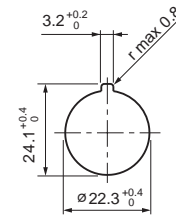
■ Applicable types

AR22V2R, V4R, V2L, VAL and V3R Z286

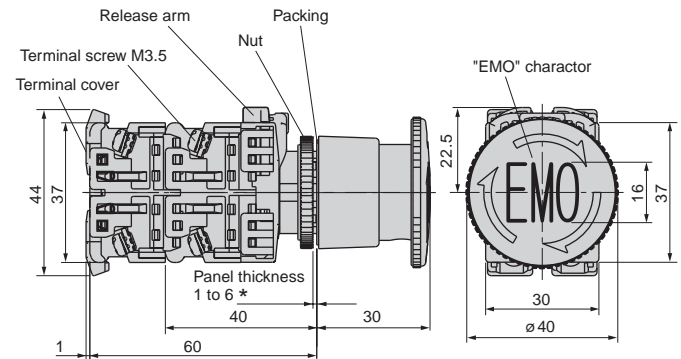
* Dimension A (the height difference between the switch and guardring) depends on the emergency stop (Illuminated) pushbutton switch that is being used. Refer to the following table.

Type	Panel thickness	A (Reference)	
AR22V2R	1~2.5	2mm	With AR9P721-5C
AR22V4R	1~2.5	2mm	With AR9P721-5C
AR22V2L	1~2.5	2mm	With AR9P721-5C
AR22VAL	1~2.5	2mm	With AR9P721-5C
AR22V3R (Z286)	1~3.6	3mm	

● Panel cutout hole dimensions, mm



● Emergency stop pushbutton switches (AR22V3R-□□RZ286)



* Without accessories

Pushbuttons/Selectors/Pilot Lights/Buzzers

AR22/DR22 and AR30/DR30

Special products

Products equipped with contact protection cover

■ Features

A silicon rubber cover is provided for the contact block to keep out foreign matter such as dust, etc.
Other ratings and specifications are the same as those of the standard type.

■ Type

AR22 □ Z8

AR30 □ Z8

Specify "Z8" at the end of the type number of the standard type.

■ Dimensions

The only thing different from the standard product is the addition of a 1-mm thick silicon rubber cover around the contact block.

■ Applicable types

Type	Contact arrangement	Remarks
• Pushbuttons *1	1NO+1NC,	For use with a 1-step contact
• Emergency stop pushbuttons *2	2NO*5, 2NC	
• Selectors *3	1NO+3NC, 2NO+2NC,	For use with a 2-step contact
	3NO+1NC, 4NO*5, 4NC	
• Illuminated pushbuttons *4 (without transformer)	1NO*6, 1NC	For use with a 1-step contact
• Emergency stop illuminated pushbuttons*2 (without transformer)	1NO+2NC, 2NO+1NC,	For use with a 2-step contact
• Illuminated selectors (without transformer)	3NO*6, 3NC	

Notes: *1 Except for AR30B0R, B1R, B2R, B3R, N0R, and GPR.

*2 Except for unibody (VG types)

*3 Except for AR30HR

*4 Except for AR30Q7L

*5 Except for emergency stop pushbutton switch

*6 Except for emergency stop illuminated pushbutton switch

Resisting water-soluble cutting oils and heat

■ Features

Safer operation in environments exposed to water-miscible cutting fluids, machining oils, lubricating oils, cleaning oils and high humidity (up to 95%) is made possible by using materials that protect against rust and corrosion of components.
Other ratings and specifications are the same as those of the standard type.

■ Type

AR22 □ Z9, DR22 □ Z9

AR30 □ Z9, DR30 □ Z9

Specify "Z9" at the end of the type number of the standard type.

■ Dimensions

Same as those of the standard type

■ Applicable types

• AR22, DR22 series

AR 22 (Except for joy stick selectors, FAR, FBR, EAR, EBR types and VG types)

DR22 (Except for pilot lights with resistor unit and buzzers)

• AR30, DR30 series

AR30 (Except for Q7L, FAR, FBR, EAR, EBR, HR types and joy stick selectors)

DR30 (Except for D1L, F4M, F4N, M4M types, pilot lights with resistor/resistor unit and buzzers)

Meeting IP2X finger protection standards

■ Features

Conforms to EN standard EN60204-1 (protecting against electric shock). The terminal has IEC60529 degree of protection; IP2X finger protection secured (a mock human finger used in testing did not come into contact with charged parts). The contact block and lamp terminal can be easily mounted or removed with the terminal cover mounted.

■ Type

AR22 □ ZB, DR22 □ ZB

AR30 □ ZB, DR30 □ ZB

Specify "ZB" at the end of the type number of the standard type.

■ Accessories

- Contact block (plus terminal cover)
 NO contact: AR9B290-D
 NC contact: AR9B291-D
- Transformer unit (plus terminal cover)
 AR9T511-□ D

■ Ratings and specifications

- Protection degree: IP2X
- Terminal screw: M3.5
 Wiring can be done with a solid wire or fork shaped crimp terminal.

Note: Ring-type crimp terminals cannot be used.

- Other ratings and specifications are the same as those of the standard type.

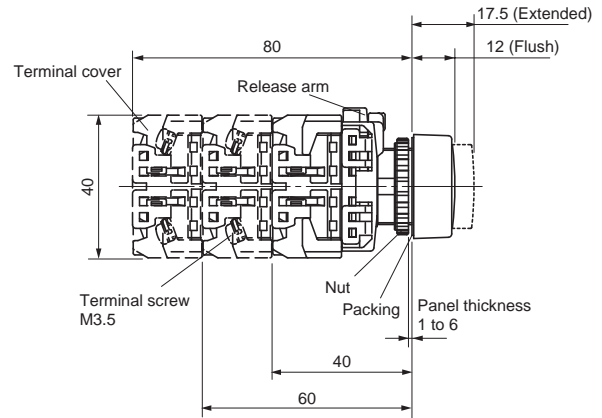
■ Applicable types

- AR22, DR22 series
 AR22 (except for joy stick selectors)
 DR22: Without transformer, with transformer (except for short-body types, buzzers and numerical indicators)
- AR30, DR30 series
 AR30 (except for HR and joy stick selectors)
 DR30: Without transformer, with transformer (except for D1L, F4M, F4N, M4M types and buzzers)

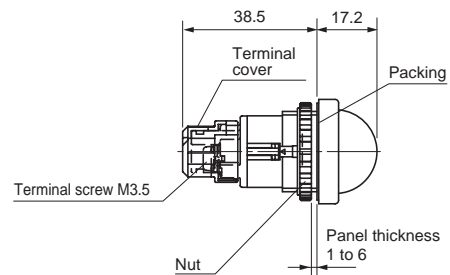
Note: The terminal of the standard type VG has IP2X protection.

■ Dimensions, mm

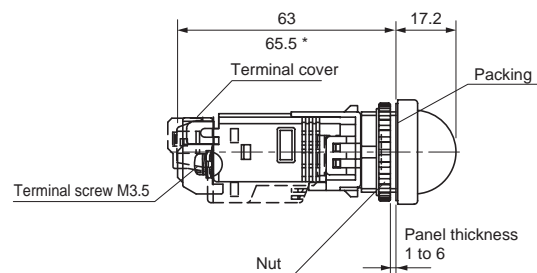
AR22/Pushbutton switches



DR22/Without transformer



DR22/With transformer



Note: * Except for the types 110V AC, 127V AC and 220V AC.

Pushbuttons/Selectors/Pilot Lights/Buzzers

AR22/DR22 and AR30/DR30

Special products

Metal nut (chrome plated) types

■ Features

The nut is a metallic ring (chrome plated).
Other ratings and specifications are the same as those of the standard model.

■ Type

AR30 ZM

DR30 ZM

Specify "ZM" at the end of the type number of the standard type.

■ Dimensions, mm

Same as those of the standard types.

■ Applicable types

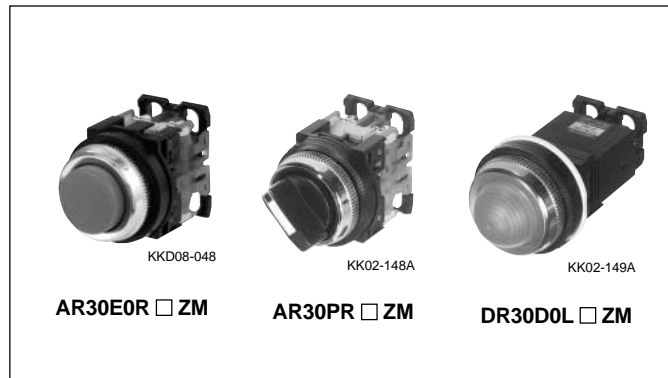
• AR30, DR30 series

AR30 (except for G4L, G9L, GSR*1, GPR*1, BOR*1, and HR*1 types)

DR30 with round bezel (except for IP54 buzzer type B8)*2

Notes: *1 Standard type is a metallic ring (chrome plated).

*2 The nut of types DR30B0, B5 and B6 buzzers are resin (chrome plated).



Resisting sulfuration gas

■ Features

These products can be used in environments having a concentration of hydrogen sulfide gas of 0.5 ppm or less. The metallic parts have been subjected to an anti-corrosion treatment (see note).

The contacts of the AR series are gold plated.

Note: The body is made of resin and cannot be used with gases that affect resins (plastics).

■ Type

AR22 Z4, DR22 Z4

AR30 Z4, DR30 Z4

Specify "Z4" at the end of the type number of the standard type.

■ Notes on use

- This product is resistant to light corrosive gas exposure.
- Other measures, such as covering the entire switch with a box, and the degree of protection of the panel should be taken into consideration.

■ Ratings and specifications

Hydrogen sulfide gas concentration of 0.5 ppm max.

Ambient storage temperature: 8 to 37°C

Humidity: 62 to 81%

Other ratings and specifications are the same as those of the standard type.

■ Dimensions, mm

Same as those of the standard types.

■ Applicable types

• AR22, DR22 series

AR22 (except for Joy stick selectors and VG type)

DR22 (except for pilot lights with resistor unit and buzzers)

• AR30, DR30 series

AR30 (except for HR and Joy stick selectors)

DR30 (except for F4M, F4N, M4M types, pilot lights with resistor/resistor unit and buzzers)

■ Mass, gram

● Illuminated pushbuttons

Type	Without transformer			With transformer *	
	1NO (1NC)	2NO (2NC) (1NO+1NC)	2NO+2NC	1NO (1NC)	2NO (2NC) (1NO+1NC)
AR22F0L	39	48	67	85	94
F5L	39	48	–	85	94
F0M, F0P	40	49	68	86	95
F5M, F5P	40	49	–	86	95
E0L	41	50	69	87	96
E5L	41	50	–	87	96
E0M, E0P, M4L, G1L, G2L, G4L	42	51	70	88	97
E5M, E5P, M9L, G6L, G7L, G9L	42	51	–	88	97
M4P	43	52	71	89	98
M0L	44	53	72	90	99
M5L	44	53	–	90	99
V5L	48	57	–	94	103

Note: * 230V and over : +17grams

● Pushbuttons

Type	1NO (1NC)	2NO (2NC) (1NO+1NC)	2NO+2NC
AR22F0R, FAR, F5R, FBR	27	36	55
E0R, EAR, F0S, F0Y, G0R	28	37	56
E5R, EBR, F5S, F5Y, G5R			
E0S, E0Y, M4R, G2R	29	38	57
E5S, E5Y, M9R, G7R			
M0R, M5R	31	40	59
S1R, S2R, S3R, S6R	–	43	62
M3R, M8R	44	53	72
V5R	49	58	77

● Emergency stop pushbuttons

Type	1NC	2NC (1NO+1NC)	2NO+2NC
AR22VSR	34	43	62
V0R, V4R	36	45	64
Q2R	36	45	–
V2R	38	47	66
V7R	59	68	87
VGE	61	65	–

● Emergency stop illuminated pushbuttons

Type	Without transformer		With transformer *	
	1NC	2NC (1NO+1NC)	1NC	2NC (1NO+1NC)
AR22VSL, VDL	48	57	94	103
V0L	49	58	95	104
VAL	50	59	96	105
V2L	51	60	97	106
VGF	66	70	–	–

Note: * 230V and over : +17grams

Pushbuttons/Selectors/Pilot Lights/Buzzers

AR22 and DR22

Mass

■ Mass, gram

● Pilot lights

Type	Without transformer		With transformer		With resistor unit
	Standard	Short-body	Standard *	Short-body	
DR22D0L, K0L	18	23	70	68	32
E3L, E3P, F3M, F4M	19	24	71	69	33
F5M	20	25	72	70	34
E3M	21	26	73	71	35
E3N	23	28	75	73	37

Note: * 230V and over : +17grams

● Selector switches

Type	1NO	2NO	2NO+2NC
	(1NC)	(2NC) (1NO+1NC)	
AR22PR	30	39	58
PCR	–	39	58
WR	31	40	59
WCR	–	40	59
RR, PY, WY	32	41	60
RCR, PCY, WCY	–	41	60
RY	33	42	61
RCY	–	42	61
JR, JAR	56	65	83
JCR	–	65	83
JY	57	66	84
JCY	–	66	84

● Illuminated selector switches

Type	Without transformer			With transformer *	
	1NO	2NO	2NO+2NC	1NO	2NO
	(1NC)	(2NC) (1NO+1NC)		(1NC)	(2NC) (1NO+1NC)
AR22PL	42	51	70	88	97
PP	43	52	71	89	98

Note: * 230V and over : +17grams

● Joy stick selector switches

• Screw terminal types

Type	1NO x2	(1NO+1NC) x2	1NO x4	(1NO+1NC) x4
AR22A2N, A7N	89	99	116	136
A0N, A5N	99	109	126	146
A1N, A6N	112	122	139	159

• Solder/tab terminal types

Type	(1NO+1NC) x2	(2NO+2NC) x2	(1NO+1NC) x4	(2NO+2NC) x4
AR22A2H, A7H	72	75	82	88
A0H, A5H	82	85	92	98
A1H, A6H	95	98	105	111

● Buzzers

Type	Without transformer	With transformer	With resistor unit
DR22B5	50	105	52
B8	53	108	55
B3	66	121	–

■ Mass, gram

● Illuminated pushbuttons

Type	Without transformer			With transformer *	
	1NO (1NC)	2NO (2NC) (1NO+1NC)	2NO+2NC	1NO (1NC)	2NO (2NC) (1NO+1NC)
AR30E0L	49	58	77	95	104
E5L	49	58	–	95	104
G4L	50	59	78	96	105
G9L	50	59	–	96	105
V5L	56	65	–	102	111
G2L	66	75	94	112	121
G7L	66	75	–	112	121
G3L	72	81	100	118	127
G8L	72	81	–	118	127
Q7L	–	159	–	–	205

Note: * 230V and over : +17grams

● Pushbuttons

Type	1NO (1NC)	2NO (2NC) (1NO+1NC)	2NO+2NC
AR30F0R, FAR, F5R, FBR	36	45	64
E0R, EAR, G0R, E5R, EBR, G5R	37	46	65
M4R	38	47	66
M0R, M5R	40	49	68
V5R	42	51	70
S1R, S2R, S3R, S6R	–	53	72
FVR	54	63	82
G1R, G6R	59	68	87
N0R	96	105	124
GPR	116	125	144
GSR, B0R	123	132	151
M3R, M8R	126	135	154
B1R	241	250	269
B3R	279	288	307
B2R	291	300	319

● Emergency stop pushbuttons

Type	1NC	2NC (1NO+1NC)	2NO+2NC
AR30V0R	43	52	71
Q2R	45	54	–
V2R	46	55	74
V1R	60	69	88

● Emergency stop illuminated pushbuttons

Type	Without transformer		With transformer *	
	1NC	2NC (1NO+1NC)	1NC	2NC (1NO+1NC)
AR30V0L	57	66	103	112
V2L	59	68	105	114

Note: * 230V and over : +17grams

Pushbuttons/Selectors/Pilot Lights/Buzzers

AR30 and DR30

Mass

■ Mass, gram

● Pilot lights

• Without transformer type, With transformer type, With resistor unit type

Type	Without transformer		With transformer	
	Standard	Short-body	Standard *1	Short-body
DR30D0L, K0L	28		80	78
E3L	29		81	79
F4M *2	32 (30)		84 (82)	–
F4N *2	34 (30)		86 (82)	–
M4M *2	37 (32)		88 (84)	–
D1L	94		164	–
				With resistor unit
				42
				43
				46
				48
				50
				111

Notes: *1 230V and over : +17grams

*2 (): Incandescent lamp

• With resistor type

Type	50V DC	110V DC 220V DC
DR30D0L, K0L (LED)	103	103
D0L, K0L (incandescent)	107	179

● Selector switches

Type	1NO (1NC)	2NO (2NC) (1NO+1NC)	2NO+2NC
AR30PR, WR	41	50	69
PCR, WCR	–	50	69
JR, JAR	67	76	94
JCR	–	76	94
HR	125	135	153(166)

Note: () : AR30HR-122

● Illuminated selector switches

Type	Without transformer			With transformer *	
	1NO (1NC)	2NO (2NC) (1NO+1NC)	2NO+2NC	1NO (1NC)	2NO (2NC) (1NO+1NC)
AR30PL	52	61	80	98	107

Note: * 230V and over : +17grams

● Joy stick selector switches

• Screw terminal type

Type	1NO x2	(1NO+1NC) x2	1NO x4	(1NO+1NC) x4
AR30A2N, A7N	100	110	127	147
A0N, A5N	110	120	137	157
A1N, A6N	124	134	151	171

• Solder/tab terminal type

Type	(1NO+1NC) x2	(2NO+2NC) x2	(1NO+1NC) x4	(2NO+2NC) x4
AR30A2H, A7H	83	86	93	99
A0H, A5H	93	96	103	109
A1H, A6H	107	110	117	123

● Buzzers

Type	Without transformer	With transformer	With resistor unit
DR30B5, B6	47	102	49 (Except B6)
B8	48	103	50
B0	86	–	–