

6

5

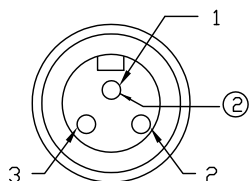
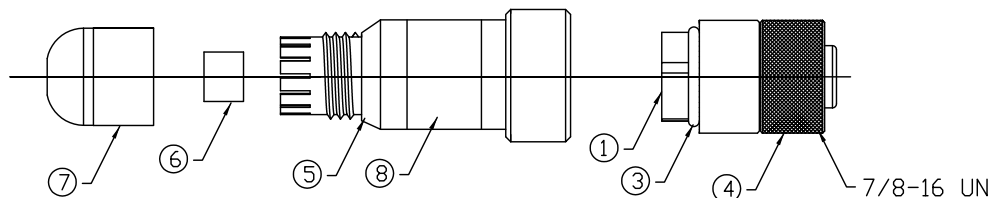
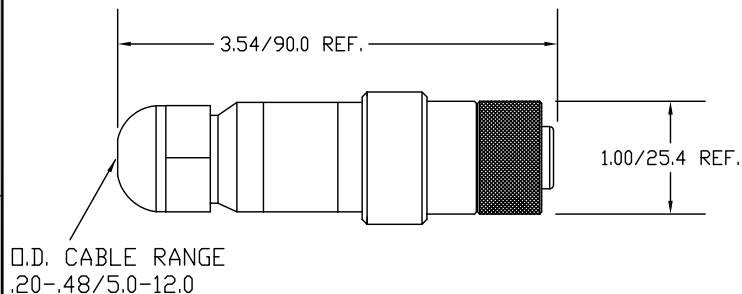
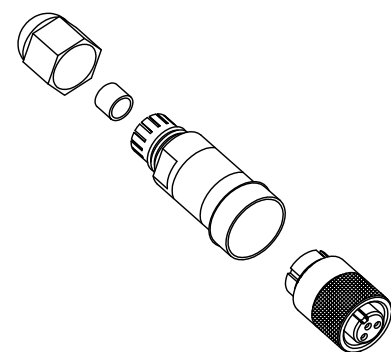
4

3

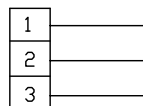
2

1

MATERIAL NUMBER	OLD PART NUMBER	COUPLING NUT MATERIAL	COUPLING NUT FINISH
130017-0007	1A3000-34PWR	BRASS	NICKEL PLATED



FEMALE FACE VIEW



WIRING CHART

WARNING LABEL:
MUST USE APPROVED CABLES PER
INSTALLATION INSTRUCTUIONS
PROVIDED WITH PRODUCT.

VOLTAGE RATING	600VAC
AMPERAGE RATING	15 AMPS
PROTECTION	IP67
OPERATING TEMPERATURE	-20°C TO 80°C
UL CERTIFICATIONS	UL LISTED AND CULUS LISTED, FILE NUMBER E258922

ITEM	COMPONENT	MATERIAL	FINISH
1	INSERT	NYLON	BLACK
2	CONTACTS	COPPER ALLOY	GOLD PLATED
3	O-RING	NITRILE	BLACK
4	COUPLING NUT	SEE CHART	SEE CHART
5	MOLDED BODY	NYLON	BLACK
6	GROMMET	NITRILE	BLACK
7	CORD GRIP BODY	NYLON	BLACK
8	WARNING LABEL	PLASTIC FILM	BLACK

EC NO: WNA2010-0430 DRWN: BWOODMAN 2010/01/13 CHKD: LH APPR: JFMURPHY 2010/01/15	REV	DESCRIPTION
	A	

QUALITY SYMBOLS ▽=0 ∇=0	GENERAL TOLERANCES (UNLESS SPECIFIED)	
	mm	INCH
	4 PLACES	±---
3 PLACES	±---	
2 PLACES	±0.13	
1 PLACE	±0.25	
ANGULAR ±1/2°		
DRAFT WHERE APPLICABLE MUST REMAIN WITHIN DIMENSIONS		

DIMENSION STYLE	IN/MM
DRAWN BY	DATE
CHECKED BY	DATE
APPROVED BY	DATE
MATERIAL NO.	SEE CHART
SIZE	A

SCALE	1:1
DESIGN UNITS	INCH
THIRD ANGLE PROJECTION	
TITLE	
MINI 3P FEMALE ATTACH BRAD POWER .20-.48 O.D. CABLE RANGE	
MOLEX INCORPORATED	
DOCUMENT NO.	SD-130017-010
SHEET NO.	1 OF 1
THIS DRAWING CONTAINS INFORMATION THAT IS PROPRIETARY TO MOLEX INCORPORATED AND SHOULD NOT BE USED WITHOUT WRITTEN PERMISSION	

6

5

4

3

2

1

E

E

D

D

C

C

B

B

A

A