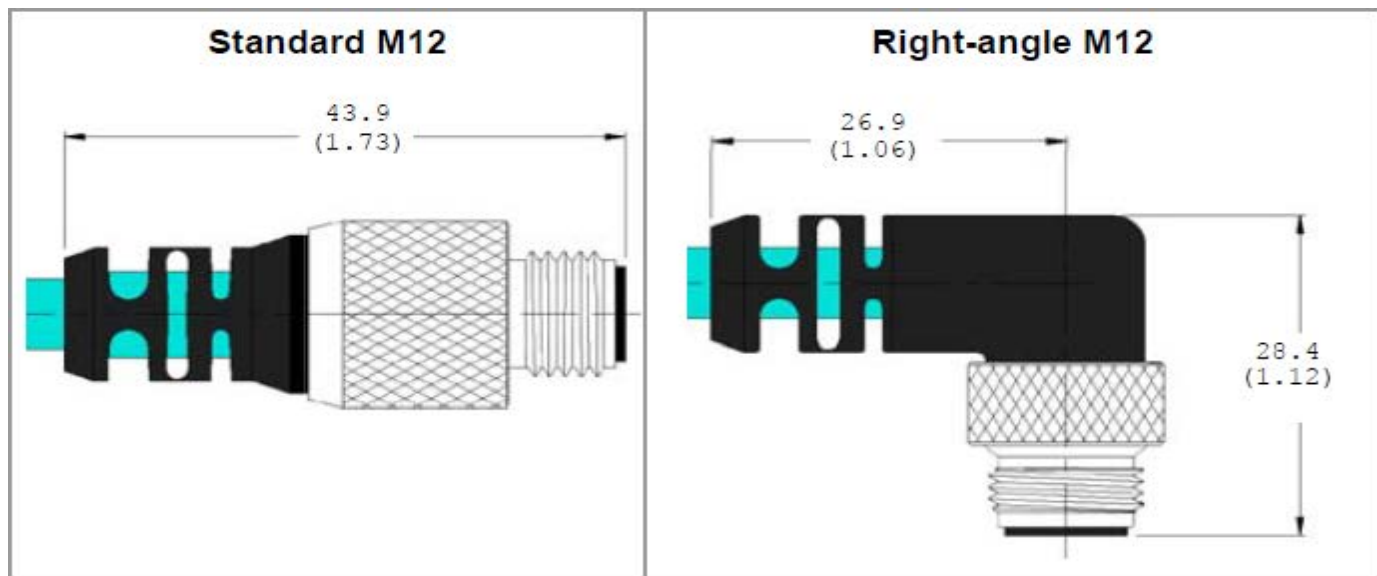


Cognex Ethernet Cables			
	Standard M12 Connector (Straight)	Right-angle M12 Connector (45-deg key)	Right-angle M12 Connector (135-deg key)
Length	Part Number	Part Number	Part Number
.6M (2 ft)	CCB-84901-1001-00	---	---
2M (6 ft)	CCB-84901-1002-02	CCB-84901-6005-02	CCB-84901-7005-02
5M (15 ft)	CCB-84901-1003-05	CCB-84901-6001-05	CCB-84901-7001-05
10M (30 ft)	CCB-84901-1004-10	CCB-84901-6002-10	CCB-84901-7002-10
15M (50 ft)	CCB-84901-1005-15	CCB-84901-6003-15	CCB-84901-7003-15
30M (99 ft)	CCB-84901-1006-30	CCB-84901-6004-30	CCB-84901-7004-30
All Ethernet cables are green and have M12-to-RJ45 connectors			



Color: Green
 Wire: Copper
 Insulation: Polypropylene
 Twisted: 2-wire twisted to a pair
 Jacket: Polyvinylchloride (PVC)
 Flame retardant: Yes
 Silicon free: Yes
 Oil resistant: Yes
 Bend cycles: > 10 million cycles
 Bend radius: 7.5x max @ 180m/min
 Temp range: -25°C to 80°C
 Torsion: Min 30,000 flexes
 +/- 180 degrees over 1 meter