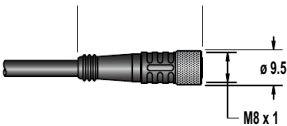
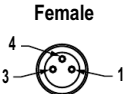
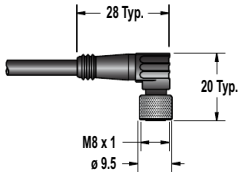
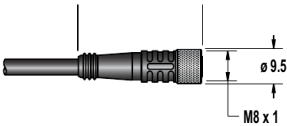
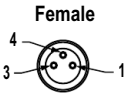


3-Pin Threaded M8/Pico-Style Cordsets

Cordset Specs	Style	Dimensions (mm)	Length	Cable Diameter	Model	Pinout
Cable: PVC jacket, PUR (polyurethane) connector body Coupling Nut: Nickel-plated brass Conductors: 24 AWG, gold-plated contacts Voltage/Current Rating: 125 V ac/dc, 4.0 A Temperature: -40° to +105° C Environmental Rating: IP67	Straight		2.00 m	4.40 mm	PKG3M-2	Female  1 = Brown 3 = Blue 4 = Black
			5.00 m		PKG3M-5	
			7.00 m		PKG3M-7	
			9.00 m		PKG3M-9	
			10.0 m		PKG3M-10	
	Right-Angle		2.00 m	PKW3M-2		
			5.00 m	PKW3M-5		
			9.00 m	PKW3M-9		

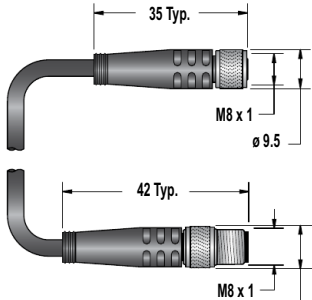
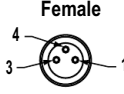
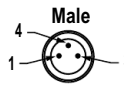
Used with: Q12, T8, SB12, VSM, VS1, VS2, VS3, SLM, IP68 Sealed Ring Light, On-axis Lights

3-Pin Threaded M8/Pico-Style Cordsets

Cordset Specs	Style	Dimensions (mm)	Length	Cable Diameter	Model	Pinout
Cable: PVC jacket and connector body Coupling Nut: Stainless steel Conductors: 24 AWG, gold-plated contacts Voltage/Current Rating: 125 V ac/dc, 4.0 A Temperature: -40° to +90° C Environmental Rating: IP67	Straight		4.00 m	4.40 mm	PKGV3M-4	Female  1 = Brown 3 = Blue 4 = Black
			7.00 m		PKGV3M-7	
			10.0 m		PKGV3M-10	

Used with: IP68 Sealed Ring Lights (stainless steel)

3-Pin Threaded/Snap M8/Pico-Style Cordsets – Double Ended

Cordset Specs	Style	Dimensions (mm)	Length	Cable Diameter	Model	Pinout
Cable: PVC jacket, PUR (polyurethane) connector body Coupling Nut: Nickel-plated brass (female) Nylon/nickel-plated brass (male) Conductors: 24 AWG, gold-plated contacts Voltage/Current Rating: 125 V ac/dc, 4.0 A Temperature: -40° to +105° C Environmental Rating: IP67	Straight		0.35 m	4.40 mm	PKG3M-.35-PSG3M	Female  Male  1 = Brown 3 = Blue 4 = Black
			2.00 m		PKG3M-2-PSG3M	

Used with: IP68 Sealed P4 (connect IP68 Sealed Ring Light to P4)

3-Pin Threaded M8/Pico-Style Splitter Cordset—Flat Junction

Cordset Specs	Branches	Trunk	Cable Diameter	Model	Pinout
Cable: PVC jacket, PUR (polyurethane) connector body Coupling Nut: Nickel-plated brass (female) Nylon/nickel-plated brass (male) Conductors: 24 AWG, gold-plated contacts Voltage/Current Rating: 125 V ac/dc, 4.0 A Temperature: -40° to +105° C Environmental Rating: IP67 Wiring: Parallel wired Y-cords	3-Pin Pico QD 2 x 0.20 m Female	0.20 m Male	4.40 mm	CSB-M831M831	Female Male 1 = Brown 3 = Blue 4 = Black
Dimensions (mm)					

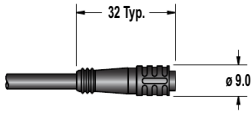

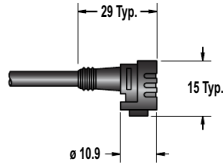
Used with: Connect P4 to two lights, Spot Lights, Area Lights, Backlights

3-Pin M8/Pico-Style and 4-Pin M12/Euro-Style to Flying Leads Splitter Cordset—Flat Junction

Cordset Specs	Branches	Trunk	Cable Diameter	Model	Pinout
Cable: PVC jacket, PUR (polyurethane) connector body Coupling Nut: Nickel-plated brass Conductors: 24 AWG (3-pin) or 22 AWG (4-pin), gold-plated contacts Voltage/Current Rating: 250 V ac/300 V dc, 4.0 A Temperature: -40° to +105° C Environmental Rating: IP67	3-Pin Pico QD 0.3 m Male 4-pin Euro QD 0.3 m Female	Flying Leads 4 m	4.40 mm (branches) 5.50 mm (trunk)	CSB-UNT213M831F1241	Female 1=Brown 2=White 3=Blue 4=Black Male 1 = NC 3 = Blue 4 = Black
Dimensions (mm)					

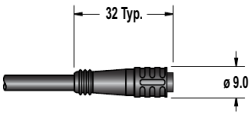

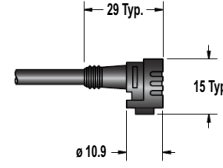
Used with: P4 to High Intensity Area Lights (to strobe from P4)

4-Pin Snap-on M8/Pico-Style Cordsets

Cordset Specs	Style	Dimensions (mm)	Length	Cable Diameter	Model	Pinout
Cable: PVC jacket, PUR (polyurethane) connector body, nylon coupling nut Coupling Nut: Nylon Conductors: 26 AWG, gold-plated contacts Voltage/Current Rating: 125 V ac/dc, 2.0 A Temperature: -40° to +90° C Environmental Rating: IP67	Straight		2.00 m	3.20 mm	PKG4-2	Female  1 = Brown 2 = White 3 = Blue 4 = Black
	Right-Angle		2.00 m	3.20 mm	PKW4Z-2	

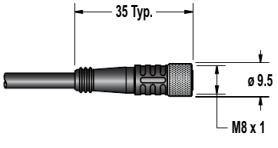

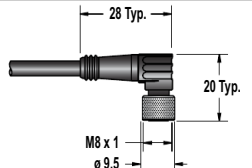
Used with: QS18 (Integral or Pigtail), Q20 (Integral or Pigtail), D12, D10A, DF-G1, S12

4-Pin Snap-On M8/Pico-Style Cordsets with Shield

Cordset Specs	Style	Dimensions (mm)	Length	Cable Diameter	Model	Pinout
Cable: PVC jacket, PUR (polyurethane) connector body, nylon or PUR coupling nut Coupling Nut: Nylon or PUR Conductors: 26 AWG (shielded), gold-plated contacts Voltage/Current Rating: 125 V ac/dc, 2.0 A Temperature: -40° to +90° C Environmental Rating: IP67	Straight		2.00 m	4.40 mm	PKG4S-2	Female  1 = Brown 2 = White 3 = Blue 4 = Black
	Right-Angle		2.00 m	4.40 mm	PKW4ZS-2	

Used with: QS18U

4-Pin Threaded M8/Pico-Style Cordsets

Cordset Specs	Style	Dimensions (mm)	Length	Cable Diameter	Model	Pinout
Cable: PVC jacket, PUR (polyurethane) body Coupling Nut: Nickel-plated brass Conductors: 26 AWG, gold-plated contacts Voltage/Current Rating: 125 V ac/dc, 2.0 A Temperature: -40° to +105° C Environmental Rating: IP67	Straight		2.00 mm	3.80 mm	PKG4M-2	Female  1 = Brown 2 = White 3 = Blue 4 = Black
			5.00 mm		PKG4M-5	
			9.00 mm		PKG4M-9	
	Right-Angle		2.00 mm	4.30	PKW4M-2	
			5.00 mm		PKW4M-5	
			9.00 mm		PKW4M-9	

Used with: Q12, QS18 (Pigtail), Q20 (Pigtail), S12, QMH26, Q26, D12, DF-G1

4-Pin Threaded M8/Pico-Style to USB Cordsets with Shield – Double Ended

Cordset Specs	Style	Dimensions (mm)	Length	Cable Diameter	Model	Pinout
Cable: PVC jacket, PUR (polyurethane) connector body Coupling Nut: Nickel-plated brass on Pico QD end Conductors: 28 AWG and 24 AWG, gold-plated contacts Voltage/Current Rating: 60V ac/75V dc, 2.0 A Temperature: -40° to +105° C Environmental Rating: IP67	Straight Pico QD/USB		0.15 m	4.80 mm	PSG-4M-4005-USB	USB 1 = Red 3 = Green 2 = White 4 = Black Male 1 = Red 3 = Black 2 = White 4 = Green
			0.30 m		PSG-4M-401-USB	
			0.91 m		PSG-4M-403-USB	
			3.05 m		PSG-4M-410-USB	
			4.88 m		PSG-4M-416-USB	

Used with: iVu TG & BCR — Remote Touch Screen models, iVu Plus

6-Pin Snap-On M8/Pico-Style Cordsets

Cordset Specs	Style	Dimensions (mm)	Length	Cable Diameter	Model	Pinout
Cable: PVC jacket, PUR (polyurethane) connector body Coupling Nut: Nylon or PUR Conductors: 26 AWG (shielded), gold-plated contacts Voltage/Current Rating: 125V ac/dc, 2.0 A Temperature: -40° to +90° C Environmental Rating: IP67	Straight		2.00 m	4.70 mm	PKG6Z-2	Female 1 = Brown 2 = White 3 = Blue 4 = Black 5 = Gray 6 = Pink
			9.00 m		PKG6Z-9	
	Right-Angle		2.00 m	4.70 mm	PKW6Z-2	
			9.00 m		PKW6Z-9	

Used with: D10

4-Pin Threaded M12/Euro-Style Cordsets

Cordset Specs	Style	Dimensions (mm)	Length	Cable Diameter	Model	Pinout
Cable: PVC jacket, PUR (polyurethane) connector body Coupling Nut: nickel-plated brass Conductors: 22 AWG, gold-plated contacts Voltage/Current Rating: 250V ac/dc, 4.0 A Temperature: -40° to +105° C Environmental Rating: IP67/IP69K	Straight		1.83 m	5.20 mm	MQDC-406	Female 1 = Brown 2 = White 3 = Blue 4 = Black
			4.57 m		MQDC-415	
			9.14 m		MQDC-430	
			15.2 m		MQDC-450	
	Right-Angle		2.00 mm	5.20 mm	MQDC-406RA-2	
			5.00 mm		MQDC-415RA	
			9.00 mm		MQDC-430RA	
					MQDC-450RA	

Used with: Q12, M12, QS18, Q20, OMNI-BEAM (QDH suffix), Q45 dc sensors (Q5 suffix), MINI-BEAM dc, SM312 sensors, S18, M18, T18, Q25, S30, T30, Q40, TM18/TM18 Expert, QM42/QMT42, QL50/QL51, SLM, R58A, T18U, TL50/TL30F, K5, K80, PVA/PVL, VTB, STB with solid-state relay, EZ-LIGHT, WL50, WLS28-2, QM26, Q26, DF-G1, WLA, WLC60/WLC90, E-Stops w/ Q4 suffix

4-Pin Threaded M12/Euro-Style Cordsets with Shield

Cordset Specs	Style	Dimensions (mm)	Length	Cable Diameter	Model	Pinout
Cable: PVC jacket, PUR (polyurethane) connector body, nickel-plated Coupling Nut: nickel-plated brass Conductors: 22 AWG (shielded), gold-plated contacts Voltage/Current Rating: 250 V ac/dc, 4.0 A Temperature: -40° to +105° C Environmental Rating: IP67	Straight		1.83 m	5.20 mm	MQDEC2-406	Female 1 = Brown 2 = White 3 = Blue 4 = Black
			4.57 m		MQDEC2-415	
			9.14 m		MQDEC2-430	
	Right-Angle		1.83 m	5.20 mm	MQDEC2-406RA	
			4.57 m		MQDEC2-415RA	
			9.14 m		MQDEC2-430RA	

Used with: QS18U, T30UX

4-Pin Threaded M12/Euro-Style Cordsets (for use with NAMUR sensors)

Cordset Specs	Style	Dimensions (mm)	Length	Cable Diameter	Model	Pinout
Cable: PVC jacket, PUR (polyurethane) connector body Coupling Nut: nickel-plated brass Conductors: 20 AWG, gold-plated contacts Voltage/Current Rating: 250 V ac/dc, 4.0 A Temperature: -40° to +105° C Environmental Rating: IP67	Straight		1.83 m	5.20 mm	MQD9-406	Female 1 = Brown 2 = Blue
			4.57 m		MQD9-415	
			9.14 m		MQD9-430	
	Right-Angle		1.83 m	5.20 mm	MQD9-406RA	
			4.57 m		MQD9-415RA	
			9.14 m		MQD9-430RA	

Used with: MINI-BEAM & Q45 NAMUR sensors

4-Pin Threaded M12/Euro-Style Cordsets—Double Ended

Cordset Specs	Style	Dimensions (mm)	Length	Cable Diameter	Model	Pinout
Cable: PVC jacket, PUR (polyurethane) connector body Coupling Nut: nickel-plated brass Conductors: 22 AWG, gold-plated contacts Voltage/Current Rating: 250 V ac/dc, 4.0 A Temperature: -40° to +105° C Environmental Rating: IP67	Straight		0.31 m	5.90 mm	MQDEC-401SS	Female Male 1 = Brown 2 = White 3 = Blue 4 = Black
			0.91 m		MQDEC-403SS	
			1.83 m		MQDEC-406SS	
			3.66 m		MQDEC-412SS	
			6.10 m		MQDEC-420SS	
			9.14 m		MQDEC-430SS	
			15.2 m		MQDEC-450SS	
	Right-Angle		0.91 m	5.90 mm	MQDEC-403RS	
			1.83 m		MQDEC-406RS	
			3.66 m		MQDEC-412RS	
			6.10 m		MQDEC-420RS	
			9.14 m		MQDEC-430RS	
			15.2 m		MQDEC-450RS	

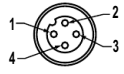
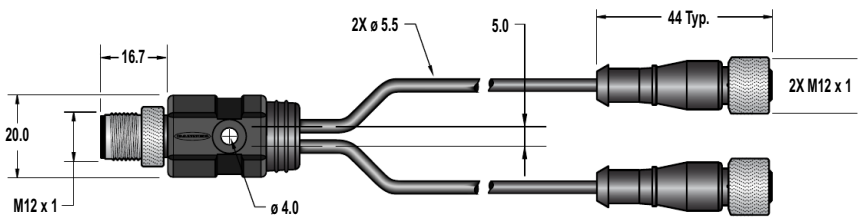

Used with: M12, QS18, Q20, OMNI-BEAM (QDH suffix), Q45 dc sensors (Q5 suffix), MINI-BEAM dc, SM312 sensors, S18, M18, T18, Q25, S30, T30, Q40, QM42/QMT42, SLM, R58A, T30UX, T18U, TL50, TL30F, K50, K80, PVA/PVL, VTB and STB, EZ-LIGHT, WL50, WLS28-2, QM26, Q26, DF-G1, WLA, WLC60/WLC90, QL50

4-Pin Threaded M12/Euro-Style Splitter Cordsets—Flat Junction

Cordset Specs	Branches(Female)	Trunk(Male)	Cable Diameter	Model	Pinout	
Cable: PVC jacket, PUR (polyurethane) connector body Coupling Nut: nickel-plated brass Conductors: 22 AWG, gold-plated contacts Voltage/Current Rating: 250 V ac/300 V dc, 4.0 A Temperature: -40° to +105° C Environmental Rating: IP67 Wiring: Parallel wired Y-cord	No branch	No trunk	5.50 mm	CSB-M1240M1240	Female Male 1 = Brown 2 = White 3 = Blue 4 = Black	
	2 x 0.30 m	No trunk				CSB-M1240M1241
		0.30 m				CSB-M1241M1241
		2.50 m				CSB-M1248M1241
		4.60 m				CSB-M12415M1241
		7.60 m				CSB-M12425M1241
		7.60 m Unterminated				CSB-UNT425M1241
	Dimensions (mm)					

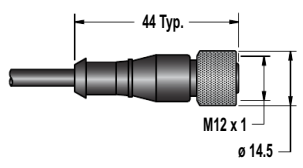
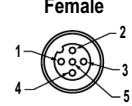
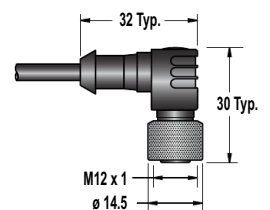
Used with: Sensors w/4-Pin Euro QD, EZ-LIGHT, DX80 (10 to 30 V dc), DX85, WLS28-2, WL50, WLA, WLC60/WLC90

4-Pin Threaded M12/Euro-Style Splitter Cordsets—Rounded Junction

Cordset Specs	Branches(Female)	Trunk(Male)	Cable Diameter	Model	Pinout
Cable: PVC jacket, PUR (polyurethane) connector body Coupling Nut: nickel-plated brass Conductors: 22 AWG, gold-plated contacts Voltage/Current Rating: 60 V ac/75 V dc, 2.0A Temperature: -40° to +105° C Environmental Rating: IP67 Wiring: Parallel wired Y-cord	0.31 m	No trunk	5.50 mm	CSRB-M1240M1241	Female 
	0.61 m			CSRB-M1240M1242	
	0.91 m			CSRB-M1240M1243	
	1.22 m			CSRB-M1240M1244	
Dimensions (mm)					
					
Male  1 = Brown 2 = White 3 = Blue 4 = Black					

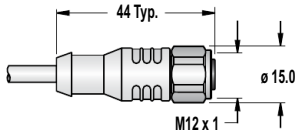
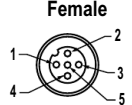
Used with: Sensors w/4-Pin Euro QD, EZ-LIGHT, DX80 (10 to 30 V dc), DX85, WLS28-2, WL50, WLA, WLC60/WLC90

5-Pin Threaded M12/Euro-Style Cordsets

Cordset Specs	Style	Dimensions (mm)	Length	Cable Diameter	Model	Pinout
Cable: PVC jacket, PUR (polyurethane) connector body Coupling Nut: nickel-plated brass Conductors: 22 AWG, gold-plated contacts Voltage/Current Rating: 250 V ac/dc, 4.0 A Temperature: -40° to +105° C Environmental Rating: IP67	Straight		0.50 m	5.20 mm	MQDC1-501.5	Female  1 = Brown 2 = White 3 = Blue 4 = Black 5 = Gray
			1.83 m		MQDC1-506	
			4.57 m		MQDC1-515	
			9.14 m		MQDC1-530	
	Right-Angle		1.83 m	MQDC1-506RA		
			4.57 m	MQDC1-515RA		
9.14 m			MQDC1-530RA			

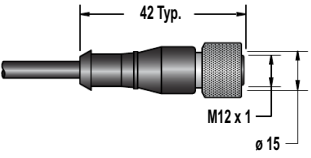
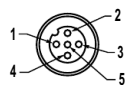
Used with: MINI-BEAM Expert, QS30, PicoDot, Q45 Laser Retro, R55F, SL30 & SL30E, SL10 & SL10E, VTB (2-color), QL56, Q60, PVD, STB, K50, K80, DX80, DX81, DX85, EZ-LIGHT, STB w/em relay, High-Intensity Area Lights, High-Intensity Ring Lights, Sealed Backlights, R58 Expert, QL56

5-Pin Threaded M12/Euro-Style Cordsets—Washdown

Cordset Specs	Style	Dimensions (mm)	Length	Cable Diameter	Model	Pinout
Cable: Polypropylene jacket and connector body Coupling Nut: stainless steel Conductors: 22 AWG, gold-plated contacts Voltage/Current Rating: 250 V ac/dc, 4.0 A Temperature: -40° to +105° C Environmental Rating: IP68	Straight		1.83 m	4.50 mm	MQDCWD-506	Female  1 = Brown 2 = White 3 = Blue 4 = Black 5 = Gray
			9.14 m		MQDCWD-530	

Used with: M25U, QM26

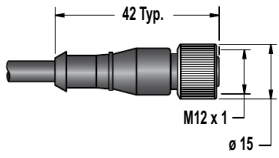
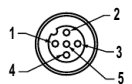
5-Pin Threaded M12/Euro-Style Cordsets

Cordset Specs	Style	Dimensions (mm)	Length	Cable Diameter	Model	Pinout
Cable: PVC jacket, PUR (polyurethane) connector body Coupling Nut: nickel-plated brass Conductors: 20 AWG, gold-plated contacts Voltage/Current Rating: 250 V ac/dc, 4.0 A Temperature: -40° to +105° C Environmental Rating: IP67	Straight		1.83 m	6.00 mm	MQDC20-506	Female  1 = Brown 2 = White 3 = Blue 4 = Black 5 = Gray
			4.57 m		MQDC20-515	
			9.14 m		MQDC20-530	

Used with: High Intensity Area Lights, High Intensity Ring Lights, Sealed Linear Array Lights, Sealed Backlights

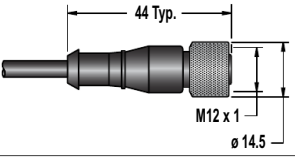
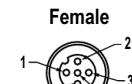
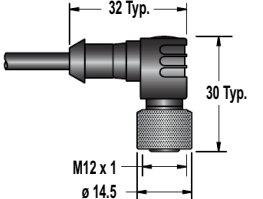
NOTE: Except stainless steel models

5-Pin Threaded M12/Euro-Style Cordsets

Cordset Specs	Style	Dimensions (mm)	Length	Cable Diameter	Model	Pinout
Cable: PVC jacket, PUR (polyurethane) connector body Coupling Nut: 316 stainless steel Conductors: 20 AWG, gold-plated contacts Voltage/Current Rating: 250 V ac/dc, 4.0 A Temperature: -40° to +105° C Environmental Rating: IP67	Straight		1.83 m	6.00 mm	MQDC20SS-506	Female  1 = Brown 2 = White 3 = Blue 4 = Black 5 = Gray
			4.57 m		MQDC20SS-515	
			9.14 m		MQDC20SS-530	

Used with: M25U, QM26

5-Pin Threaded M12/Euro-Style Cordsets with Shield

Cordset Specs	Style	Dimensions (mm)	Length	Cable Diameter	Model	Pinout
Cable: PVC jacket, PUR (polyurethane) connector body Coupling Nut: nickel-plated brass Conductors: 22 AWG (shielded), gold-plated contacts Voltage/Current Rating: 250 V ac/dc, 4.0 A Temperature: -40° to +105° C Environmental Rating: IP67	Straight		1.83 m	5.60 mm	MQDEC2-506	Female  1 = Brown 2 = White 3 = Blue 4 = Black 5 = Gray
			4.57 m		MQDEC2-515	
			9.14 m		MQDEC2-530	
			15.2 m		MQDEC2-550	
	Right-Angle		1.83 m	5.60 mm	MQDEC2-506RA	
			4.57 m		MQDEC2-515RA	
			9.14 m		MQDEC2-530RA	
			15.2 m		MQDEC2-550RA	

Used with: R58E, QT50U dc sensors, S18U, T30U, M25U, Q45U, Q45UR, LX, QT50R, Q120RA

5-Pin Threaded M12/Euro-Style to 4-Pin Threaded M12/Euro Style Splitter Cordset—Flat Junction

Cordset Specs	Branches(Male)	Trunk(Female)	Cable Diameter	Model	Pinout
Cable: PVC jacket, PUR (polyurethane) connector body Coupling Nut: nickel-plated brass Conductor: 22 AWG, gold-plated contacts Voltage/Current Rating: 250 V ac/300 V dc, 4.0 A Temperature: -40° to +105° C Environmental Rating: IP67 Wiring: Combiner Y-cord	4-pin Euro QD 2 x 0.31 m	5-pin Euro QD 0.31 m	5.50 mm	CSF-M12F51M12M41	
Dimensions (mm)					
	Branch 1 1 = NC 2 = Brown 3 = Blue 4 = Black	Branch 2 1 = NC 2 = Gray 3 = Blue 4 = White	Trunk 1 = Brown 2 = White 3 = Blue 4 = Black 5 = Gray		Female 1 2 3 4 5 Male 1 2 3 4

Used with: 3 or 4 Segmented EZ-LIGHT, 3 or 4 function TL50, Tower Lights

NOTE: Use to connect device to a "2-output" I/O block

5-Pin Threaded M12/Euro-Style Splitter Cordset—Rounded Junction

Cordset Specs	Branches(Female)	Trunk(Male)	Cable Diameter	Model	Pinout
Cable: PVC jacket, PUR (polyurethane) connector body Coupling Nut: nickel-plated brass Conductor: 22 AWG, gold-plated contacts Voltage/Current Rating: 60 V ac/75 V dc, 2.0 A Temperature: -40° to +105° C Environmental Rating: IP67 Wiring: Parallel wired Y-cord	Branch 1 0.14 m Branch 2 0.22 m	No trunk	5.60 mm	CSRB-M1250M125.47M125.73	
Dimensions (mm)					
					Female 1 2 3 4 5 Male 1 2 3 4 5 1 = Brown 2 = White 3 = Blue 4 = Black 5 = Green/Yellow

Used with: EZ-LIGHTs w/5-Pin Euro QD, DX80 (FlexPower), LX

8-Pin Threaded M12/Euro-Style Cordsets with Shield

Cordset Specs	Style	Dimensions (mm)	Length	Cable Diameter	Model	Pinout
Cable: PVC jacket, PUR (polyurethane) connector body Coupling Nut: nickel-plated brass Conductors: 24 AWG (shielded), gold-plated contacts Voltage/Current Rating: 75 V ac/dc, 2.0 A Temperature: -40° to +105° C Environmental Rating: IP67	Straight		1.83 m	5.60 mm	MQDC-806	Female 1 2 3 4 5 6 7 8 1 = White 5 = Gray 2 = Brown 6 = Pink 3 = Green 7 = Blue 4 = Yellow 8 = Shield
4.58 m			MQDC-815			
9.14 m			MQDC-830			

Used with: LT3, LG5, LG10

8-Pin Threaded M12/Euro-Style Cordsets with Shield

Cordset Specs	Style	Dimensions (mm)	Length	Cable Diameter	Model	Pinout
Cable: PVC jacket, PUR (polyurethane) connector body Coupling Nut: nickel-plated brass Conductors: 24 AWG (shielded), gold-plated contacts Voltage/Current Rating: 75 V ac/dc, 2.0 A Temperature: -40° to +105° C Environmental Rating: IP67	Straight		1.83 m	5.60 mm	MAQDC-806	Female 1 = White 5 = Gray 2 = Brown 6 = Pink 3 = Green 7 = Blue 4 = Yellow 8 = Red
			4.58 m		MAQDC-815	
			9.14 m		MAQDC-830	
			15.2 m		MAQDC-850	

Used with: EZ-ARRAY, Emitters/Receivers

8-Pin Threaded M12/Euro-Style Cordsets with Shield

Cordset Specs	Style	Dimensions (mm)	Length	Cable Diameter	Model	Pinout
Cable: PVC jacket, PUR (polyurethane) connector body Coupling Nut: nickel-plated brass Conductors: 24 AWG (shielded), gold-plated contacts Voltage/Current Rating: 75 V ac/dc, 2.0 A Temperature: -40° to +105° C Environmental Rating: IP67	Straight		1.83 m	6.00 mm	MLQH-806-F	Female 1 = White 5 = Gray 2 = Brown 6 = Green 3 = Shield 7 = Blue 4 = Yellow 8 = Shield
			4.58 m		MLQH-815-F	
			9.14 m		MLQH-830-F	

Used with: LH

8-Pin Threaded M12/Euro-Style Cordsets with Open-Shield

Cordset Specs	Style	Dimensions (mm)	Length	Cable Diameter	Model	Pinout
Cable: PVC jacket, PUR (polyurethane) connector body Coupling Nut: nickel-plated brass Conductors: 24 AWG (shielded), gold-plated contacts Voltage/Current Rating: 75 V ac/dc, 2.0 A Temperature: -40° to +105° C Environmental Rating: IP67	Straight		1.83 m	5.60 mm	MQDC2S-806	Female 1 = White 2 = Brown 3 = Green 4 = Yellow 5 = Gray 6 = Pink 7 = Blue 8 = Red
			4.57 m		MQDC2S-815	
			9.14 m		MQDC2S-830	
			15.2 m		MQDC2S-850	
	Right-Angle		1.83 m	5.60 mm	MQDC2S-806RA	1 = White 2 = Brown 3 = Green 4 = Yellow 5 = Gray 6 = Pink 7 = Blue 8 = Red
			4.57 m		MQDC2S-815RA	
			9.14 m		MQDC2S-830RA	
			15.2 m		MQDC2S-850RA	

Used with: QC50, QCX50, EZ-LIGHT, iVu TG—Integrated Touch Screen models, E-Stops w/Q8 suffix

8-Pin Threaded M12/Euro-Style Cordsets

Cordset Specs	Style	Dimensions (mm)	Length	Cable Diameter	Model	Pinout
Cable: PVC jacket, PUR (polyurethane) connector body Coupling Nut: Nickel-plated brass Conductors: 22 AWG, gold-plated contacts Voltage/Current Rating: 75 V ac/dc, 2.0 A Temperature: -40° to +105° C Environmental Rating: IP67	Straight		4.57 m	6.00 mm	QDE-815D	Female 1 = Brown 5 = Black 2 = Or/Bl 6 = Blue 3 = Orange 7 = Gn/Ye 4 = White 8 = Violet
			7.62 m		QDE-825D	
			15.3 m		QDE-850D	
			22.9 m		QDE-875D	
			30.5 m		QDE-8100D	

Used with: EZ-SCREEN w/8-pin QD (14 & 30 mm Resolution), EZ-SCREEN LP w/8-pin QD, (14 & 25 mm Resolution), EZ-SCREEN w/8-pin QD (Point & Grid), EZ-SCREEN Type 2

8-Pin Threaded M12/Euro-Style Cordsets

Cordset Specs	Style	Dimensions (mm)	Length	Cable Diameter	Model	Pinout
Cable: PVC jacket, PUR (polyurethane) connector body Coupling Nut: nickel-plated brass Conductors: 22 AWG, gold-plated contacts Voltage/Current Rating: 60 V ac/75 V dc, 2.0 A Temperature: -40° to +105° C Environmental Rating: IP67	Straight		4.57 m	5.50 mm	QDE2R4-815D	Male 1 = Brown 5 = Blue 2 = Not Used 6 = Not Used 3 = Not Used 7 = Not Used 4 = Black 8 = White
			7.62 m		QDE2R4-825D	
			15.2 m		QDE2R4-850D	

Used with: EZ-SCREEN Receiver (Cascade) CSSI QD (14 & 30 mm), EZ-SCREEN LP Receiver (Cascade) CSSI QD and a DELPEF-810 (14 & 25 mm)

NOTE: For connection of E-Stop or other hard/relay contacts.

8-Pin Threaded M12/Euro-Style Cordsets with Shield—Double Ended

Cordset Specs	Style	Dimensions (mm)	Length	Cable Diameter	Model	Pinout
Cable: PVC jacket, PUR (polyurethane) connector body Coupling Nut: Nickel-plated brass Conductors: 24 AWG (shielded), gold-plated contacts Voltage/Current Rating: 60 V ac/75 V dc, 2.0 A Temperature: -40° to +105° C Environmental Rating: IP67	Male Straight/ Female Straight		1.83 m	6.00 mm	MQLH-806-MF	Female Male 1 = White 5 = Gray 2 = Brown 6 = Green 3 = Shield 7 = Blue 4 = Yellow 8 = Shield
			4.57 m		MQLH-815-MF	
			9.14 m		MQLH-830-MF	
	Male Straight/ Male Straight		0.30 m	6.00 mm	MQLH-801-MM	

Used with: LH

8-Pin Threaded M12/Euro-Style Cordsets—Double Ended

Cordset Specs	Style	Dimensions (mm)	Length	Cable Diameter	Model*	Pinout		
Cable: PVC jacket, PUR (polyurethane) connector body Coupling Nut: Nickel-plated brass Conductors: 22 AWG, gold-plated contacts Voltage/Current Rating: 60 V ac/75 V dc, 2.0 A Temperature: -40° to +105° C Environmental Rating: IP68	Female Straight/ Male Straight		0.31 m	6.00 mm	8-pin/8-pin	8-Pin Female to 5-Pin Male 		
			0.91 m		DEE2R-81D		DEE8-41D	
			2.44 m		DEE2R-83D		—	—
			4.57 m		DEE2R-88D		DEE8-48D	DEE8-58D
			7.62 m		DEE2R-815D		DEE8-48D	DEE8-515D
			15.2 m		DEE2R-825D		DEE8-425D	DEE8-525D
			22.9 m		DEE2R-850D		—	—
			30.5 m		DEE2R-875D		—	—
					DEE2R-8100D		—	—

Used with: EZ-SCREEN w/8-pin QD (14 & 30 mm Resolution), EZ-SCREEN LP w/8-pin QD, (14 & 25 mm Resolution), EZ-SCREEN w/8-pin QD, (Point & Grid), EZ-SCREEN Type 2 (DEE2R only), AC Interface Boxes (DEE2R only), E-Stops 8-pin QD w/Q8 suffix

* Standard cordsets are yellow PVC with black overmold. For black PVC and overmold, add suffix **B** to model number (example, DEE2R-81DB)

8-Pin Threaded M12/Euro-Style Splitter Cordsets with Shield—Flat Junction

Cordset Specs	Branches(Female)	Trunk(Male)	Cable Diameter	Model	Pinout
Cable: PVC jacket, PUR (polyurethane) connector body Coupling Nut: nickel-plated brass Conductors: 24 AWG (shielded), gold-plated contacts Voltage/Current Rating: 60 V ac/75 V dc, 2.0 A Temperature: -40° to +80° C Environmental Rating: IP67 Wiring: Parallel wired Y-cord	No branches	No trunk	6.00 mm	CSB-M1280M1280-LH	Female Male 1 = White 5 = Gray 2 = Brown 6 = Green 3 = Shield 7 = Blue 4 = Yellow 8 = Shield
	0.60 m	0.30 m		CSB-M1281M1282-LH	
Dimensions (mm)					

Used with: LH

8-Pin Threaded M12/Euro-Style Splitter Cordsets with Shield—Flat Junction

Cordset Specs	Branches(Female)	Trunk(Male)	Cable Diameter	Model	Pinout
Cable: PVC jacket, PUR (polyurethane) connector body Coupling Nut: nickel-plated brass Conductors: 24 AWG (shielded), gold-plated contacts Voltage/Current Rating: 60 V ac/75 V dc, 2.0 A Temperature: -40° to +80° C Environmental Rating: IP67 Wiring: Parallel wired Y-cord	0.60 m	0.30 m	6.00 mm	CSB3-M1281M1282-LH	Female Male 1 = White 5 = Gray 2 = Brown 6 = Green 3 = Shield 7 = Blue 4 = Yellow 8 = Shield
	Dimensions (mm)				

Used with: LH

* Standard cordsets are yellow PVC with black overmold. For black PVC and overmold, add suffix **B** to model number (example, DEE2R-81DB)

** For connection to safety BUS gateway/node, a "smart" self-monitored safety module, safety controller or safety PLC.

† DEE8-4..D do not have the pin 5 GND/chassis connection. GND/chassis connection should be made via the mounting hardware.

8-Pin Threaded M12/Euro-Style Splitter Cordsets—Flat Junction

Cordset Specs	Branches(Female)	Trunk(Male)	Cable Diameter	Model	Pinout
Cable: PVC jacket, PUR (polyurethane) connector body Coupling Nut: nickel-plated brass Conductors: 22 AWG, gold-plated contacts Voltage/Current Rating: 60 V ac/75 V dc, 2.0 A Temperature: -40° to +105° C Environmental Rating: IP68 Wiring: Parallel wired Y-cord	No branches	No trunk	6.00 mm	CSB-M1280M1280	
	2 x 0.3 m	0.3 m		CSB-M1281M1281	
		2.5 m		CSB-M1288M1281	
		4.6 m		CSB-M12815M1281	
		7.6 m		CSB-M12825M1281	
		7.6 m Unterminated		CSB-UNT825M1281*	
		Dimensions (mm)			

Used with: EZ-ARRAY, EZ-LIGHT Indicator Lights, EZ-SCREEN w/8-pin QD (14 & 30 mm Resolution), EZ-SCREEN LP w/8-pin QD (14 & 25 mm Resolution), EZ-SCREEN w/8-pin QD (Point & Grid), EZ-SCREEN Type 2, AC Interface Boxes

*Unterminated cordset is not compatible with the EZ-ARRAY

* Standard cordsets are yellow PVC with black overmold. For black PVC and overmold, add suffix **B** to model number (example, **CSB-M1280M1280B**).

8-Pin Threaded M12/Euro-Style to USB Cordsets—Double Ended

Cordset Specs	Style	Dimensions (mm)	Length	Cable Diameter	Model	Pinout
Cable: PVC jacket, PUR (polyurethane) connector body Coupling Nut: nickel-plated brass on Euro QD end Conductors: 28 AWG or 24 AWG, gold-plated contacts Voltage Rating: 60 V ac/75 V dc Temperature: -40° to +90° C	Straight Euro QD/USB		0.15 m	4.80 mm	MQDEC-8005-USB	
			0.30 m		MQDEC-801-USB	
			0.90 m		MQDEC-803-USB	
			3.00 m		MQDEC-810-USB	
	Right-Angle Euro QD/USB		0.15 m	4.80 mm	MQDEC-8005RA-USB	
			0.30 m		MQDEC-801RA-USB	
			0.90 m		MQDEC-803RA-USB	
			3.00 m		MQDEC-810RA-USB	

Used with: iVu TG & BCR— Integrated Touch Screen models

8-Pin Threaded M12/Euro-Style to Molex Cordsets—Double Ended

Cordset Specs	Style	Dimensions (mm)	Length	Cable Diameter	Model	Pinout
Cable: Euro: PVC jacket, PUR (polyurethane) connector body Coupling Nut: nickel-plated brass Molex: Nylon (polyamide)/PUR (polyurethane) Conductors: 24 AWG, gold-plated contacts Voltage Rating: 30 V ac/dc 2.0 A Temperature: -40° to +105° C Environmental Rating: IP67	Straight Euro QD/ Molex		0.91 m	6.10 mm	IVURD-MX-803	<p>Molex</p>
			1.83 m		IVURD-MX-806	
			4.57 m		IVURD-MX-815	
			9.14 m		IVURD-MX-830	
			15.2 m		IVURD-MX-850	
	Right-Angle Euro QD/ Molex		0.91 m	6.10 mm	IVURD-MX-803RA	<p>Male</p> <p>1 = Orange 5 = Green 2 = Brown 6 = Blue 3 = Wh/Bn 7 = Wh/Or 4 = Wh/Bl 8 = Wh/Gn</p>
			1.83 m		IVURD-MX-806RA	
			4.57 m		IVURD-MX-815RA	
			9.14 m		IVURD-MX-830RA	
			15.2 m		IVURD-MX-850RA	

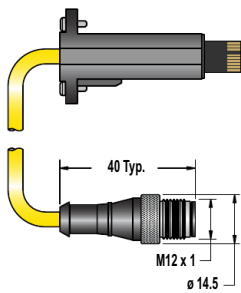
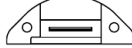
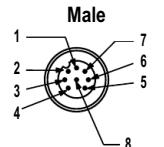
Used with: iVu RD35 remote display

8-Pin Threaded M12/Euro-Style—Double Ended

Cordset Specs	Style	Dimensions (mm)	Length	Cable Diameter	Model	Pinout
Cable: Euro: PVC jacket, PUR (polyurethane) connector body Molex: Nylon (polyamide)/PUR (polyurethane) Coupling Nut: nickel-plated brass Conductors: 24 AWG, gold-plated contacts Voltage Rating: 30 V ac/dc 2.0 A Temperature: -40° to +105° C Environmental Rating: IP67	Straight Euro QD/ Straight Euro QD/		0.91 m	6.10 mm	IVURDM-QD-803	<p>Female</p> <p>1 = Wh/Or 5 = Wh/Bl 2 = Green 6 = Blue 3 = Wh/Bn 7 = Wh/Gn 4 = Orange 8 = Brown</p>
			1.83 m		IVURDM-QD-806	
			4.57 m		IVURDM-QD-815	
			9.14 m		IVURDM-QD-830	
			15.2 m		IVURDM-QD-850	
	Straight Euro QD/ Right-Angle Euro QD		0.91 m	6.10 mm	IVURDM-QD-803RA	<p>Male</p> <p>1 = Orange 5 = Green 2 = Brown 6 = Blue 3 = Wh/Bn 7 = Wh/Or 4 = Wh/Bl 8 = Wh/Gn</p>
			1.83 m		IVURDM-QD-806RA	
			4.57 m		IVURDM-QD-815RA	
			9.14 m		IVURDM-QD-830RA	
			15.2 m		IVURDM-QD-850RA	

Used with: iVu RDM35 remote display

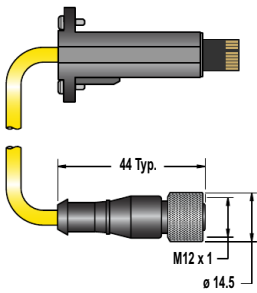

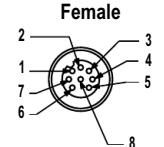
8-Pin Threaded M12/Euro-Style QD to RD Cordsets

Cordset Specs	Style	Dimensions (mm)	Length	Cable Diameter	Model	Pinout
Cable: Euro: PVC jacket, PUR (polyurethane) connector body RD: Nylon (polyamide)/PUR (polyurethane) RD connector Coupling Nut: nickel-plated brass Conductors: 22 AWG, gold-plated contacts Voltage/Current Rating: 60 V ac/75 V dc, 2.0 A Temperature: 0° to +55° C Environmental Rating: IP67	RD/ Male Straight		0.31 m	6.00 mm	DELPE-81D	RD  Male  1 = Brown 5 = Black 2 = Or/Bk 6 = Blue 3 = Orange 7 = Gn/Ye 4 = White 8 = Violet
			0.91 m		DELPE-83D	
			2.44 m		DELPE-88D	
			4.57 m		DELPE-815D	
			7.62 m		DELPE-825D	
			15.2 m		DELPE-850D	
			22.9 m		DELPE-875D	
			30.5 m		DELPE-8100D	

Used with: EZ-SCREEN LP w/RD (14 & 25 mm Resolution)

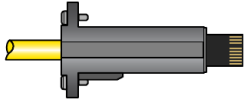

NOTE: Requires QDE-8...D, DEE2R-8...D, CSB-M128... or other M12/Euro QD cordset

8-Pin Threaded M12/Euro-Style QD to RD Cordsets

Cordset Specs	Style	Dimensions (mm)	Length	Cable Diameter	Model	Pinout
Cable: Euro: PVC jacket, PVC connector body, RD: Nylon (polyamide)/PUR (polyurethane) RD connector Coupling Nut: nickel-plated brass Conductors: 22 AWG, gold-plated contacts Voltage/Current Rating: 60 V ac/75 V dc, 2.0 A Temperature: 0° to +55° C Environmental Rating: IP67	RD/ Female Straight		0.31 m	6.00 mm	DELPEF-81D	RD  Female  1 = Brown 5 = Black 2 = Or/Bk 6 = Blue 3 = Orange 7 = Gn/Ye 4 = White 8 = Violet
			0.91 m		DELPEF-83D	
			2.44 m		DELPEF-88D	
			4.57 m		DELPEF-815D	

Used with: EZ-SCREEN LP (Cascade) w/RD (14 & 25 mm); requires QDE2R4-8...D cordset or connection of E-Stop or other hard/relay contact; for connection to DEE2R-8...D or to EZ-SCREEN LP w/8-pin QD

RD to Flying Lead Cordsets

Cordset Specs	Style	Dimensions (mm)	Length	Cable Diameter	Model	Pinout	
Cable: PVC jacket, nylon (polyamide)/PUR (polyurethane) RD connector Conductors: 22 AWG, gold-plated contacts Voltage/Current Rating: 60 V ac/75 V dc, 2.0 A Temperature: 0° to +55° C Environmental Rating: IP67	RD			6.00 mm	8 wire	RD 	
			4.57 m		RDLP-815D		RDLP6G-415D
			7.62 m		RDLP-825D		RDLP6G-425D
			15.2 m		RDLP-850D		RDLP6G-450D
			22.9 m		RDLP-875D		—
			30.5 m		RDLP-8100D		—

Used with: EZ-SCREEN LP w/RD (14 & 25 mm Resolution)

† For connection of E-Stop or other hard/relay contacts. See EZ-SCREEN installation manual p/n 140044 for more information.

RD to RD Cordsets

Cordset Specs	Style	Dimensions (mm)	Length	Cable Diameter	Model	Pinout
Cable: PVC jacket, nylon (polyamide)/PUR (polyurethane) RD connector Conductors: 22 AWG, gold-plated contacts Voltage/Current Rating: 60 V ac/75 V dc, 2.0 A Temperature: 0° to +55° C Environmental Rating: IP67	RD/RD		0.05 m	6.00 mm	DELPE-110E	RD
			0.30 m		DELPE-111E	
			0.91 m		DELPE-113E	
			2.44 m		DELPE-118E	
			4.57 m		DELPE-1115E	
			7.62 m		DELPE-1125E	
			15.2 m		DELPE-1150E	
			22.9 m		DELPE-1175E	
			30.5 m		DELPE-11100E	

Used with: EZ-SCREEN LP w/RD Cascading (14 & 25 mm Resolution)

* Standard cordsets are yellow PVC with black overmold. For black PVC cable and overmold, add suffix **B** to model number (example, DELPE-110EB).

12-Pin M12/Euro-Style Cordsets with Open Shield

Cordset Specs	Style	Dimensions (mm)	Length	Cable Diameter	Model	Pinout
Cable: PVC jacket, PUR (polyurethane) connector body Coupling Nut: nickel-plated brass Conductors: 20 and 24 AWG, gold-plated contacts Voltage Rating: 250 V ac/300 V dc Temperature: -40° to +105° C Environmental Rating: IP67	Straight		1.83 m	7.50 mm	MQDC2S-1206	Female 1 = White 7 = Blue 2 = Brown 8 = Red 3 = Green 9 = Orange 4 = Yellow 10 = Lt. Blue 5 = Gray 11 = Black 6 = Pink 12 = Violet
			4.57 m		MQDC2S-1215	
			9.14 m		MQDC2S-1230	
			15.2 m		MQDC2S-1250	
			22.9 m		MQDC2S-1275	

Used with: IP68 Sealed P4, iVu BCR—Integrated Touch Screen models, iVu Plus

(For CE compliance)

12-Pin M12/Euro-Style Cordsets

Cordset Specs	Style	Dimensions (mm)	Length	Cable Diameter	Model	Pinout
Cable: PVC jacket, PUR (polyurethane) connector body Coupling Nut: Nickel-plated brass Conductors: 24, 20 AWG, gold-plated contacts Voltage Rating: 300 V ac/dc, 2.0, 7.0 A Temperature: -40° to +105° C Environmental Rating: IP67	Straight		1.83 m	7.50 mm	iVUC-1206	Female 1 = White 7 = Blue 2 = Brown 8 = Red 3 = Green 9 = Orange 4 = Yellow 10 = Lt. Blue 5 = Gray 11 = Black 6 = Pink 12 = Violet
			4.57 m		iVUC-1215	
			9.14 m		iVUC-1230	
			15.2 m		iVUC-1250	
			22.9 m		iVUC-1275	
			Right-Angle			
	4.57 m	iVUC-1215RA				
	9.14 m	iVUC-1230RA				
	15.2 m	iVUC-1250RA				
	22.9 m	iVUC-1275RA				

Used with: iVu TG & BCR Remote Touch Screen models, iVu BCR—Integrated Touch Screen models, iVu Plus

8-Pin Threaded M12/Euro-Style Cordsets with Shield

Cordset Specs	Style	Dimensions (mm)	Length	Cable Diameter	Model	Pinout
<p>Cable: PVC jacket, PUR (polyurethane) connector body Coupling Nut: nickel-plated brass Conductors: 24 AWG (shielded), gold-plated contacts Voltage/Current Rating: 75 V ac/dc, 2.0 A Temperature: -40° to +105° C Environmental Rating: IP67</p>	Straight (High Flex)/DB15		1.83 m	7.60 mm	PPC06SHF	<p>Female</p>
			3.96 m		PPC13SHF	
			7.01 m		PPC23SHF	
			9.75 m		PPC32SHF	
			1.83 m		7.60 mm	
	3.96 m	PPC13SRAHF				
	7.01 m	PPC23SRAHF				
	9.75 m	PPC32SRAHF				
			<p>Male</p>			

Used with: Pro, Mini Pro, Sealed Pro

12-Pin M16 Cordsets

Cordset Specs	Style	Dimensions (mm)	Length	Cable Diameter	Model	Pinout
<p>Cable: PVC jacket Coupling Nut: nickel-plated brass Conductors: 22 AWG, gold-plated contacts Voltage/Current Rating: 60 V ac/dc, 4.0 A Temperature: 40° to +80° C Environmental Rating: IP67</p>	Straight		3.05 m	7.60 mm	MQDC-1210ST	<p>Female</p> <p>1 = White 7 = Red 2 = Brown 8 = Black 3 = Green 9 = Violet 4 = Yellow 10 = Gy/Pk 5 = Gray 11 = Rd/Bu 6 = Pink 12 = Blue</p>
			9.14 m		MQDC-1230ST	
			24.4 m		MQDC-1280ST	

Used with: LT7

12-Pin QD Cordsets

Cordset Specs	Style	Dimensions (mm)	Length	Cable Diameter	Model	Pinout
	Straight		1.83 m	7.70 mm	P4C06	<p>Female</p> <p>1 = Yellow 7 = White 2 = Gray 8 = Lt. Blue 3 = Orange 9 = Violet 4 = Pink 10 = Green 5 = Black 11 = Blue 6 = Red 12 = Brown</p>
			7.01 m		P4C23	
			9.75 m		P4C32	
			15.2 m		P4C50	
			22.9 m		P4C75	
			34.0 m		P4C110	

Used with: P4, PPSIM with terminal strip to P4

12-Pin QD to DB15 Cordsets

Cordset Specs	Style	Dimensions (mm)	Length	Cable Diameter	Model	Pinout
	Straight/ DB15		2.00 m	6.9 mm	P4C06SIM	Female
			7.00 m		P4C23SIM	
			10.0 m		P4C32SIM	Male

Used with: P4 to PPSIM

3-Pin Micro-Style Cordsets

Cordset Specs	Style	Dimensions (mm)	Length	Cable Diameter	Model	Pinout
	Straight		1.83 m	5.20 mm	MQDC-306	Female
			4.57 m		MQDC-315	
			9.14 m		MQDC-330	
	Right-Angle		1.83 m	5.20 mm	MQDC-306RA	1 = Green 2 = Red/Black 3 = Red/White
			4.57 m		MQDC-315RA	
			9.14 m		MQDC-330RA	

Used with: MINI-BEAM ac, SM2A312 sensors

4-Pin Micro-Style Cordsets

Cordset Specs	Style	Dimensions (mm)	Length	Cable Diameter	Model	Pinout
Cable: PVC jacket, PUR (polyurethane) connector body Coupling Nut: nickel-plated brass Conductors: 22 AWG, gold-plated contacts Voltage/Current Rating: 250 V ac/dc, 4.0 A Temperature: -40° to +105° C Environmental Rating: IP67	Straight		1.83 m	5.70 mm	MQAC-406	Female
			4.57 m		MQAC-415	
			9.14 m		MQAC-430	
	Right-Angle		1.83 m	5.70 mm	MQAC-406RA	1 = Red/Black 2 = Red/White 3 = Red 4 = Green
			5.00 m		MQAC-415RA	
			9.14 m		MQAC-430RA	

Used with: QS18 ac/dc sensors, Q45 ac series (suffix Q1), S18, M18, T18, Q25, S30, T30 & Q40 ac sensors (suffix Q1), Q60 ac series

4-Pin Micro-Style Cordsets

Cordset Specs	Style	Dimensions (mm)	Length	Cable Diameter	Model	Pinout
Cable: PVC jacket, PUR (polyurethane) connector body Coupling Nut: nickel-plated brass Conductors: 22 AWG, gold-plated contacts Voltage Rating: 125 V ac/150 V dc Temperature: -40° to +80 °C Environmental Rating: IP67	Straight		1.83 m	5.7 mm	MQEAC-406	Female 1 = Red/Black 2 = Red/White 3 = Red 4 = Green
			4.57 m		MQEAC-415	
			9.14 m		MQEAC-430	
	Right-Angle		1.83 m	5.70 mm	MQEAC-406RA	
			4.57 m		MQEAC-415RA	
			9.14 m		MQEAC-430RA	

Used with: SI-HG80 hinge-style switches

5-Pin Micro-Style Cordsets

Cordset Specs	Style	Dimensions (mm)	Length	Cable Diameter	Model	Pinout
Cable: PVC jacket, PUR (polyurethane) connector body Coupling Nut: nickel-plated brass Conductors: 22 AWG, gold-plated contacts Voltage/Current Rating: 250 V ac/dc, 4.0 A Temperature: -40° to +105° C Environmental Rating: IP67	Straight		1.83 m	6.10 mm	MQAC2-506	Female 1 = Brown 2 = Blue 3 = White 4 = Black 5 = Gray
			4.57 m		MQAC2-515	
			9.14 m		MQAC2-530	

Used with:

5-Pin Micro-Style Cordsets with Shield

Cordset Specs	Style	Dimensions (mm)	Length	Cable Diameter	Model	Pinout
Cable: PVC jacket, PUR (polyurethane) connector body Coupling Nut: Nickel-plated brass Conductors: 22 AWG with 22 AWG drain wire (shielded), gold-plated contacts Voltage/Current Rating: 250 V ac/dc, 4.0 A Temperature: -40° to +105° C Environmental Rating: IP67	Straight		1.83 m	6.10 mm	MQVR3S-506	Female 1 = Brown 2 = White 3 = Yellow 4 = Black 5 = Blue
			1.83 m		MQVR3S-515	
			9.14 m			
	Right-Angle		1.83 m	6.10 mm	MQVR3S-506RA	
			4.57 m		MQVR3S-515RA	
			9.14 m		MQVR3S-530RA	

Used with: QT50U ac/dc sensors, EZ-LIGHT ac indicators

5-Pin Threaded M12/Euro-Style Cordsets with Shield

Cordset Specs	Style	Dimensions (mm)	Length	Cable Diameter	Model	Pinout
Cable: PVC jacket, PUR (polyurethane) connector body Coupling Nut: Nickel-plated brass Conductors: 22 AWG (shielded), gold-plated contacts Voltage/Current Rating: 250 V ac/dc, 4.0 A Temperature: -40° to +105° C Environmental Rating: IP67	Straight		1.83 m	5.60 mm	MQEAC-606	Female 1 = Red/White 2 = Red 3 = Green 4 = Red/Yellow 5 = Red/Black 6 = Red/Blue
			4.57 m		MQEAC-615	
			9.14 m		MQEAC-630	
	Right-Angle		1.83 m	5.60 m-- m	MQEAC-606RA	
			4.57 m		MQEAC-615RA	
			9.14 m		MQEAC-630RA	

Used with: SI-HG63 hinge-style switches

3-Pin Mini-Style Cordsets

Cordset Specs	Style	Dimensions (mm)	Length	Cable Diameter	Model	Pinout
Cable: PVC jacket, PUR (polyurethane) connector body Coupling Nut: nylon Conductors: 18 AWG, PVC insulation, gold-plated contacts Voltage/Current Rating: 300 V ac/dc, 9.0 A Temperature: -40° to +80° C Environmental Rating: IP67	Straight		1.83 m	7.00 mm	MBCC-306	Female 1 = Brown 3 = Blue 4 = Black
			3.66 m		MBCC-312	
			9.14 m		MBCC-330	
	Straight		1.83 m		SMICC-306	
			3.66 m		SMICC-312	
			9.14 m		SMICC-330	
	Straight		1.83 m		SM30CC-306	
			3.66 m		SM30CC-312	

Used with: Q45, SMI30 Intrinsically, SM30 2-wire ac sensors safe dc sensors,

3-Pin Mini-Style Cordsets

Cordset Specs	Style	Dimensions (mm)	Length	Cable Diameter	Model	Pinout
Cable: PVC jacket, PUR (polyurethane) connector body Coupling Nut: nickel-plated brass Conductors: 18 AWG, PVC insulation, gold-plated contacts Voltage Rating: 250 V ac/300 dc Temperature: -40° to +80° C Environmental Rating: IP67	Straight		4.75 m	7.00 mm	QDS-315C	Female 1 = Green/Ye 2 = Brown 3 = Blue
			7.62 m		QDS-325C	
			15.2 m		QDS-350C	
			22.9 m		QDS-375C	
			30.5 m		QDS-3100C	

Used with: EZ-SCREEN Emitters w/3-pin mini-style QD (Point & Grid), EZAC Box w/3-pin mini-style QD

4-Pin Mini-Style Cordsets

Cordset Specs	Style	Dimensions (mm)	Length	Cable Diameter	Model	Pinout
Cable: PVC jacket, PUR (polyurethane) connector body Coupling Nut: Nylon Conductors: 18 AWG, gold-plated contacts Voltage/Current Rating: 300 V ac/dc, 9.0 A Temperature: -40° to +80° C Environmental Rating: IP67	Straight		1.83 m	7.00 mm	MBCC-406	Female 1 = Brown 2 = White 3 = Blue 4 = Black
			3.66 m		MBCC-412	
			9.14 m		MBCC-430	

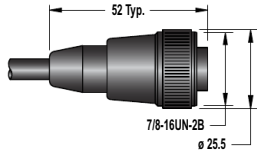
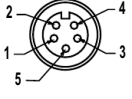
Used with: Q45 dc sensors (suffix Q), OMNI-BEAM dc power blocks, SM30 dc sensors, OTB w/solid-state output, STB with solid-state output, Q45 4-wire ac/dc

5-Pin Mini-Style Cordsets

Cordset Specs	Style	Dimensions (mm)	Length	Cable Diameter	Model	Pinout
Cable: PVC jacket, PUR (polyurethane) connector body Coupling Nut: Nylon Conductors: 18 AWG, gold-plated contacts Voltage/Current Rating: 300 V ac/dc, 9.0 A Temperature: -40° to +80° C Environmental Rating: IP67	Straight		1.83 m	7.00 mm	MBCC-506	Female 1 = Black 2 = Blue 3 = Yellow 4 = Brown 5 = White
			3.66 m		MBCC-512	
			9.14 m		MBCC-530	

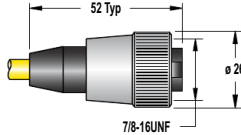
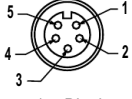
Used with: Q45 Laser Retro, OMNI-BEAM ac power blocks, OMNI-BEAM dc w/ e/m relay, OTB & LTB w/SPDT relay, Q45 5-wire ac, STB with e/m relay

5-Pin Mini-Style Cordsets with Shield

Cordset Specs	Style	Dimensions (mm)	Length	Cable Diameter	Model	Pinout
Cable: PVC jacket, PUR (polyurethane) connector body Coupling Nut: Nylon Conductors: 22 AWG (shielded), PVC insulation, gold-plated contacts Voltage/Current Rating: 300 V ac/dc, 9.0 A Temperature: -40° to +80° C Environmental Rating: IP67	Straight		1.83 m	6.10 mm	MBCC2-506	Female  1 = Brown 2 = White 3 = Blue 4 = Black 5 = Yellow
			3.66 m		MBCC2-512	
			9.14 m		MBCC2-530	

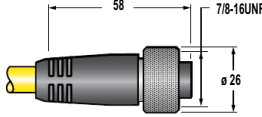
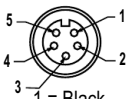
Used with: QT50U, Q45U, Q45UR

5-Pin Mini-Style Cordsets with Green/Yellow Grounding Wire

Cordset Specs	Style	Dimensions (mm)	Length	Cable Diameter	Model	Pinout
Cable: PVC jacket, PUR (polyurethane) connector body Coupling Nut: Nickel-plated brass Conductors: 20 AWG, gold-plated contacts Voltage/Current Rating: 250 V ac/300 V dc, 9.0 A Temperature: -40° to +90° C Environmental Rating: IP67	Straight		4.75 m	7.00 mm	QDS-515C	Female  1 = Black 2 = Blue 3 = Gn/Ye 4 = Brown 5 = White
			7.62 m		QDS-525C	
			15.2 m		QDS-550C	

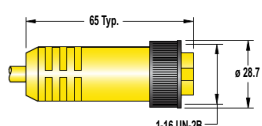
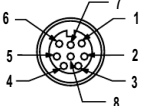
Used with: EZ-SCREEN Receivers w/5-pin mini-style QD & TEST (Point & Grid), EZAC Box w/5-pin mini-style QD

8-Pin Threaded M12/Euro-Style Cordsets with Shield

Cordset Specs	Style	Dimensions (mm)	Length	Cable Diameter	Model	Pinout
Cable: PVC jacket, PUR (polyurethane) connector body Coupling Nut: nickel-plated brass Conductors: 24 AWG (shielded), gold-plated contacts Voltage/Current Rating: 75 V ac/dc, 2.0 A Temperature: -40° to +105° C Environmental Rating: IP67	Straight		4.57 m	7.00 mm	QDC-515C	Female  1 = Black 2 = Blue 3 = Drain 4 = Brown 5 = White
			7.62 m		QDC-525C	
			15.2 m		QDC-550C	
			22.9 m		MAQDC-575C	
			30.5 m		MAQDC-5100C	
			38.1 m		MAQDC-5125C	
			45.7 m		MAQDC-5150C	

Used with: MINI-ARRAY, High-Resolution MINI-ARRAY

8-Pin Mini-Style Cordsets

Cordset Specs	Style	Dimensions (mm)	Length	Cable Diameter	Model	Pinout
Cable: PVC jacket, PUR (polyurethane) connector body Coupling Nut: Nylon Conductors: 20 AWG, PVC insulation, gold-plated contacts Voltage Rating: 250 V ac/300 V dc Temperature: -40° to +80° C Environmental Rating: IP67	Straight		4.51 m	6.90 mm	QDS-815C	Female  1 = Brown 2 = Or/Bk 3 = Orange 4 = White 5 = Black 6 = Blue 7 = Gn/Ye 8 = Violet
			7.62 m		QDS-825C	
			15.2 m		QDS-850C	
			22.9 m		QDS-875C	

Used with: EZ-SCREEN Receivers w/8-pin mini-style QD (Point & Grid), DUO-TOUCH SG Run Bar, EZAC Box w/8-pin mini-style QD

BNC Coaxial Video Cordsets

Cordset Specs	Style	Dimensions (mm)	Length	Cable Diameter	Model	Pinout
	Video Coaxial with BNC		1.83 m	6.00 mm	BNC06	
			4.57 m		BNC15	
			9.14 m		BNC30	
			14.6 m		BNC48	

Used with: Pro, P4

BNC to 4-Pin Threaded M8/Pico-Style Cordsets with Shield

Cordset Specs	Style	Dimensions (mm)	Length	Cable Diameter	Model	Pinout
Cable: PVC jacket, PUR (polyurethane) connector body Coupling Nuts: Nickel-plated brass on QD end Conductors: 26 AWG Voltage/Current Rating: 125 V ac/125 V dc, 4.0 A Temperature: -40° to +105° C Environmental Rating: IP67	BNC/ Pico QD Straight		2.00 m	4.40 mm	PKG4M-2/CS	Female
			5.00 m		PKG4M-5/CS	1 = Brown 3 = Blue 2 = Not Used 4 = Drain
			9.00 m		PKG4M-9/CS	Male

Used with: IP68 Sealed P4

Communication Cordsets

Cordset Specs	Style	Dimensions (mm)	Length	Cable Diameter	Model	Pinout
	5-Pin M12/ Euro-Style, Straight		1.83 m	5.60 mm	MQDMC-506	Male
			4.57 m		MQDMC-515	
			9.14 m		MQDMC-530	
	5-Pin M12/ Euro-Style, Right-Angle		1.83 m	5.60 mm	MQDMC-506RA	1 = Brown 2 = White 3 = Blue 4 = Black 5 = Gray
			4.57 m		MQDMC-515RA	
			9.14 m		MQDMC-530RA	

Used with: EZ-ARRAY to INTUSB485-1 USB Serial Adapter

DB9 Communication Cordsets

Style	Dimensions (mm)	Length	Cable Diameter	Model	Pinout
Male DB9/ Female DB9		1.83 m	6.00 mm	DB9P06	 Male
		4.57 m		DB9P15	
		9.14 m		DB9P30	
Male DB9/ Female DB9		3.00 m	5.00 mm	AG4-PCD9-3	 Female
		5.00 m		AG4-PCD9-5	
		10.0 m		AG4-PCD9-10	
Male DB9/ USB		1.00 m	4.6 mm	AG4-PCD9USB-1	 Male USB
Male DB9/ Female DB9		2.00 m	5.00 mm	MASC	 Female 2 = Transmit (TX) 3 = Receive (RX) 5 = Ground (GRD)

Used with: Pro, AG4, AG4 Serial-to USB Adapter, MINI-ARRAY, High-Resolution, MINI-ARRAY

DB15 Configuration/Machine Interface Cordsets

Style	Dimensions (mm)	Length	Cable Diameter	Model	Pinout
DB15		5.00 m	8.50 mm	AG4-CPD15-5	 Female
		10.0 m		AG4-CPD15-10	
		25.0 m		AG4-CPD15-25	
		25.0 m		AG4-CPD15-50W	

Used with: AG4

RJ45 Ethernet Cordsets

Style	Dimensions (mm)	Length	Cable Diameter	Model	Pinout
Cat5e Shielded		2.13 m	6.80 mm	STP07	 Male
Cat5e Crossover Shielded				STPX07	
Cat5e Shielded		7.62 m		STP25	
Cat5e Crossover Shielded				STPX25	
Cat5e Shielded		15.2 m		STP50	
Cat5e Crossover Shielded				STPX50	
Cat5e Shielded		22.9 m		STP75	
Cat5e Crossover Shielded				STPX75	

Used with: Pro, P4, SC22-3E

RJ45 Ethernet to 4-Pin Threaded M8/Pico-Style Cordsets

Style	Dimensions (mm)	Length	Cable Diameter	Model	Pinout
Cat5e Shielded		2.00 m	6.00 mm	IVUC-E-406	Male
		5.00 m		IVUC-E-415	
		9.00 m		IVUC-E-430	Female 1 = Blue 2 = White/Blue 3 = White/Orange 4 = Orange
		16.0 m		IVUC-E-450	
		23.0 m		IVUC-E-475	

Used with: iVu Plus

8-Pin Threaded M12/Euro-Style Cordsets with Shield

Style	Dimensions (mm)	Length	Cable Diameter	Model	Pinout
Straight		1.83 m	7.90 mm	STP-MAQDC-806	Male
		4.57 m		STP-MAQDC-815	
		9.14 m		STP-MAQDC-830	Male 1 = Wh/Bl 5 = Wh/Gr 2 = Wh/Br 6 = Wh/Or 3 = Brown 7 = Blue 4 = Orange 8 = Green

Used with: IP68 Sealed P4

5-Pin Threaded M12/Euro-Style Cordsets—Washdown Stainless Steel

Cordset Specs	Style	Dimensions (mm)	Length	Cable Diameter	Model	Pinout
Cable: PVC jacket and over-mold, EPDM o-ring Coupling Nut: Stainless steel coupling nut Conductors: 22 AWG, gold-plated contacts Voltage/Current Rating: 300 V dc, 4.0 A Temperature: -40 °C to +105 °C Environmental Rating: IP69K	Straight		1.83 m (6 ft)	4.80 mm	MQDC-WDSS-0506	Female 1 = Brown 2 = White 3 = Blue 4 = Black 5 = Gray
			4.57 m (15 ft)		MQDC-WDSS-0515	
			9.14 m (30 ft)		MQDC-WDSS-0530	

Used with: Q4X, Q3X

4-Pin Threaded M12/Euro-Style Cordsets—Washdown Stainless Steel

Cordset Specs	Style	Dimensions (mm)	Length	Cable Diameter	Model	Pinout
Cable: PVC jacket and over-mold, EPDM o-ring Coupling Nut: Stainless steel coupling nut Conductors: 22 AWG, gold-plated contacts Voltage/Current Rating: 300 V dc, 4.0 A Temperature: -40 °C to +105 °C Environmental Rating: IP69K	Straight		1.83 m (6 ft)	4.80 mm	MQDC-WDSS-0406	Female 1 = Brown 2 = White 3 = Blue 4 = Black
			4.57 m (15 ft)		MQDC-WDSS-0415	
			9.14 m (30 ft)		MQDC-WDSS-0430	

Used with: QM26

Molex for Cascading

Cordset Specs	Style	Dimensions (mm)	Length	Cable Diameter	Model	Pinout
Cable: PVC Black Coupling Nut: Slide Snap	Straight		0.15 m	6.6 mm	LQMAEC-3005SS	
			0.31 m		LQMAEC-301SS	
			0.91 m		LQMAEC-303SS	
			1.83 m		LQMAEC-306SS	
			3.66 m		LQMAEC-312SS	
			6.10 m		LQMAEC-320SS	
			9.14 m		LQMAEC-330SS	

Used with: Q4X, Q3X

Molex to Power

Cordset Specs	Style	Dimensions (mm)	Length	Cable Diameter	Model	Pinout
Cable: PVC Coupling Nut: Slide Snap	Straight		3.0 m	6.6 mm	LQMAC-306B	

Used with: Q4X, Q3X

QD End-Caps

Cordset Specs	Style	Dimensions (mm)	Model
Replace or convert EZ-SCREEN Grid and Point hard-wire terminal chamber end cap to QD model.	8-pin Euro QD	Converts terminal chamber end cap to QD model	EZA-QDE-8E
	8-pin Euro QD		EZA-QDR-8E

Used with: EZ-SCREEN Emitters w/Terminal Chamber (Point & Grid), EZ-SCREEN Receivers w/Terminal Chamber (Point & Grid)

Unterminated Bulk Cable

Cordset Specs	Dimensions (mm)	Length	Model v
Cable: PVC jacket Conductors: 20 AWG, PVC insulation Voltage Rating: 250V ac/300V dc Temperature: -40° to +80° C	3-conductor (Brown, Blue, Green/Yellow)	7.6 m	UTB-325C
		15.2 m	UTB-350C
		30.4 m	UTB-3100C
		76.2 m	UTB-3250C
	5-conductor (Black, Blue, Brown, White, Green/Yellow)	7.6 m	UTB-525C
		15.2 m	UTB-550C
		30.4 m	UTB-5100C
		76.2 m	UTB-5250C
	8-conductor (Brown, Orange/Black, Orange, White, Black, Blue, Violet, Green/Yellow)	7.6 m	UTB-825C
		15.2 m	UTB-850C
		30.4 m	UTB-8100C
		76.2 m	UTB-8250C

Used with: EZ-SCREEN Emitters w/Terminal Chamber (Point & Grid), EZAC Interface Boxes, EZ-SCREEN Emitters w/Terminal Chamber & TEST (Point & Grid), EZAC Interface Boxes, EZ-SCREEN Receivers w/Terminal Chamber (Point & Grid), EZAC Interface Boxes, DUO-TOUCH SG Run Bars

Cable Glands

Cordset Specs	Dimensions (mm)	Cable Diameter	Model	Size
Secures the cable end in the housing and seals the point of connection Available for EZ-SCREEN Point and Grid, rope pulls and safety interlock switches		3.0 to 8.0 mm	SI-QS-CG13	PG13.5 Plastic
		3.0 to 8.0 mm	SI-QS-CGM16	M16 x 1.5 Plastic
		5.0 to 12.0 mm	SI-QS-CGM20	M20 x 1.5 Plastic
		5.0 to 12.0 mm	SI-QM-CGM20	M20 x 1.5 Metal

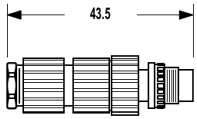
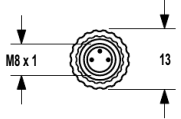
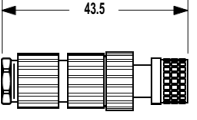
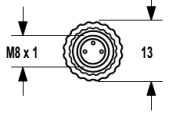
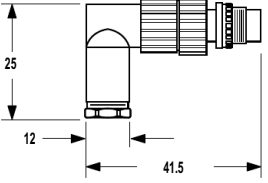
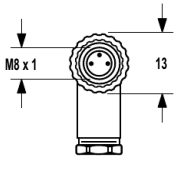
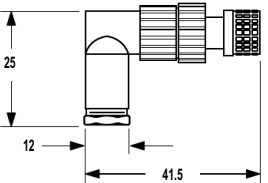
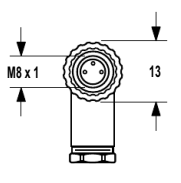
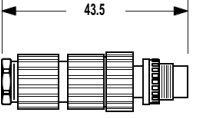
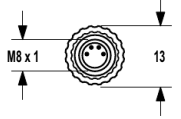
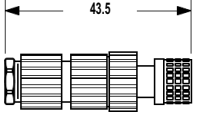
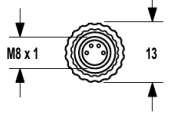
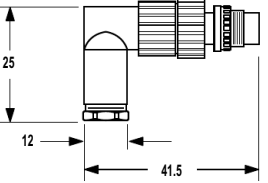
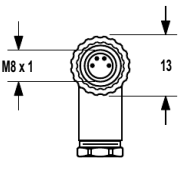
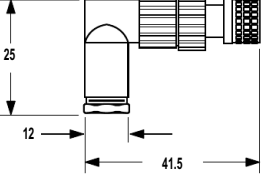
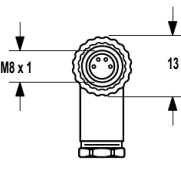
Used with: EZ-SCREEN w/Terminal Chamber (Point & Grid), SI-QS75 Safety Interlock Switches, SI-LS83 Safety Interlock Switches, • SI-QS90 Safety Interlock Switches, SI-LS100 Safety Interlock Switches, SI-LS31 Safety Interlock Switches, SI-LS42 Safety Interlock Switches, RP-LS42 Rope Pull Switches, • SI-LM40 Safety Interlock Switches, SI-QM100 Safety Interlock Switches, SI-LM40 Safety Interlock Switches, RP-RM83 Rope Pull Switches, RP-LM40 Rope Pull Switches, RP-QM72/QMT72 Rope Pull Switches, RP-QM90 Rope Pull Switch

Cable Glands

Cordset Specs	Dimensions (mm)	Thread Conversion	Model	Size
Connects conduit of different diameters Available for EZ-SCREEN Point and Grid, rope pulls and safety interlock switches		PG 13.5 to 1/2" NPT	SI-QM-13	1/2" NPT to PG13.5 Metal
		PG 13.5 to M20	SI-QM-13-M20	M20 to PG13.5 Metal
		M16 x 1.5 to 1/2" - 14 NPT	SI-QS-M16	1/2" - 14 NPT Plastic
		M20 x 1.5 to 1/2" - 14 NPT	SI-QS-M20	1/2" - 14 NPT Plastic
		M20 x 1.5 to 1/2" - 14 NPT	SI-QM-M20	1/2" - 14 NPT Metal

Used with: EZ-SCREEN w/Terminal Chamber (Point & Grid), EZ-SCREEN w/Terminal Chamber (Point & Grid), SI-QS75 Safety Interlock Switches, SI-LS83 Safety Interlock Switches, SI-QS90 Safety Interlock Switches, SI-LS100 Safety Interlock Switches, SI-LS31 Safety Interlock Switches, SI-LS42 Safety Interlock Switches, RP-LS42 Rope Pull Switches, • SI-LM40 Safety Interlock Switches, SI-QM100 Safety Interlock Switches, SI-LM40 Safety Interlock Switches, RP-RM83 Rope Pull Switches, RP-LM40 Rope Pull Switches, RP-QM72/QMT72 Rope Pull Switches, RP-QM90 Rope Pull Switch

Pico-Style Field-Wireable Connectors (M8)

Cordset Specs	Style	Dimensions (mm)	Model	Pinout
<p>Contacts: Gold-plated, rated 60V ac/dc max., 4.0 A max. Cable Diameter: 4.0 to 5.0 mm Temperature: -25° to +70° C Environmental Rating: NEMA 6P, IP67</p>	3-Pin Male Straight		FIC-M8M3	
	3-Pin Female Straight		FIC-M8F3	
	3-Pin Male Right-Angle		FIC-M8M3A	
	3-Pin Female Right-Angle		FIC-M8F3A	
	4-Pin Male Straight		FIC-M8M4	
	4-Pin Male Straight		FIC-M8F4	
	4-Pin Male Right-Angle		FIC-M8M4A	
	4-Pin Female Right-Angle		FIC-M8F4A	

Euro-Style Field-Wireable Connectors (M12)

Cordset Specs	Style	Dimensions (mm)	Model	Pinout
<p>Contacts: Gold-plated; 4-pin models rated 250V ac/dc max., 4.0 A max.; 5-pin models rated 50V ac/dc max., 4.0 A max. Cable Diameter: 4.0 to 5.0 mm Temperature: -25° to +90° C Environmental Rating: NEMA 6P, IP67</p>	4-Pin Male Straight		FIC-M12M4	
	4-Pin Female Straight		FIC-M12F4	
	4-Pin Male Right-Angle		FIC-M12M4A	
	4-Pin Female Right-Angle		FIC-M12F4A	
	5-Pin Male Straight		FIC-M12M5	
	5-Pin Female Straight		FIC-M12F5	

Euro-Style Field-Wireable Connectors (M12)

Cordset Specs	Style	Dimensions (mm)	Model	Pinout
<p>Contacts: Gold-plated; 4-pin models rated 250V ac/dc max., 4.0 A max.; 5-pin models rated 50V ac/dc max., 4.0 A max. Cable Diameter: 4.0 to 5.0 mm Temperature: -25° to +90° C Environmental Rating: NEMA 6P, IP67t</p>	5-Pin Male Right-Angle		FIC-M12M5A	
	5-Pin Female Right-Angle		FIC-M12F5A	