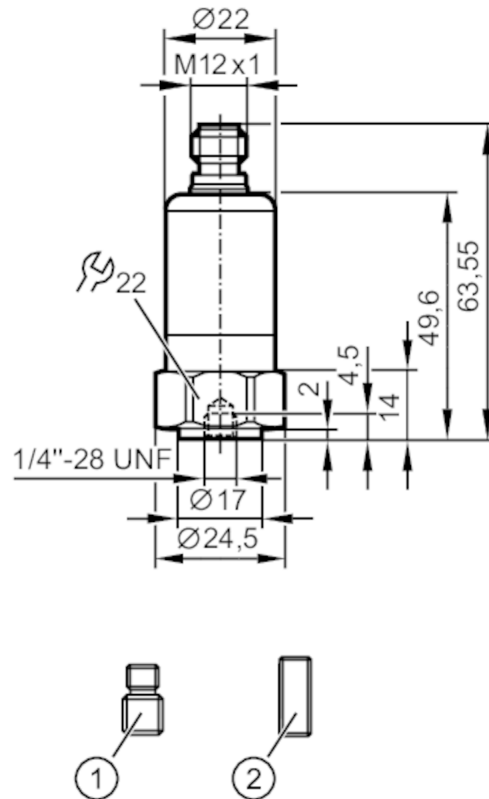


VTV122



Vibration transmitter

VIBRATION TRANSMITTER



- 1 set screw 1/4"-28 UNF / M8 x 1.25 mm
 - 2 set screw 1/4"-28 UNF
- Tightening torque 8 Nm



Product characteristics

Measuring range of vibration [mm/s]	0...25; (RMS)
Frequency range [Hz]	10...1000

Application

Application	vibration transmitter to ISO 10816
-------------	------------------------------------

Electrical data

Operating voltage [V]	9.6...32 DC
Protection class	III
Sensor type	microelectromechanical system (MEMS)

Inputs / outputs

Total number of inputs and outputs	1
------------------------------------	---

Outputs


Analogue current output [mA]	4...20
Max. load [Ω]	< (U _b - 9,6 V) x 50; U _b = 24 V: 720

VTV122



Vibration transmitter

VIBRATION TRANSMITTER

Measuring/setting range		
Measuring range of vibration [mm/s]	0...25; (RMS)	
Frequency range [Hz]	10...1000	
Number of measurement axes	1	
Accuracy / deviations		
Measuring error [% of the final value]	< ± 3	
Repeatability	< 0,5; (% of the final value)	
Linearity deviation	0,25 %	
Operating conditions		
Ambient temperature [°C]	-30...125	
Note on ambient temperature	UL application: < 80 °C	
Storage temperature [°C]	-30...125	
Protection	IP 67; IP 68; IP 69K	
Tests / approvals		
EMC	EN 61000-6-2	
	EN 61000-6-3	
Shock resistance	DIN EN 60068-2-27	50 g 11 ms
		500 g 1 ms
Vibration resistance	DIN EN 60068-2-6	20 g / 10...3000 Hz
MTTF [years]		868
Mechanical data		
Weight [g]		123.5
Type of mounting		set screw
Materials		stainless steel (1.4404 / 316L)
Tightening torque [Nm]		8
Accessories		
Items supplied		set screw: 1 x 1/4"-28 UNF / M8 x 1,25 mm
		set screw: 1 x 1/4"-28 UNF
Remarks		
Pack quantity		1 pcs.
Electrical connection		
Connector: 1 x M12; coding: A		
		

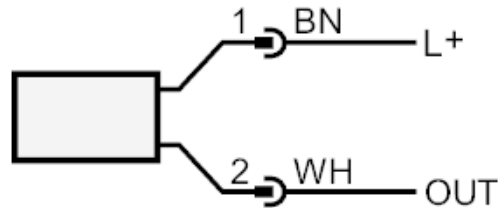
VTV122



Vibration transmitter

VIBRATION TRANSMITTER

Connection



1	L+
2	4...20 mA