

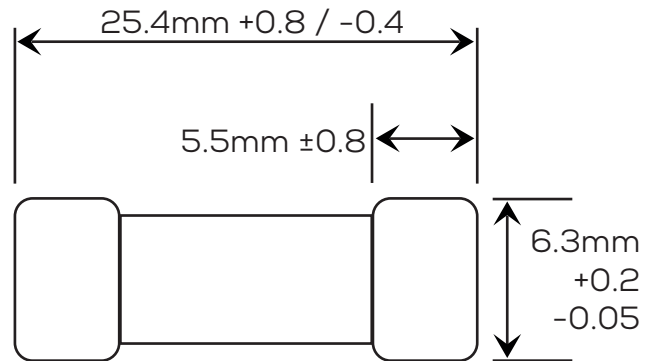
BS1362 Fuses | Kempston Controls

Brand: Safe

1/411 x 111 fast/medium British plug top fuse
Ceramic tube - end caps: silver-plated copper

Packaging: x1000

Weight: 2.2g ± 0.15g (3A to 13A inclusive)



Limits for Pre-arcing Time			
	1.0In	1.6In	1.9In
In	MIN	MIN	MAX
3A-13A	1000hrs	30min	30min

Rated Current	Rated Volt AC	Breaking Capacity	Power Dissipation Max	Colour	Approvals
1A 2A 3A 5A 7A 10A 13A	240 (264 Max)	6000A 264VAC 50Hz p.f 0.3-0.4	1 Watt	Red Black Brown	Asta PSB SIRIM

240VAC
BS1362

Complies with EU Directive 2002/95/EC(RoHS)



Kempston Controls

Shirley Road, Rushden, Northamptonshire, NN10 6BZ

Tel: +44 (0) 1933 411411

www.kempstoncontrols.co.uk