



Electronic Tachometer with Calculation Functions

Characteristics of device

Technology	μP - device
Model	Pulse valuation can be programmed from 0.0001 to 9999.99
	Sensor logic can be programmed
	Frequencies processed up to 40 kHz
	Precise measurement due to phase evaluation
	Measurement according to measurement of length of period

Order designation

- 1 Voltage 24 / 48 VAC
- 2 Voltage 115 / 230 VAC
- 3 Voltage 24 VDC 5% residual ripple

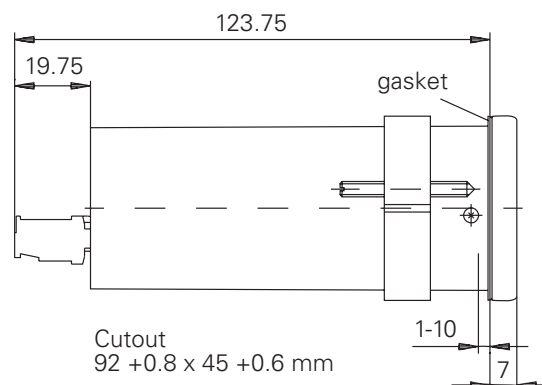
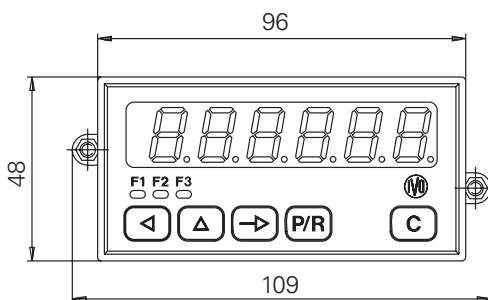
TA 201.00 AXA1

Application

Two tachometers will allow to capture and display, for example, the rotational speed and speed at "F1" and "F2" as well as to use a calculation function programmed by the user that can be selected via "F3" and displayed.

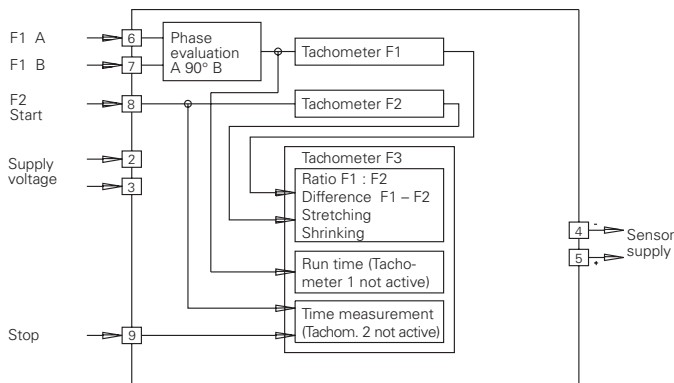
It is possible to display ratio, difference, stretching / shrinking, run time, time measurement with start and stop signal, length of period, pulse duration or measurement of pulse rate via the calculation functions.

Dimensions and cutout size



TA 201

Block diagram



Electrical data

Supply voltage	Choice of two voltages via switch on device. Always set to higher voltage when supplied. 115 ± 10% / 230 VAC ± 10% (50 / 60 Hz) 24 / 48 VAC ± 10% (50 / 60 Hz) 24 VDC ± 10% 5% residual ripple
Power consumption	7 VA, 5 W
Sensor supply	12 ... 26 VDC / max. 100 mA
Signal inputs	Comparator inputs PNP, NPN, Sinus or NAMUR without explosion protection Voltage level 4 ... 40 V Input resistance 3 kOhm
Input frequency	F1/F2 10 kHz / 40 kHz or 25 Hz
Control inputs	Control inputs for Start, Stop
Data back-up	> 10 years via EEPROM

Ambient conditions

Ambient temperature	0 ... + 50 °C
Storage temperature	- 20 ... + 70 °C
Relative humidity	Max. relative humidity 80 %, at 25 °C, non-condensing
Protection	Front IP 65 to DIN 40050
Operational requirements	To contamination factor 2
Classification	According to EN 61010 Category II
Interference immunity	EN 50 082 - 2 Severity grade 2 - 3
Emitted interference	EN 50 081 - 2
General rating	EN 61 010
Overvoltage protection	II

Mechanical data

Display	7-segment LED-display 6-digit display of real values, 14 mm high Decimal point can be programmed Suppression of leading zero
Operation, keypad	Front membrane with short-stroke keys
Front dimensions	DIN housing 96 x 48 mm
Mounting	Front-plate installation
Fastening	By means of clamping frame
Weight	Version AC: approx. 350 g Version DC: approx. 250 g
Connection	Plug-in screw terminals Grid 5.08 mm
Core cross-section	Max. 1.5 mm ²
Housing material	Polycarbonate black, UL 94V-0
Front membrane	Polyester

Pin assignment

