
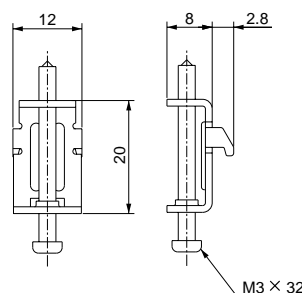

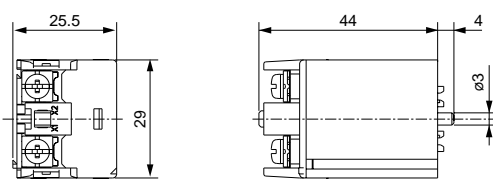

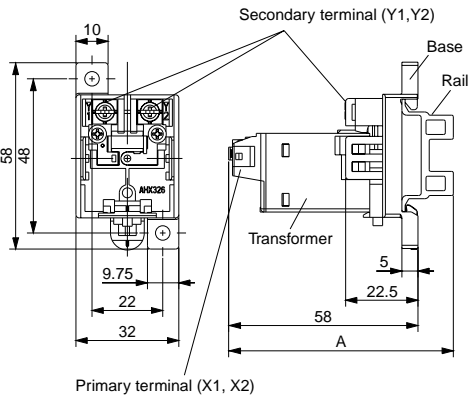


Multi Display Lights AP30F and AP40F Accessories

Description	Type and dimensions, mm																						
Mounting bracket  AF00-384	Type APX111																						
Transformer unit  SF-1111	Type AX511-□ AX503-□ AX544-□		Note: Replace the □ mark in the type number with the voltage code. 																				
<table border="1"> <tr> <td>Voltage</td> <td>100 to 110V</td> <td>115 to 127V</td> <td>200 to 220V</td> <td>230 to 254V</td> <td>350 to 380V</td> <td>400 to 440V</td> <td>480</td> </tr> <tr> <td>Code</td> <td>H</td> <td>L</td> <td>M</td> <td>Q</td> <td>S</td> <td>T</td> <td>V</td> </tr> </table>			Voltage	100 to 110V	115 to 127V	200 to 220V	230 to 254V	350 to 380V	400 to 440V	480	Code	H	L	M	Q	S	T	V					
Voltage	100 to 110V	115 to 127V	200 to 220V	230 to 254V	350 to 380V	400 to 440V	480																
Code	H	L	M	Q	S	T	V																
Base unit for separate mounting transformer  AF89-824	Type AHX326		Remarks • If the power supply voltage is 100V AC or over (or more than 220V for R or CR voltage-dividing types) and the panel has limited depth or there are weight limitations, a full-voltage type can be used with a separate mounted transformer, as shown in the following table below. • A base unit is required when combining with a transformer unit. Mounting is possible using screws or rail.																				
<table border="1"> <tr> <td>Rail type</td> <td>A (mm)</td> </tr> <tr> <td>TH35-15AL</td> <td>69</td> </tr> <tr> <td>TH35-7.5, AH35-7.5AL</td> <td>61.5</td> </tr> </table>			Rail type	A (mm)	TH35-15AL	69	TH35-7.5, AH35-7.5AL	61.5															
Rail type	A (mm)																						
TH35-15AL	69																						
TH35-7.5, AH35-7.5AL	61.5																						

■ Separate mounted transformer application table

Used with	LED specification				Incandescent specification			
	Applicable light type	Built-in unit	Transformer unit	Separate base	Applicable light type	Built-in light bulb	Transformer unit	Separate base
AP30F	AP30F-◇◆E3-● AP30F-◇◆ES-●	DN7Q001-□□□□ DN7Q004-□□□□	AHX544-□ × No. of windows	AHX326 × No. of windows	AP30F-◇◆A-●	AHX135 (6.3 V 1W bulb)	AHX511-□ × No. of windows	AHX326 × No. of windows
AP40F	AP40F-◇◆E3-● AP40F-◇◆ES-●	DN8Q001-□□□□ DN8Q004-□□□□			AP40F-◇◆C-●	AHX141 (18 V 2W bulb)	AHX503-□ × No. of windows	

- Notes: 1. Replace ◇◆ mark by the number of basic windows. ◇◆ = vertical x horizontal
 2. Replace ● mark by the code indicating the shape of illuminated face (S, T, or V, do not specify H).
 3. The following depths are available. AP30F-◇◆E3: 60.5mm AP30F-◇◆ES: 52mm AP30F-◇◆A: 54mm
 AP40F-◇◆E3: 60.5mm AP40F-◇◆ES: 52mm AP40F-◇◆C: 54mm
 4. Refer to pages 04/249 and 04/250 for built-in unit types with LED specifications.