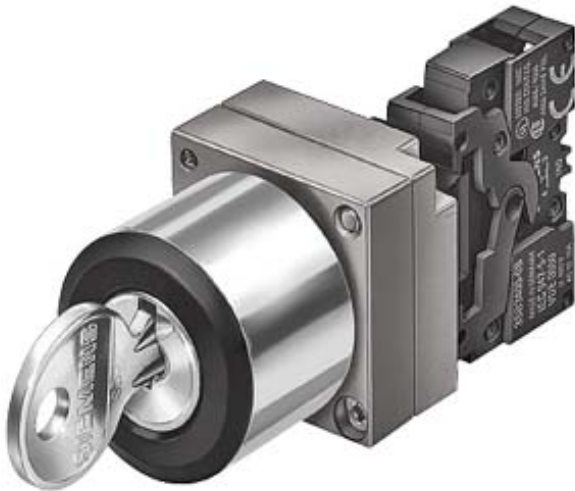


22MM ROUND METAL COMPLETE UNIT COMBINATION: RONIS LOCK WITH 2 KEYS MAINTAINED CONTACT 2 SWITCH POSITIONS O-I SCREW CONNECTION, 1NO+1NC LOCK NUMBER SB 30, REMOVE O+I WITH HOLDER POSSIBLE SPECIAL LOCKS FOR RONIS KEYSWITCHES: SB31, 455, 421 !!! Phased-out product !!! SIRIUS ACT 3SU1 is successor Preferred successor type is >>3SU1150-4BF11-1FA0<<



Design of the product	Complete unit round
<b>Enclosure</b>	
Shape of the enclosure front	round
Material of the enclosure	metal
Number of command points	1
<b>Actuator</b>	
Design of the operating mechanism	Key-operated switch
Manner of function of the actuating element	Latching
Product extension optional Light source	No
Color	
• of the actuating element	Silver
Material of the actuating element	metal
Type of unlocking device	key unlatching
Number of switching positions	2
Switch position for key distraction	O+I
Actuating angle	
• clockwise	50°
Lock make	RONIS

Front ring	
Product component front ring	Yes
Design of the front ring	Standard
Material of the front ring	metal
Color of the front ring	silver

Holder	
Material of the holder	Metal

Contact block/ lampholder	
Number of lampholders	0
Number of switching elements	1

General technical data	
Product function	
• positive opening	Yes
Product component	
• Light source	No
Type of voltage	
• of the operating voltage	AC/DC
Protection class IP	IP67
Vibration resistance	
• acc. to IEC 60068-2-6	20 ... 200 Hz: 5g
Operating frequency maximum	1 000 1/h
Mechanical service life (switching cycles)	
• typical	300 000
Reference code acc. to DIN 40719 extended according to IEC 204-2 acc. to IEC 750	S
Operating voltage	
• rated value	5 ... 400 V

Auxiliary circuit	
Number of NC contacts	
• for auxiliary contacts	1
Number of NO contacts	
• for auxiliary contacts	1
Number of CO contacts	
• for auxiliary contacts	0
Operating current at AC-12	
• at 24 V rated value	10 A
• at 48 V rated value	10 A
• at 110 V rated value	10 A
• at 230 V rated value	10 A
• at 400 V rated value	10 A
Operating current at AC-15	

• at 24 V rated value	6 A
• at 48 V rated value	6 A
• at 110 V rated value	6 A
• at 230 V rated value	6 A
• at 400 V rated value	3 A
<b>Operating current at DC-12</b>	
• at 24 V rated value	10 A
• at 48 V rated value	5 A
• at 110 V rated value	2.5 A
• at 230 V rated value	1 A
<b>Operating current at DC-13</b>	
• at 24 V rated value	3 A
• at 48 V rated value	1.5 A
• at 110 V rated value	0.7 A
• at 230 V rated value	0.3 A

#### Connections/Terminals

<b>Type of electrical connection</b>	screw-type terminals
<b>Tightening torque of the screws in the bracket</b>	1.4 ... 1.6 N·m

#### Ambient conditions

<b>Ambient temperature</b>	
• during operation	-25 ... +70 °C
• during storage	-40 ... +80 °C
Environmental category during operation acc. to IEC 60721	3K6

#### Installation/ mounting/ dimensions

<b>Mounting type</b>	front mounting
<b>Shape of the installation opening</b>	round
<b>Mounting diameter</b>	22 mm
<b>Mounting height</b>	44 mm
<b>Installation width</b>	28.5 mm
<b>Installation depth</b>	63 mm

#### Accessories

<b>Product component holder for 3 switching elements</b>	No
--	----

#### Certificates/approvals

General Product Approval				Declaration of Conformity	Test Certificates
 CCC	 CSA	 UL		 EG-Konf.	<a href="#">Special Test Certificate</a>

Marine / Shipping				other	
 ABS	 LRS	 PRS	 RINA	<a href="#">Confirmation</a>	<a href="#">Environmental Confirmations</a>

other
<a href="#">Miscellaneous</a>

### Further information

**Information- and Downloadcenter (Catalogs, Brochures,...)**  
<http://www.siemens.com/industrial-controls/catalogs>

**Industry Mall (Online ordering system)**  
<https://mall.industry.siemens.com/mall/en/en/Catalog/product?mlfb=3SB3601-4AD11>

**Cax online generator**  
<http://support.automation.siemens.com/WW/CAXorder/default.aspx?lang=en&mlfb=3SB3601-4AD11>

**Service&Support (Manuals, Certificates, Characteristics, FAQs,...)**  
<https://support.industry.siemens.com/cs/ww/en/ps/3SB3601-4AD11>

**Image database (product images, 2D dimension drawings, 3D models, device circuit diagrams, EPLAN macros, ...)**  
[http://www.automation.siemens.com/bilddb/cax\\_de.aspx?mlfb=3SB3601-4AD11&lang=en](http://www.automation.siemens.com/bilddb/cax_de.aspx?mlfb=3SB3601-4AD11&lang=en)

last modified: 07/27/2018